



US00D790341S

(12) **United States Design Patent**
Ross et al.

(10) **Patent No.:** **US D790,341 S**
(45) **Date of Patent:** **** Jun. 27, 2017**

- (54) **BOTTLE POUR SPOUT**
- (71) Applicant: **R&G Products, LLC**, St. Louis, MO (US)
- (72) Inventors: **Richard Ross**, St. Louis, MO (US);
Mark J. Gettemeyer, St. Louis, MO (US)
- (73) Assignee: **R&G Products, LLC**, St. Louis, MO (US)
- (**) Term: **15 Years**
- (21) Appl. No.: **29/574,797**
- (22) Filed: **Aug. 18, 2016**
- (51) **LOC (10) Cl.** **09-07**
- (52) **U.S. Cl.**
USPC **D9/447**
- (58) **Field of Classification Search**
USPC D9/415, 434, 435, 440, 446-450, 452, D9/453, 454, 455-457, 499; D7/387, D7/388, 396.2, 396.4, 396.6, 398, 403, D7/509, 510, 511; D3/202, 203.2, 247, D3/294, 304, 318; D28/91.1; D8/343, D8/346, 352, 382, 397, 399
CPC .. A61J 1/00; A61J 1/1412; B65D 1/00; B65D 1/02; B65D 1/10; B65D 1/46; B65D 2585/56; B65D 41/00; B65D 41/56; B65D 41/62; B65D 47/06; B65D 47/08; B65D 2543/00046; B65D 2543/00092; B65D 2543/00296
See application file for complete search history.

- (56) **References Cited**
U.S. PATENT DOCUMENTS
1,732,080 A * 10/1929 Boe B65D 25/48
222/478
2,642,207 A * 6/1953 Renzi B65D 47/06
215/309

- 2,753,090 A * 7/1956 Fay B65D 47/0885
141/306
- 2,825,495 A 3/1958 Fazio
- 3,096,899 A * 7/1963 Woodburn B65D 47/06
222/571
- 3,149,762 A * 9/1964 Decker B65D 39/12
215/309
- D200,364 S * 2/1965 Brody D9/447
- 3,190,511 A 6/1965 Daly
- 3,338,482 A 8/1967 Jordan
- 3,386,626 A 6/1968 Kearney
- 3,966,099 A * 6/1976 Sanford, Jr. B67D 3/00
222/478
- 4,116,371 A 9/1978 Towns et al.
- 4,452,381 A 6/1984 Freeman
- 4,925,128 A * 5/1990 Brody B05B 11/047
222/211
- D327,848 S * 7/1992 Hanover 215/388
- 5,211,318 A * 5/1993 Govatzidakis B65D 47/06
222/479

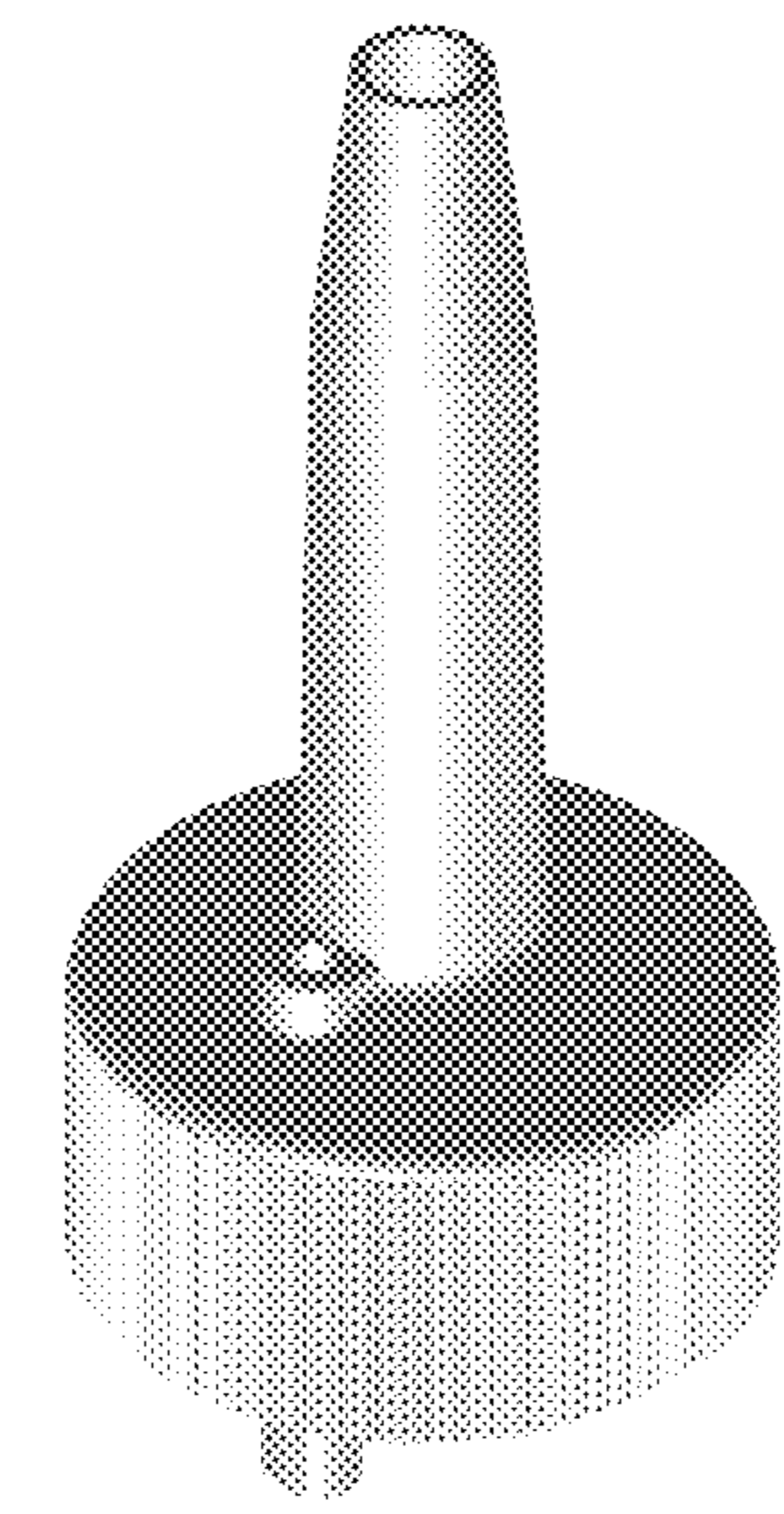
(Continued)

Primary Examiner — Karen S Acker
Assistant Examiner — Wendy Arminio
(74) *Attorney, Agent, or Firm* — Thompson Coburn LLP

(57) **CLAIM**
The ornamental design for a bottle pour spout, as shown and described.

DESCRIPTION
FIG. 1 is a front view of the design.
FIG. 2 is a rear view of the design.
FIG. 3 is a left view of the design.
FIG. 4 is right view of the design.
FIG. 5 is a bottom view of the design.
FIG. 6 is a top view of the design.
FIG. 7 is a perspective view showing the front, top and left sides of the design; and,
FIG. 8 is a perspective view showing the rear, bottom and left sides of the design.

1 Claim, 7 Drawing Sheets



(56)

References Cited

U.S. PATENT DOCUMENTS

5,388,712 A * 2/1995 Brody B65D 47/061
 215/229
 D409,914 S * 5/1999 Mark D24/152
 6,131,775 A * 10/2000 Brody B65D 47/061
 215/274
 D464,265 S * 10/2002 Elliot D9/504
 D468,205 S * 1/2003 Pierce D9/440
 D484,801 S * 1/2004 Pierce D9/440
 D625,602 S * 10/2010 Schrimpf D9/447
 7,971,761 B1 * 7/2011 Kudlu A61M 3/0245
 222/481.5
 D643,721 S * 8/2011 Blinn D9/440
 D701,764 S * 4/2014 Brower D9/440
 D712,741 S * 9/2014 Vukelic D9/435
 9,394,089 B2 * 7/2016 Silvers B65D 47/06
 2005/0194402 A1 * 9/2005 Morrison B65D 51/248
 222/113
 2006/0000855 A1 * 1/2006 Allen B65D 47/06
 222/484
 2007/0023460 A1 2/2007 Ochen Diehl
 2012/0091171 A1 * 4/2012 Lovelace, III B65D 47/127
 222/562
 2015/0060499 A1 3/2015 Silvers et al.
 2015/0266715 A1 * 9/2015 Wittrup B67D 3/0041
 222/25

* cited by examiner

FIG. 1



FIG. 2

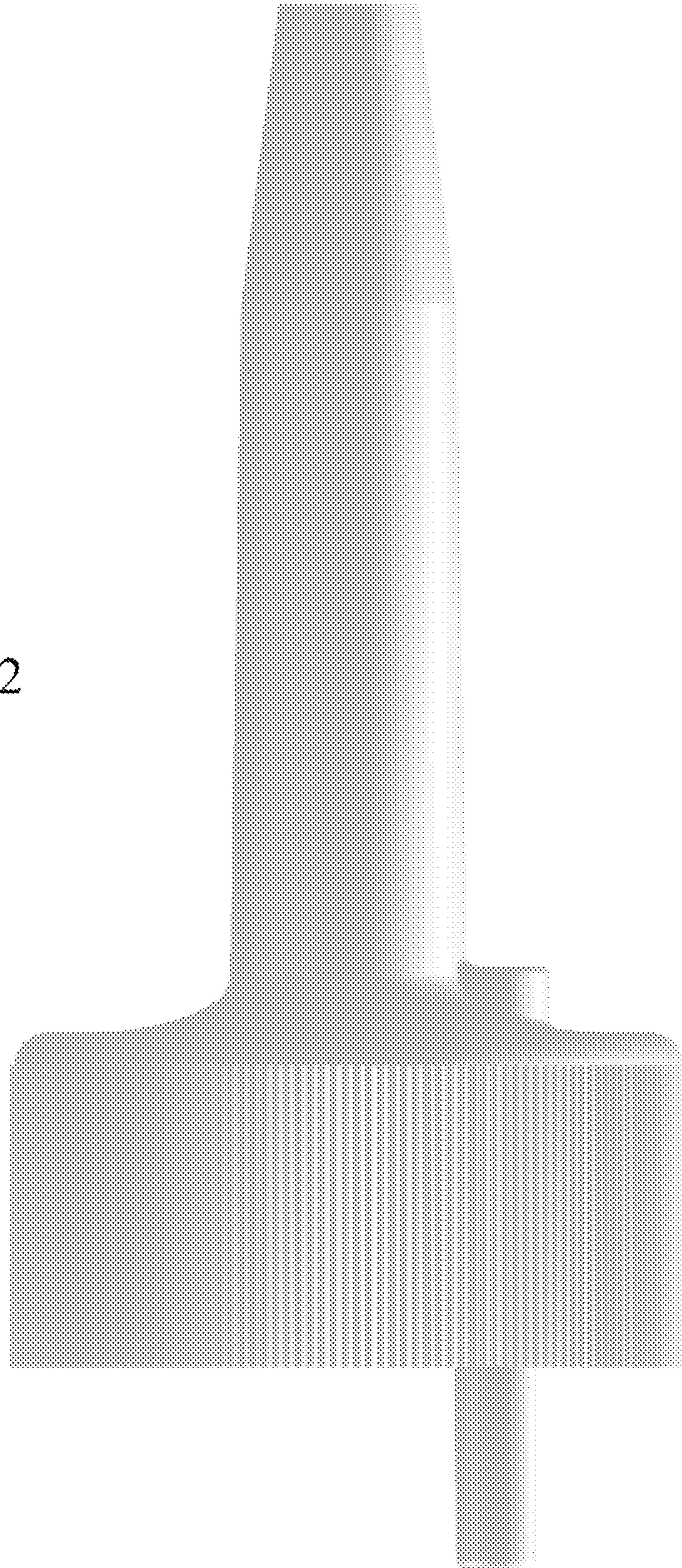


FIG. 3

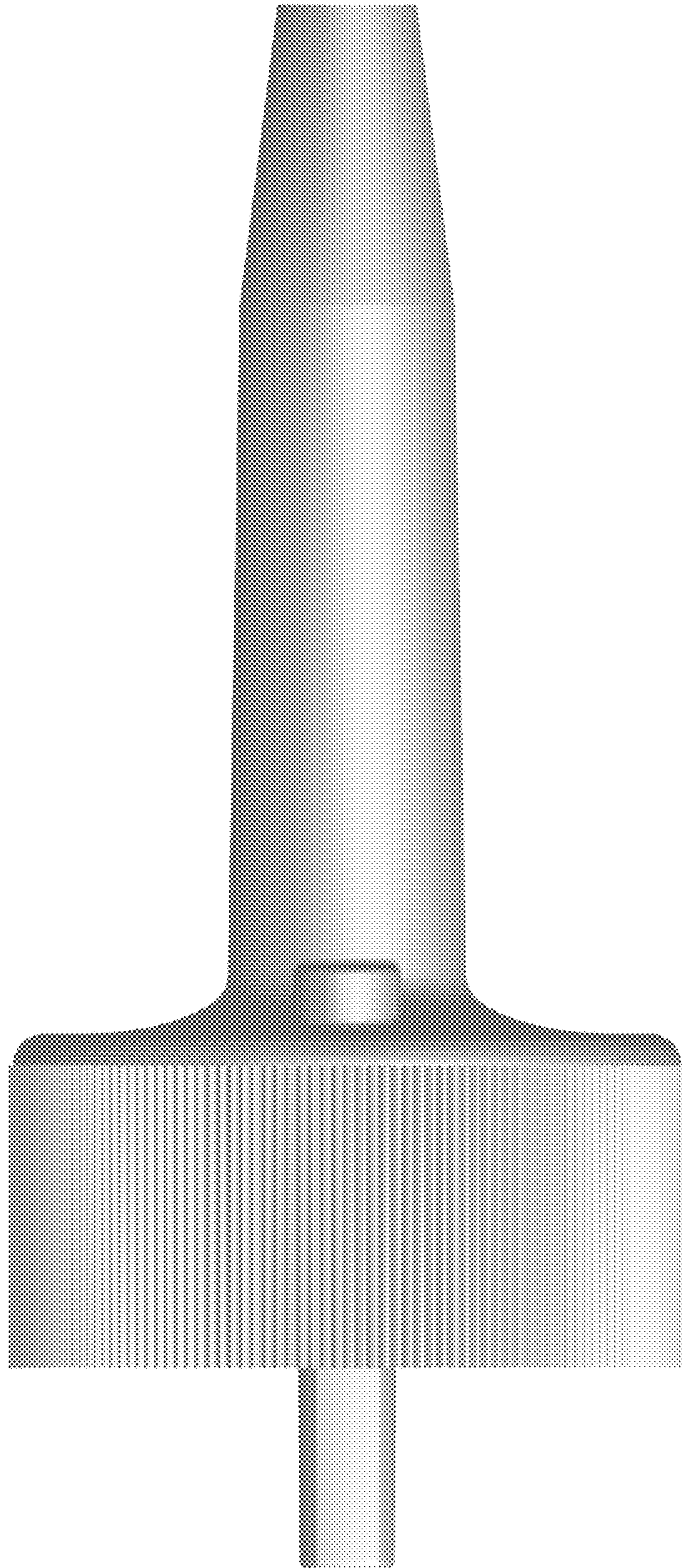
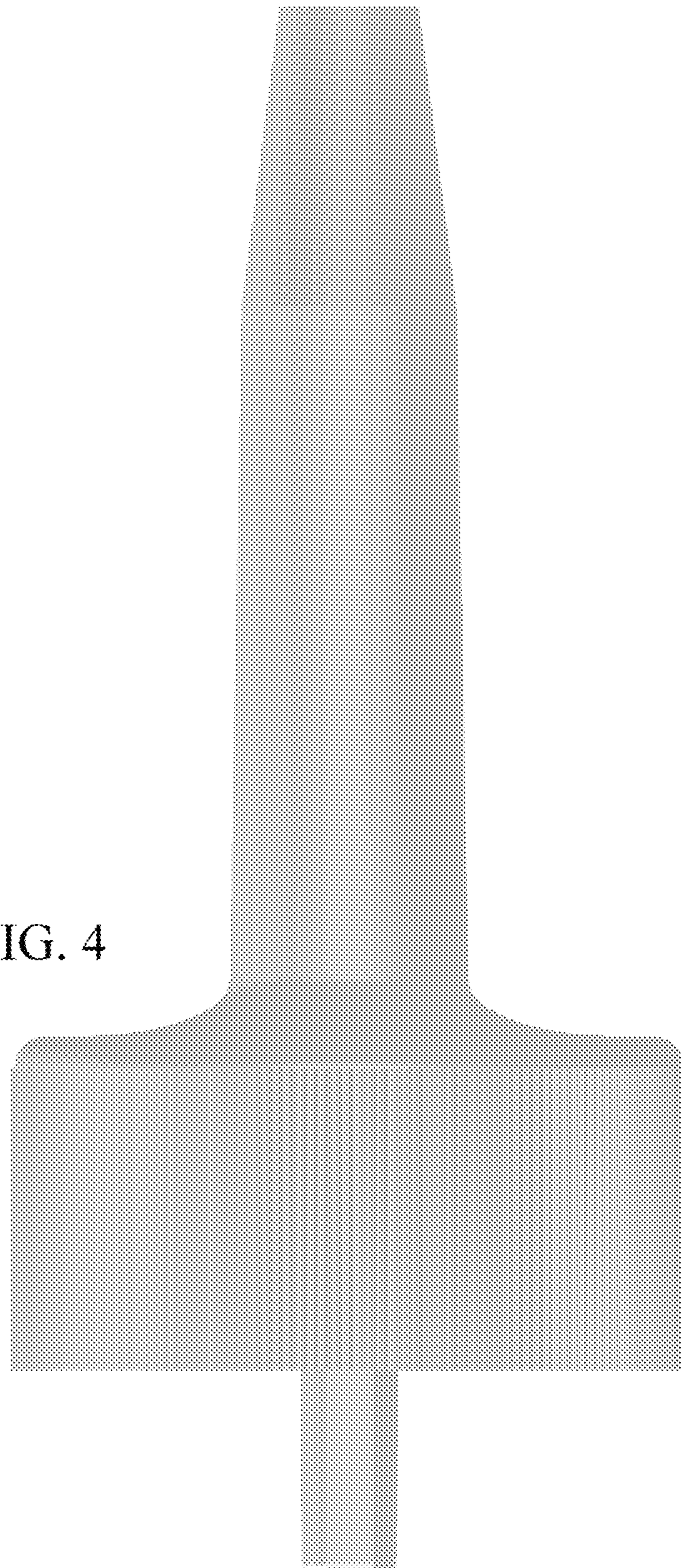


FIG. 4



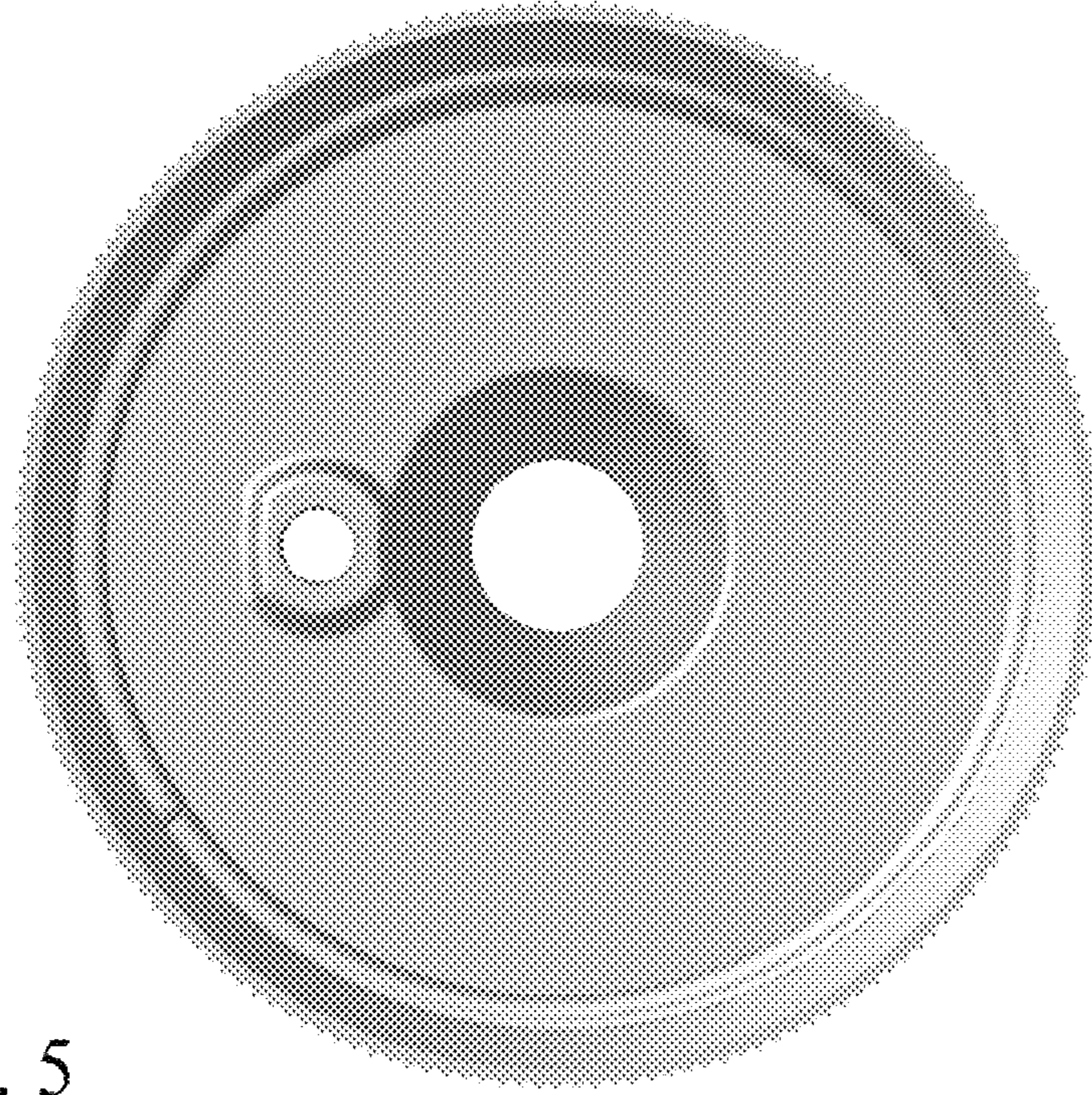


FIG. 5



FIG. 6

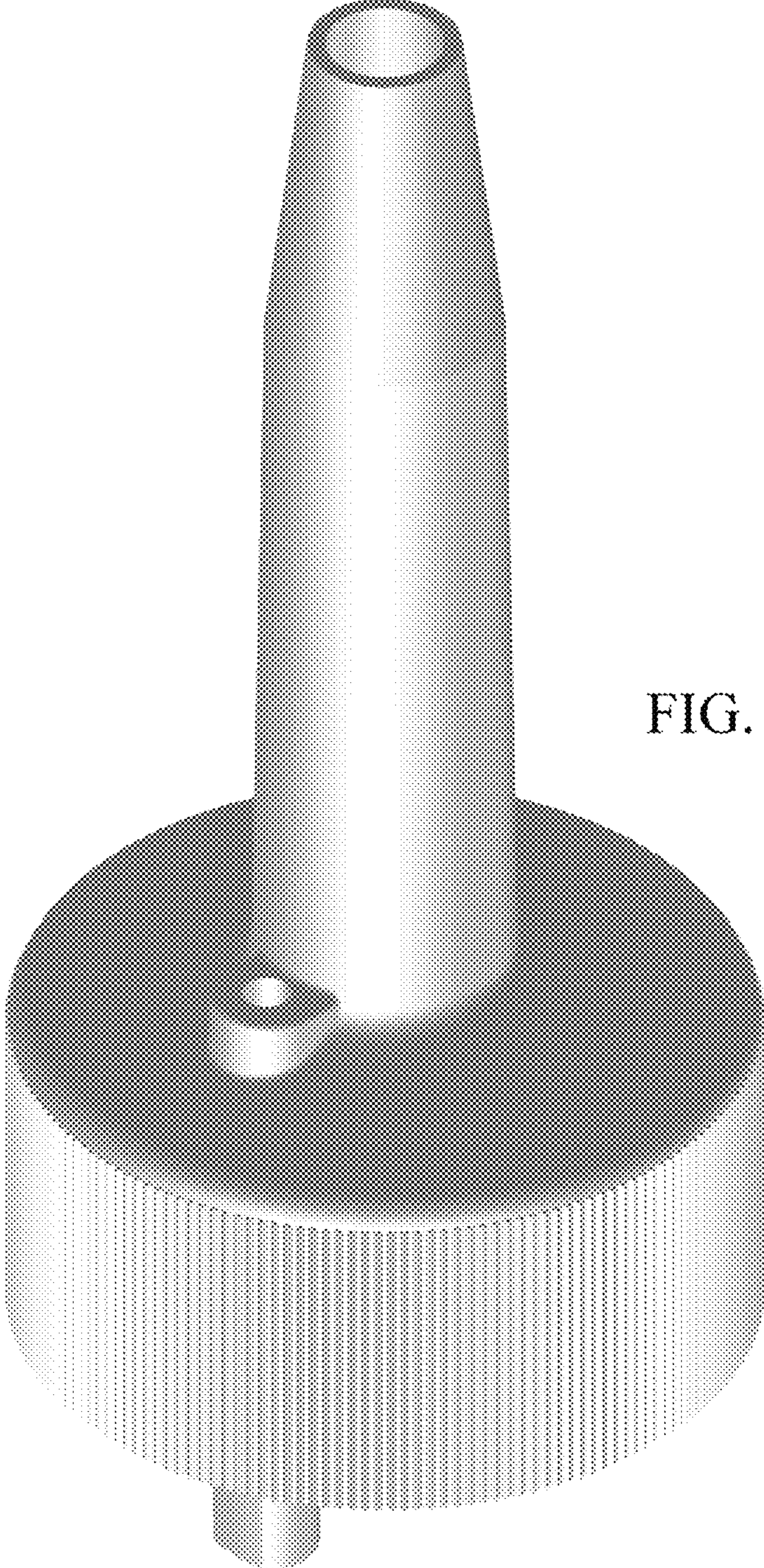


FIG. 7

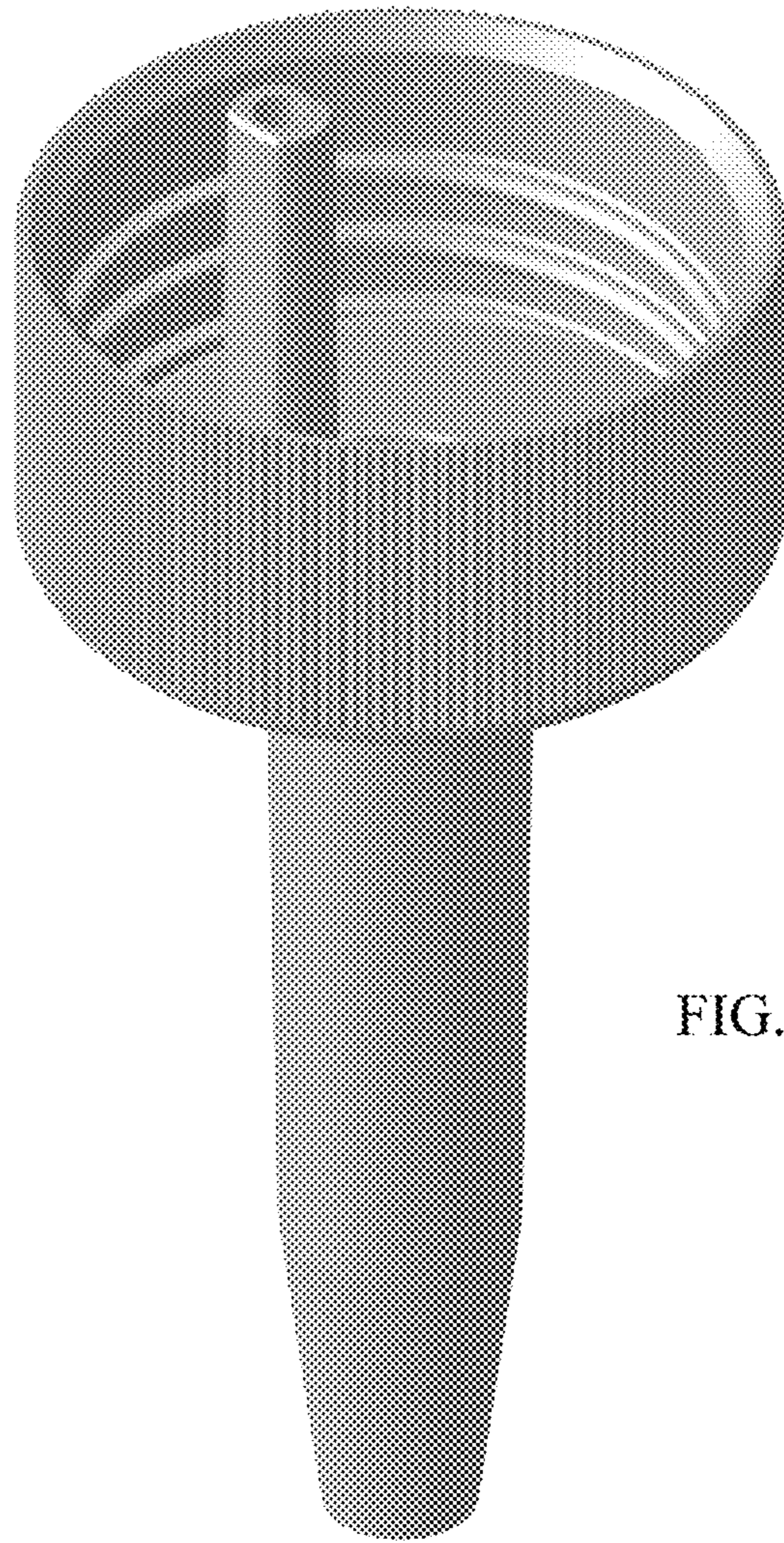


FIG. 8