

US00D790340S

(12) **United States Design Patent**  
**McCoy et al.**

(10) **Patent No.:** **US D790,340 S**  
(45) **Date of Patent:** **\*\* Jun. 27, 2017**

- (54) **LOCKING SECURITY RING FOR PHARMACY BOTTLES**
- (71) Applicant: **CVS Pharmacy, Inc**, Woonsocket, RI (US)
- (72) Inventors: **Ryan P. McCoy**, Falcon Heights, MN (US); **Stacy Abel**, Maple Grove, MN (US); **Matthew P. Franks**, Austin, MN (US); **Adam D. Hoppus**, Minneapolis, MN (US); **Duane Sawyer**, York, PA (US); **Gordon Beecroft**, Leola, PA (US); **John Vassallo**, Lititz, PA (US); **Michael Makhlof**, Lititz, PA (US)

D28,746 S *	5/1898	Blount	.....	D9/434
605,213 A	6/1898	Weller		
D30,094 S *	1/1899	Busch	.....	D26/152
D30,338 S *	3/1899	Mann	.....	D9/434
624,701 A	5/1899	Stevenson		
716,793 A	12/1902	Vogeler		
D45,565 S	4/1914	Lloyd		
1,181,098 A	4/1916	Lambert		
1,289,218 A	12/1918	Maiden		
1,411,510 A	4/1922	Peterson		
1,499,612 A	7/1924	Hammer		
1,554,191 A	9/1925	Alexander		
1,653,608 A	12/1927	Allen		
1,686,354 A	10/1928	Wallace		
1,769,147 A	7/1930	Lennon		
1,815,268 A	7/1931	Newbery		
1,850,369 A	3/1932	Andrews		
1,991,871 A	2/1935	Sindler		
1,993,978 A	3/1935	Plochman		
2,007,685 A	7/1935	Lyle		
2,110,768 A	3/1938	Kellogg		
D128,282 S	3/1941	Gelinas et al.		
2,270,277 A	1/1942	Dowd		
D132,185 S	4/1942	McIntosh		
2,328,806 A	9/1943	Hooper		
2,528,259 A	10/1950	Annuziata		
2,659,614 A	11/1953	Cook et al.		
2,794,545 A	6/1957	Olson		
2,844,893 A	7/1958	Keller		
2,847,971 A	8/1958	Painter		
2,908,985 A	10/1959	Hartman		
2,920,777 A	1/1960	Cole		
2,961,108 A	11/1960	Johnson		
2,995,265 A	8/1961	Soderberg		
D199,766 S	12/1964	Lorenzen		
3,256,978 A	6/1966	Srigley et al.		
3,298,671 A	1/1967	Popma et al.		
3,331,521 A	7/1967	Paige		
3,423,861 A	1/1969	Forsyth		
3,433,378 A	3/1969	Ross		
3,437,194 A	4/1969	Ames et al.		
3,464,576 A	9/1969	Rohde		
3,625,547 A	12/1971	Burke		
3,628,266 A	12/1971	Wise et al.		
3,757,994 A	9/1973	Skoetsch		
D230,137 S	1/1974	Bettonica		
3,787,993 A	1/1974	Lyon		
3,822,780 A	7/1974	Ulmer et al.		
3,826,222 A	7/1974	Romick		
3,850,326 A	11/1974	Ryles		
3,901,400 A	8/1975	Westfall		
3,923,180 A	12/1975	Fields		
3,996,879 A	12/1976	Walton		

- (\*\*) Term: **15 Years**
- (21) Appl. No.: **29/531,280**
- (22) Filed: **Jun. 24, 2015**

**Related U.S. Application Data**

- (63) Continuation of application No. 14/524,910, filed on Oct. 27, 2014, now Pat. No. 9,085,396, which is a continuation of application No. 13/281,338, filed on Oct. 25, 2011, now Pat. No. 8,870,004.

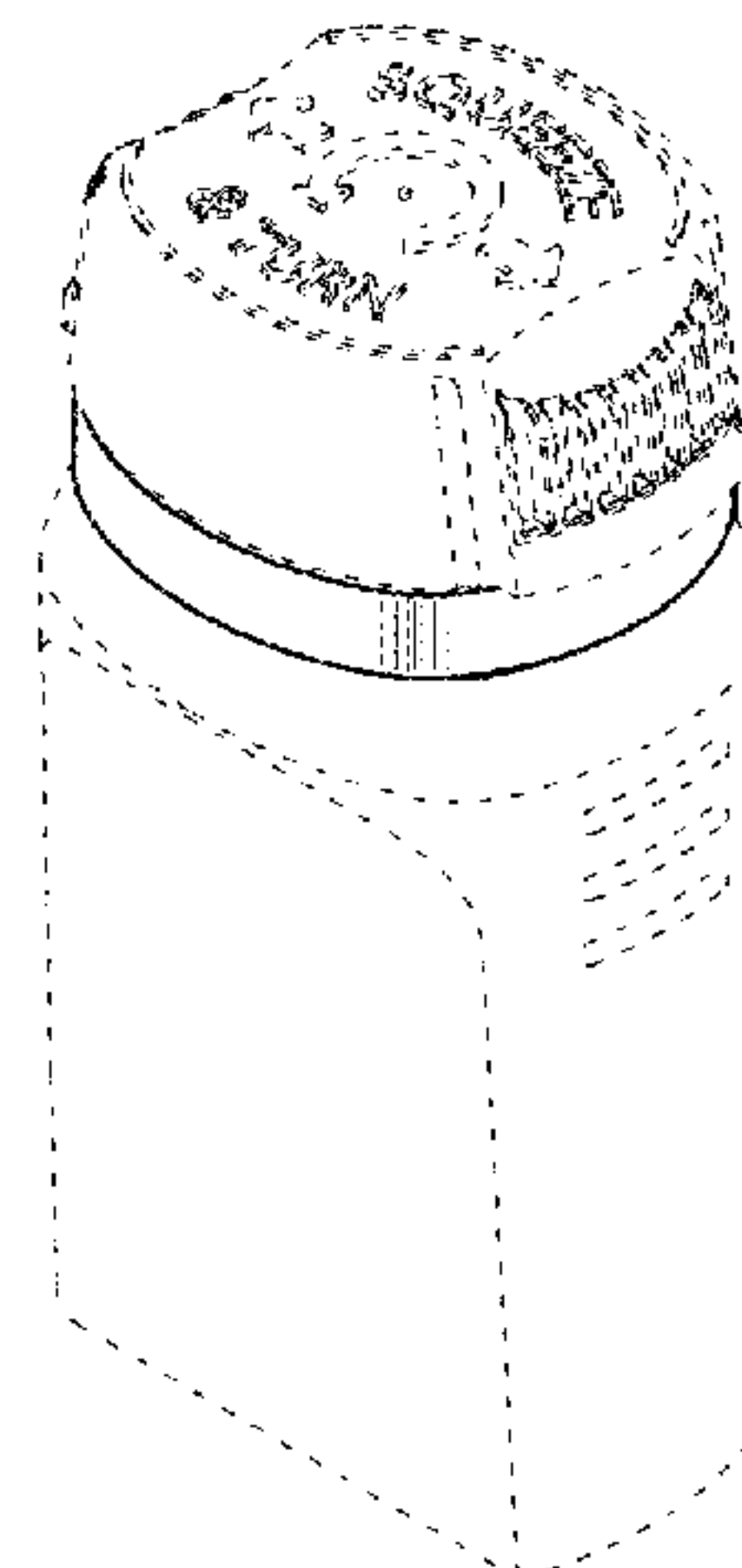
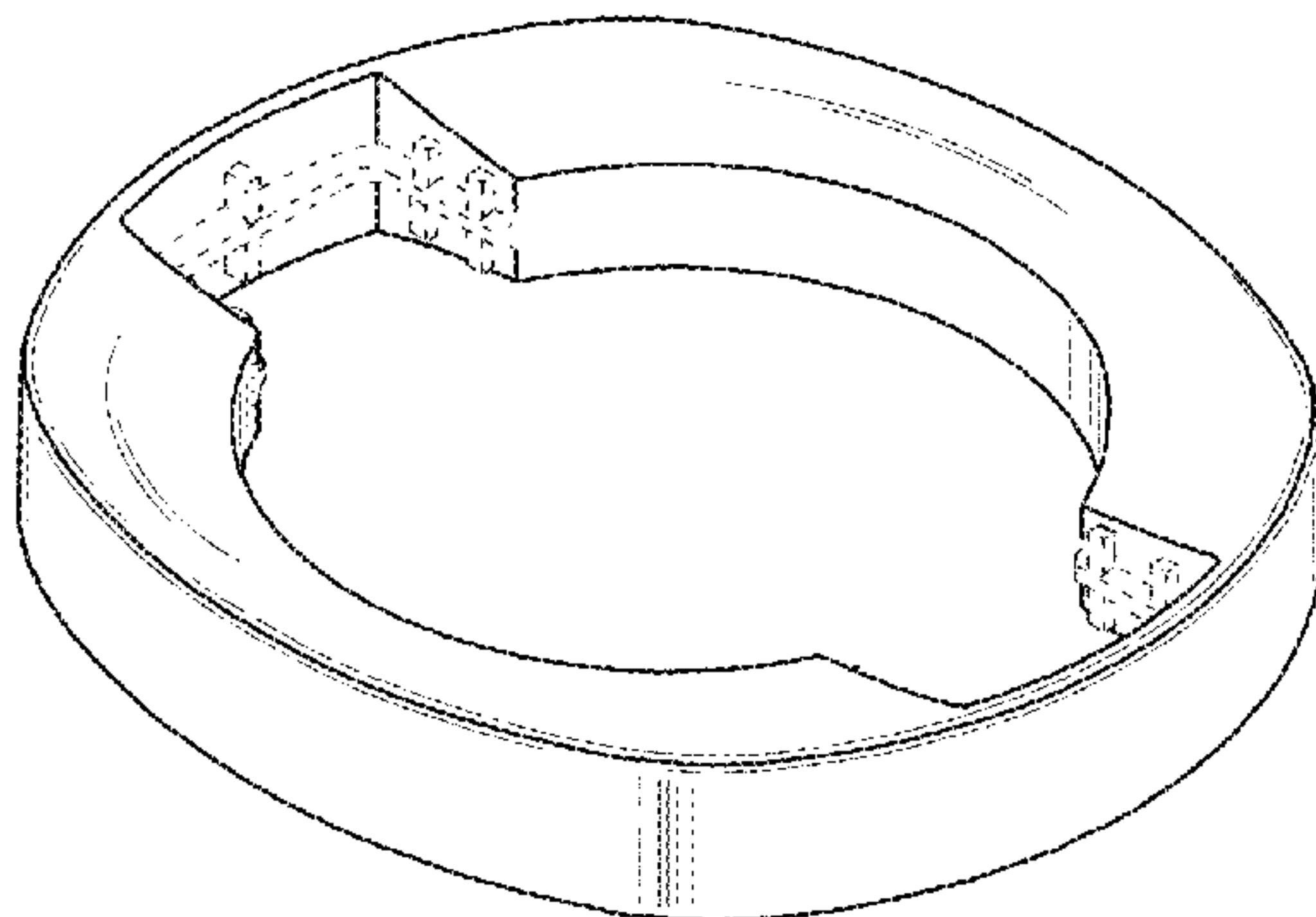
- (51) **LOC (10) Cl.** ..... **09-01**
- (52) **U.S. Cl.**  
USPC ..... **D9/443**

- (58) **Field of Classification Search**  
USPC ..... D9/434, 435, 436, 437, 443, 444, 445, D9/449, 452, 453, 454, 455, 456, 499; D11/3, 4; D30/152; 53/420; D24/121, D24/128, 129, 224  
CPC ..... B65D 39/00; B65D 41/00; B65D 50/048  
See application file for complete search history.

(56) **References Cited**

**U.S. PATENT DOCUMENTS**

D11,149 S	4/1879	Hood
D18,997 S	4/1889	Underhill
406,017 A	6/1889	Woodward et al.
493,851 A	3/1893	Adsit



# US D790,340 S

4,022,352 A	5/1977	Pehr	5,301,802 A	4/1994	Nemeroff
4,044,889 A	8/1977	Orentreich et al.	5,301,840 A	4/1994	Sun
4,064,645 A	12/1977	Wood	5,309,279 A	5/1994	Halstead
4,099,639 A	7/1978	Boxer et al.	D348,836 S *	7/1994	McCallum ..... D7/397
RE29,793 E	10/1978	Pehr	5,342,093 A	8/1994	Weernink
4,143,786 A	3/1979	Goldberg et al.	D350,691 S	9/1994	Simion
4,150,760 A	4/1979	d'Orgelys	5,343,647 A	9/1994	Bulka
4,154,355 A	5/1979	Shackelford	5,346,069 A	9/1994	Intini
D255,054 S	5/1980	Kingsford	D351,796 S	10/1994	Deddens
4,203,240 A	5/1980	Goodwin	5,351,991 A	10/1994	McDonald
4,238,033 A	12/1980	Artzt	5,379,927 A	1/1995	Montenieri et al.
4,246,709 A	1/1981	Selleslags	D355,125 S	2/1995	Patel et al.
4,263,734 A	4/1981	Bradshaw	D355,126 S	2/1995	Paulovich et al.
4,284,200 A	8/1981	Bush et al.	D355,363 S	2/1995	Iorii et al.
4,285,489 A	8/1981	Blanchard	5,386,795 A	2/1995	Bartholomew
4,334,638 A	6/1982	Stock	5,403,636 A	4/1995	Crum
D266,146 S	9/1982	Morris	D360,134 S	7/1995	Snyder
D269,315 S	6/1983	Conti	5,448,844 A	9/1995	Miller, Jr. et al.
D270,998 S	10/1983	Stark	5,476,420 A	12/1995	Manning
4,428,384 A	1/1984	Raitto	5,495,944 A	3/1996	Lermer
D274,309 S	6/1984	Aldrich, III	D370,636 S	6/1996	Crawford
4,482,068 A	11/1984	Agbay et al.	5,555,655 A	9/1996	Yager et al.
4,535,903 A	8/1985	Franchi	5,588,239 A	12/1996	Anderson
D280,601 S	9/1985	Biesecker	5,601,314 A	2/1997	Burns et al.
D281,228 S	11/1985	Morgan et al.	5,632,420 A	5/1997	Lohrman et al.
4,567,991 A	2/1986	Anderson	5,642,906 A	7/1997	Footo et al.
D282,909 S	3/1986	Biesecker	5,660,138 A	8/1997	Hirsch
4,606,481 A	8/1986	Conti et al.	5,662,224 A	9/1997	Nogues
D285,535 S	9/1986	Buchholz et al.	5,662,239 A	9/1997	Heuvelman
4,640,031 A	2/1987	Hoek et al.	5,687,863 A	11/1997	Kusz
D293,034 S	12/1987	duCret	5,697,173 A	12/1997	McCarrick et al.
4,732,411 A	3/1988	Siegel	5,699,922 A	12/1997	Harding
D295,024 S	4/1988	Trick	D389,064 S	1/1998	Sethi et al.
D295,954 S	5/1988	Kirchhoff	5,704,144 A	1/1998	Groth
4,753,358 A	6/1988	Virca et al.	5,704,648 A	1/1998	Brown et al.
4,799,712 A	1/1989	Biava et al.	5,711,442 A	1/1998	Kusz
4,802,438 A	2/1989	DeJonge	5,713,681 A	2/1998	Venne et al.
D300,119 S	3/1989	Pacquin	5,718,347 A	2/1998	Walker et al.
4,813,570 A	3/1989	Pontoppidan	5,719,828 A	2/1998	Haas et al.
4,819,351 A	4/1989	Boitani	5,729,922 A	3/1998	Peterson et al.
4,827,643 A	5/1989	Hearst et al.	5,730,292 A	3/1998	Jones
4,860,899 A	8/1989	McKee	5,758,440 A	6/1998	Yudin
4,863,026 A	9/1989	Perkowski	5,760,975 A	6/1998	DiGiovanni
4,868,027 A	9/1989	Hunkeler et al.	D395,828 S	7/1998	Lecoule
4,881,648 A	11/1989	Hagerty	5,779,072 A	7/1998	Krebs
4,883,180 A	11/1989	Humphrey et al.	5,788,974 A	8/1998	D'Amico et al.
D305,505 S	1/1990	Kunesh	5,799,815 A	9/1998	Lang
4,890,742 A	1/1990	Allison	5,800,144 A	9/1998	Glenn et al.
4,913,083 A	4/1990	Valvo et al.	5,819,967 A	10/1998	Lo
4,918,604 A	4/1990	Baum	5,829,789 A	11/1998	Treleaven et al.
4,919,285 A	4/1990	Roof et al.	5,836,465 A	11/1998	King
4,941,573 A	7/1990	Fuerstman	D402,550 S	12/1998	Poisson
D311,681 S	10/1990	Aggarwal	5,887,736 A	3/1999	Mar
4,972,657 A	11/1990	McKee	5,918,758 A	7/1999	Galton-Fenzi
D312,776 S	12/1990	Taconelli	D413,067 S	8/1999	Haley
4,991,877 A	2/1991	Lieberman	5,980,352 A	11/1999	Rigberg
5,011,032 A	4/1991	Rollman	6,003,902 A	12/1999	Petkovsek
5,020,682 A	6/1991	Dutt	D419,077 S	1/2000	Sultan
D319,181 S	8/1991	Balavich	6,016,930 A	1/2000	Mathes et al.
5,048,870 A	9/1991	Mangni et al.	6,023,865 A	2/2000	Preuss
D323,780 S	2/1992	Addante	D423,361 S	4/2000	Negre
D324,994 S	3/1992	Jentgen	D425,427 S	5/2000	Heeter
5,102,169 A	4/1992	Mayfield	6,068,300 A	5/2000	Vijuk et al.
D328,010 S	7/1992	Daenen et al.	D427,073 S	6/2000	Gaffney et al.
D328,246 S	7/1992	Nottingham et al.	6,081,392 A	6/2000	Pensmith
5,145,080 A	9/1992	Imbery, Jr.	6,086,702 A	7/2000	Rea
5,165,546 A	11/1992	Jaeger et al.	6,089,180 A	7/2000	Nichols, Jr.
5,172,936 A	12/1992	Sullivan et al.	6,105,801 A	8/2000	Minnette
5,178,311 A	1/1993	McBride	D430,802 S	9/2000	Adachi et al.
D333,618 S	3/1993	Patel et al.	6,127,013 A	10/2000	Todd
D333,882 S	3/1993	Yazaki	6,158,779 A	12/2000	Petrick
5,193,032 A	3/1993	Hirth	6,196,593 B1	3/2001	Petrick et al.
5,204,775 A	4/1993	McDevitt	6,209,921 B1	4/2001	Hogan et al.
5,213,225 A	5/1993	King et al.	6,220,439 B1	4/2001	Virvo
5,215,334 A	6/1993	Presson et al.	6,226,564 B1	5/2001	Stuart
5,261,702 A	11/1993	Mayfield	6,241,844 B1	6/2001	Petkovsek
D342,452 S	12/1993	Monaghan	D445,338 S	7/2001	Helleu
D343,360 S	1/1994	Poo	6,253,958 B1	7/2001	Coletti
5,284,363 A	2/1994	Gartner et al.	6,270,121 B1	8/2001	Dolan et al.



# US D790,340 S

6,276,725 B1	8/2001	Laurash et al.	D602,785 S	10/2009	Rothberg et al.
6,278,545 B1	8/2001	Napier	7,621,413 B2	11/2009	Miota et al.
D447,694 S	9/2001	Leggett	7,628,427 B2	12/2009	Adler et al.
D451,809 S	12/2001	Jones	D607,326 S	1/2010	Branson et al.
6,360,462 B1	3/2002	Mengel	7,661,384 B2	2/2010	Mataya
D456,271 S	4/2002	Maloney	7,661,533 B2	2/2010	Adler et al.
6,366,401 B1	4/2002	Gonda et al.	D616,303 S	5/2010	Gonzalez
6,367,639 B1	4/2002	Mar	D620,356 S	7/2010	Greenfield
6,367,640 B1	4/2002	Julian	D623,056 S *	9/2010	Sessa ..... D11/26
6,379,007 B1	4/2002	Farb	D623,061 S *	9/2010	Wong ..... D9/454
D457,063 S	5/2002	Bakic	D623,518 S	9/2010	Camomile
6,386,367 B1	5/2002	Bayliss, IV	7,942,451 B2	5/2011	Adler
D459,212 S	6/2002	Gobe	7,980,391 B2	7/2011	Adler et al.
6,402,872 B1	6/2002	Key	8,025,314 B2	9/2011	Adler
6,491,164 B1	12/2002	Virvo	8,051,999 B2	11/2011	Carmody et al.
D470,051 S	2/2003	Bloom et al.	8,104,618 B2	1/2012	Sadler et al.
D470,415 S	2/2003	Weber	8,210,351 B2	7/2012	Miceli et al.
6,549,345 B1	4/2003	Cardarelli	8,240,491 B2	8/2012	Beecroft et al.
D474,690 S	5/2003	Bakic	8,281,929 B2	10/2012	Franks et al.
6,568,530 B2	5/2003	Takahashi et al.	D673,852 S	1/2013	Wood et al.
6,594,928 B1	7/2003	Clawson et al.	D675,097 S	1/2013	Burke, Jr.
D480,002 S	9/2003	Canepa	8,371,463 B2	2/2013	Beecroft
D480,005 S	9/2003	Conway	D679,994 S	4/2013	Dahl
6,621,629 B2	9/2003	Blumenthal et al.	D681,465 S	5/2013	Cox et al.
D480,960 S	10/2003	Gray et al.	8,534,220 B1	9/2013	Olson
D481,165 S	10/2003	Angeletta	D691,473 S	10/2013	Smith et al.
6,669,804 B2	12/2003	Pendry et al.	D700,843 S	3/2014	Shaw
D485,764 S	1/2004	Bakic	8,752,705 B2	6/2014	Adler et al.
6,681,945 B1	1/2004	Harrold	D714,146 S	9/2014	King
6,698,605 B2	3/2004	Clodfelter et al.	D723,919 S	3/2015	Taber et al.
6,712,398 B1	3/2004	Fox et al.	D731,170 S	6/2015	Priebe et al.
6,722,495 B2	4/2004	Fresnel	D752,975 S *	4/2016	Gatto ..... D9/434
D489,622 S	5/2004	Weber	D755,045 S *	5/2016	Kuo ..... D9/445
6,745,505 B2	6/2004	Moran	D755,056 S	5/2016	Terrasi
6,752,272 B2	6/2004	Jones et al.	2001/0017817 A1	8/2001	De La Huerga
6,789,497 B1	9/2004	Aiken	2002/0020088 A1	2/2002	Kreutner
D497,311 S	10/2004	Walsh et al.	2002/0041091 A1	4/2002	Eippert
6,854,613 B2	2/2005	Biesecker et al.	2002/0063739 A1	5/2002	Gosden et al.
6,860,390 B2	3/2005	Bowman	2002/0088732 A1	7/2002	Takahashi et al.
6,860,513 B2	3/2005	Kaufman	2002/0126585 A1	9/2002	Osberg et al.
6,868,627 B2	3/2005	Elias	2002/0129758 A1	9/2002	Hanley et al.
6,871,752 B2	3/2005	Montgomery	2002/0162261 A1	11/2002	West et al.
6,923,376 B2	8/2005	Gosden et al.	2002/0171238 A1	11/2002	Kozlowski et al.
6,951,353 B2	10/2005	Kozlowski et al.	2003/0025320 A1	2/2003	Shoemaker
D511,456 S	11/2005	Forte	2003/0028392 A1	2/2003	Davies
6,964,345 B2	11/2005	Wetherell, Jr. et al.	2003/0091687 A1	5/2003	Copelan
D514,942 S	2/2006	Weber	2003/0127351 A1	7/2003	Takahashi et al.
D520,365 S	5/2006	Andoh	2003/0147450 A1	8/2003	Witonsky et al.
D522,867 S	6/2006	Bakic	2003/0192211 A1	10/2003	Elias
7,061,831 B2	6/2006	De La Huerga	2003/0193181 A1	10/2003	Hung
D526,569 S	8/2006	Wurster et al.	2003/0193185 A1	10/2003	Valley et al.
7,128,227 B2	10/2006	Skillin et al.	2003/0205897 A1	11/2003	Kaufman
D532,697 S	11/2006	Francis	2003/0214129 A1	11/2003	Adler
D537,349 S	2/2007	Ball et al.	2004/0045863 A1	3/2004	Rhoades
D539,651 S	4/2007	Snyder	2004/0050750 A1	3/2004	Hannan et al.
D540,179 S	4/2007	Adler et al.	2004/0056479 A1	3/2004	Fox et al.
D540,690 S	4/2007	Adler et al.	2004/0075272 A1	4/2004	Kaufman
D541,159 S	4/2007	Robinson	2004/0169000 A1	9/2004	Ramsey
D542,661 S	5/2007	Adler et al.	2004/0193454 A1	9/2004	Footo et al.
7,222,736 B1	5/2007	Seijas	2004/0232023 A1	11/2004	Bansal et al.
7,225,052 B2	5/2007	Footo et al.	2004/0237311 A1	12/2004	Brown et al.
7,225,937 B2	6/2007	Schroeder	2005/0029154 A1	2/2005	Kahn et al.
D550,571 S	9/2007	Diaz	2005/0121406 A1	6/2005	Brozell et al.
D554,999 S	11/2007	Nukuto et al.	2005/0150857 A1	7/2005	Brozell et al.
D555,498 S	11/2007	Bansal	2005/0205513 A1	9/2005	Hidding
7,311,205 B2	12/2007	Adler et al.	2006/0163103 A1	7/2006	Adler et al.
D559,117 S	1/2008	Nukuto et al.	2006/0163110 A1	7/2006	Adler et al.
7,320,483 B2	1/2008	Eippert	2006/0163869 A1	7/2006	Adler et al.
D561,034 S	2/2008	Francis	2006/0213860 A1	9/2006	Robinson
D566,330 S	4/2008	Angeletta	2006/0273063 A1	12/2006	Borger
D572,593 S	7/2008	Adler et al.	2007/0029788 A1	2/2007	Adler et al.
D574,717 S	8/2008	Adler et al.	2007/0102316 A1	5/2007	Van Der Krogt et al.
7,413,082 B2	8/2008	Adler et al.	2008/0017602 A1	1/2008	Adler et al.
D581,275 S	11/2008	Adler	2009/0026104 A1	1/2009	Cassidy
D583,242 S	12/2008	Adler et al.	2009/0050514 A1	2/2009	Devaux-Day
D590,721 S	4/2009	Martinez De San Vicente	2009/0090688 A1	4/2009	Fruchter
D594,336 S	6/2009	Adler	2009/0127157 A1	5/2009	Costa et al.
D597,841 S	8/2009	Adler et al.	2009/0140513 A1	6/2009	Priebe et al.
D601,017 S *	9/2009	Hungerford ..... D9/434	2009/0283492 A1	11/2009	Molinario et al.

2009/0301985 A1 12/2009 Priebe et al.  
 2010/0038279 A1 2/2010 Estep  
 2010/0051572 A1 3/2010 Becroft et al.  
 2010/0147732 A1 6/2010 Delagrangé et al.  
 2010/0313527 A1 12/2010 Jajoo et al.  
 2010/0314351 A1 12/2010 Hoefling  
 2011/0006030 A1 1/2011 Branson et al.  
 2011/0155624 A1 6/2011 Caron et al.  
 2012/0017790 A1 1/2012 Adler  
 2013/0097973 A1 4/2013 McCoy et al.  
 2015/0014269 A1 1/2015 Gillman  
 2015/0122767 A1 5/2015 Mettu et al.  
 2015/0129531 A1 5/2015 Gatton et al.

“Multi-Dose, Multi-Color, I.V. Bag Rings,” [www.medidose.com/catalog/ivpharm/bagrings.html](http://www.medidose.com/catalog/ivpharm/bagrings.html), publicly advertised online at least as early as Apr. 27, 2002 based on the internet archive available at [www.archive.org](http://www.archive.org) (1 page).

\* cited by examiner

*Primary Examiner* — Robert M Spear  
*Assistant Examiner* — Darcey E Heflin  
 (74) *Attorney, Agent, or Firm* — Patent Law Works LLP

FOREIGN PATENT DOCUMENTS

DE	3723671	8/1988
EP	0146095 B1	6/1985
EP	0316636 A2	5/1989
EP	0609955 B1	4/1998
EP	0609954 B1	7/1998
EP	0924676 A2	6/1999
FR	2296391 A1	7/1976
GB	2006713 A	5/1979
GB	2126565 A	3/1984
JP	10297640	11/1998
WO	00/28474	5/2000
WO	00/64676	11/2000
WO	01/45028 A1	6/2001
WO	03098275 A2	11/2003
WO	2004048216 A1	6/2004

OTHER PUBLICATIONS

AliExpress. Pharmaceutical Caps. 2010 [earliest online date], [site visited Sep. 29, 2016]. Available from Internet, <URL:<https://www.aliexpress.com/item/20mm-flip-off-cap-200pcs-lot-All-Kinds-Of-Colored-Flip-Off-Caps-pharmaceutical-caps-flip/32728538288.html?spm=2114.40010508.4.29.Ncbos6>>.\*  
 Photographs of Advil® Bottle and CR Cap, available at least one year prior to Oct. 25, 2011 (1 page).  
 Office Action from Canadian Patent Application No. 2,769,779, mailed Sep. 29, 2012 (3 pages).  
 Office Action from Canadian Patent Application No. 2,809,252, mailed Jul. 8, 2013 (2 pages).  
 Office Action from Canadian Patent Application No. 2,76,779, mailed May 25, 2012 (2 pages).  
 Office Action from Canadian Patent Application No. 2,809,252, mailed Apr. 1, 2014 (2 pages).

(57) CLAIM

The ornamental design for a locking security ring for pharmacy bottles, as shown and described.

DESCRIPTION

FIG. 1 is a top, front, perspective view of a locking security ring for pharmacy bottles showing our new design;  
 FIG. 2 is a bottom, rear, perspective view thereof;  
 FIG. 3 is a front view thereof, the rear view being a mirror image of the front view;  
 FIG. 4 is a right side view thereof, the left side view being a mirror image of the right side view;  
 FIG. 5 is a top view thereof; and  
 FIG. 6 is a bottom view thereof.  
 FIG. 7 is a top, front, perspective view of the locking security ring for pharmacy bottles of FIG. 1 shown in use with additional environmental subject matter;  
 FIG. 8 is a bottom, rear, perspective view thereof;  
 FIG. 9 is a front view thereof;  
 FIG. 10 is a rear view thereof;  
 FIG. 11 is a right side view thereof  
 FIG. 12 is a left side view thereof;  
 FIG. 13 is a top view thereof; and,  
 FIG. 14 is a bottom view thereof.

The features shown in broken lines are portions of the locking security ring for pharmacy bottles or environmental subject matter to the locking security ring for pharmacy bottles forming no part of the claimed design.

**1 Claim, 7 Drawing Sheets**



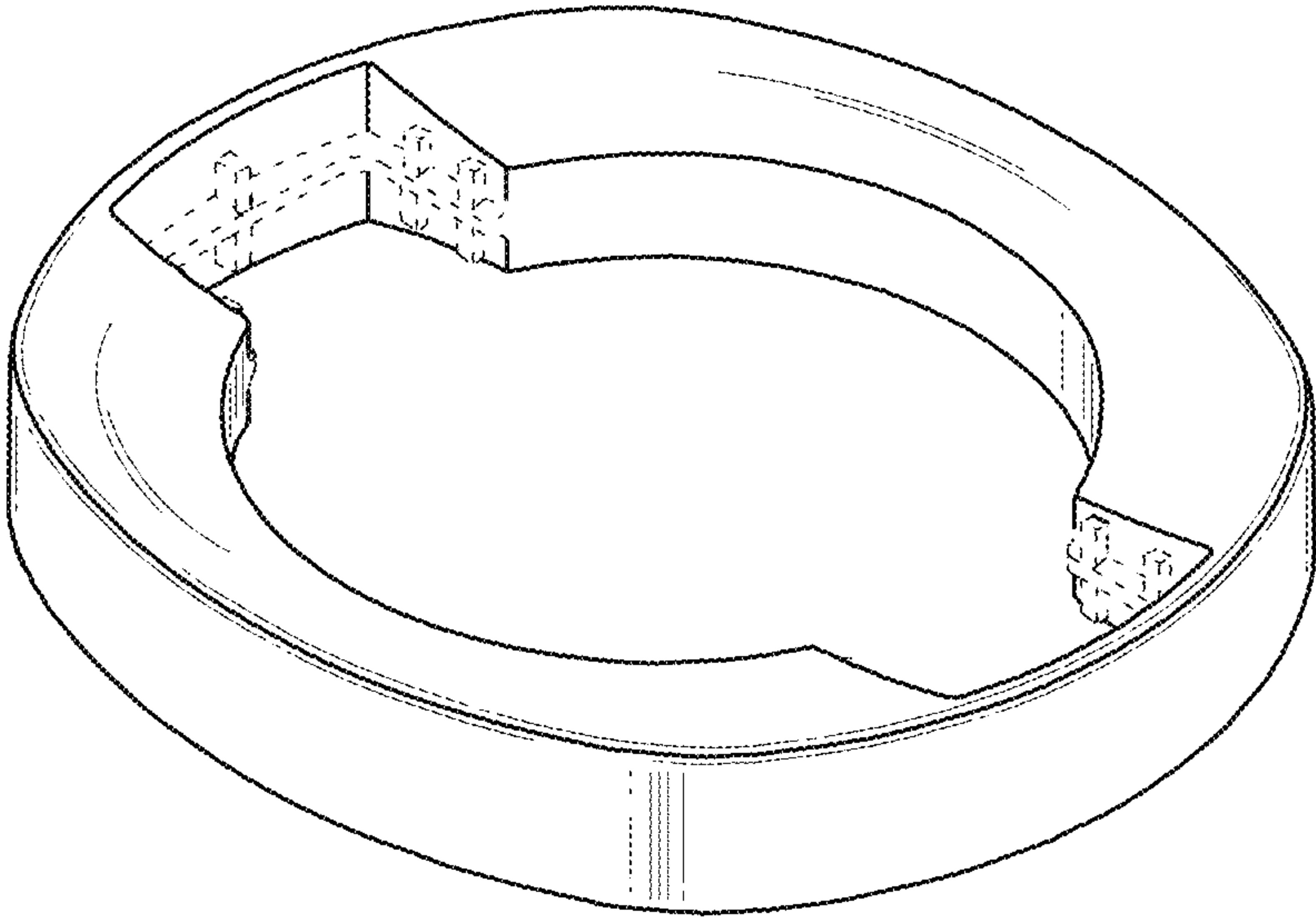


Fig. 1

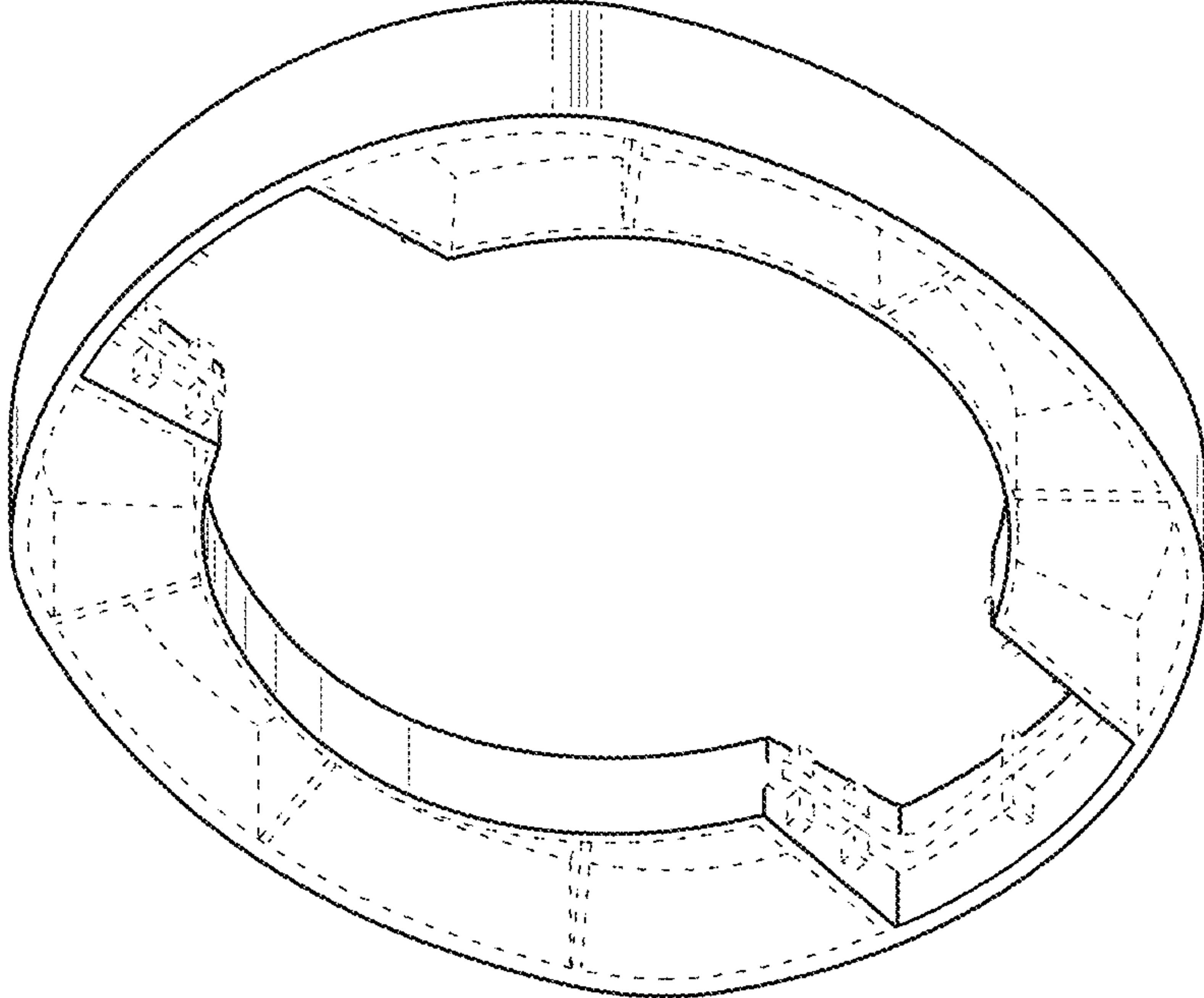


Fig. 2

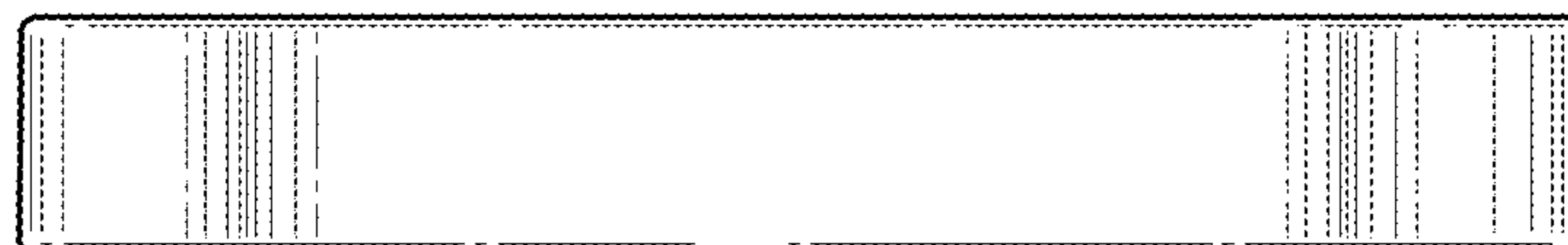


Fig. 3

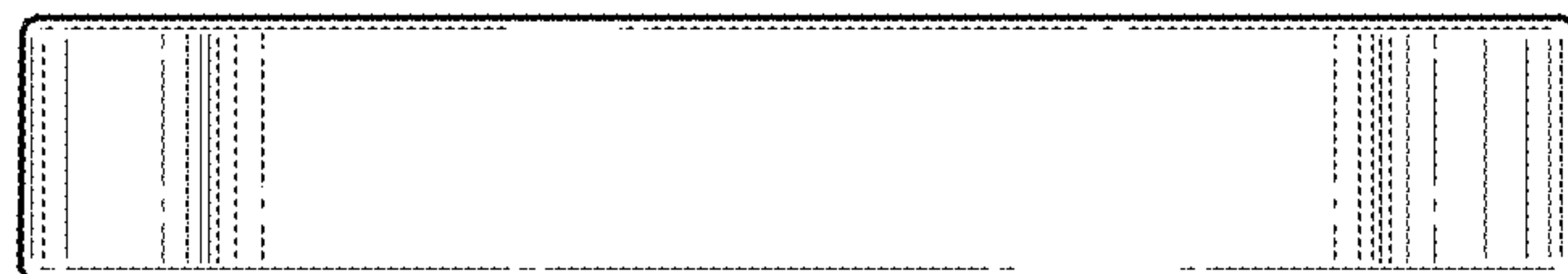


Fig. 4

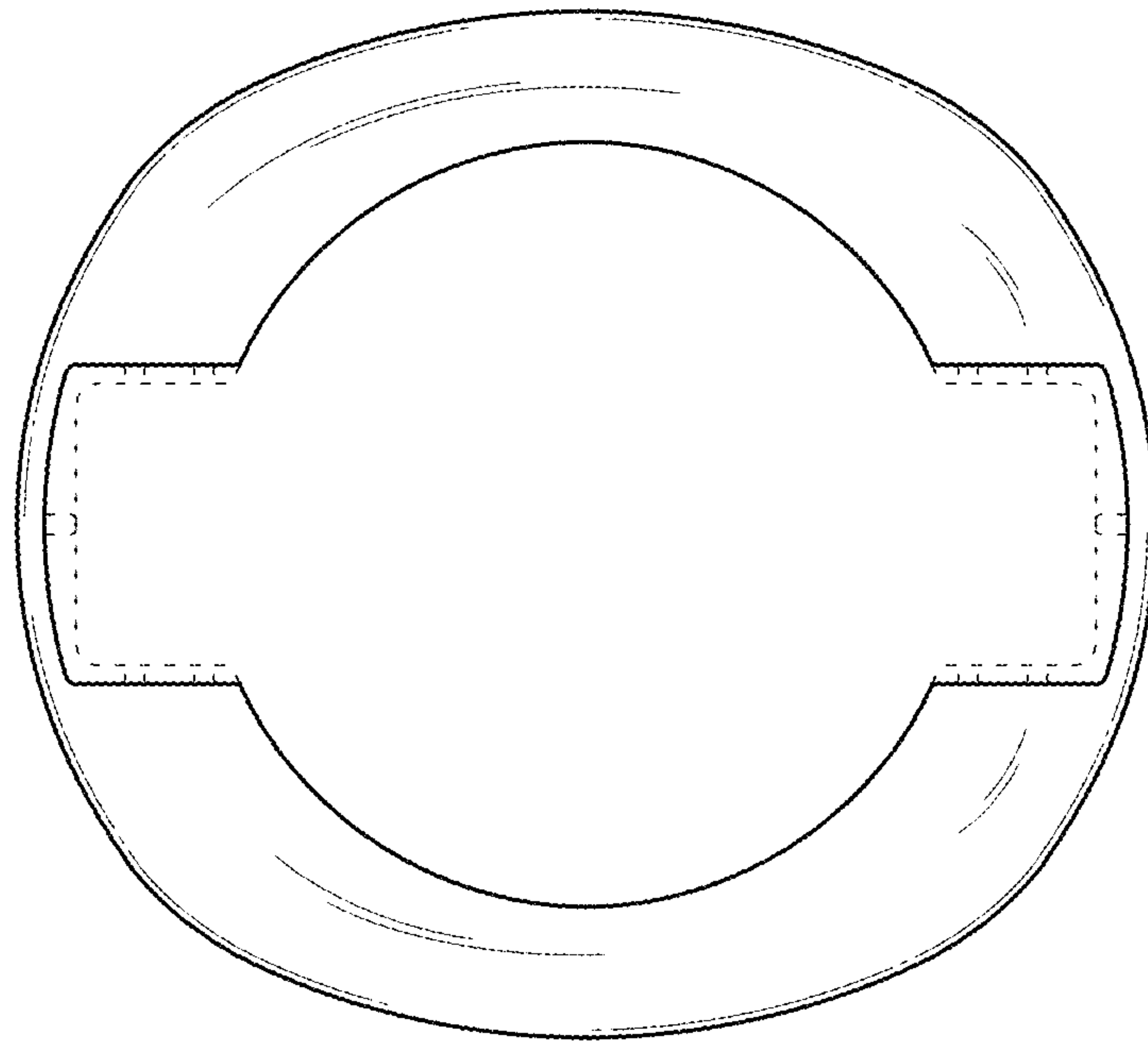


Fig. 5

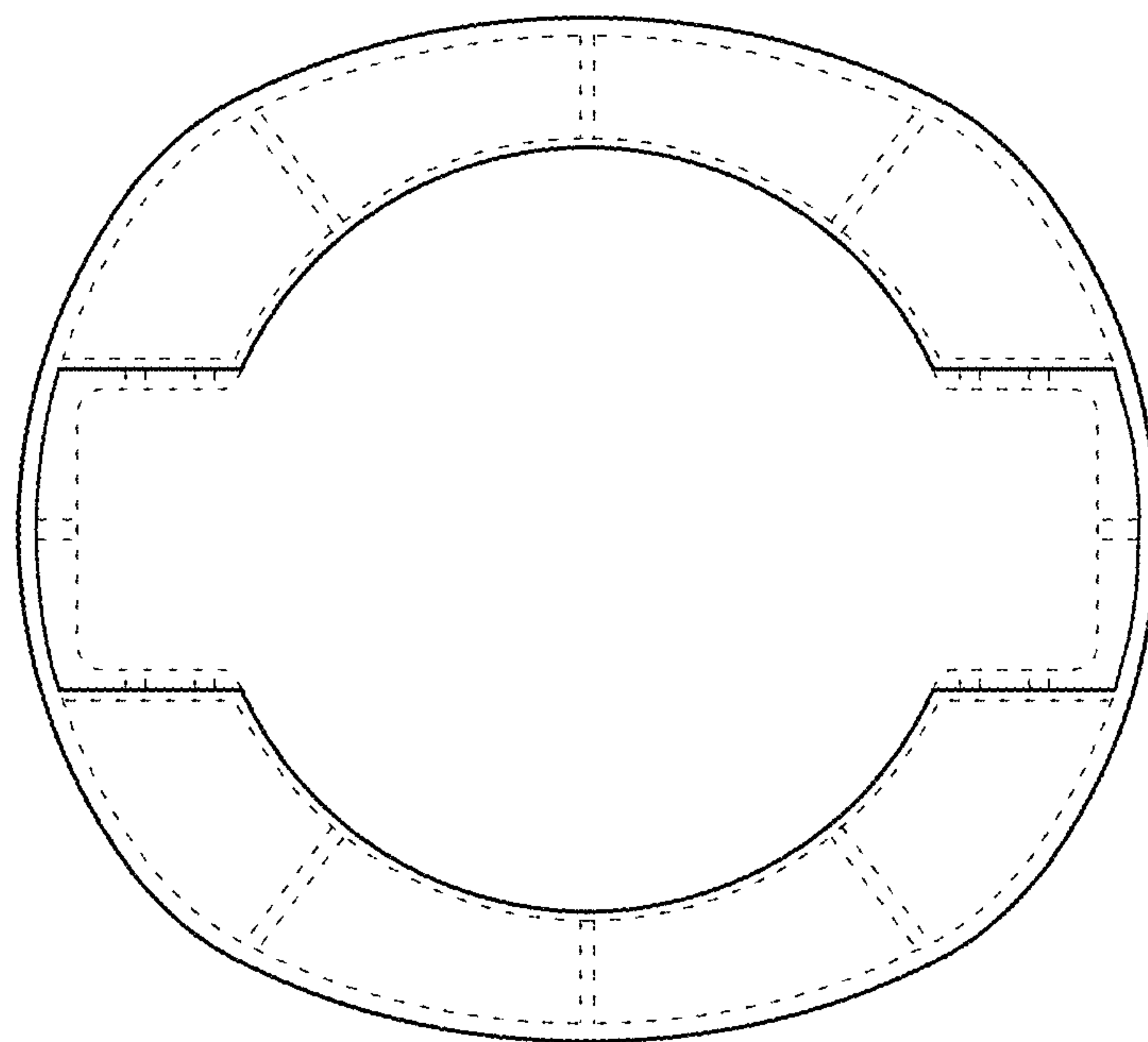


Fig. 6

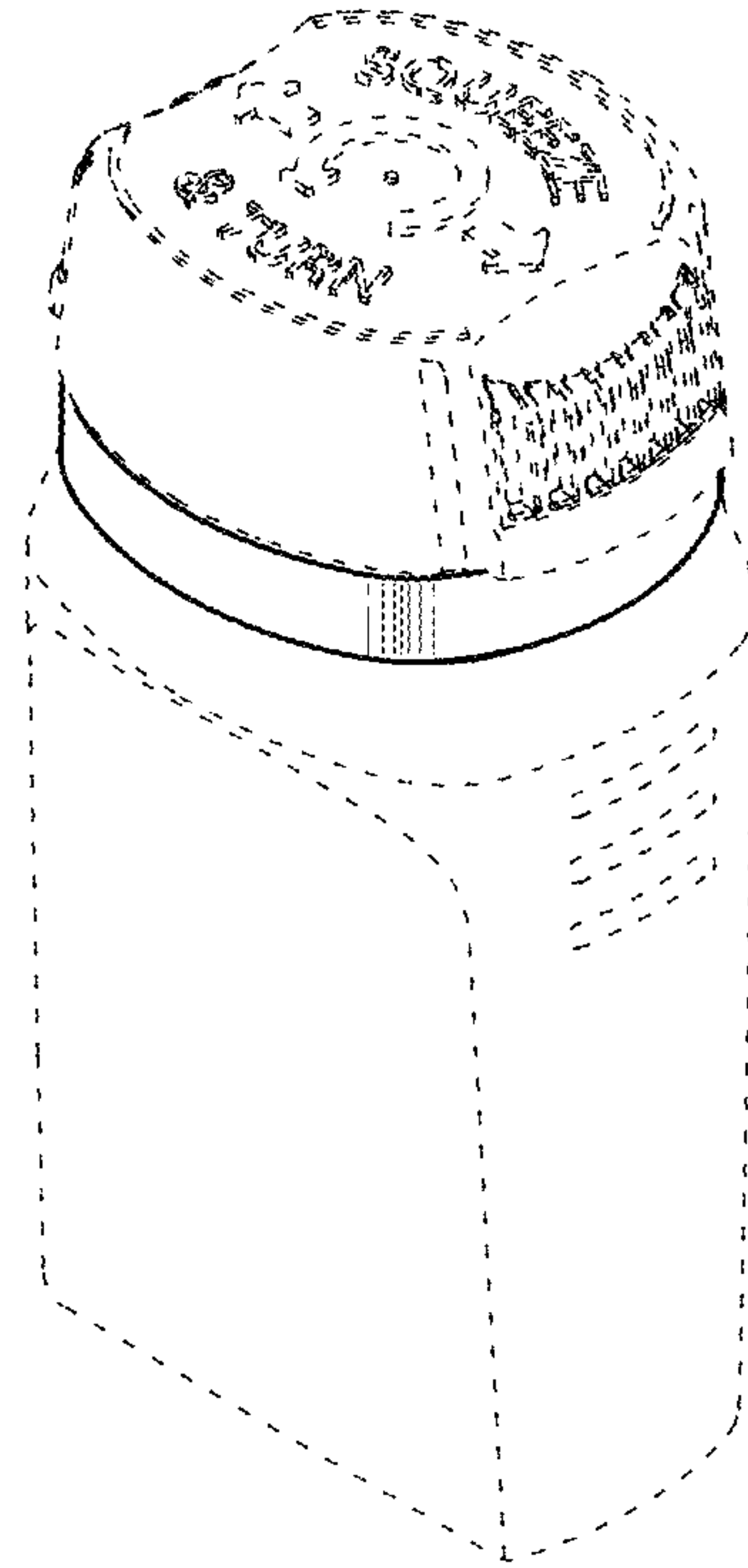


Fig. 7

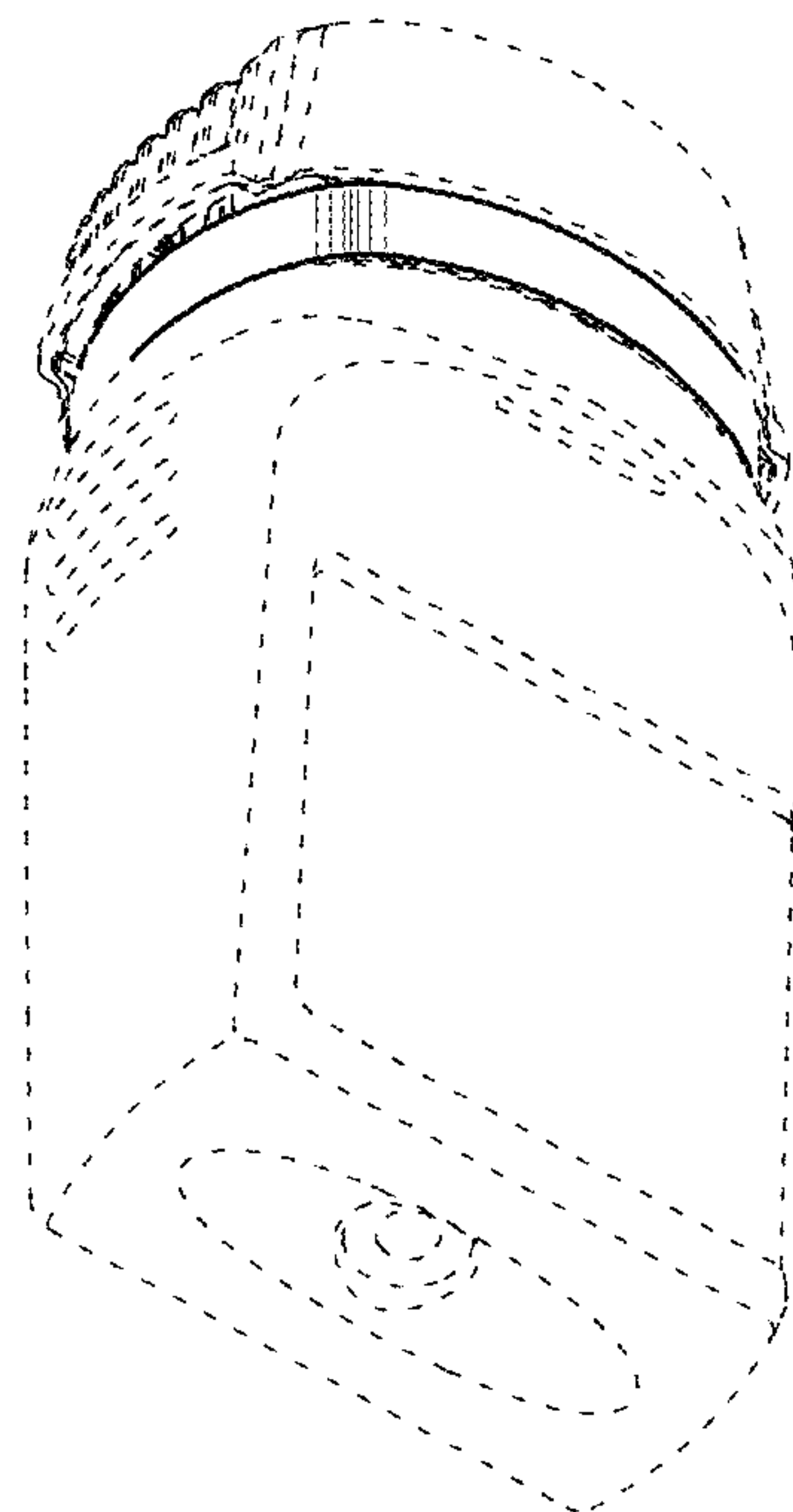


Fig. 8



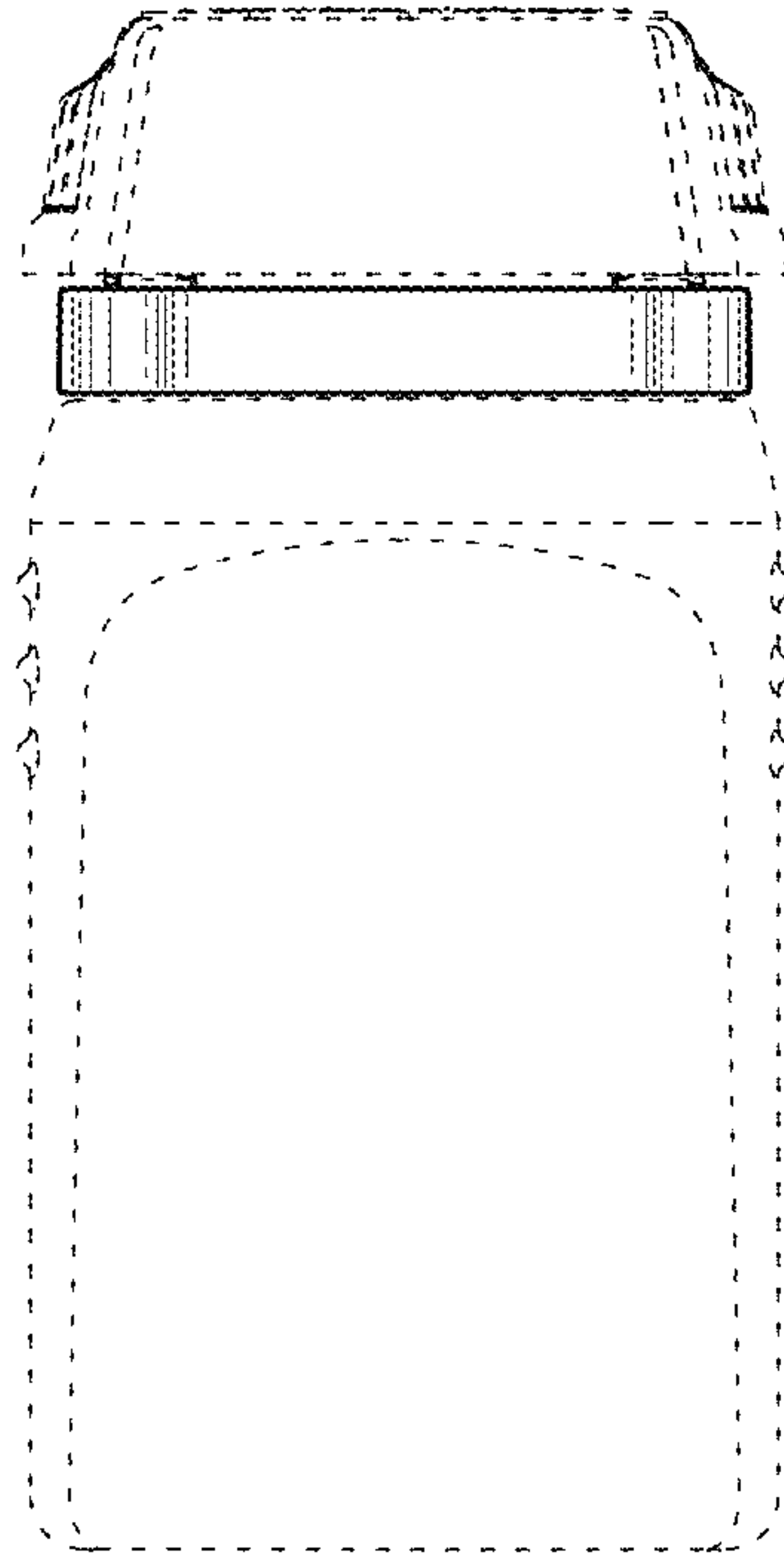


Fig. 9

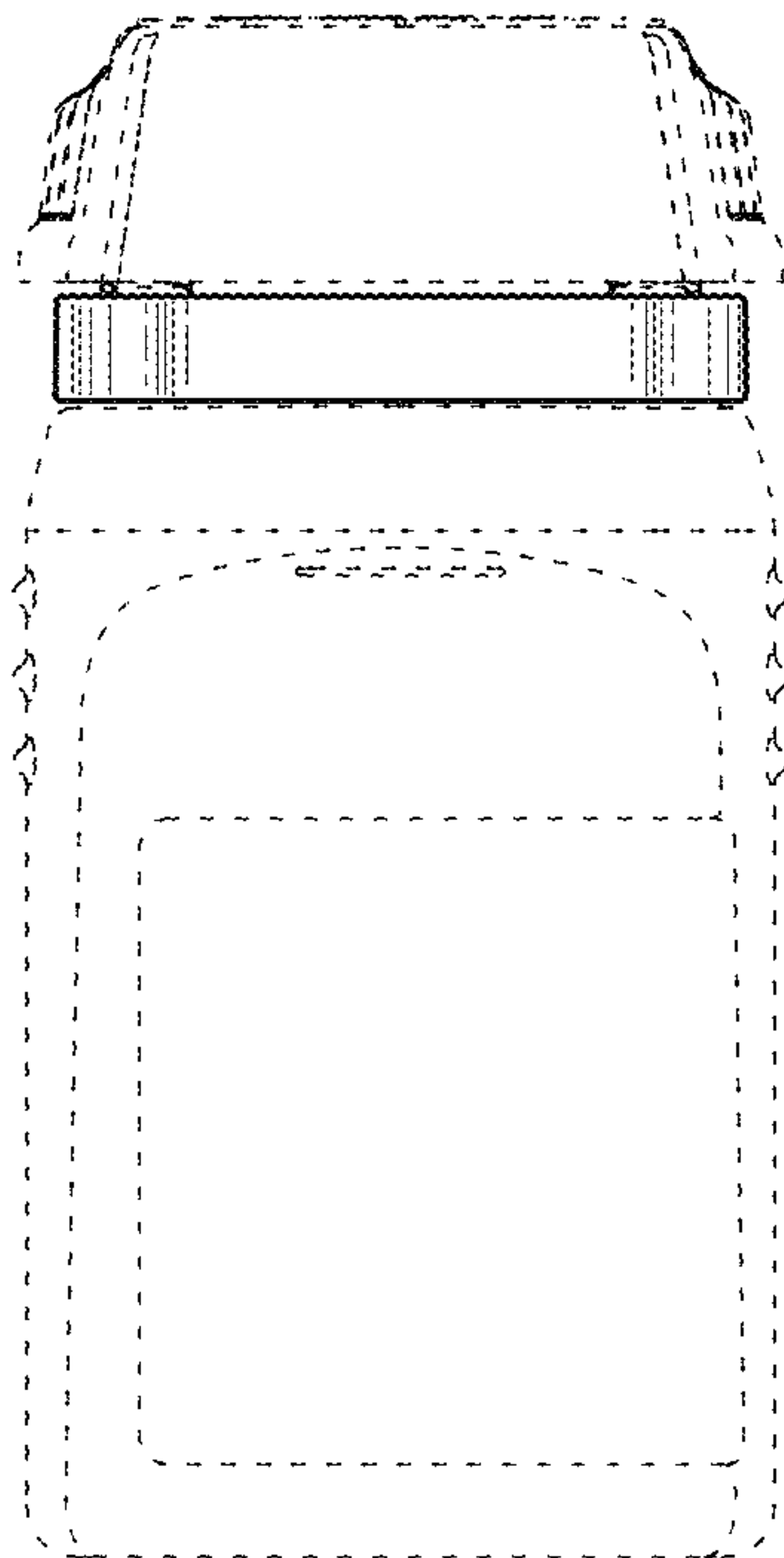


Fig. 10

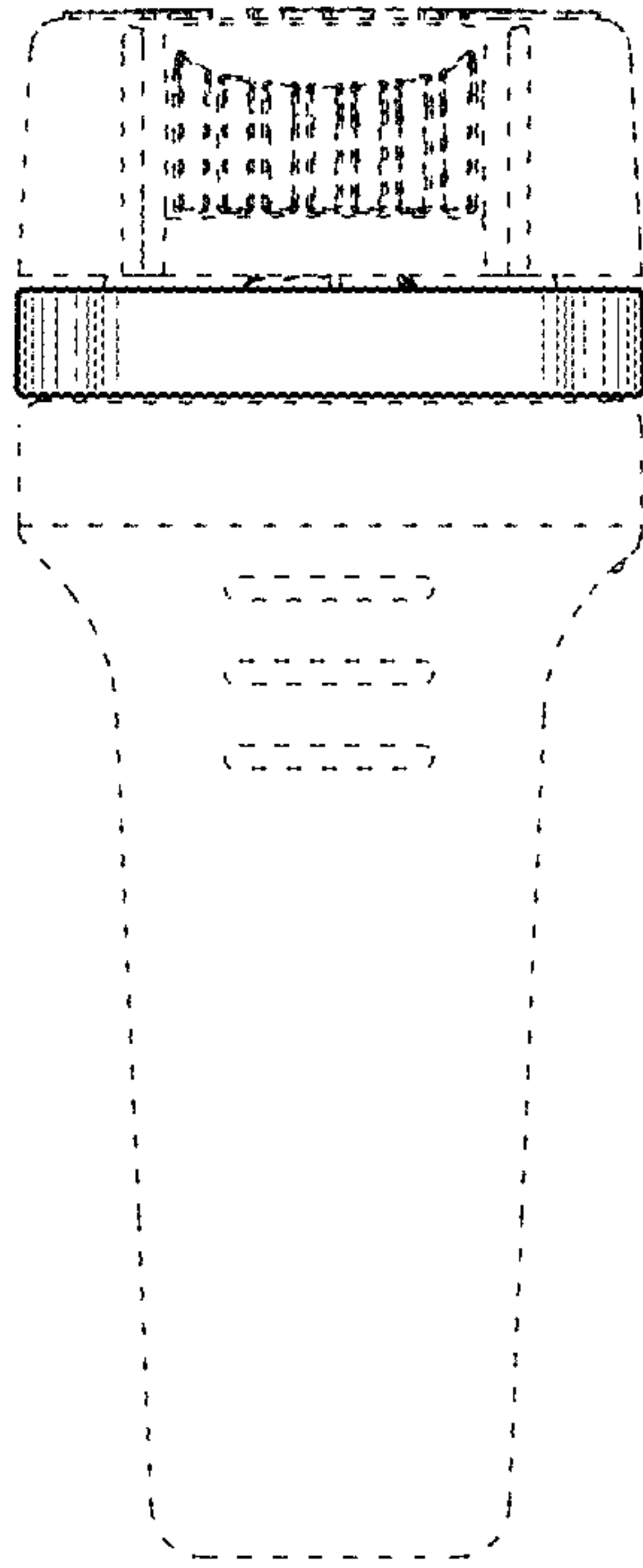


Fig. 11

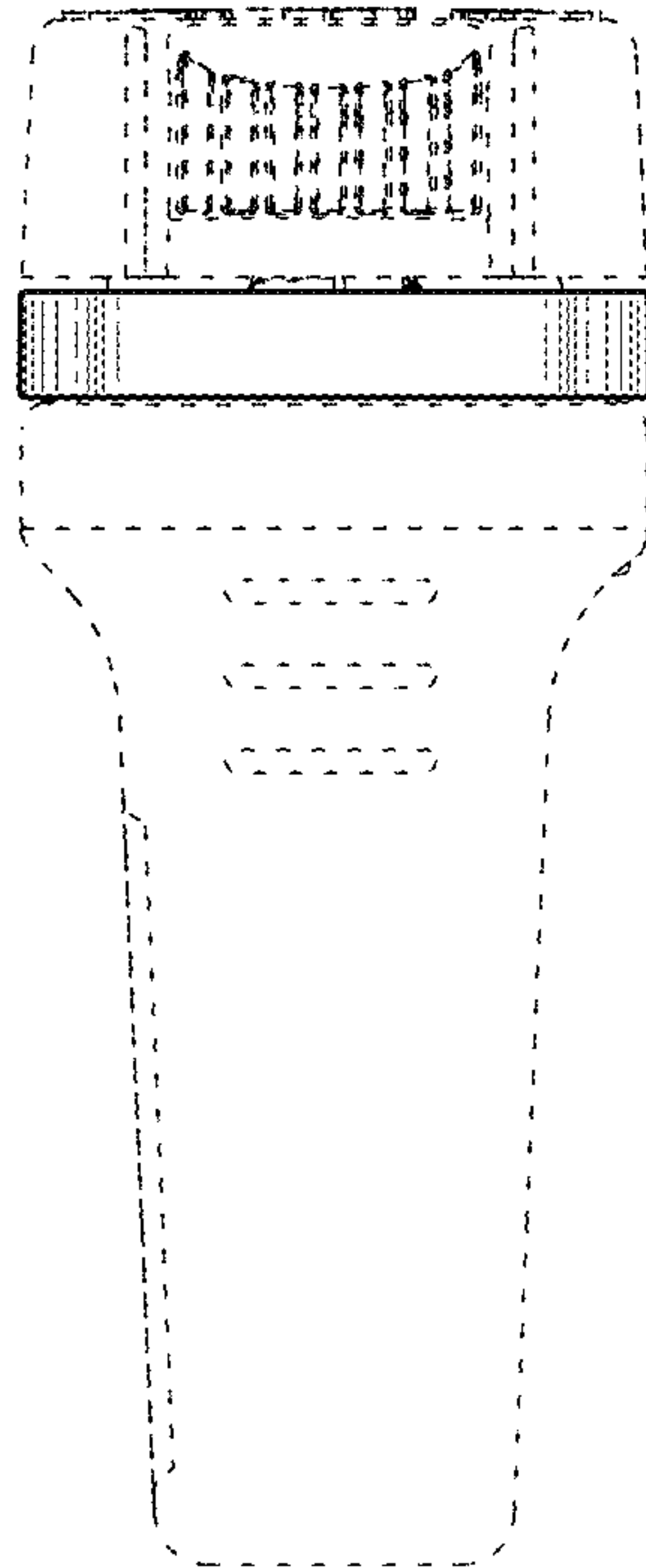


Fig. 12

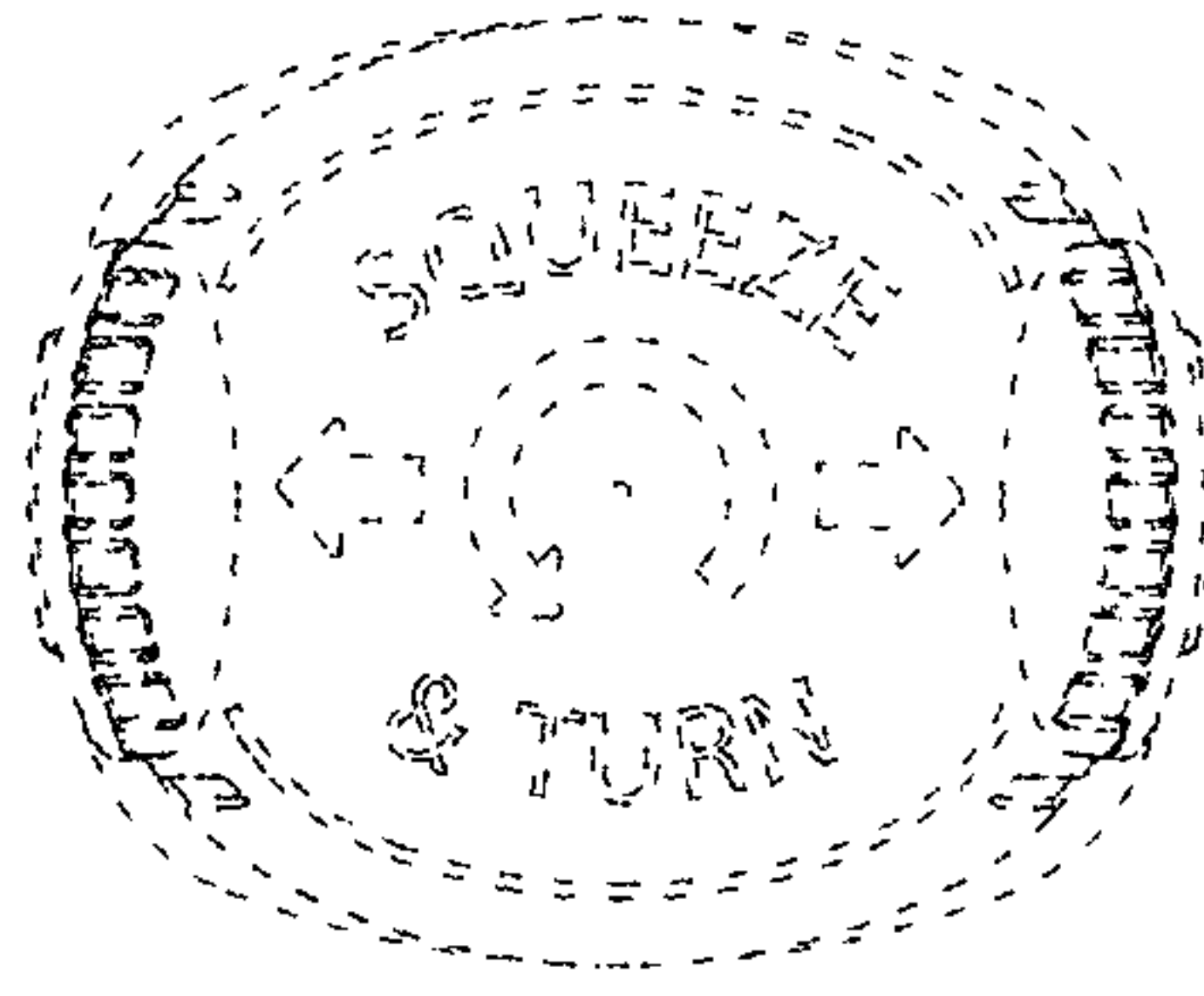


Fig. 13

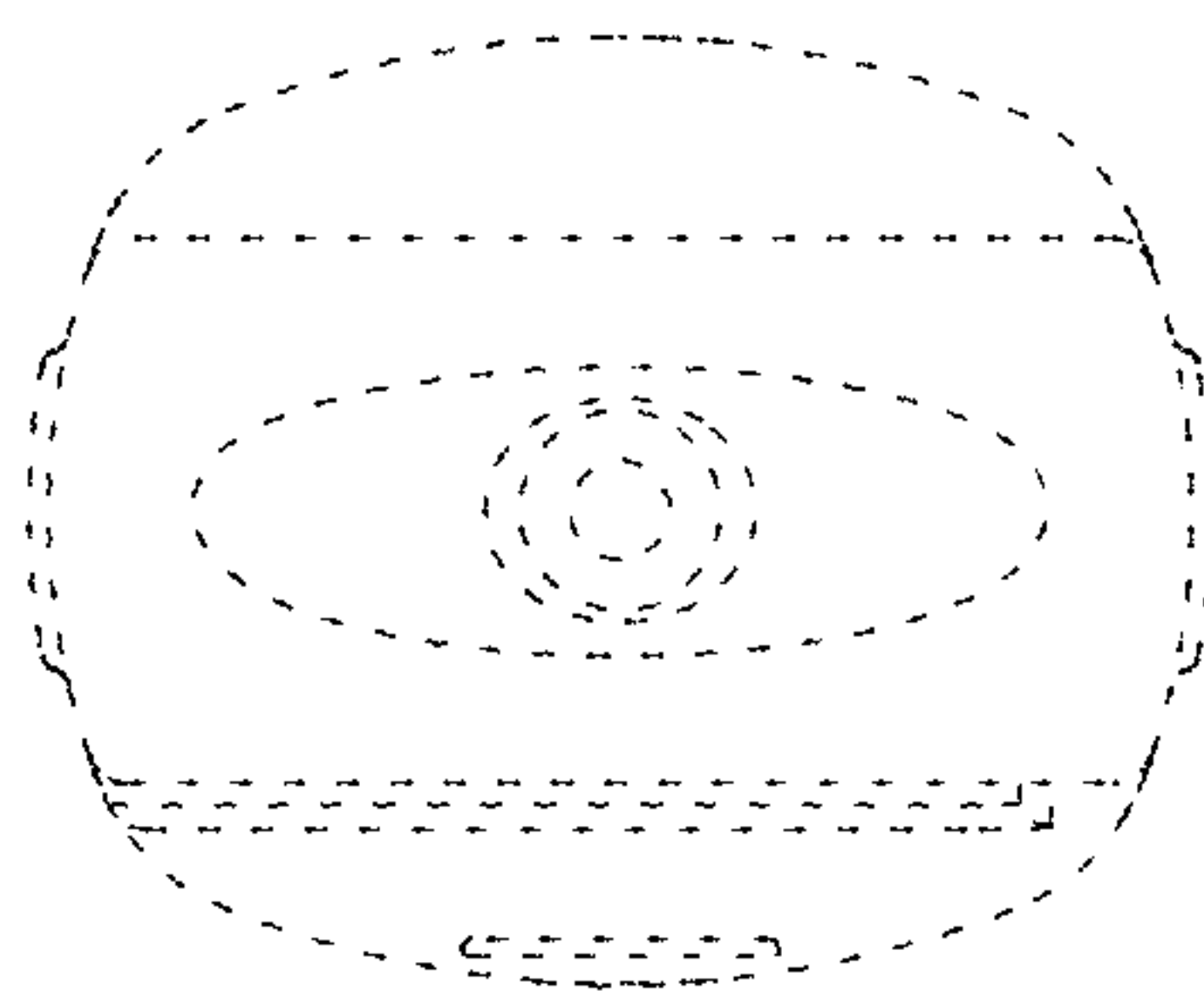


Fig. 14