



US00D790337S

(12) **United States Design Patent**  
**Sofy et al.**

(10) **Patent No.:** **US D790,337 S**  
(45) **Date of Patent:** **\*\* Jun. 27, 2017**

- (54) **STORAGE CONTAINER LID**
  - (71) Applicant: **HMS Mfg. Co.**, Troy, MI (US)
  - (72) Inventors: **Janet M. Sofy**, Troy, MI (US); **Todd M. Lajewski**, Lapeer, MI (US)
  - (73) Assignee: **HMS MFG. CO.**, Troy, MI (US)
  - (\*\*) Term: **14 Years**
  - (21) Appl. No.: **29/514,209**
  - (22) Filed: **Jan. 9, 2015**
  - (51) **LOC (10) Cl.** ..... **09-07**
  - (52) **U.S. Cl.**  
USPC ..... **D9/435; D3/232**
  - (58) **Field of Classification Search**  
USPC ..... D3/318-329, 272, 273, 276, 279-282,  
D3/259, 304, 313-315; D9/434, 456, 499  
CPC . B25H 3/00; B25H 3/02; B65D 41/16; B65D  
21/0219; B65D 25/2841; B65D 25/32;  
B65D 43/164; B65D 43/02; B65D  
2525/287; B65D 2543/00222; B65D  
2543/00148; B65D 2543/00296; B65D  
2543/00555; B65D 2543/00518; B65D  
2543/00537; B65D 2543/0062; B65D  
2543/00694; B65D 2543/00759; B65D  
2543/00805; B65D 21/0209; B65D  
21/0212; B65D 21/022
- See application file for complete search history.

- D376,260 S \* 12/1996 Haley ..... D3/323
  - D378,025 S \* 2/1997 Perelli ..... D3/318
  - D381,512 S \* 7/1997 Green ..... D3/273
  - D390,007 S \* 2/1998 Ahern, Jr. .... D3/323
  - D390,703 S \* 2/1998 Haley ..... D3/323
  - 5,718,350 A 2/1998 Williams
  - D391,763 S \* 3/1998 Wolff ..... D3/323
  - D394,554 S \* 5/1998 Mann ..... D3/323
  - D401,763 S \* 12/1998 Wolff ..... D3/273
  - 6,929,145 B2 8/2005 Shepler
  - 7,350,789 B2 4/2008 Uffner et al.
- (Continued)

- (56) **References Cited**  
U.S. PATENT DOCUMENTS
- D355,765 S \* 2/1995 Miller ..... D3/318
- D356,256 S \* 3/1995 Romanoff ..... D3/282
- D362,117 S \* 9/1995 Koenig ..... D3/323
- D367,361 S \* 2/1996 Kobilarcik ..... D3/323
- D368,161 S \* 3/1996 Miller ..... D3/323
- D368,162 S \* 3/1996 Miller ..... D3/323
- 5,507,385 A 4/1996 Koloski et al.

**OTHER PUBLICATIONS**

Hefty Storage Bin 18-QT posted by heftyhomesolutions.com, posting date not given; [visited site on Apr. 1, 2016] Available on internet at: <URL: <http://www.heftyhomesolutions.com/7120-hefty-hi-rise.html>>.\*

(Continued)

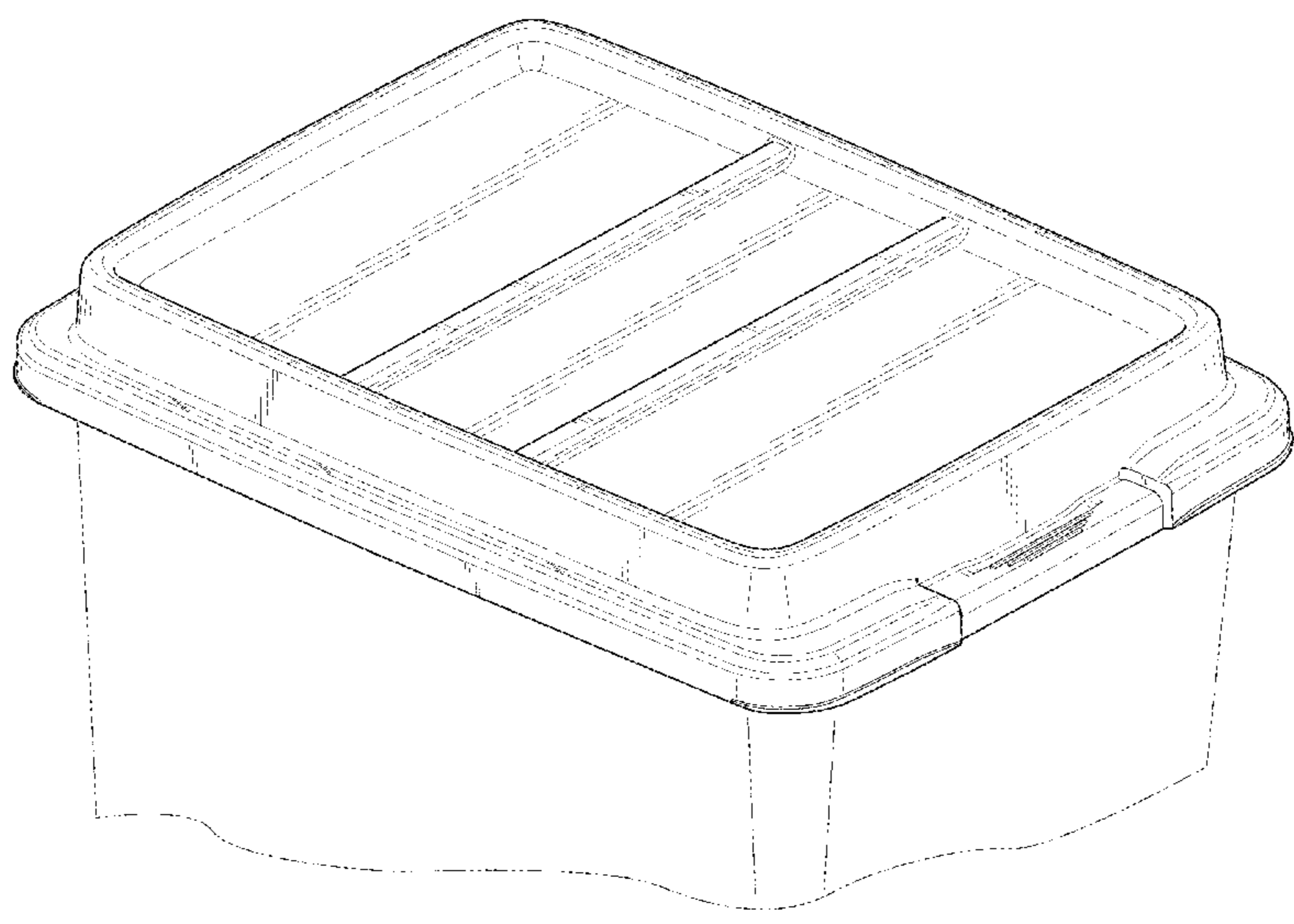
*Primary Examiner* — Susan E Krakower  
*Assistant Examiner* — Lisa A Grabenstetter  
(74) *Attorney, Agent, or Firm* — Dickinson Wright PLLC

(57) **CLAIM**  
The ornamental design for a storage container lid, as shown and described.

**DESCRIPTION**

FIG. 1 is a top perspective view of a storage container lid showing my new design;  
FIG. 2 is a top plan view of the storage container lid;  
FIG. 3 is a bottom plan view of the storage container lid;  
FIG. 4 is a front view of the storage container lid; and,  
FIG. 5 is a side view of the storage container lid.  
The dash-dash broken lines, on the interior of the lid in FIG. 3, show unclaimed portions of the storage container lid.  
The dot-dot-dash broken lines, in FIG. 1, show unclaimed environmental structure.

**1 Claim, 4 Drawing Sheets**



(56)

**References Cited**

U.S. PATENT DOCUMENTS

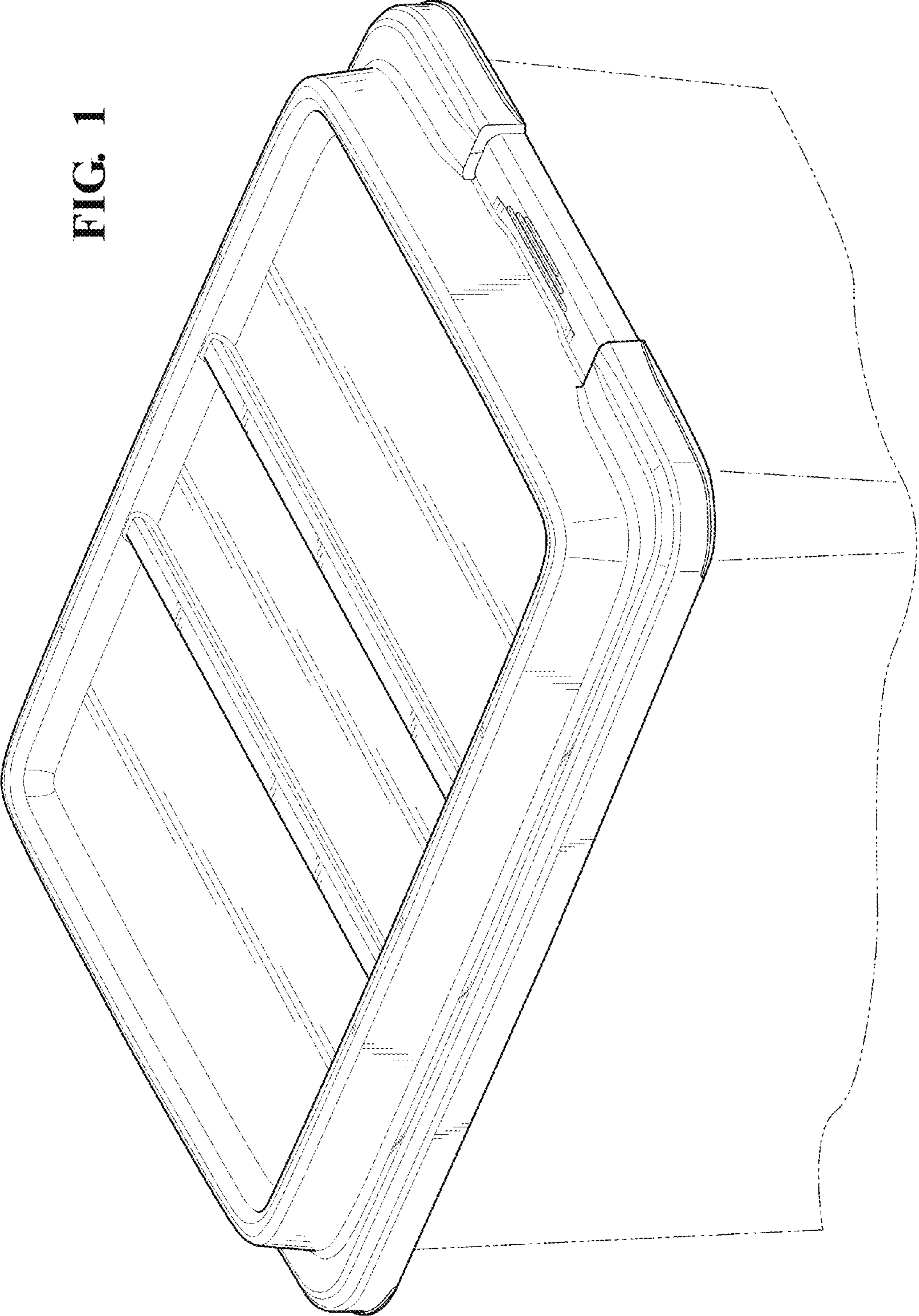
D572,903 S \* 7/2008 McNamara ..... D3/282  
D643,629 S 8/2011 Sofy  
D654,690 S 2/2012 Sofy  
D701,044 S \* 3/2014 Kishimoto ..... D3/272  
D719,731 S \* 12/2014 Burgess ..... D3/299  
9,114,909 B2 \* 8/2015 Wagner ..... B65D 21/0233  
D738,623 S \* 9/2015 Wood ..... D3/302  
2007/0095837 A1 \* 5/2007 Meier ..... B65D 45/16  
220/324

OTHER PUBLICATIONS

Hefty Storage Bin 113-QT posted by heftyhomesolutions.com,  
posting date not given; [visited sited on Apr. 1, 2016] Available on  
internet at: <http://www.heftyhomesolutions.com/7124-hefty-hi-rise.html>>.\*

\* cited by examiner

FIG. 1



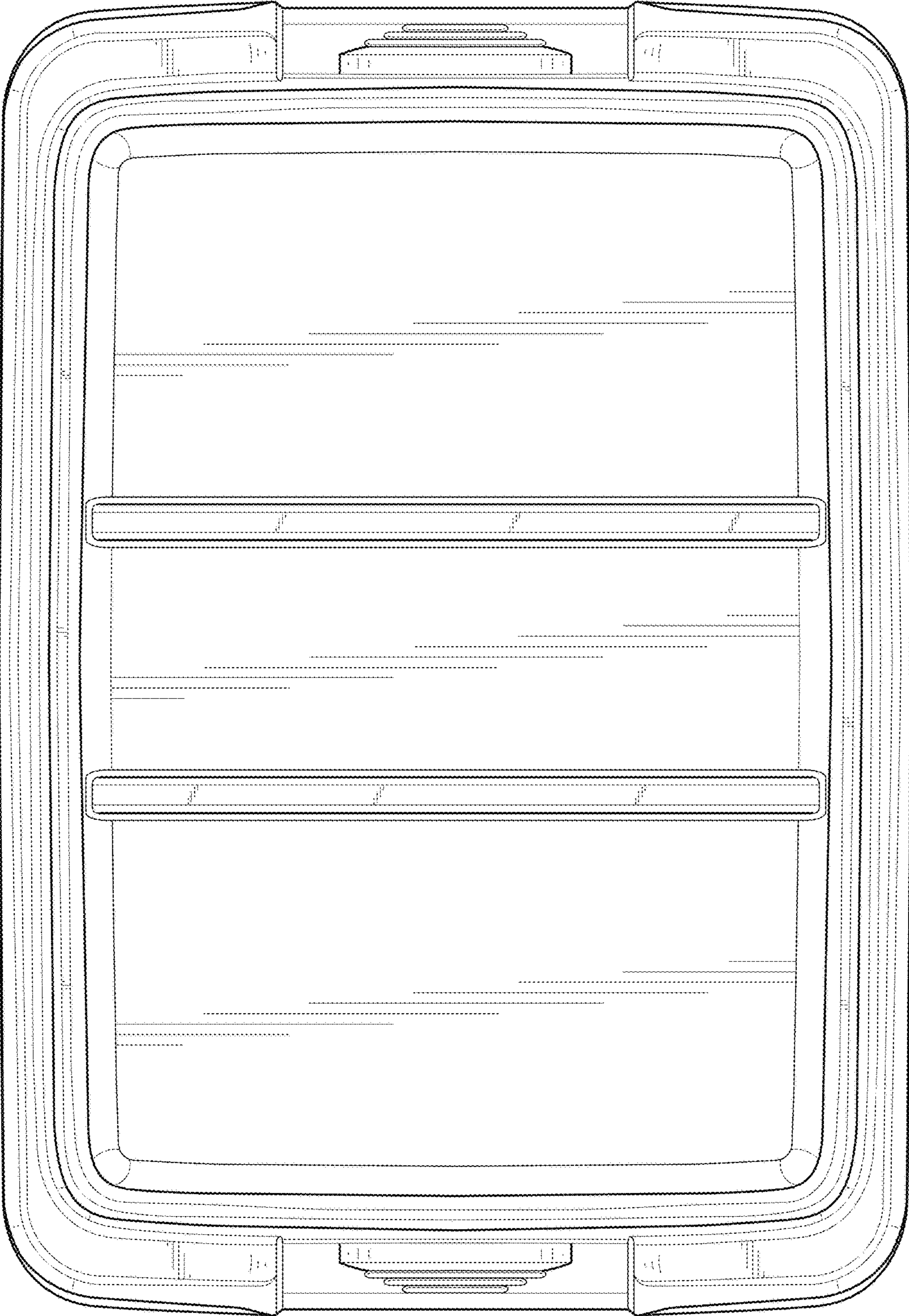


FIG. 2

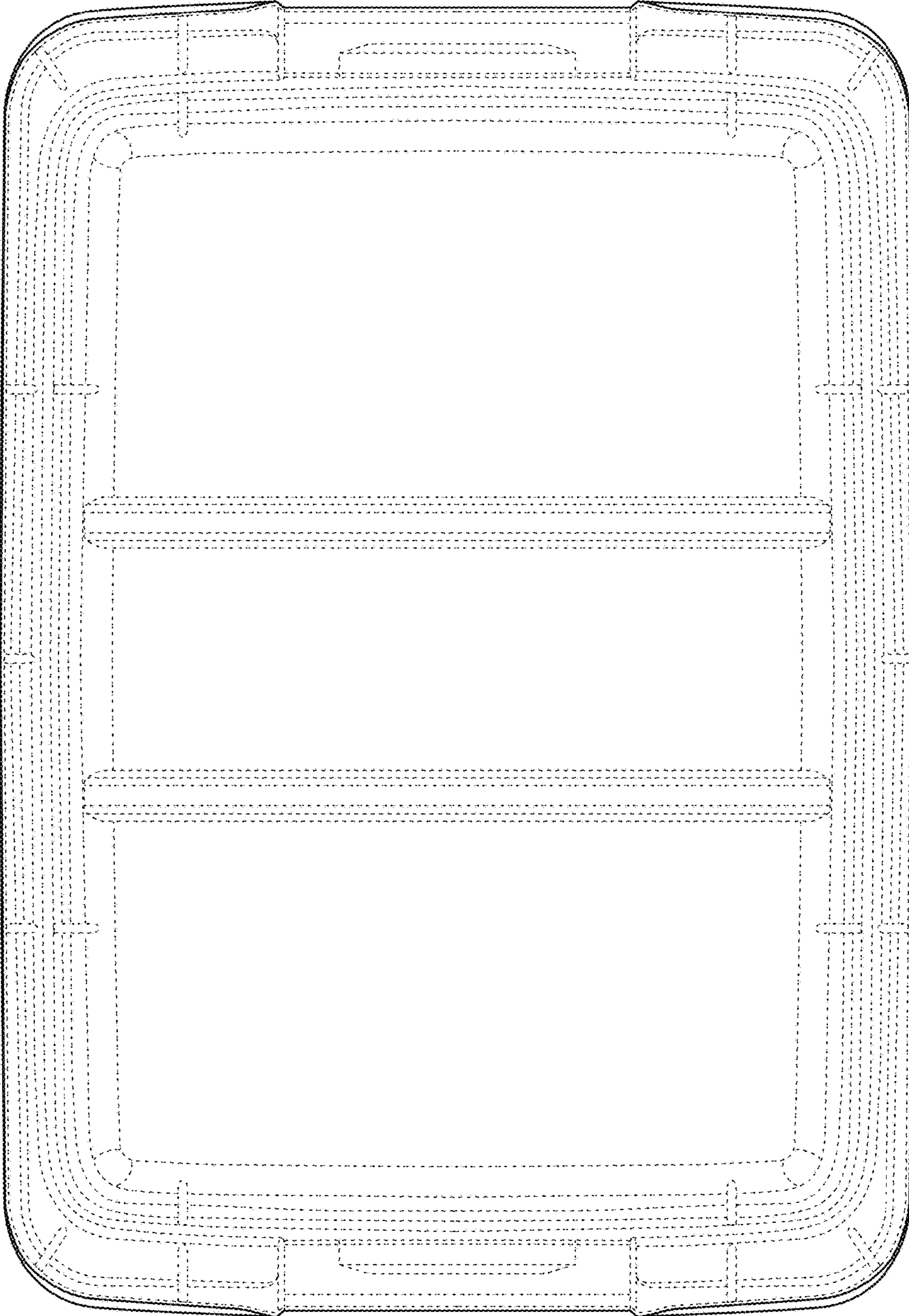


FIG. 3

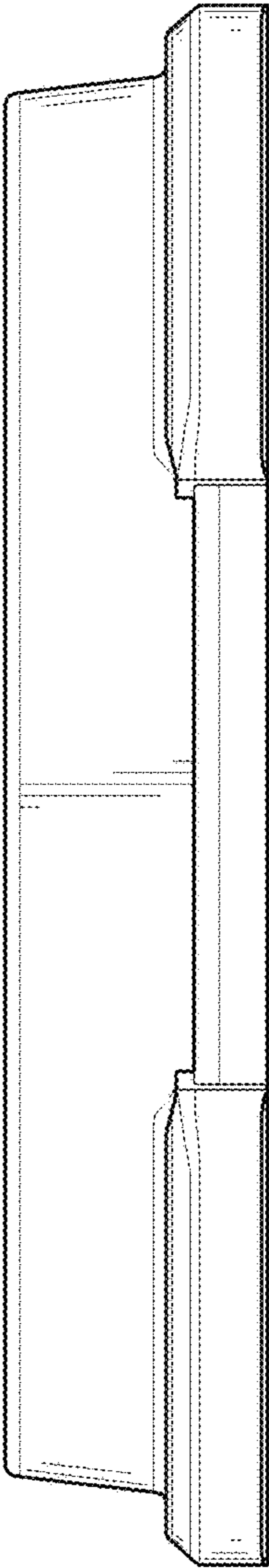


FIG. 4

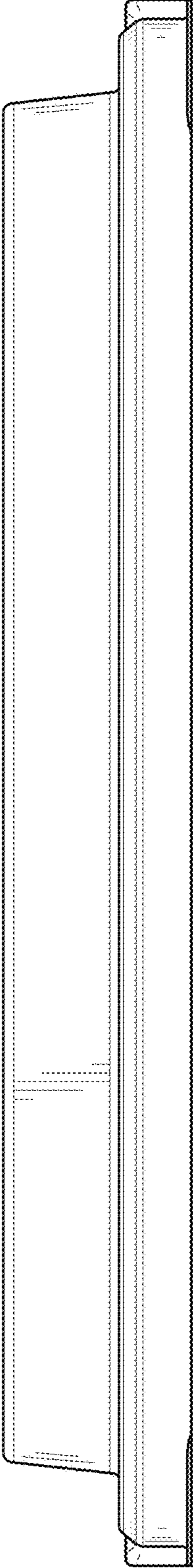


FIG. 5