



US00D790336S

(12) **United States Design Patent** (10) **Patent No.:** **US D790,336 S**
Gavrieli et al. (45) **Date of Patent:** **** Jun. 27, 2017**

(54) **BLUE BOX**

(71) Applicant: **Gavrieli Brands LLC**, Beverly Hills, CA (US)

(72) Inventors: **Kfir Gavrieli**, Los Angeles, CA (US); **Dikla Gavrieli**, Los Angeles, CA (US)

(73) Assignee: **Gavrieli Brands LLC**, Beverly Hills, CA (US)

(**) Term: **14 Years**

(21) Appl. No.: **29/487,758**

(22) Filed: **Apr. 11, 2014**

Related U.S. Application Data

(63) Continuation of application No. 29/437,416, filed on Nov. 15, 2012, now Pat. No. Des. 703,531, which is (Continued)

(51) **LOC (10) Cl.** **09-03**

(52) **U.S. Cl.**
USPC **D9/432**

(58) **Field of Classification Search**
USPC D9/430-434, 414-415, 417, 418, D9/420-427, 634, 732; D3/272, 273, (Continued)

(56) **References Cited**

U.S. PATENT DOCUMENTS

249,086 A 11/1881 Pienovi
773,850 A 11/1904 Cooper et al.
(Continued)

FOREIGN PATENT DOCUMENTS

GB 2443937 A 5/2008

Primary Examiner — Vy Koenig

(74) *Attorney, Agent, or Firm* — Morgan, Lewis & Bockius LLP

(57) **CLAIM**

An ornamental design for a blue box, as shown and described.

DESCRIPTION

The file of this patent contains at least one drawing executed in color. Copies of this patent with color drawing(s) will be provided by the Office upon request and payment of the necessary fee.

FIG. 1 is a perspective view of an embodiment of our new design of a blue box;

FIG. 2 is a first side view of the design of FIG. 1, wherein the opposite side of the box is a mirror image of the first side view;

FIG. 3 is a second side view of the design of FIG. 1, wherein the opposite side of the box is a mirror image of the second side view;

FIG. 4 is a top view of the design of FIG. 1;

FIG. 5 is a bottom view of the design of FIG. 1;

FIG. 6 is a perspective view of yet another embodiment of our new design of a blue box, where the blue portions are indicated using a checkered pattern to indicate any blue color within the range of Pantone PMS 3242-3278, PMS 2905-2995, and 7453C-7472C, specifically including Pantone 7466C;

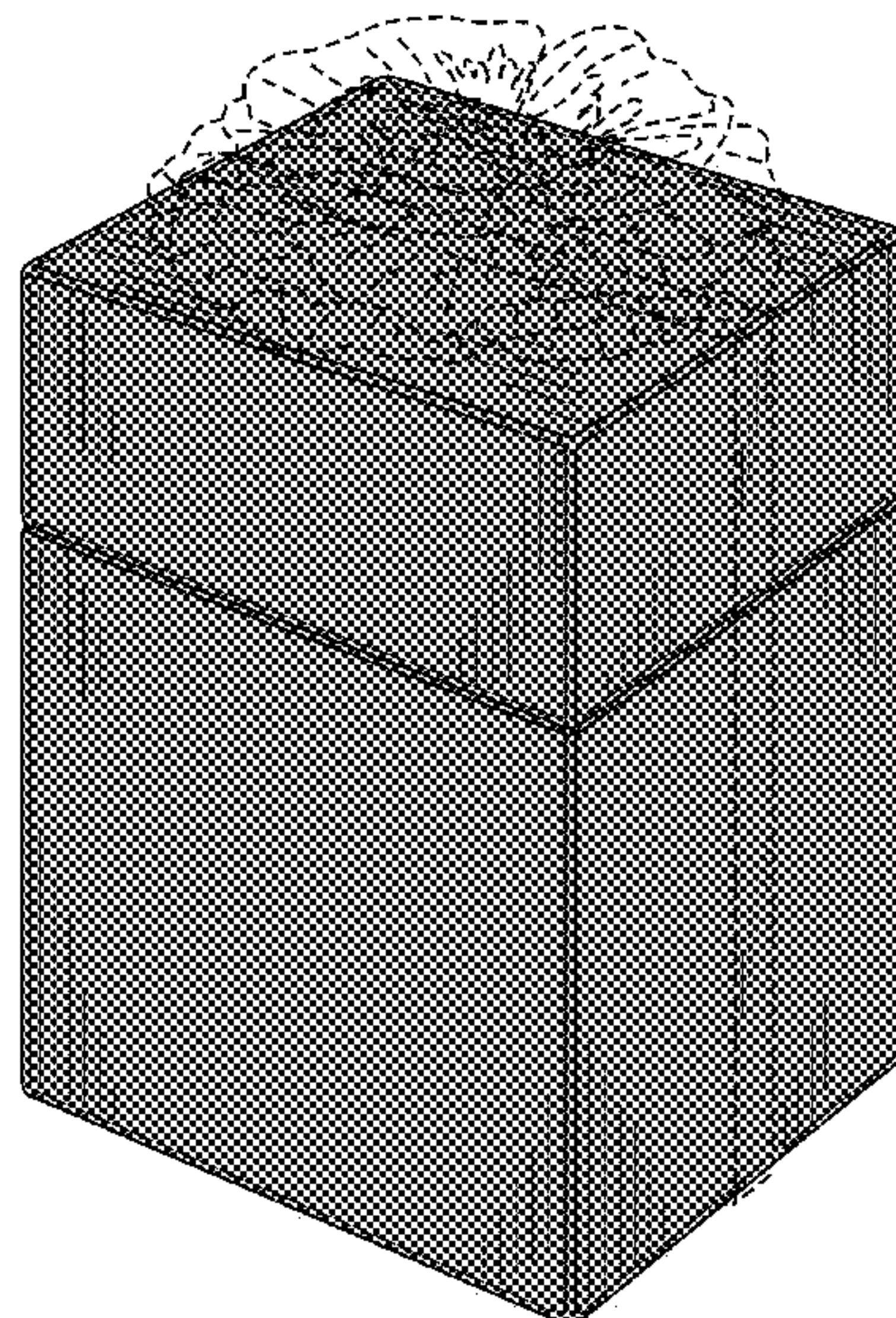
FIG. 7 is a first side view of the design of FIG. 6, wherein the opposite side of the box is a mirror image of the first side view;

FIG. 8 is a second side view of the design of FIG. 6, wherein the opposite side of the box is a mirror image of the second side view;

FIG. 9 is a top view of the design of FIG. 6; and, FIG. 10 is a bottom view of the design of FIG. 6.

The broken lines in the figures depict elements of the blue box that form no part of the claimed design.

1 Claim, 10 Drawing Sheets
(5 of 10 Drawing Sheet(s) Filed in Color)



Related U.S. Application Data

a continuation of application No. 13/207,397, filed on Aug. 10, 2011, now Pat. No. 8,745,893.

(58) **Field of Classification Search**

USPC D3/302, 304-309, 315; D7/601, 602, D7/609, 619.1, 630
CPC B65D 5/00; B65D 5/0209; B65D 5/029; B65D 5/40; B65D 5/72; B65D 5/727
See application file for complete search history.

(56) **References Cited**

U.S. PATENT DOCUMENTS

830,941	A	9/1906	Walden	
1,154,457	A	9/1915	Taylor	
1,208,209	A	12/1916	Prince	
1,214,666	A	2/1917	Ford	
1,519,009	A	12/1924	Reina	
1,735,191	A	11/1929	Weisenberg	
1,777,716	A	10/1930	Case	
D85,875	S	12/1931	Jones	
1,865,688	A *	7/1932	Hannaford	B65D 5/566 206/205
2,224,590	A	12/1940	Boivin	
D135,791	S	6/1943	Beebe	
2,323,563	A	7/1943	Nugent	
2,335,913	A	12/1943	Buttery	
2,342,882	A	2/1944	Meltzer	
2,352,766	A *	7/1944	Bogue	B65D 13/04 229/121
D141,871	S	7/1945	Braun	
2,383,585	A	8/1945	Bindner	
2,447,677	A *	8/1948	Williams	B65D 5/12 229/122
2,567,786	A	9/1951	Rosenberg	
2,606,708	A	8/1952	Irvan	
2,772,488	A	12/1956	Meltzer	
2,808,194	A	10/1957	Dols	
D202,133	S *	8/1965	Marchant	D9/424
3,244,272	A *	4/1966	Beaman	G07D 9/004 206/82
D218,678	S	9/1970	Current et al.	
D220,464	S	4/1971	Hayoshi	
D238,978	S	2/1976	Gatchell, Jr. et al.	
D241,013	S *	8/1976	Dekker	D9/529
D244,749	S	6/1977	Hodges	
D245,580	S	8/1977	Larsson et al.	
D251,546	S *	4/1979	Larsson	D9/432
4,185,767	A	1/1980	Sykora et al.	
D258,494	S *	3/1981	Romagnoli	D7/312
4,380,289	A	4/1983	Bigelow	
D272,127	S	1/1984	Beard	
D275,525	S	9/1984	Nakao	
4,674,206	A	6/1987	Lyden	
D306,973	S	4/1990	Kaplan	
D327,423	S	6/1992	Turner-Adams	
D374,398	S	10/1996	Larson	
D380,417	S *	7/1997	Hardy	D11/125
D389,639	S *	1/1998	Priebe	D3/203.8
D394,383	S *	5/1998	Bradfield	D9/416
D399,520	S	10/1998	Miller et al.	
D405,007	S *	2/1999	Naas, Sr.	D27/189
D420,785	S	2/2000	Perez	
D437,779	S *	2/2001	Randall	D9/418

D442,320	S	5/2001	Pudlowski et al.	
6,371,366	B1 *	4/2002	Edgerton	B65D 5/4204 206/756
D478,513	S	8/2003	Puigbo	
D479,465	S *	9/2003	Knasel	D9/432
6,840,380	B1	1/2005	Gambale	
D503,884	S *	4/2005	Camilleri-Oller	D9/419
D505,546	S	5/2005	Lau	
7,066,333	B2	6/2006	Justice	
D529,513	S	10/2006	Aketa	
D531,043	S *	10/2006	Houtart	D9/432
D543,453	S	5/2007	Fu et al.	
D549,590	S *	8/2007	Mauerhan	D9/432
D556,566	S *	12/2007	Steele, IV	D9/418
D556,572	S *	12/2007	Mongeon	D9/432
D556,990	S	12/2007	Cabados	
D567,485	S	4/2008	James	
D571,084	S	6/2008	Comeau	
D584,959	S	1/2009	Tinsley	
7,503,456	B2	3/2009	Rodriguez	
D610,785	S	3/2010	Smith	
D615,737	S	5/2010	Feller	
7,735,244	B1	6/2010	Ameche	
D618,891	S	7/2010	McClaskie	
D630,829	S	1/2011	Weisner	
D639,669	S *	6/2011	Adler	D9/435
D644,108	S	8/2011	Vila Calvo	
D657,543	S	4/2012	Bove	
D659,960	S	5/2012	Bizzo	
8,230,619	B2	7/2012	Salvatelli	
D665,157	S	8/2012	Wu	
D668,849	S	10/2012	Pozzi	
D668,850	S	10/2012	Pozzi	
D680,007	S *	4/2013	Gavrieli	D9/635
D681,927	S	5/2013	Gavrieli	
D681,928	S	5/2013	Gavrieli	
D681,929	S	5/2013	Gavrieli	
D683,936	S	6/2013	Gavrieli	
D688,853	S	9/2013	Gavrieli	
D688,854	S	9/2013	Gavrieli	
D688,855	S	9/2013	Gavrieli	
D689,270	S	9/2013	Gavrieli	
D689,271	S	9/2013	Gavrieli	
D689,272	S	9/2013	Gavrieli	
D690,914	S	10/2013	Gavrieli	
D690,915	S	10/2013	Gavrieli	
D694,622	S *	12/2013	Bulens	D9/432
D696,500	S	12/2013	Hunt	
D699,424	S	2/2014	Hamm	
D703,531	S *	4/2014	Gavrieli	D9/432
8,973,287	B2	3/2015	Shibata	
2003/0121176	A1	7/2003	Baruck	
2005/0262734	A1	12/2005	Cheng	
2007/0074424	A1	4/2007	Lin	
2008/0086912	A1	4/2008	Wilkenfeld	
2009/0193685	A1	8/2009	Wilson	
2009/0205222	A1	8/2009	McLinden	
2009/0272009	A1	11/2009	Weisner et al.	
2010/0011625	A1	1/2010	Percival	
2010/0018080	A1	1/2010	Smith	
2010/0050469	A1	3/2010	Chen	
2010/0115793	A1	5/2010	Kraisosky	
2010/0122475	A1	5/2010	Purrrington	
2010/0212186	A1	8/2010	Cheng	
2010/0275462	A1	11/2010	Pucci	
2015/0089843	A1	4/2015	Gavrieli	

* cited by examiner

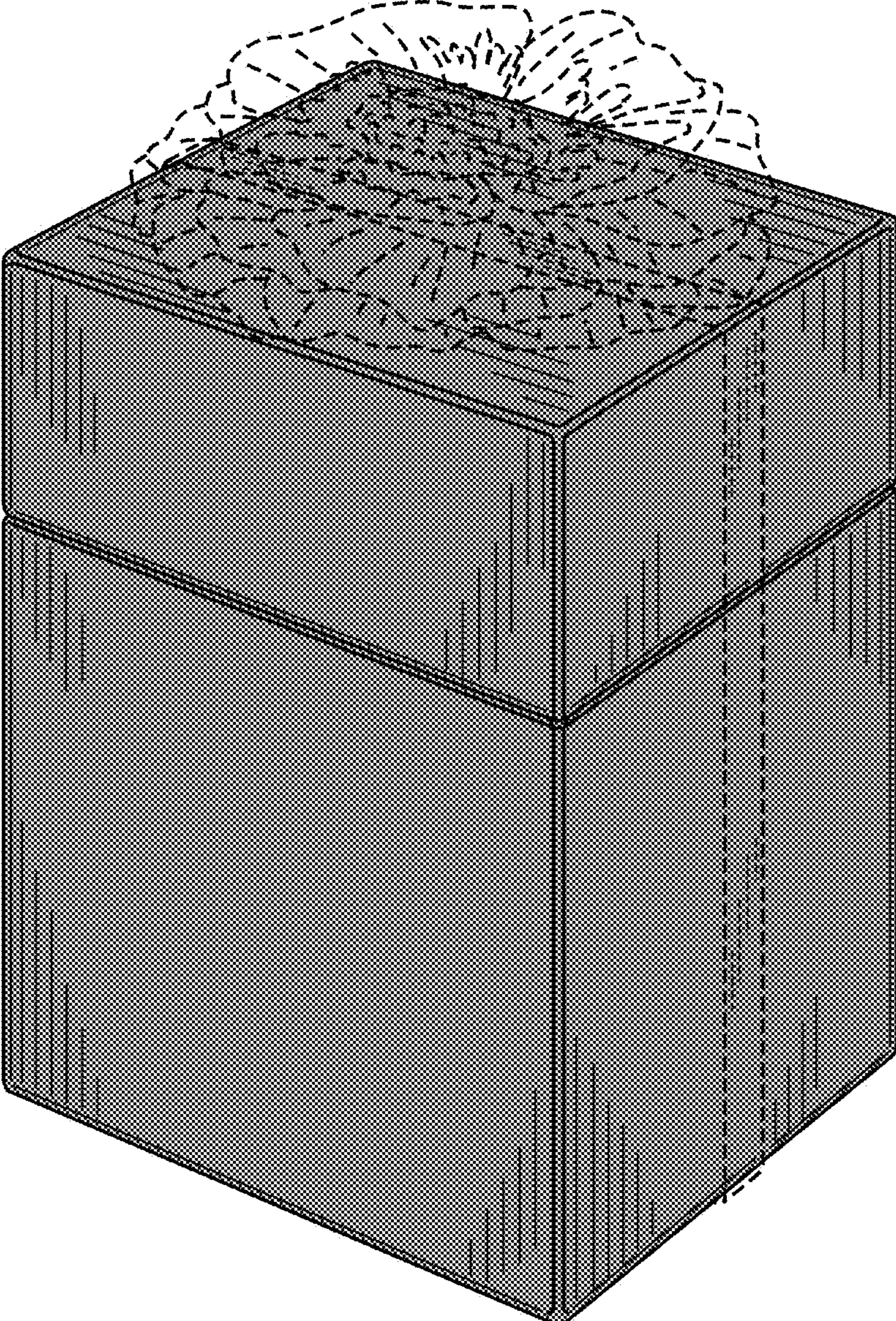


FIG. 1

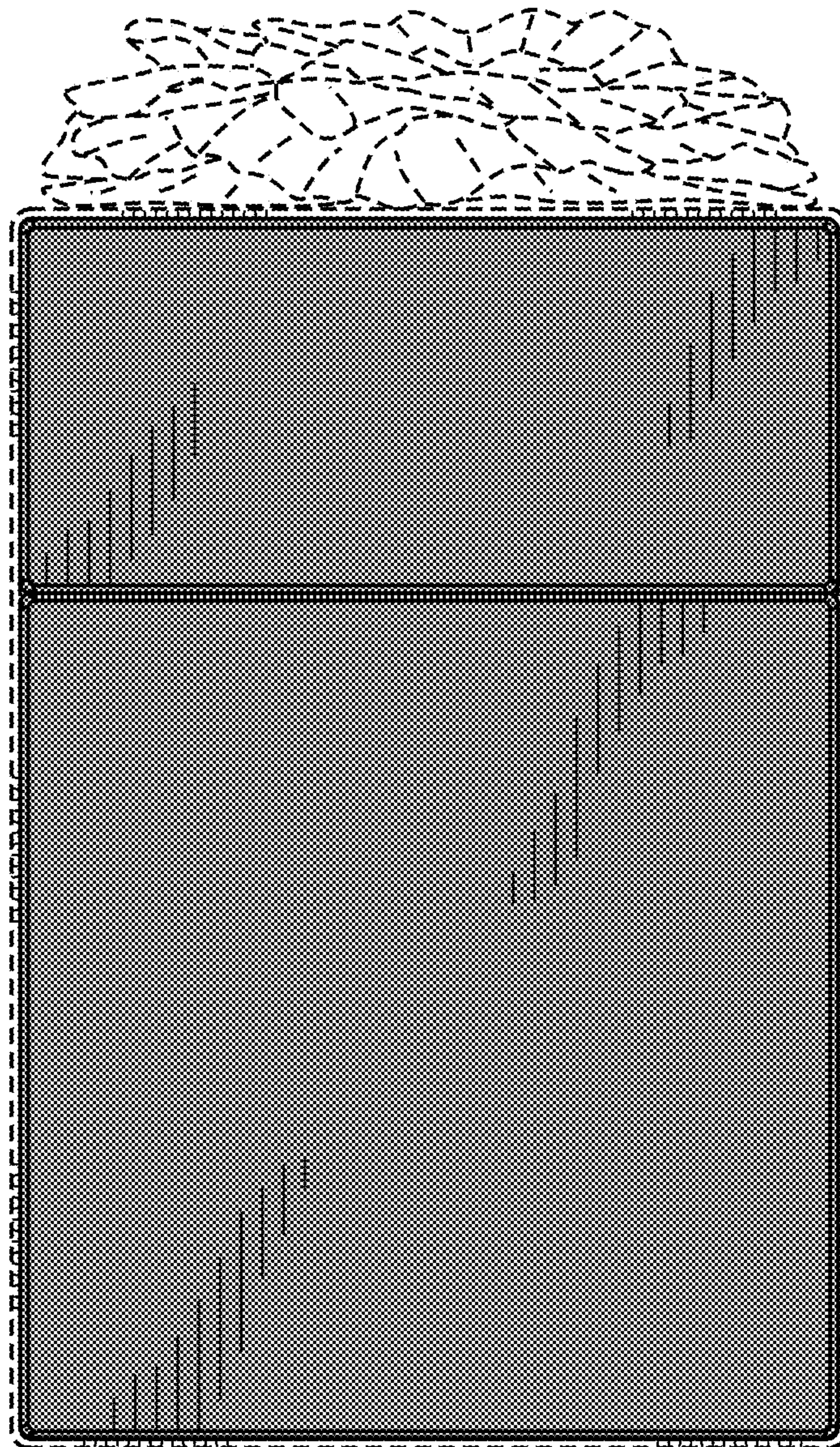


FIG. 2

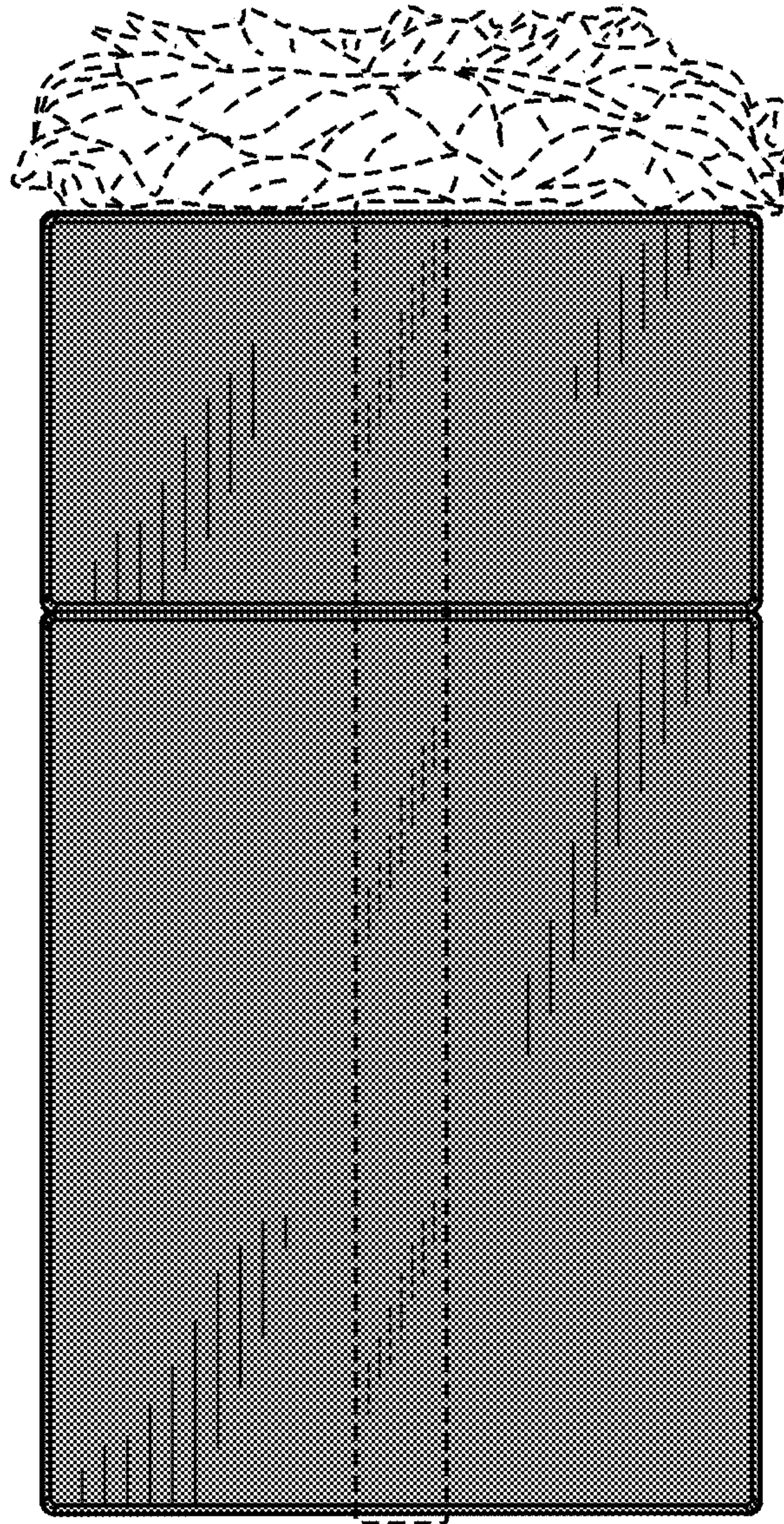


FIG. 3

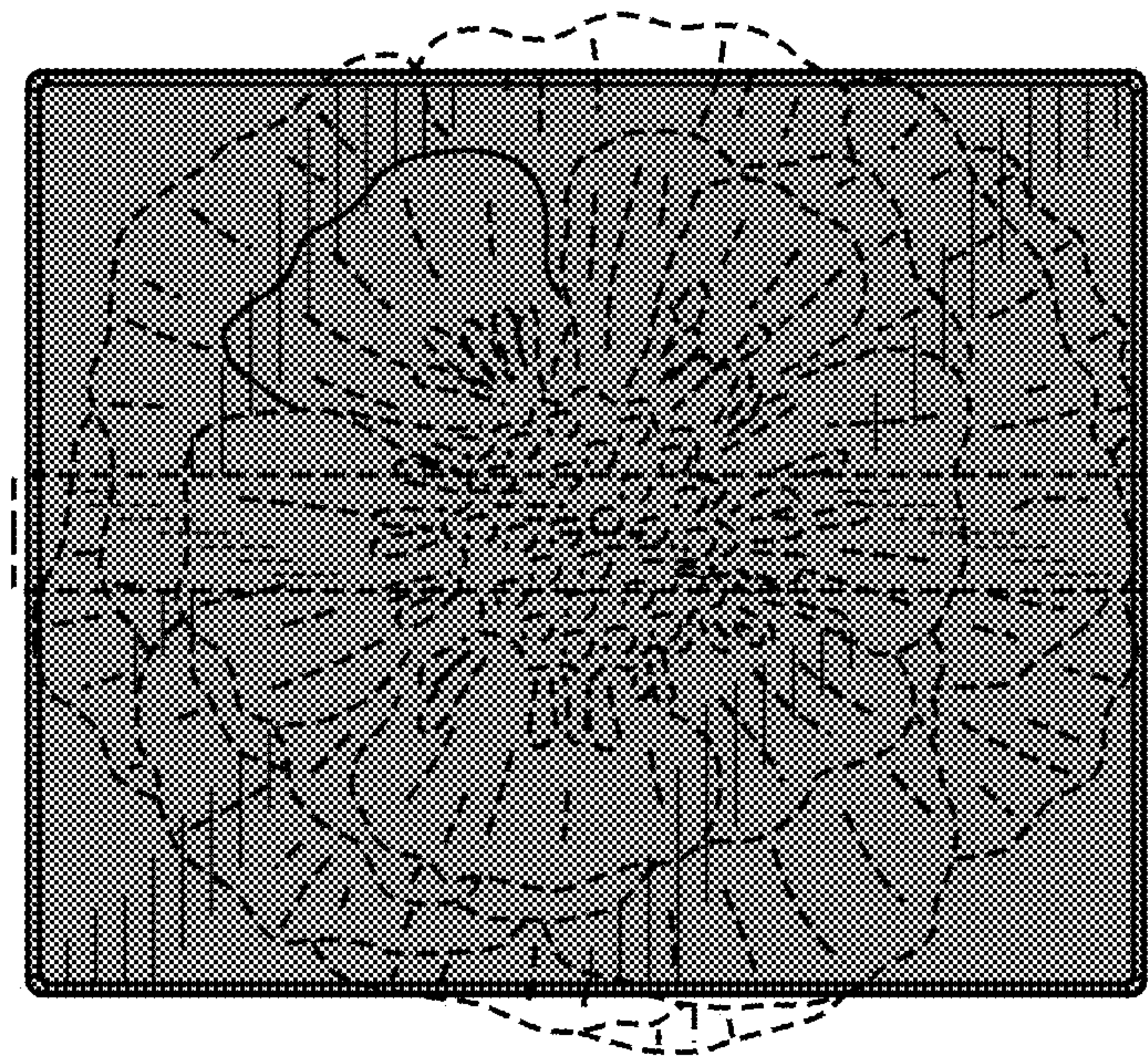


FIG. 4

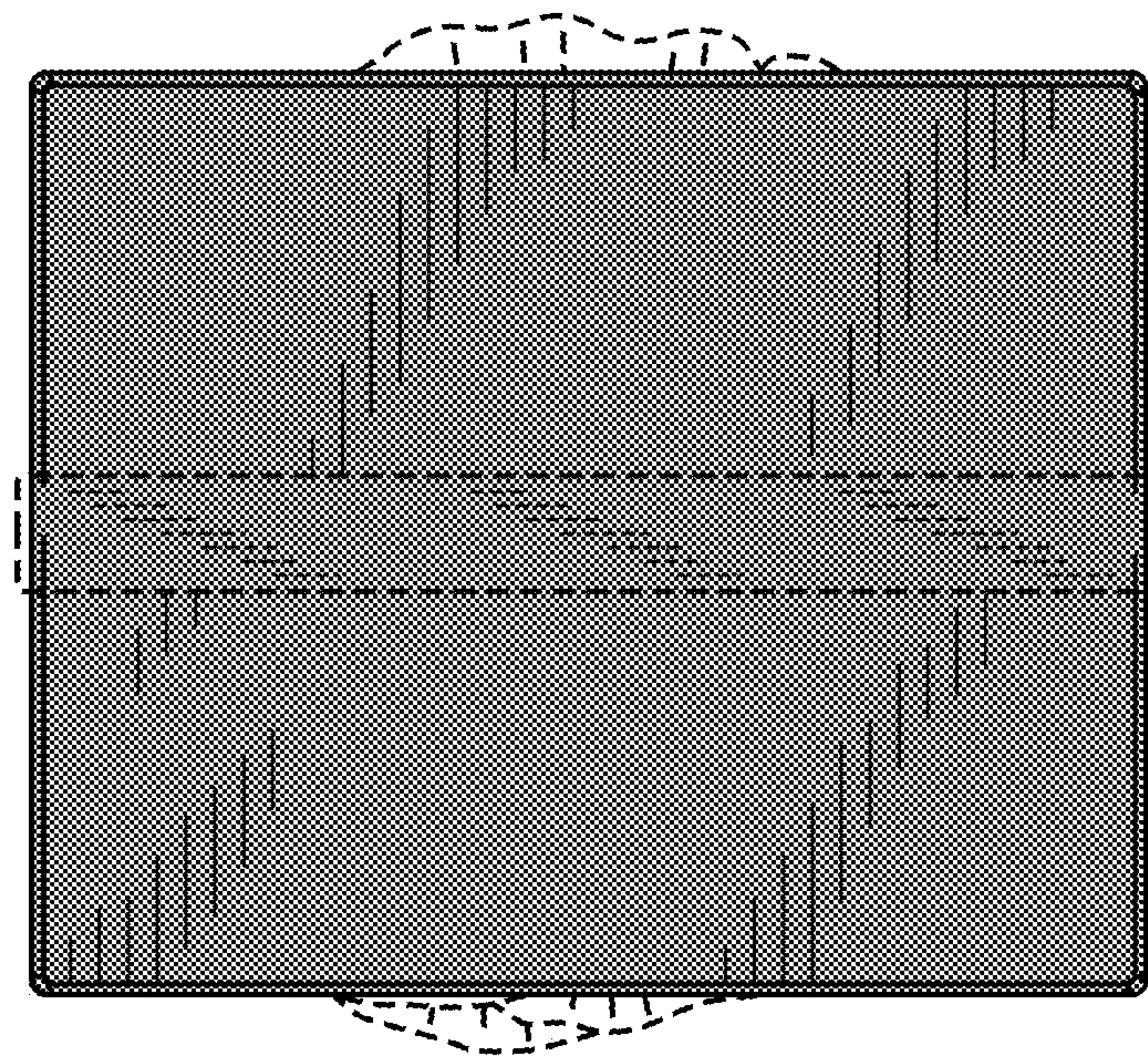


FIG. 5

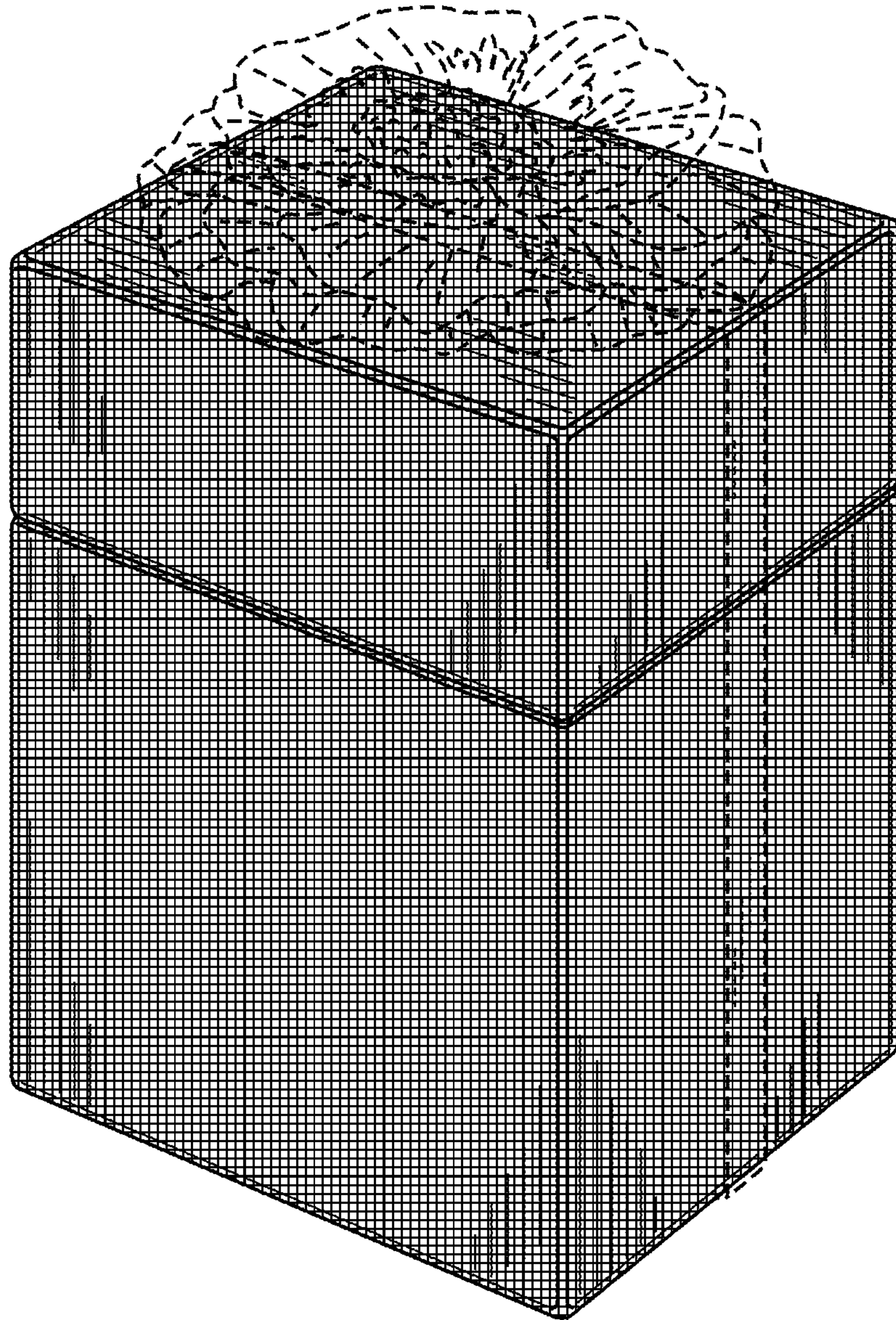


FIG. 6

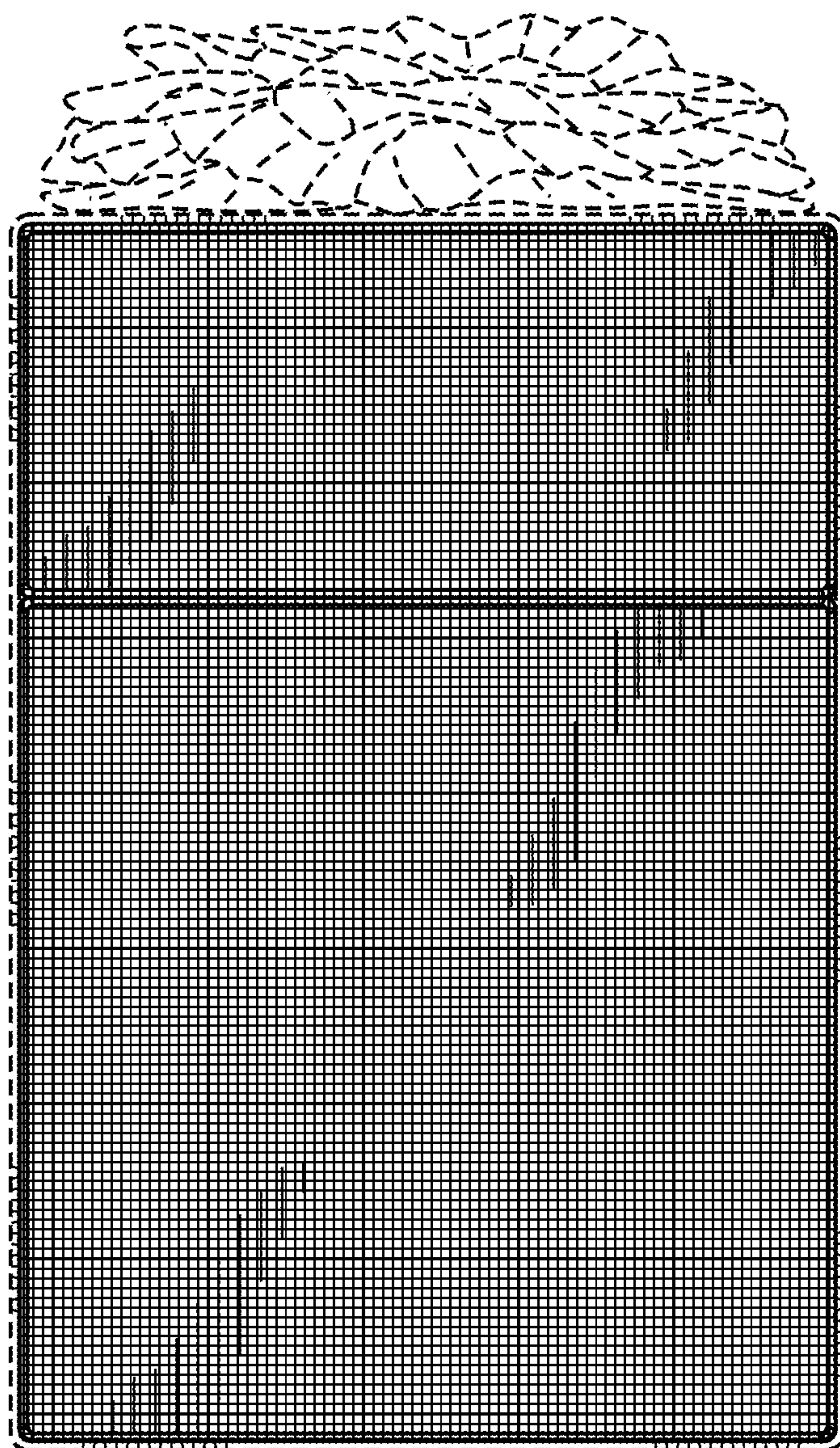


FIG. 7

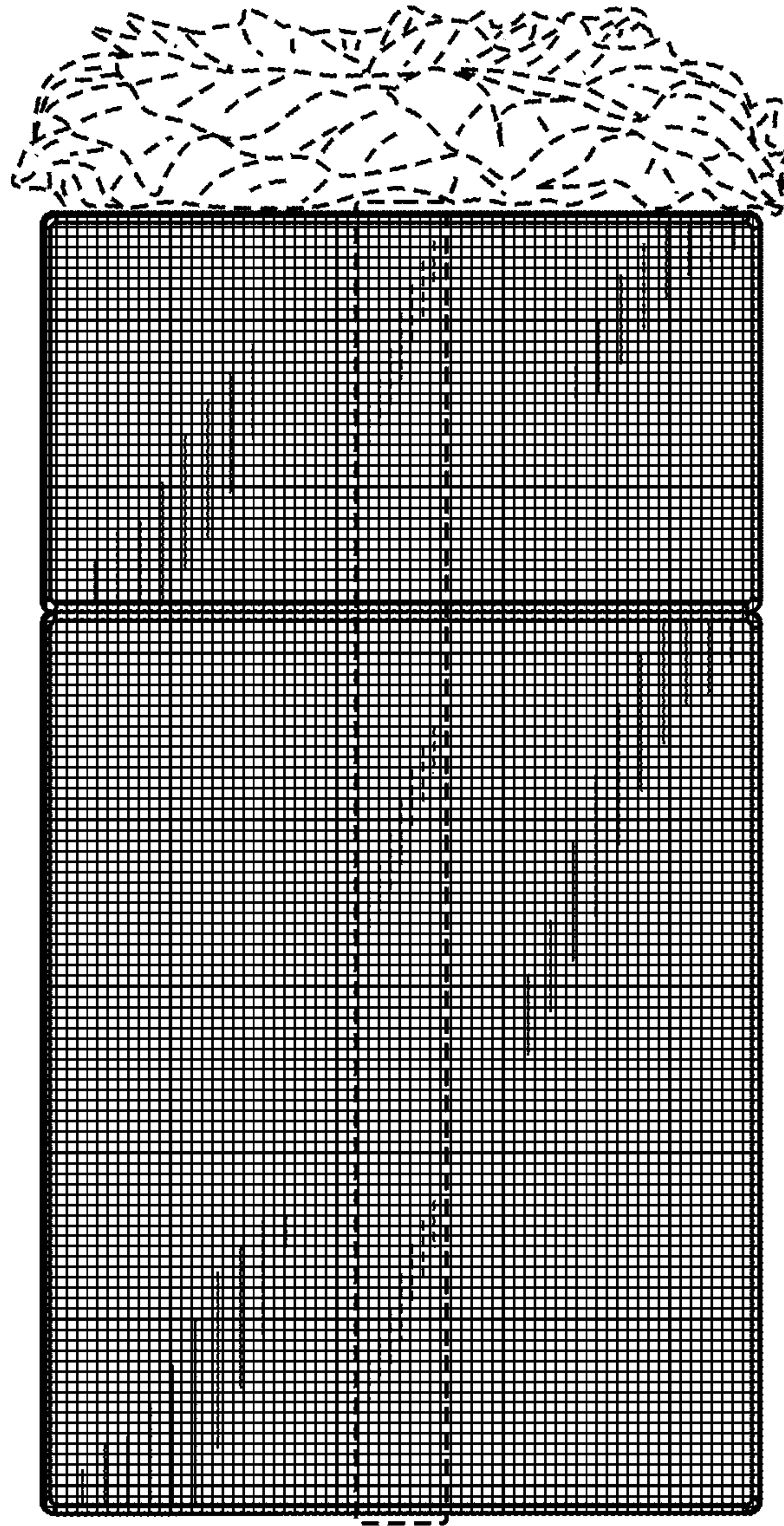


FIG. 8

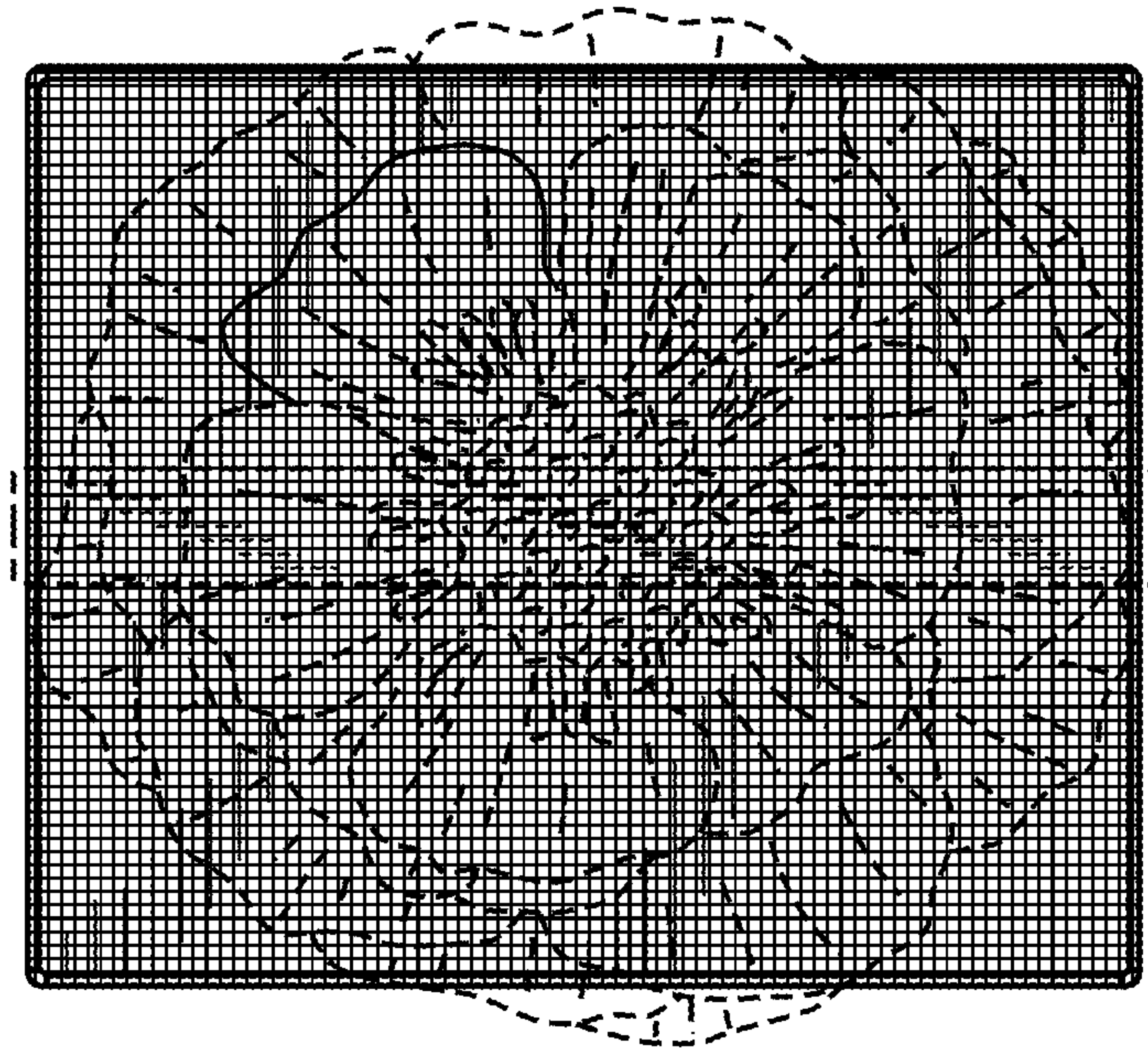


FIG. 9

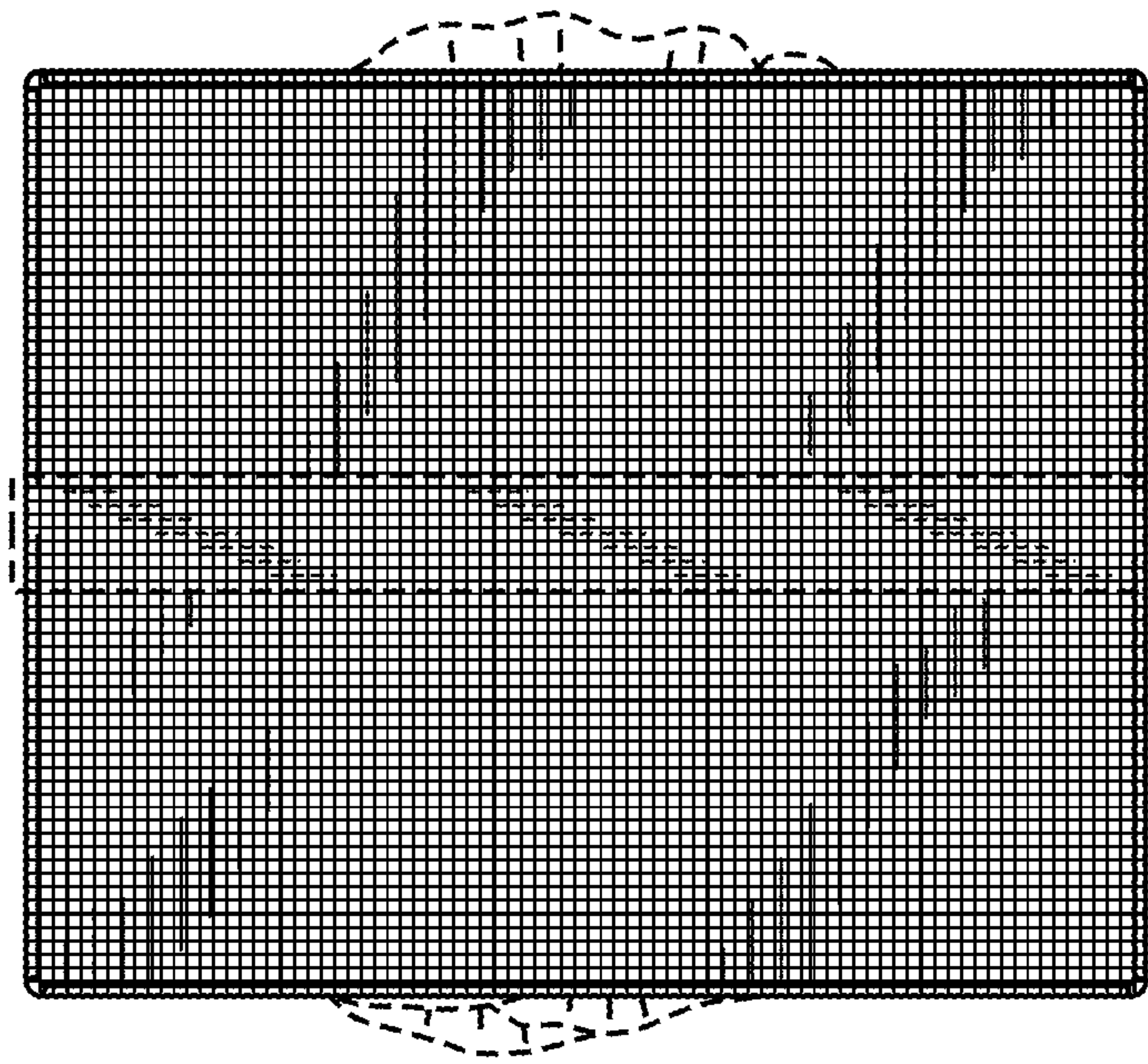


FIG. 10