



US00D790334S

(12) **United States Design Patent**
Pan et al.

(10) **Patent No.:** **US D790,334 S**
(45) **Date of Patent:** **** Jun. 27, 2017**

(54) **BLISTER PACKAGE**

(71) Applicant: **Reckitt Benckiser (Brands) Limited**,
Slough (GB)

(72) Inventors: **Kevin Pan**, Dongguan (CN); **Piotr Zaborniak**, Hull (GB); **Teun Franciscus van Wetten**, Eindhoven (NL)

(73) Assignee: **RECKITT BENCKISER (BRANDS) LIMITED**, Slough (GB)

(**) Term: **15 Years**

(21) Appl. No.: **29/554,381**

(22) Filed: **Feb. 11, 2016**

(30) **Foreign Application Priority Data**

Aug. 17, 2015 (EM) 002755736-0003

(51) **LOC (10) Cl.** **09-03**

(52) **U.S. Cl.**
USPC **D9/423**

(58) **Field of Classification Search**
USPC D9/423, 414, 449, 420, 429, 500, 504,
D9/428; D3/289, 203.2, 201, 302;
D14/204; D24/104; D6/407; D7/629,
D7/392.1, 538; 206/308.1, 205; 132/301
CPC ... G11B 33/0422; A45D 33/006; B65D 45/30
See application file for complete search history.

(56) **References Cited**

U.S. PATENT DOCUMENTS

1,709,182 A * 4/1929 McKnight A45D 33/006
132/301
2,681,142 A * 6/1954 Cohen B65D 45/30
206/205

D260,968 S * 9/1981 Pavia D9/428
D291,843 S * 9/1987 Searle D3/302
D314,449 S * 2/1991 Bakic D28/82
D335,085 S * 4/1993 Wacker D7/538
D364,090 S * 11/1995 Krupa D9/423
D366,737 S * 1/1996 Chen D28/78
D372,862 S * 8/1996 Fiori D9/428
D373,954 S * 9/1996 Wolff D3/302
D375,261 S * 11/1996 Fiori D9/428
D388,549 S * 12/1997 Mouyiaris D28/82
D411,105 S * 6/1999 Magidson D28/82
D415,652 S * 10/1999 Loew D7/392.1
D419,371 S * 1/2000 Haley D7/392.1
D420,172 S * 2/2000 Thorpe D28/82
D422,381 S * 4/2000 Gobe D28/82
D436,532 S * 1/2001 Richardson D24/104
6,170,657 B1 * 1/2001 Allsop G11B 33/0422
206/308.1
D441,144 S * 4/2001 Vanoncini D28/82
D441,649 S * 5/2001 Wolff D9/417
D463,884 S * 10/2002 Fang D28/82

(Continued)

Primary Examiner — Rhea Shields

(74) *Attorney, Agent, or Firm* — Troutman Sanders LLP;
Ryan Schneider; Chris Davis

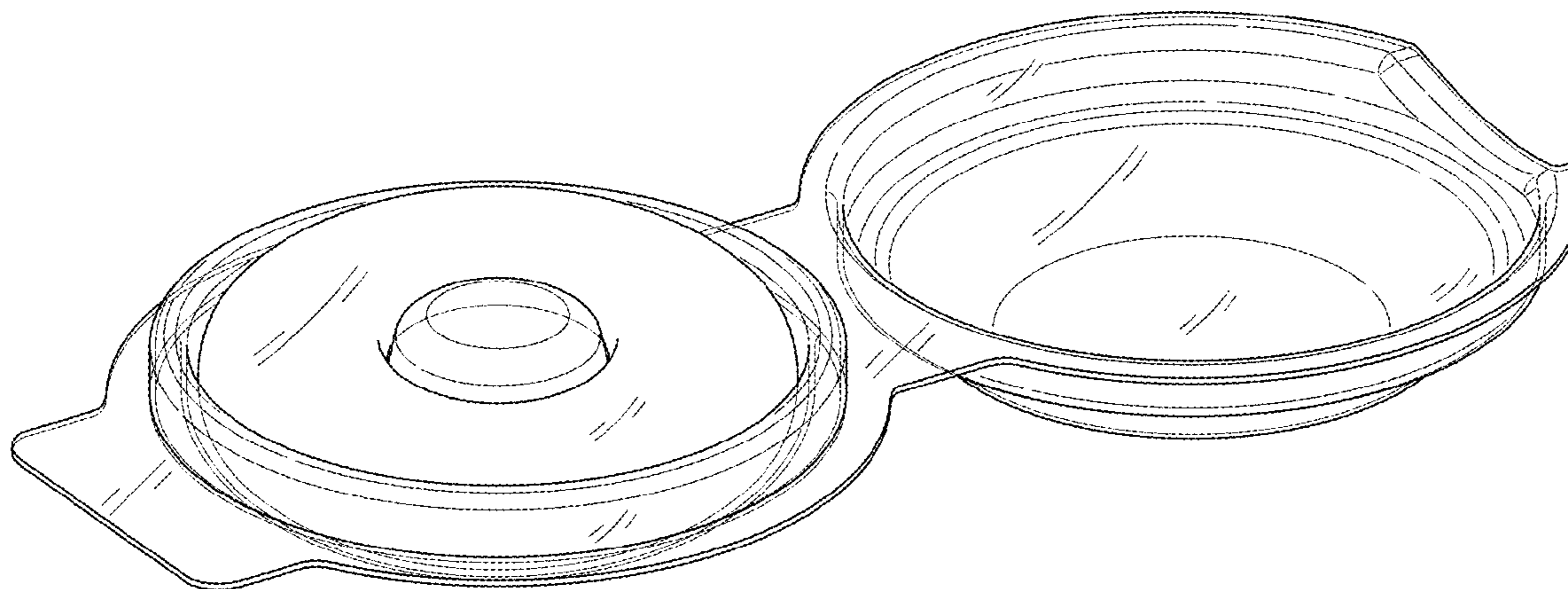
(57) **CLAIM**

The ornamental design for a blister package, as shown and described.

DESCRIPTION

FIG. 1 is a perspective view of a blister package of the present invention;
FIG. 2 is a front view of the blister package of FIG. 1;
FIG. 3 is a back view of the blister package of FIG. 1;
FIG. 4 is a side view of the blister package of FIG. 1;
FIG. 5 is the other side view of the blister package of FIG. 1;
FIG. 6 is a top view of the blister package of FIG. 1; and,
FIG. 7 is a bottom view of the blister package of FIG. 1.

1 Claim, 5 Drawing Sheets



(56)

References Cited

U.S. PATENT DOCUMENTS

D472,803	S	*	4/2003	Saunders	D9/423
D485,942	S	*	1/2004	McLeish	D28/8.1
D505,596	S	*	5/2005	Tucker	D7/629
D533,387	S	*	12/2006	Huang	D6/407
D560,488	S	*	1/2008	Rust	D9/414
D562,133	S	*	2/2008	Liebe	D9/449
D629,202	S	*	12/2010	Wai	D3/201
D645,339	S	*	9/2011	Oakes	D9/420
D650,269	S	*	12/2011	Berggren	D9/423
D677,156	S	*	3/2013	Wu	D9/429
D695,576	S	*	12/2013	Roehrig	D7/629
D707,039	S	*	6/2014	Zerlin	D3/203.2
D708,940	S	*	7/2014	Juna	D9/420
D730,727	S	*	6/2015	Chen	D9/500
D756,216	S	*	5/2016	El-Debs	D9/420
D756,790	S	*	5/2016	Henriksson	D9/504
D758,989	S	*	6/2016	Vogt, Jr.	D14/204
D767,986	S	*	10/2016	Epstein	D3/289

* cited by examiner

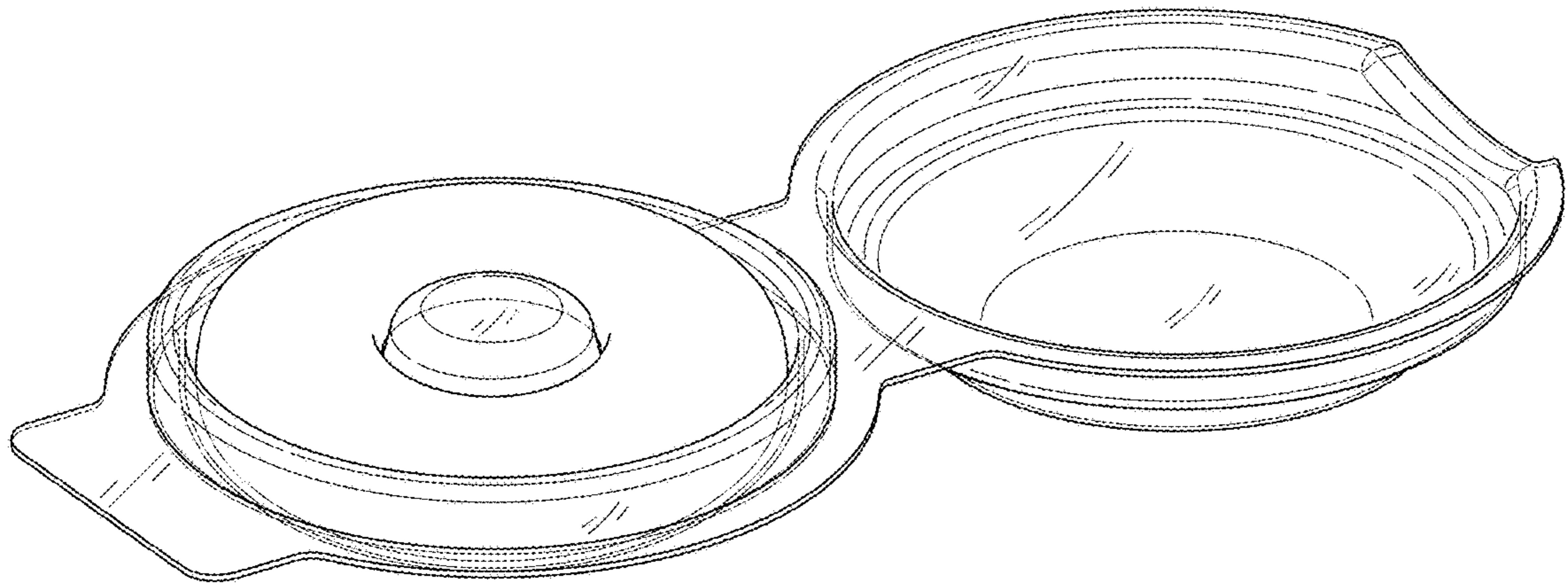


Fig. 1

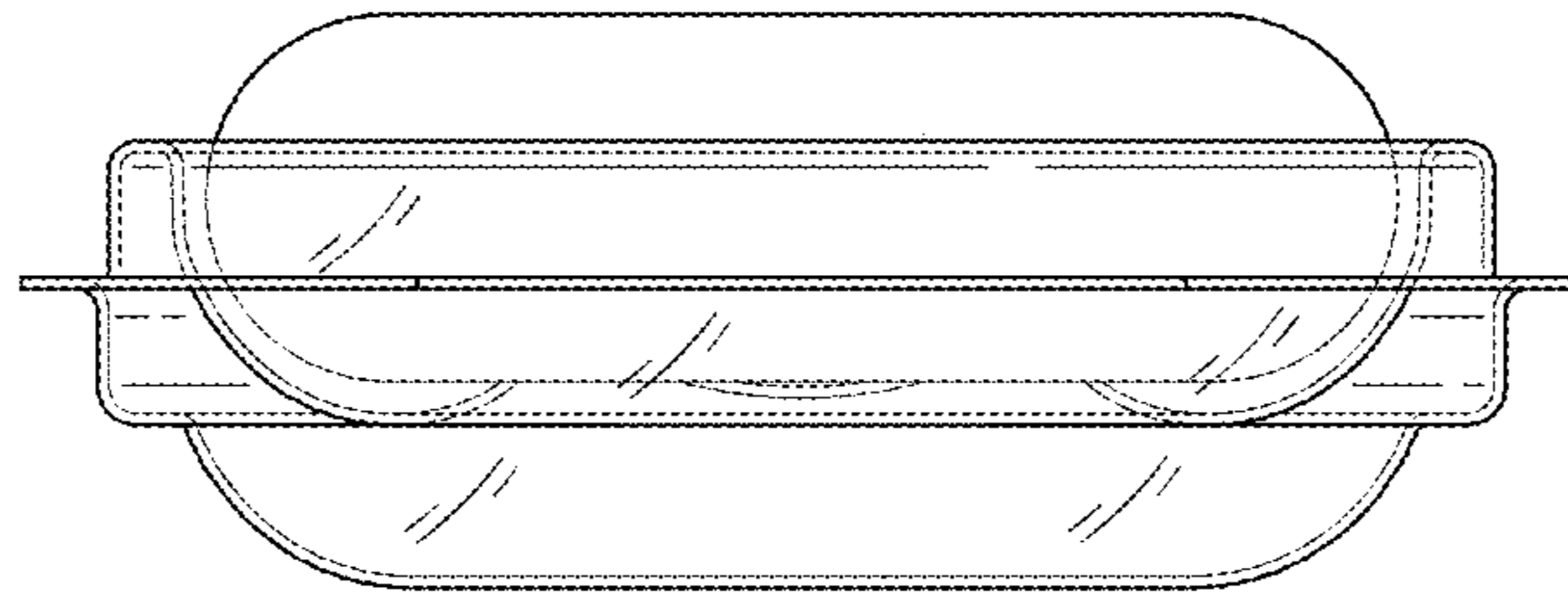


Fig. 2

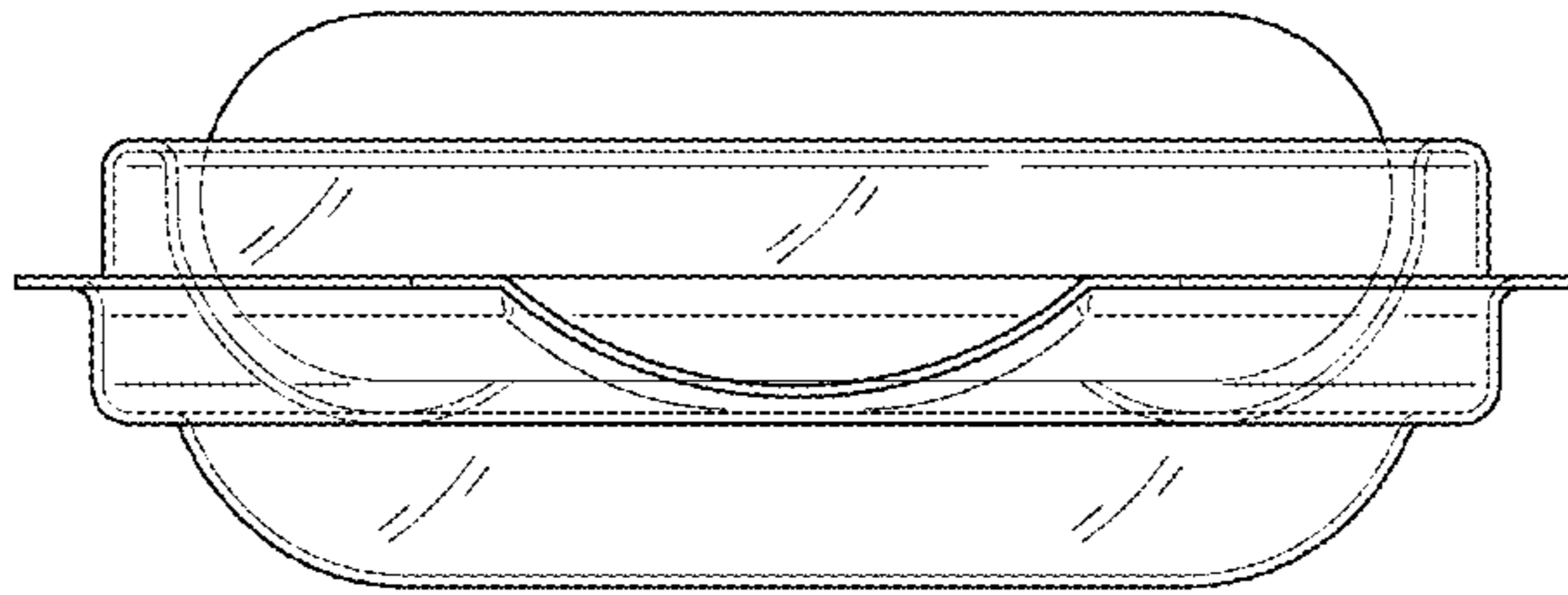


Fig. 3

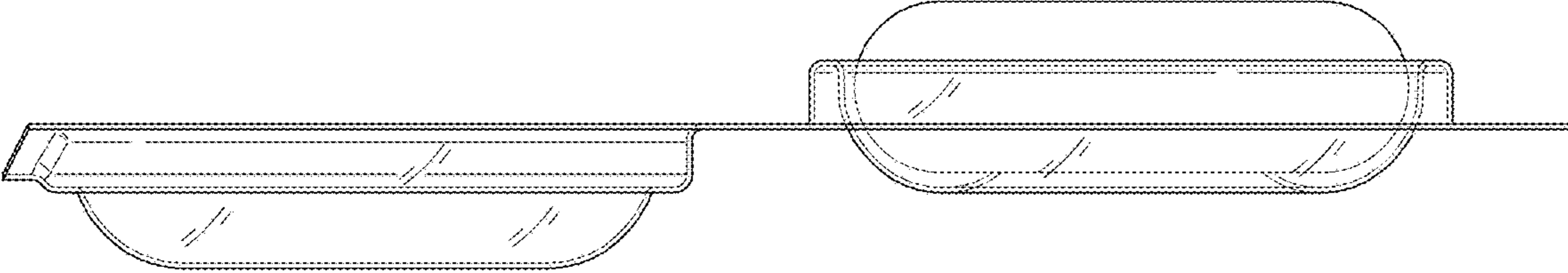


Fig. 4

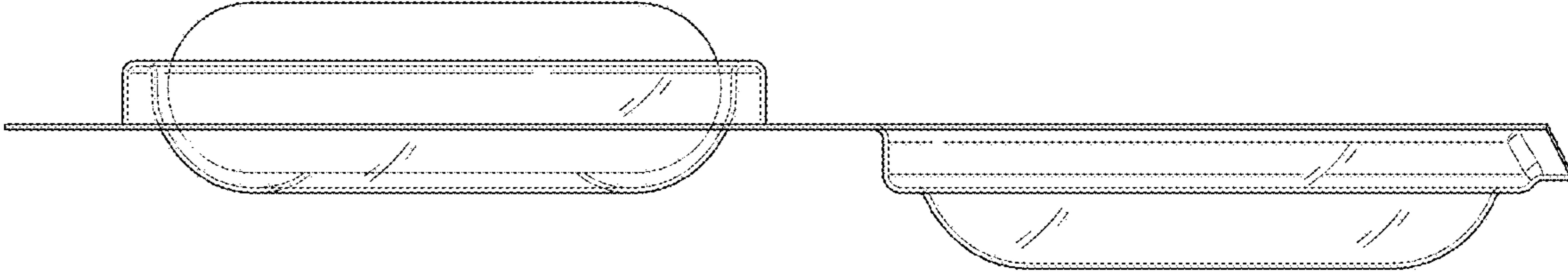


Fig. 5

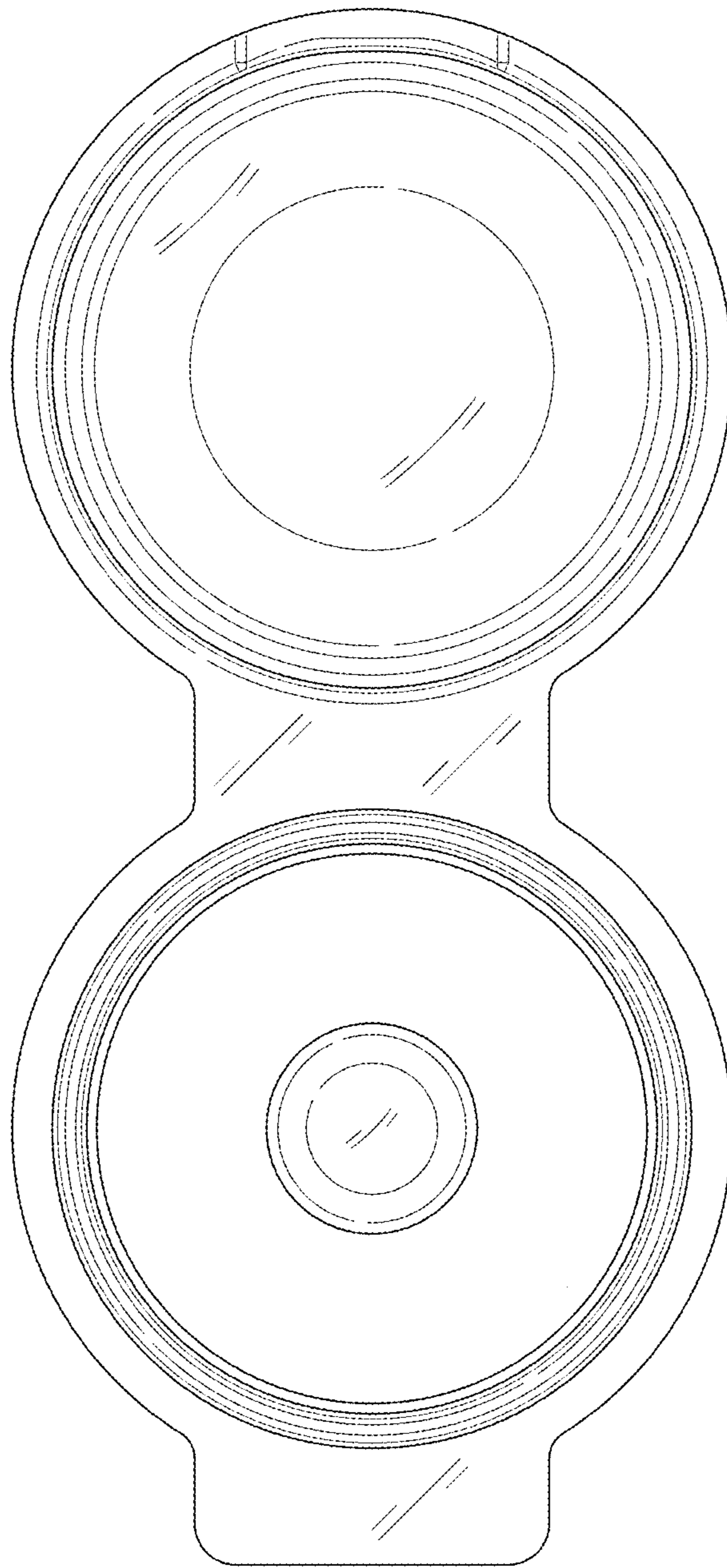


Fig. 6

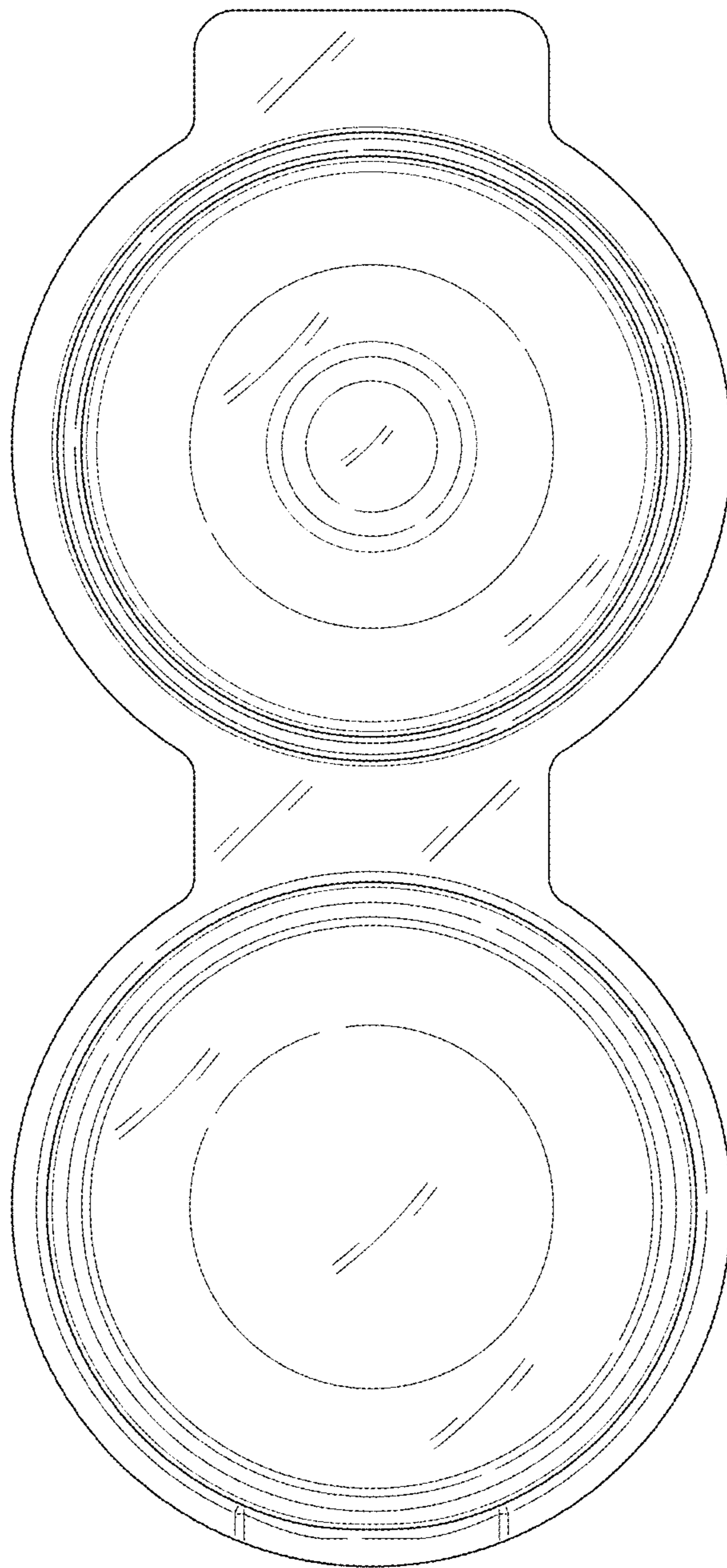


Fig. 7