

US00D790332S

(12) **United States Design Patent**
Dresser, III

(10) **Patent No.: US D790,332 S**
(45) **Date of Patent: ** *Jun. 27, 2017**

(54) **DISPLAY STAND CLAMP**

FOREIGN PATENT DOCUMENTS

(71) Applicant: **New Concepts Development Corp.**,
Woodstock, IL (US)

JP D1339888 * 9/2008
JP D1471447 * 6/2013

(Continued)

(72) Inventor: **Walter James Dresser, III**, Sycamore,
IL (US)

OTHER PUBLICATIONS

(73) Assignee: **New Concepts Development Corp.**,
Woodstock, IL (US)

Amazon.com: General Wire Spring SV-25 Drain Cleaner Cable Gripper, online, review date Jun. 29, 2014, http://www.amazon.com/General-Wire-Spring-SV-25-Cleaner/dp/B0006TXAW0/ref=sr_1_4?ie=UTF8&qid=1450302889&sr=8-4&keywords=wire+gripper, [site visited Dec. 16, 2015 5:01:20 PM].*

(*) Notice: This patent is subject to a terminal disclaimer.

(**) Term: **14 Years**

Primary Examiner — John Windmuller

(21) Appl. No.: **29/508,787**

Assistant Examiner — John R Yeh

(22) Filed: **Nov. 11, 2014**

(74) *Attorney, Agent, or Firm* — Scherrer Patent & Trademark Law, P.C.; Stephen T. Scherrer; Monique A. Morneault

(51) **LOC (10) Cl.** **08-08**

(52) **U.S. Cl.**
USPC **D8/394**

(57) **CLAIM**

(58) **Field of Classification Search**
USPC D8/71, 373, 354, 383, 394-396
CPC ... E04F 21/18; A47C 9/00; A47C 7/66; A47C 21/022; B65G 21/20; B65G 21/2072; B65G 7/12; A01K 97/10
See application file for complete search history.

I claim the ornamental design for a display stand clamp, as shown and described.

DESCRIPTION

(56) **References Cited**

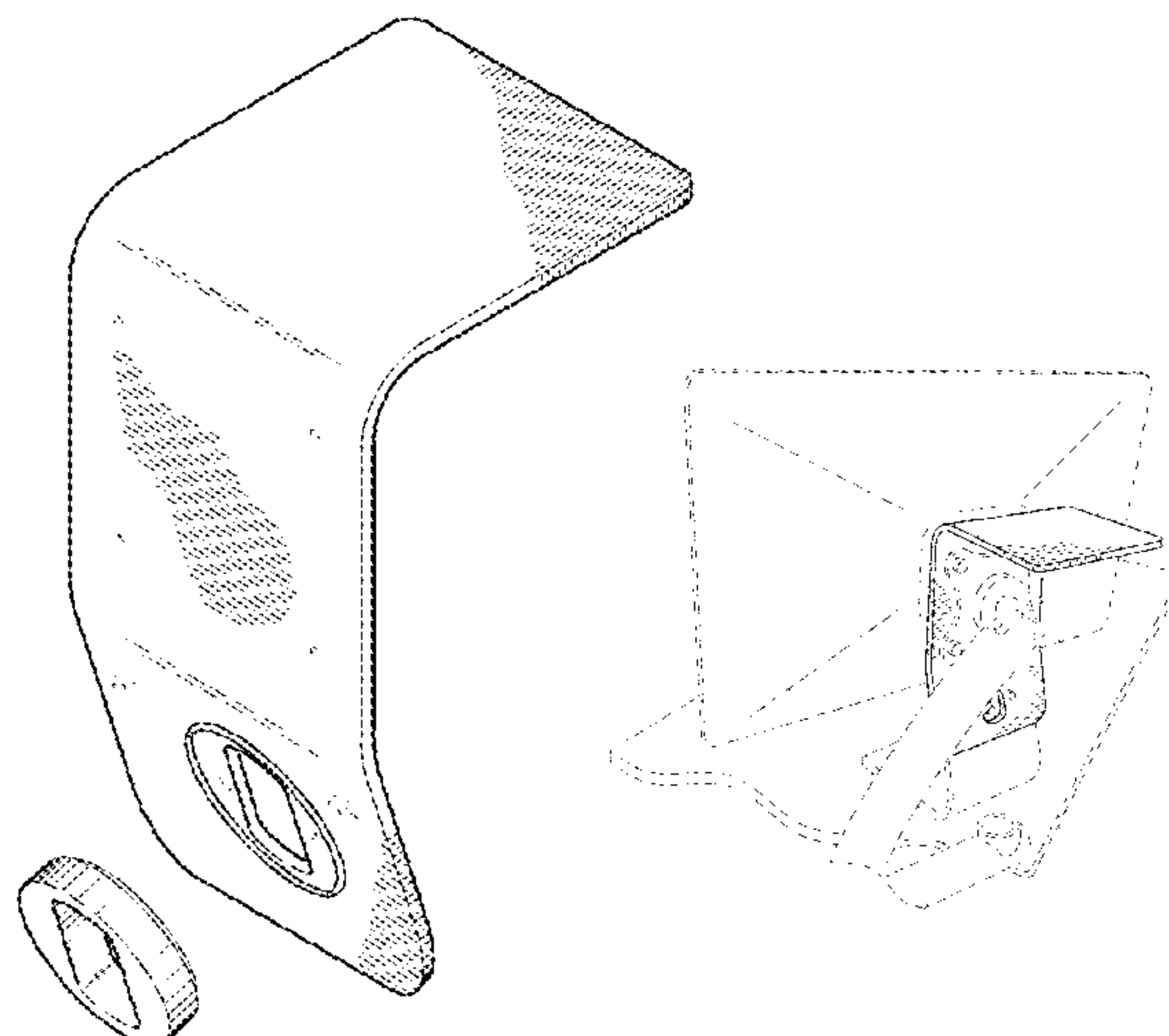
U.S. PATENT DOCUMENTS

- D230,827 S * 3/1974 Brown D8/354
- D246,572 S * 12/1977 Walter D15/140
- 4,278,225 A * 7/1981 Phelps A61J 1/06
248/311.3
- D270,574 S * 9/1983 Black D25/68
- D283,032 S * 3/1986 Quesnel D17/20
- D306,689 S * 3/1990 Hamann D6/535
- D312,205 S * 11/1990 de Rooij 40/759
- D322,211 S * 12/1991 Gary D8/373
- D327,642 S * 7/1992 Foubister D8/373
- D345,906 S * 4/1994 Schmidt D8/373

(Continued)

FIG. 1 is a perspective view of my design for a display stand clamp;
FIG. 2 is a top view thereof;
FIG. 3 is a bottom view thereof;
FIG. 4 is a left side view thereof;
FIG. 5 is a right side view thereof;
FIG. 6 is a front view thereof;
FIG. 7 is a rear view thereof;
FIG. 8 is a rear perspective view of the display stand clamp shown in the environment of its intended use thereof; and, FIG. 9 is a front view of the display stand clamp shown in the environment of its intended use thereof.
The broken lines are included to illustrate environment of the display stand clamp and form no part of the claimed design.

1 Claim, 5 Drawing Sheets



(56)

References Cited

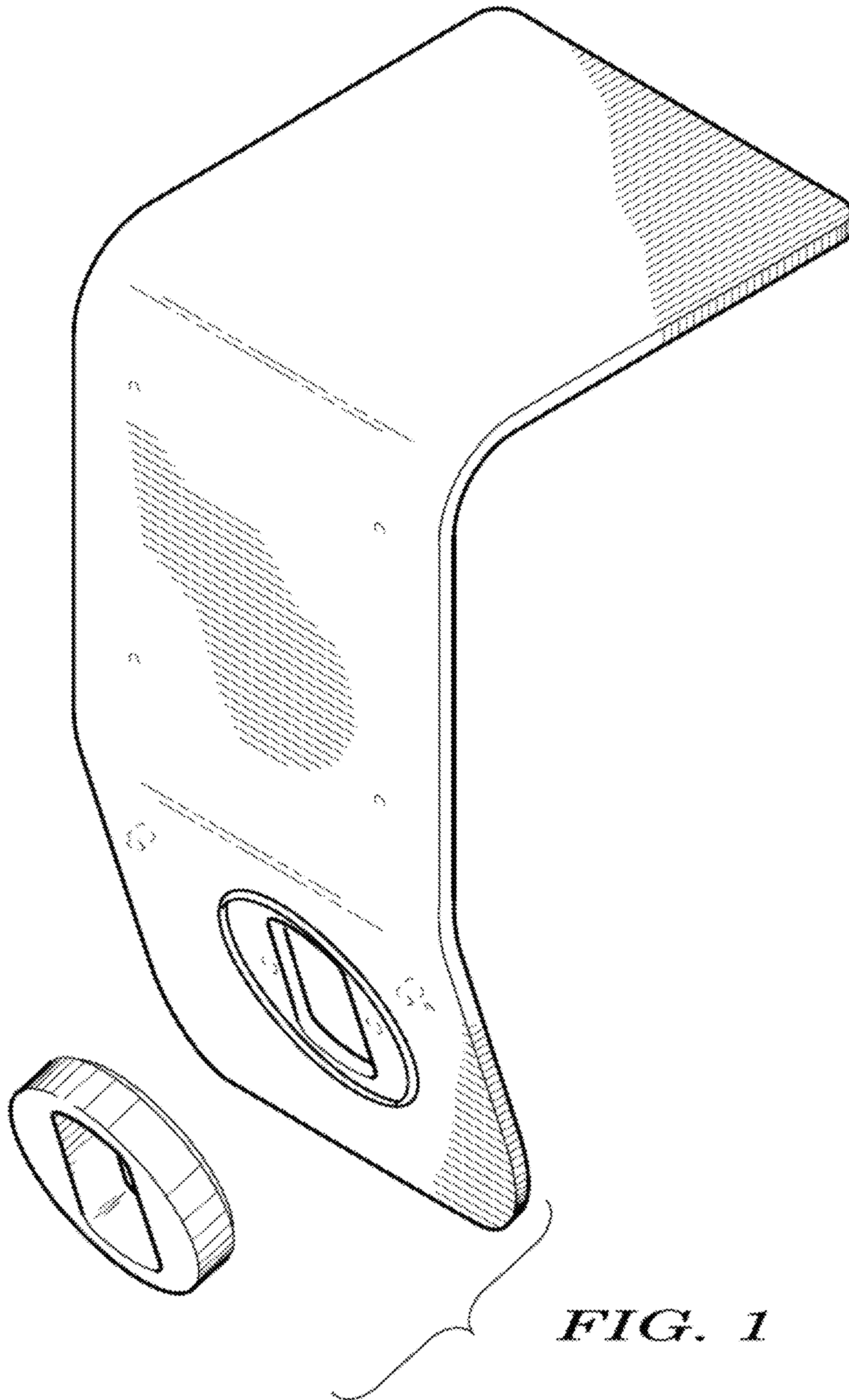
U.S. PATENT DOCUMENTS

D356,243 S * 3/1995 Eckerman D8/373
D384,877 S * 10/1997 Perrin D8/354
D391,915 S * 3/1998 Miller D12/223
D409,077 S * 5/1999 Brooks D8/354
D510,517 S * 10/2005 Noack D8/373
D520,322 S * 5/2006 Orlando D8/354
D542,632 S * 5/2007 Hill D8/373
D571,640 S * 6/2008 Misch D8/354
D582,918 S * 12/2008 Scott D14/432
D636,927 S * 4/2011 Lin D26/138
D648,031 S * 11/2011 Roggenkamp D24/184
D655,419 S * 3/2012 Roggenkamp D24/184
D672,287 S * 12/2012 Noble D12/159
D674,683 S * 1/2013 Shea D8/373

FOREIGN PATENT DOCUMENTS

KR 300539977.0000 * 9/2009
KR 300681460.0000 * 2/2013
RU 00084137 * 1/2013

* cited by examiner



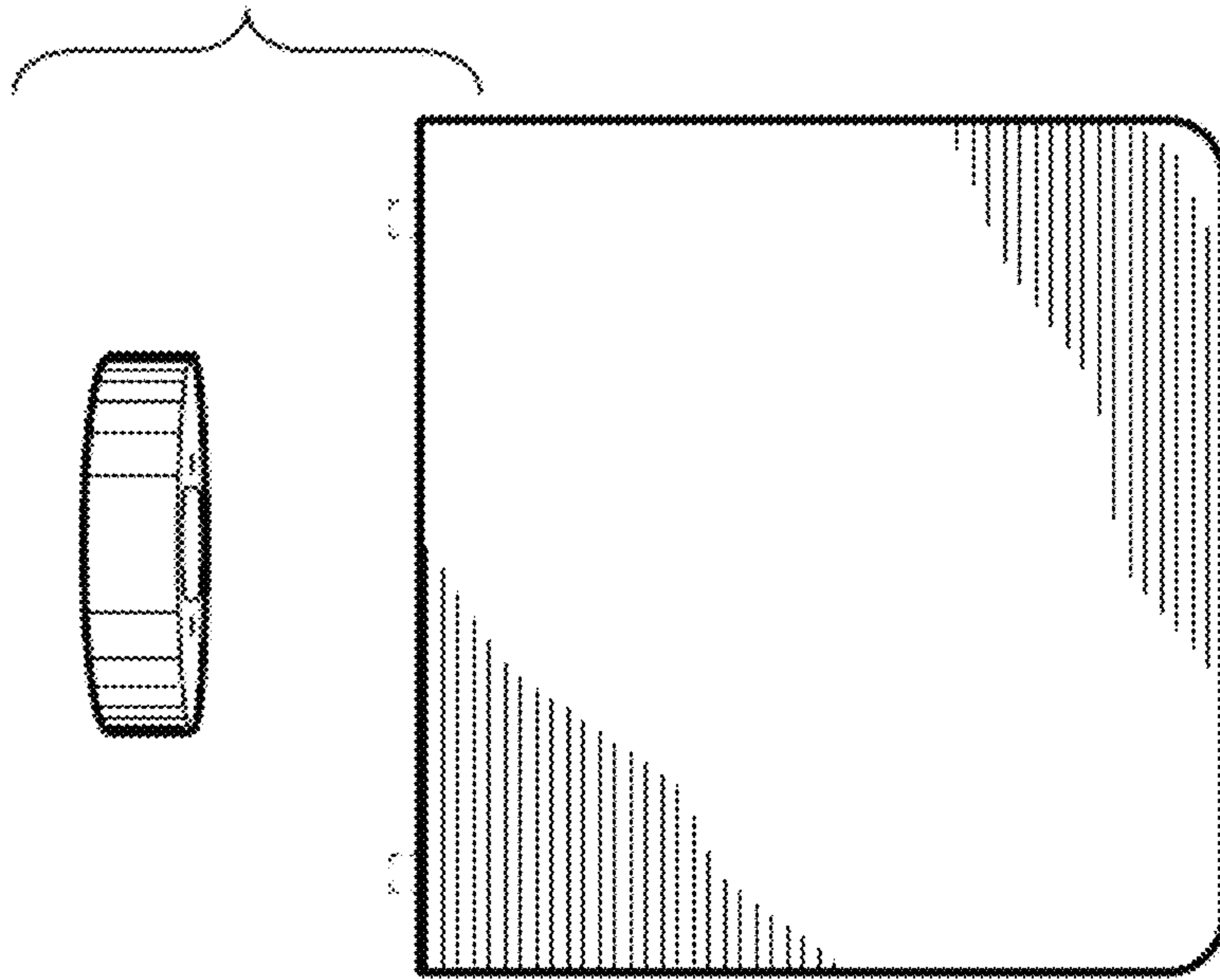


FIG. 2

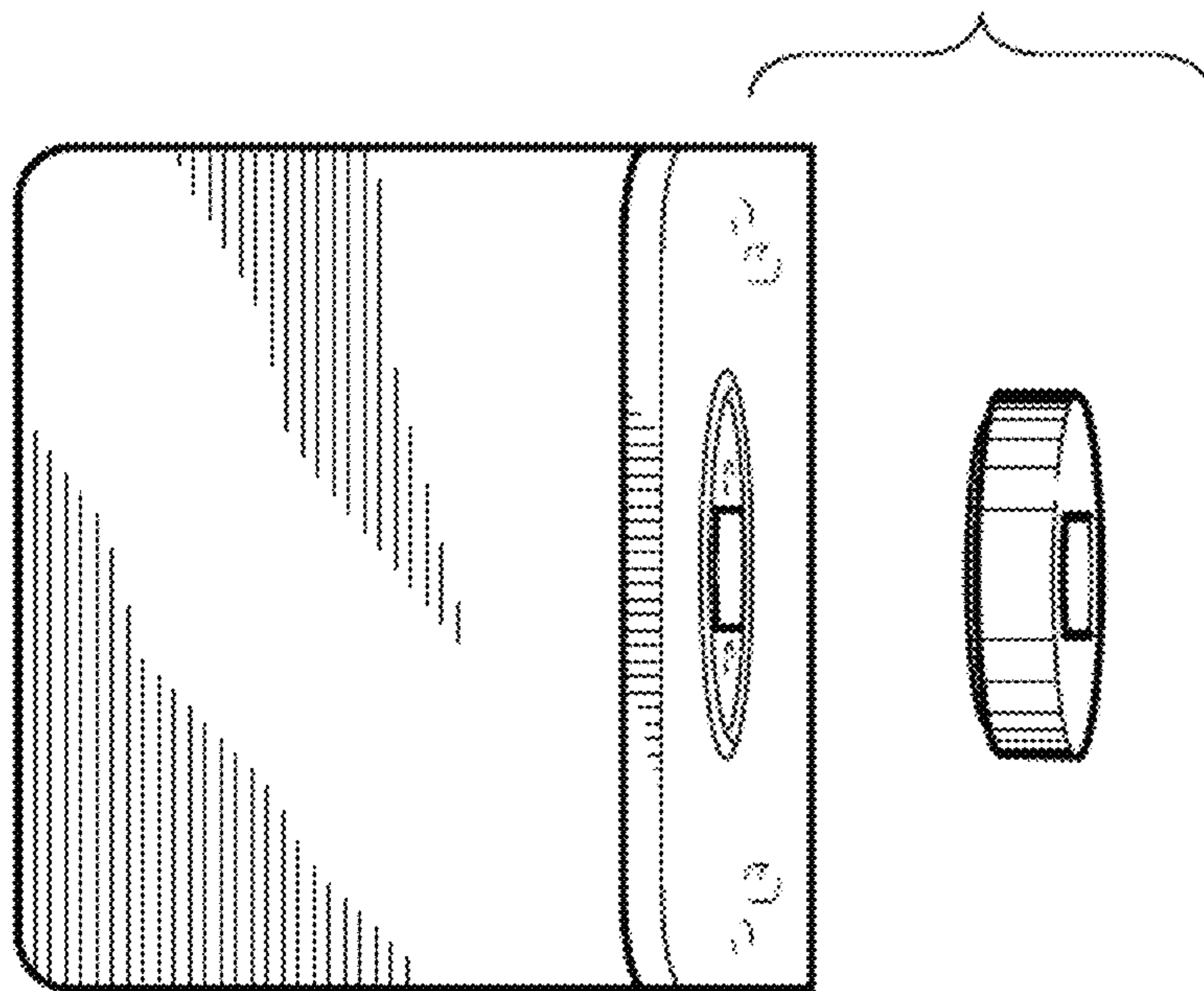


FIG. 3

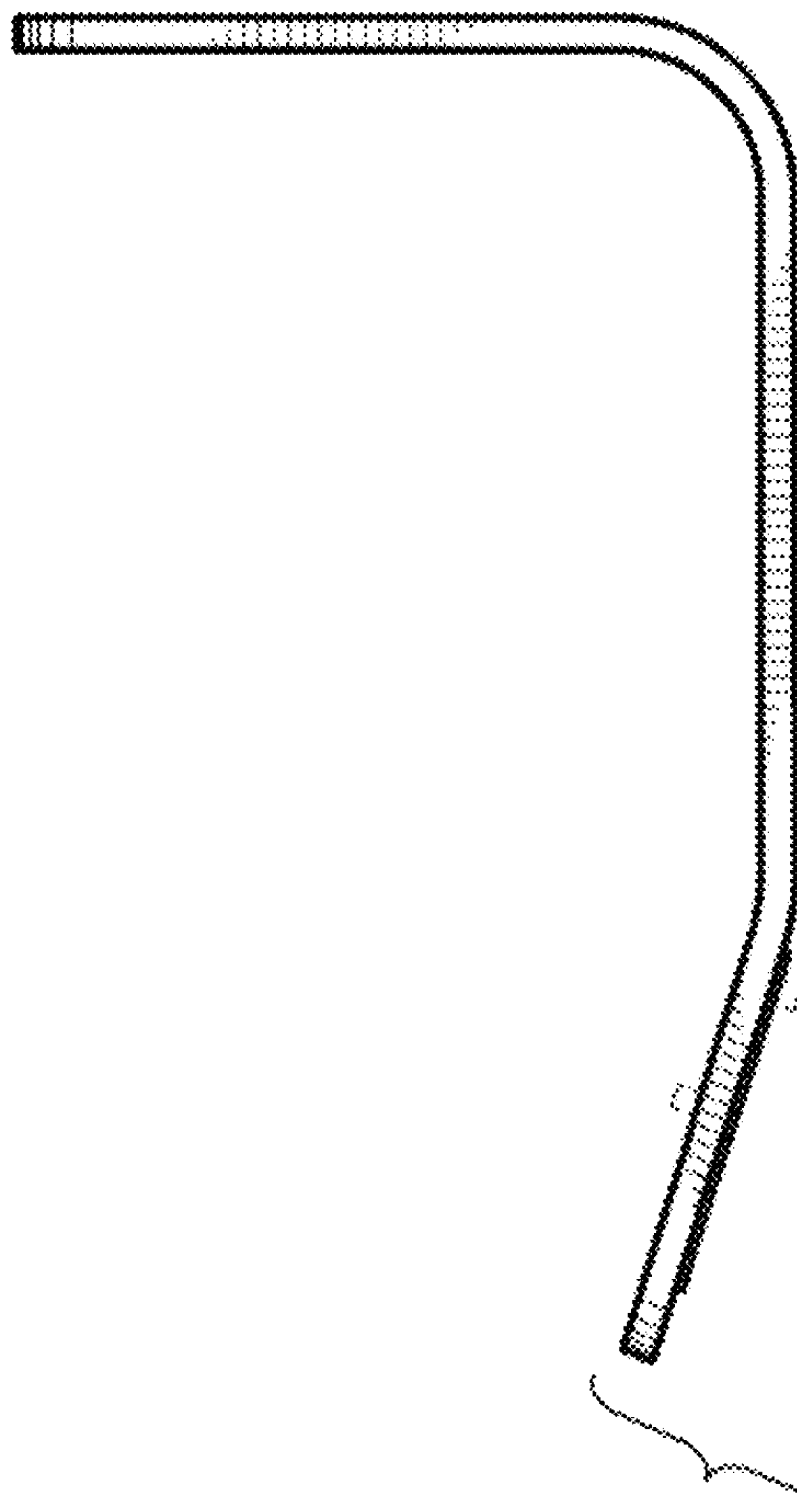
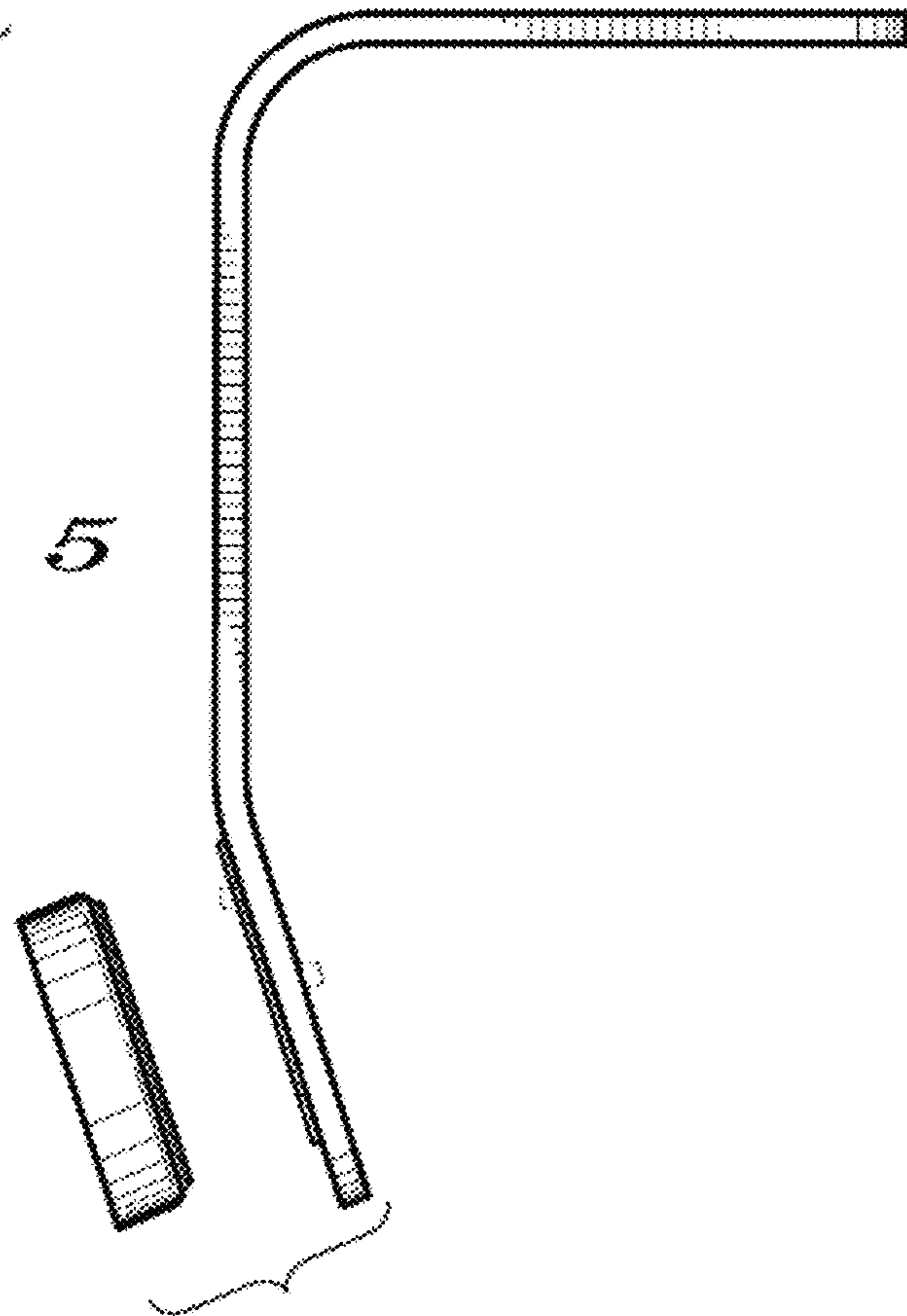


FIG. 4

FIG. 5



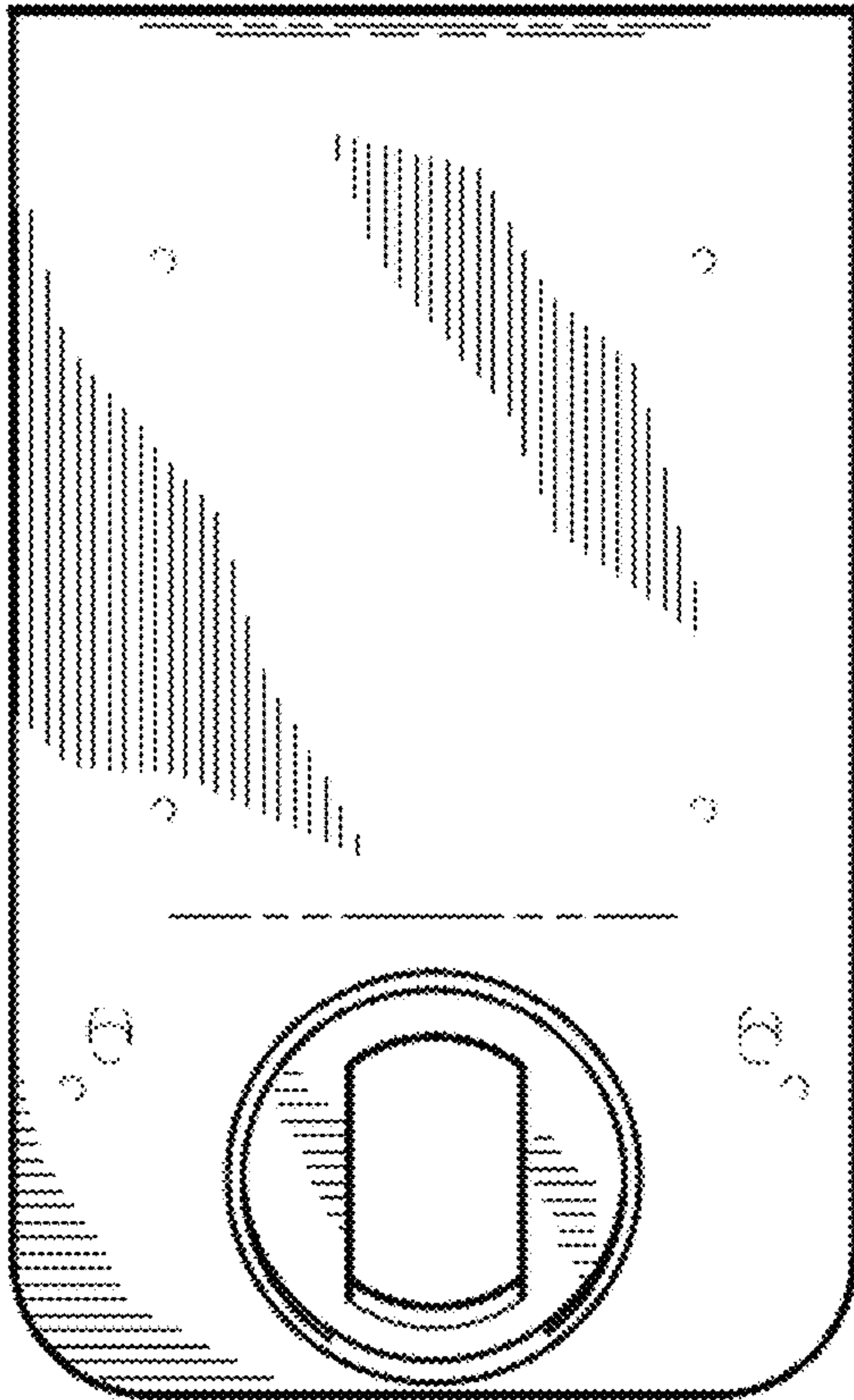


FIG. 6

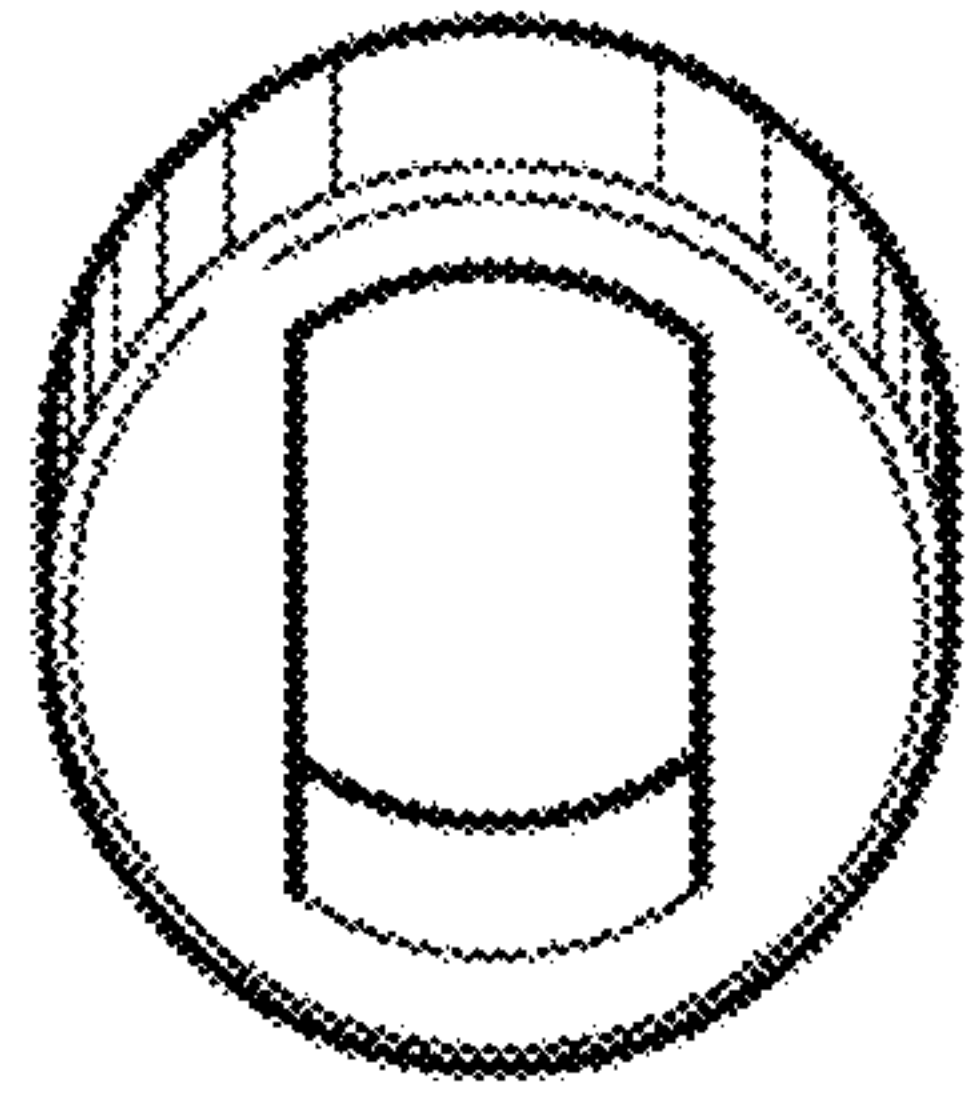
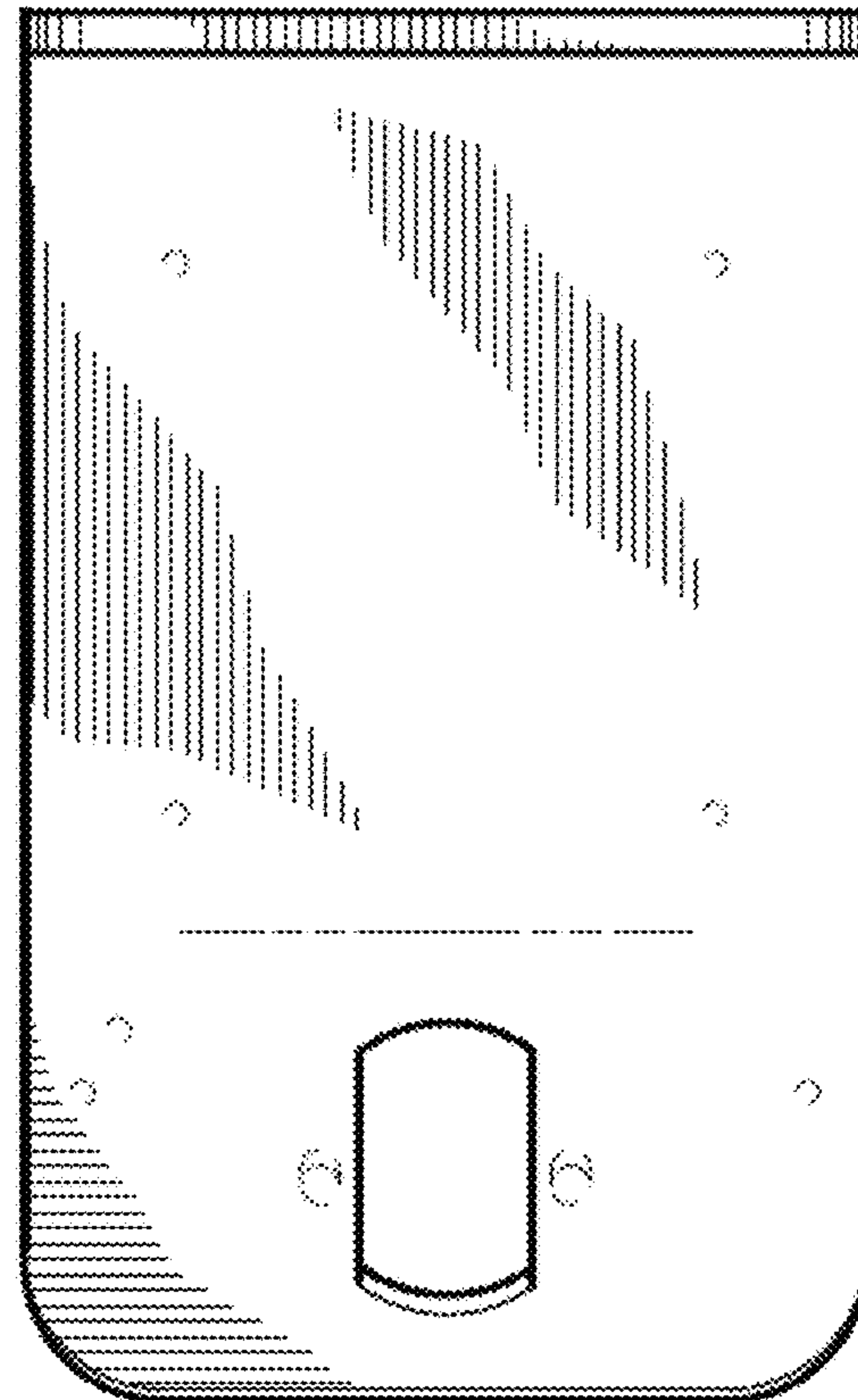


FIG. 7



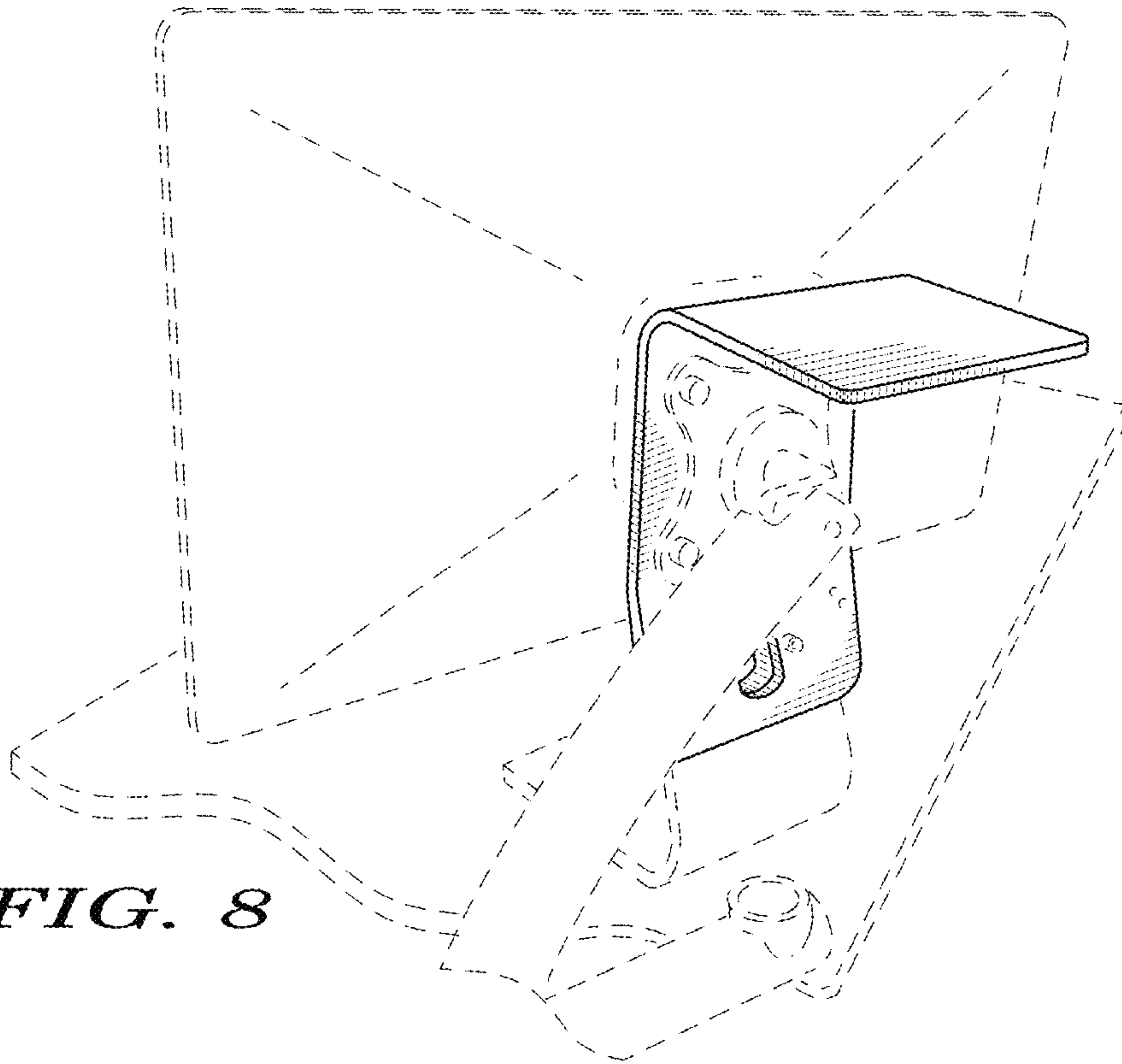


FIG. 8

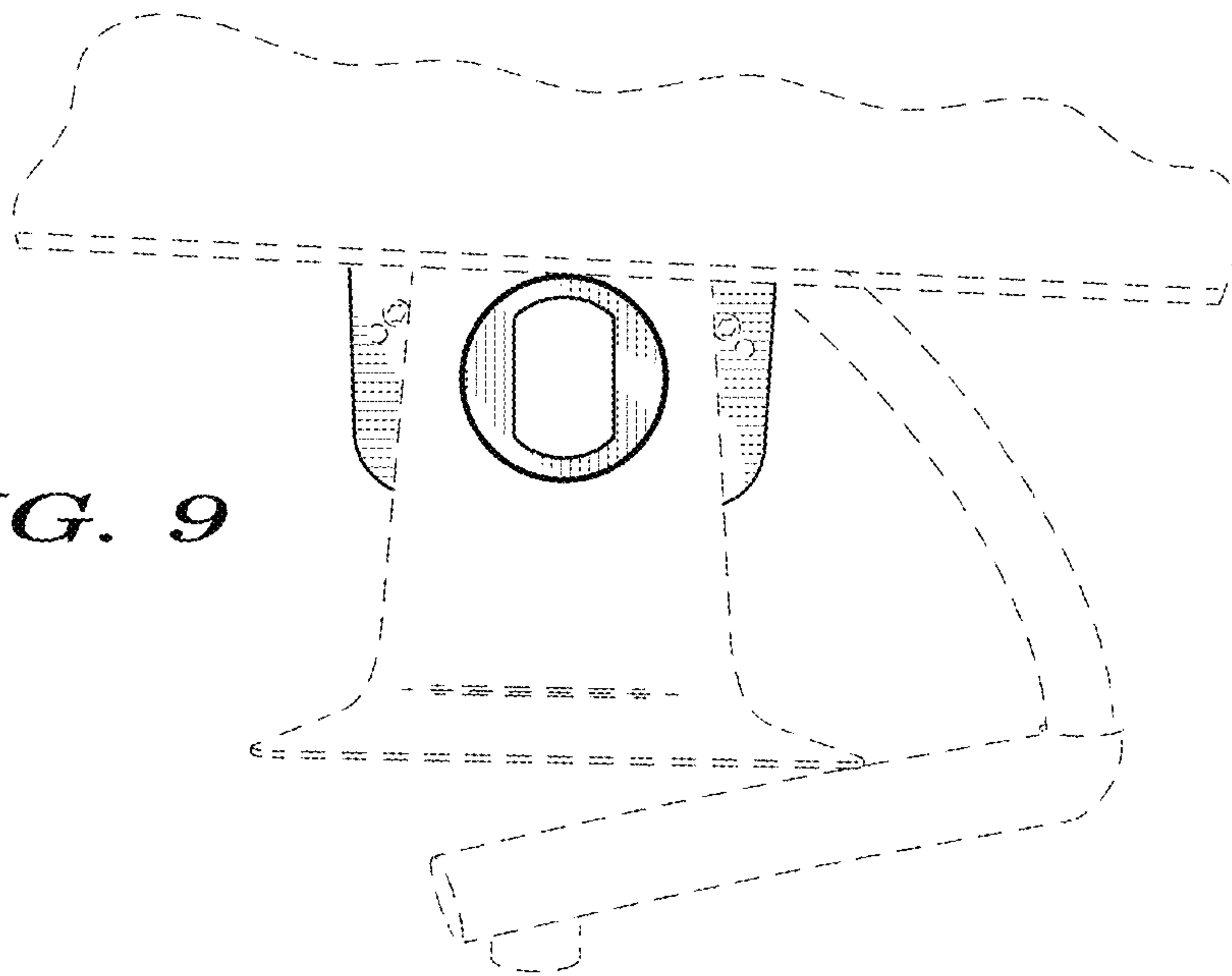


FIG. 9