



US00D790330S

(12) **United States Design Patent**  
**Heindl**

(10) **Patent No.:** **US D790,330 S**

(45) **Date of Patent:** **\*\* Jun. 27, 2017**

(54) **CONNECTING ELEMENT FOR SHEET PILES**

(71) Applicant: **Richard Heindl**, Graefelfing (DE)

(72) Inventor: **Richard Heindl**, Graefelfing (DE)

(\*\*) Term: **15 Years**

(21) Appl. No.: **29/550,099**

(22) Filed: **Dec. 30, 2015**

(30) **Foreign Application Priority Data**

Jul. 3, 2015 (EM) ..... 002730838

(51) **LOC (10) Cl.** ..... **08-08**

(52) **U.S. Cl.**  
USPC ..... **D8/382**

(58) **Field of Classification Search**  
USPC ..... D8/382, 394, 395; D25/119  
CPC .... E02D 5/02; E02D 5/04; E02D 5/06; E02D  
5/08; E02D 5/12; Y10T 403/73  
See application file for complete search history.

(56) **References Cited**

**U.S. PATENT DOCUMENTS**

D242,138 S \* 11/1976 Drawsky ..... D25/119  
D526,888 S \* 8/2006 Heindl ..... D8/382  
D530,190 S \* 10/2006 Wall ..... D8/382  
D542,633 S \* 5/2007 Heindl ..... D8/382  
D621,248 S \* 8/2010 Heindl ..... D8/382  
D681,429 S \* 5/2013 Heindl ..... D8/382

D681,432 S \* 5/2013 Heindl ..... D8/382  
D681,433 S \* 5/2013 Heindl ..... D8/382  
2007/0003379 A1\* 1/2007 Wall ..... E02D 5/08  
405/279  
2008/0310924 A1\* 12/2008 Heindl ..... E02D 5/08  
405/279  
2012/0269583 A1\* 10/2012 Heindl ..... E02D 5/08  
405/251

**OTHER PUBLICATIONS**

PilePro—The world leader in sheet pile connectors, image post date unknown, site visited on Jan. 15, 2016 (online), 4 Pages <[http://assets.pilepro.com/uploads/catalog/file/31/PPUSA\\_Catalog.pdf](http://assets.pilepro.com/uploads/catalog/file/31/PPUSA_Catalog.pdf)>.\*

\* cited by examiner

*Primary Examiner* — Sandra Snapp  
*Assistant Examiner* — Ieisha Price

(74) *Attorney, Agent, or Firm* — Shuttleworth & Ingersoll, PLC; Timothy J. Klima

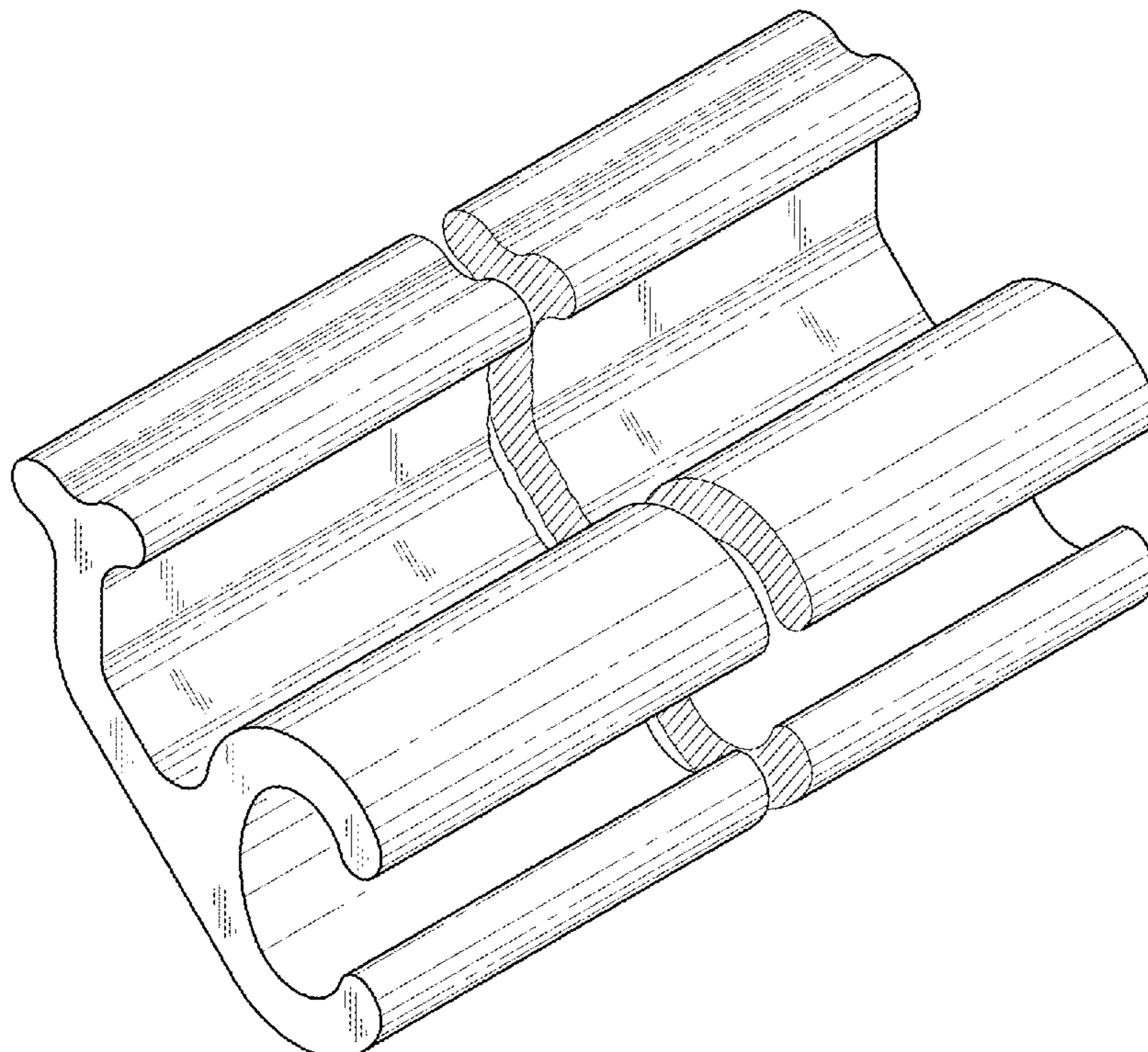
(57) **CLAIM**

The ornamental design for a connecting element for sheet piles, as shown and described.

**DESCRIPTION**

FIG. 1 is a perspective view of a connecting element for sheet piles; and,  
FIG. 2 is a side view thereof.  
All portions of the connecting element for sheet piles located between the break lines form no part of the claimed design.

**1 Claim, 2 Drawing Sheets**



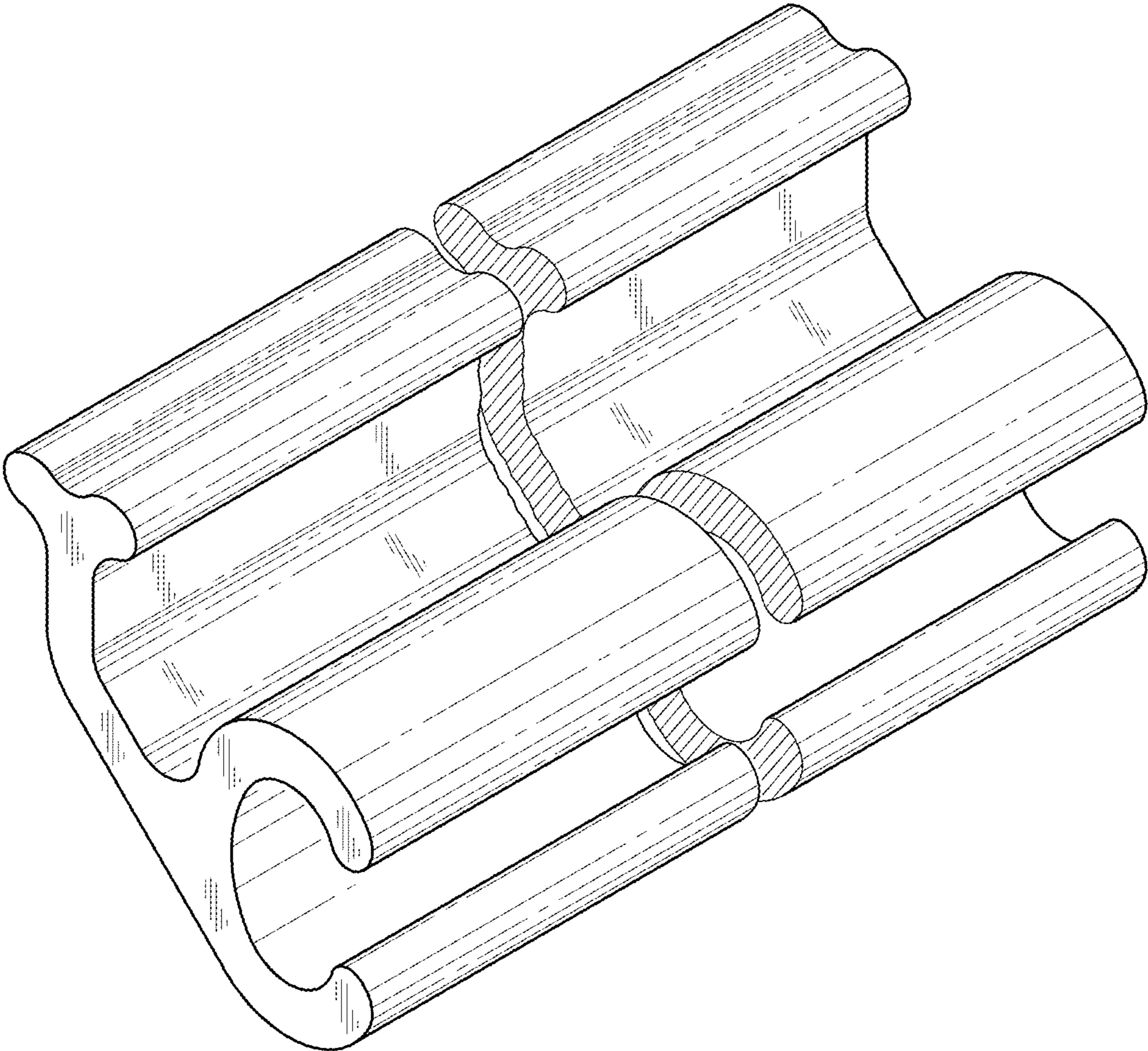


FIG. 1

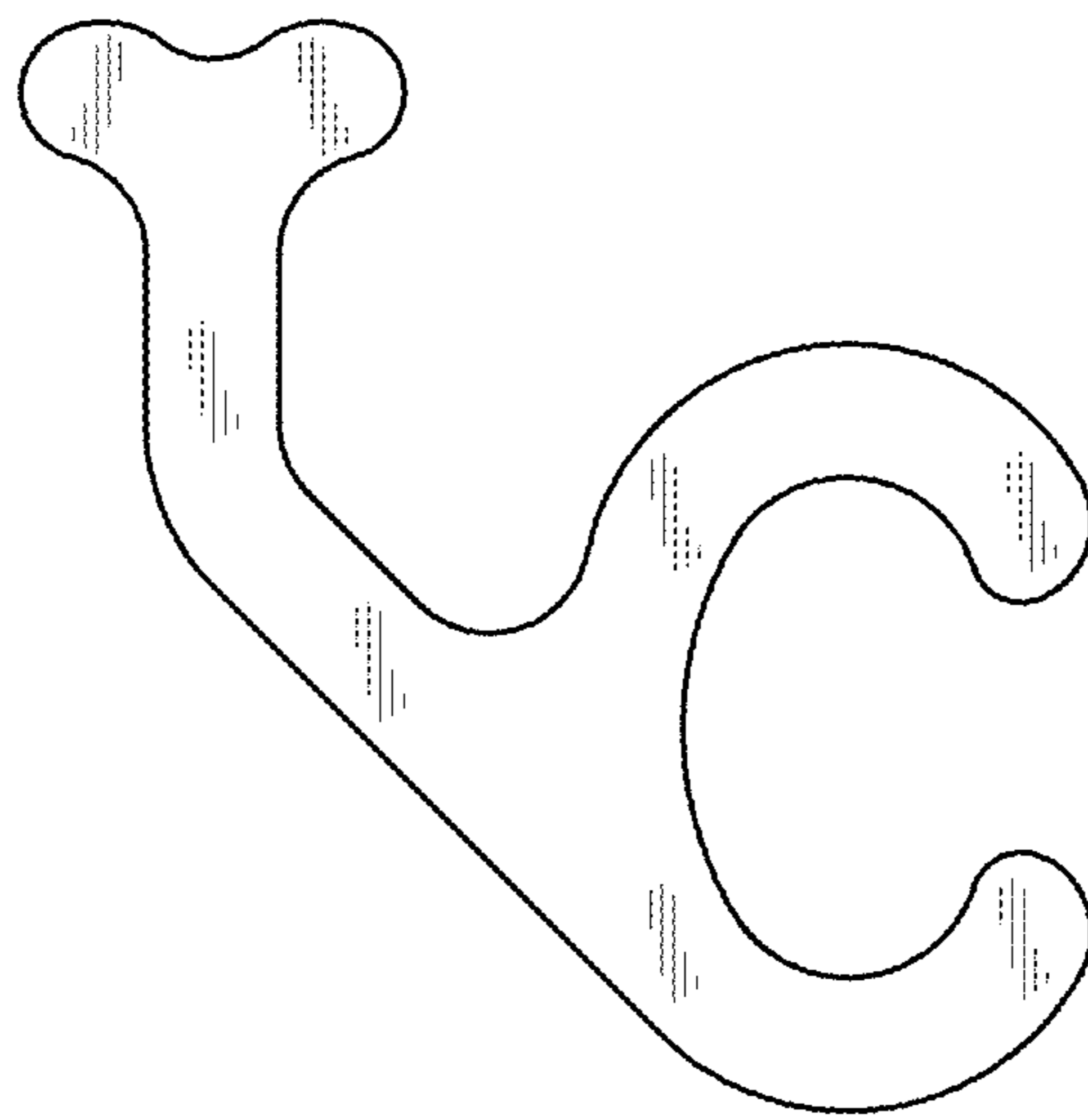


FIG. 2