



US00D790329S

(12) **United States Design Patent** (10) **Patent No.:** **US D790,329 S**  
**Pool** (45) **Date of Patent:** **\*\* Jun. 27, 2017**

(54) **FASTENER**  
(71) Applicant: **Jordan M. Pool**, Ukiah, CA (US)  
(72) Inventor: **Jordan M. Pool**, Ukiah, CA (US)  
(\*\*) Term: **14 Years**  
(21) Appl. No.: **29/520,036**  
(22) Filed: **Mar. 10, 2015**  
(51) **LOC (10) Cl.** ..... **08-08**  
(52) **U.S. Cl.**  
USPC ..... **D8/382**  
(58) **Field of Classification Search**  
USPC ..... D8/71, 349, 354, 367, 373, 380, 382,  
D8/384, 387, 388, 499; D6/323, 328,  
D6/556  
CPC . A47G 7/00; A47G 7/02; A47G 7/044; A47G  
7/045; A47G 7/047; A47G 25/0607;  
F16M 13/02; F16M 13/027; F16B 45/00  
See application file for complete search history.

(56) **References Cited**

U.S. PATENT DOCUMENTS

102,945 A \* 5/1870 Judd ..... A47G 25/0607  
248/547  
353,013 A \* 11/1886 Braddock ..... A47G 25/0607  
248/217.4  
D24,189 S \* 4/1895 Beardsley ..... D8/364  
D25,548 S \* 5/1896 Hayden ..... D12/20  
D59,977 S \* 12/1921 Parker ..... D8/349  
D119,843 S \* 4/1940 Anstice ..... D7/412  
D121,897 S \* 8/1940 Hager ..... D8/349  
D384,574 S \* 10/1997 Cox ..... D8/349  
D540,156 S \* 4/2007 Bryant ..... D8/367

D564,243 S \* 3/2008 Zhang ..... D6/323  
2011/0186702 A1\* 8/2011 Broadley ..... F16B 45/00  
248/220.21  
2016/0169267 A1\* 6/2016 Pool ..... F16B 45/00  
248/547

\* cited by examiner

*Primary Examiner* — Sandra Snapp  
*Assistant Examiner* — Ieisha Price  
(74) *Attorney, Agent, or Firm* — Edward S. Sherman

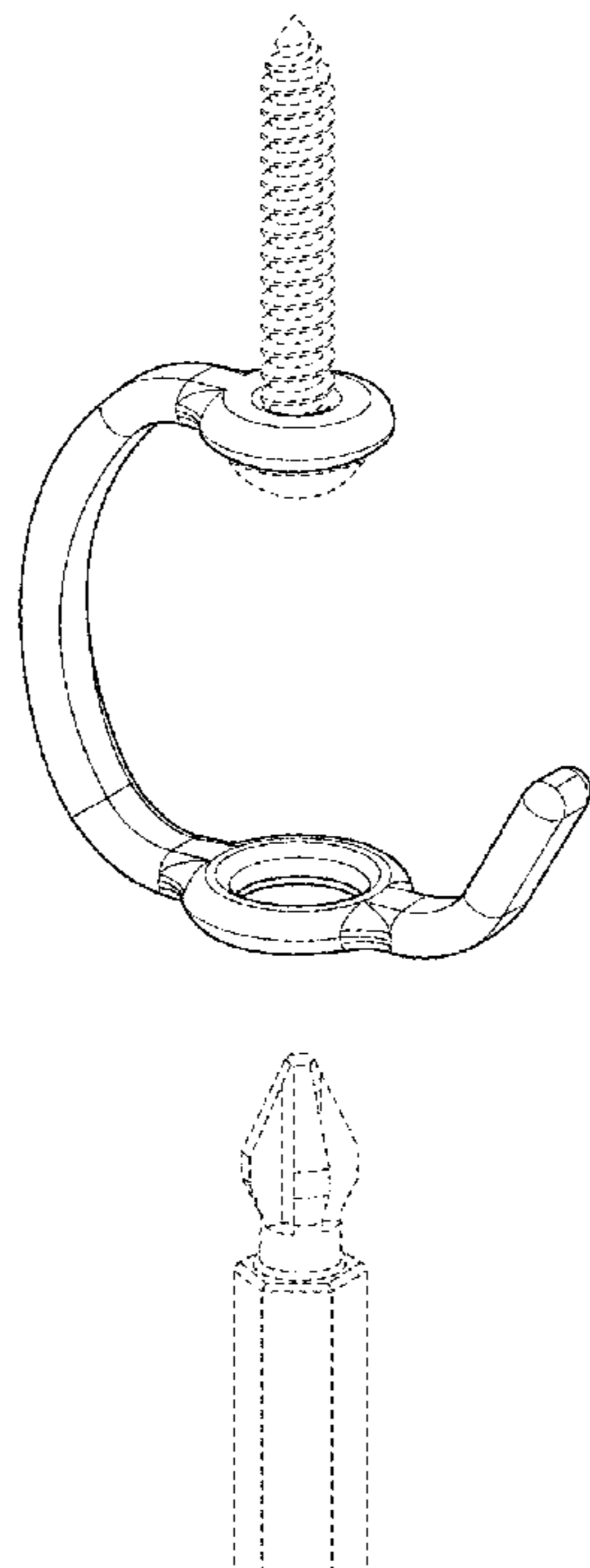
(57) **CLAIM**

The ornamental design for a “fastener,” as shown and described.

**DESCRIPTION**

FIG. 1 is a first perspective view of the “fastener”;  
FIG. 2 is a second perspective view thereof;  
FIG. 3 is a right side elevation view thereof;  
FIG. 4 is a left side elevation view thereof;  
FIG. 5 is a front elevation view thereof;  
FIG. 6 is a back elevation view thereof;  
FIG. 7 is top plan view thereof;  
FIG. 8 is a bottom plan view thereof;  
FIG. 9 is a back view thereof, showing the placement of section lines **10-10** and **11-11**;  
FIG. **10** is a cross-sectional view taken along line **10-10** in FIG. **9**; and,  
FIG. **11** is a cross-sectional view taken along line **11-11** in FIG. **9**.  
The broken line showing of the screw and screwdriver head represents the environment of the claimed design and forms no part thereof.

**1 Claim, 5 Drawing Sheets**



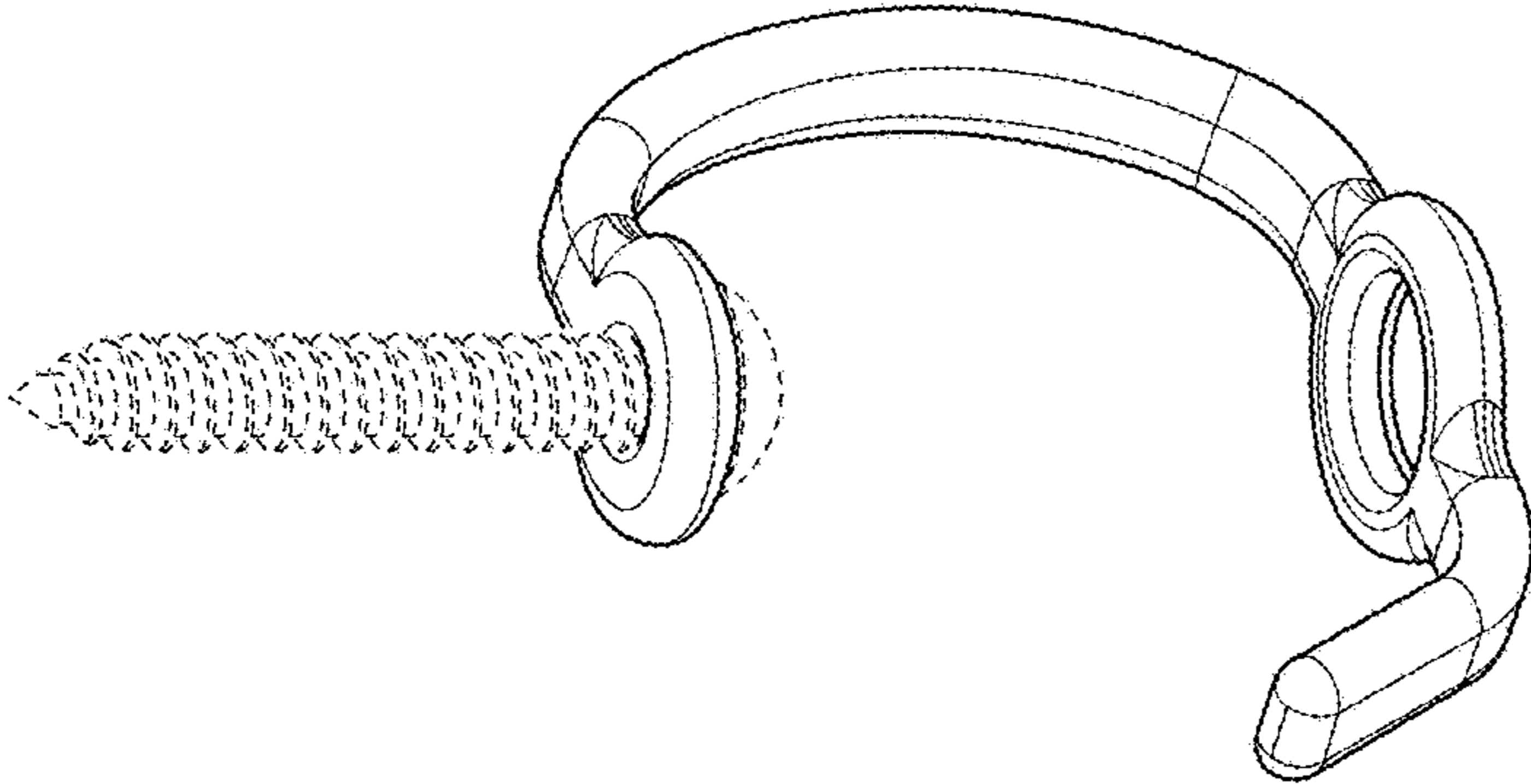


FIG. 1

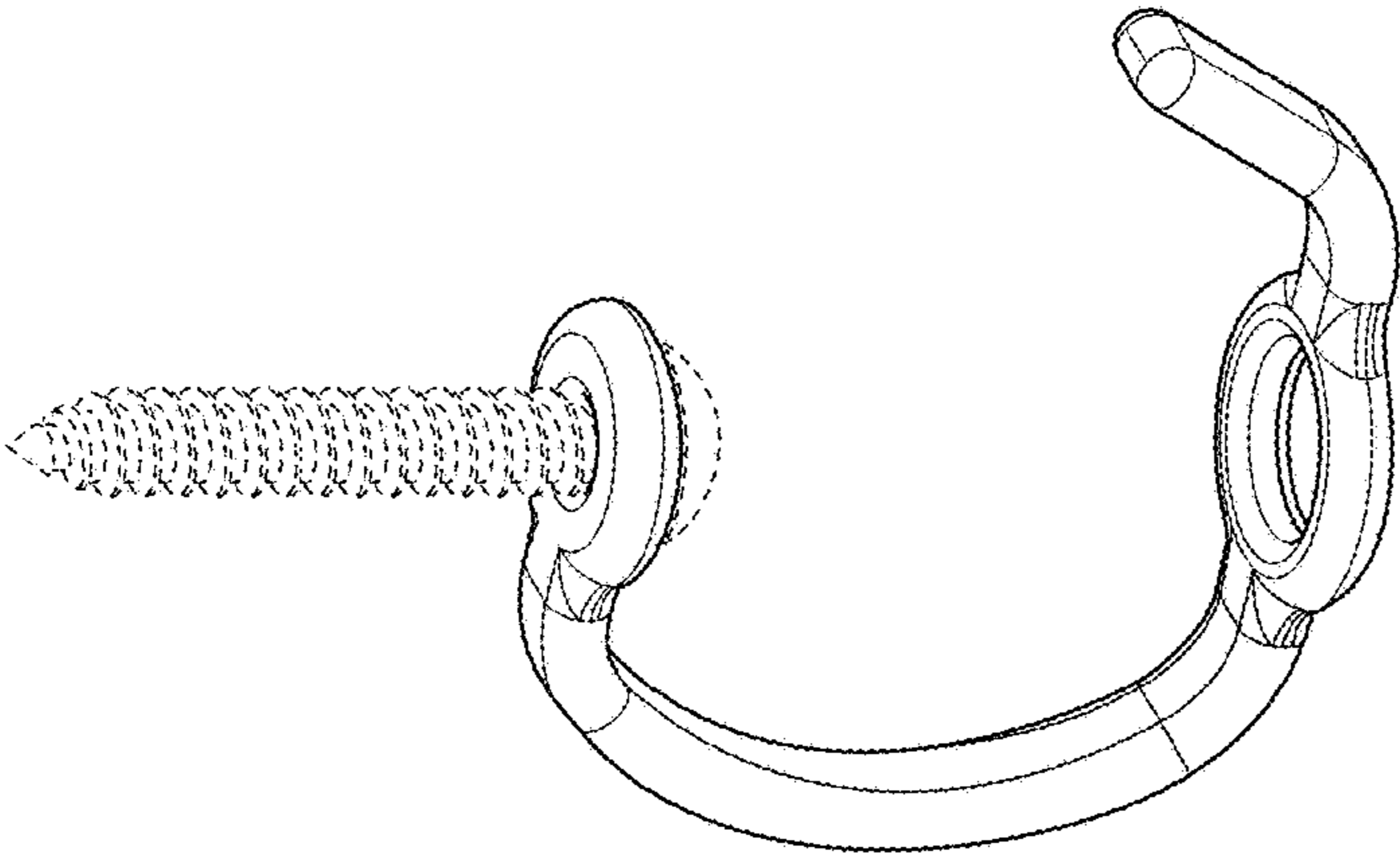
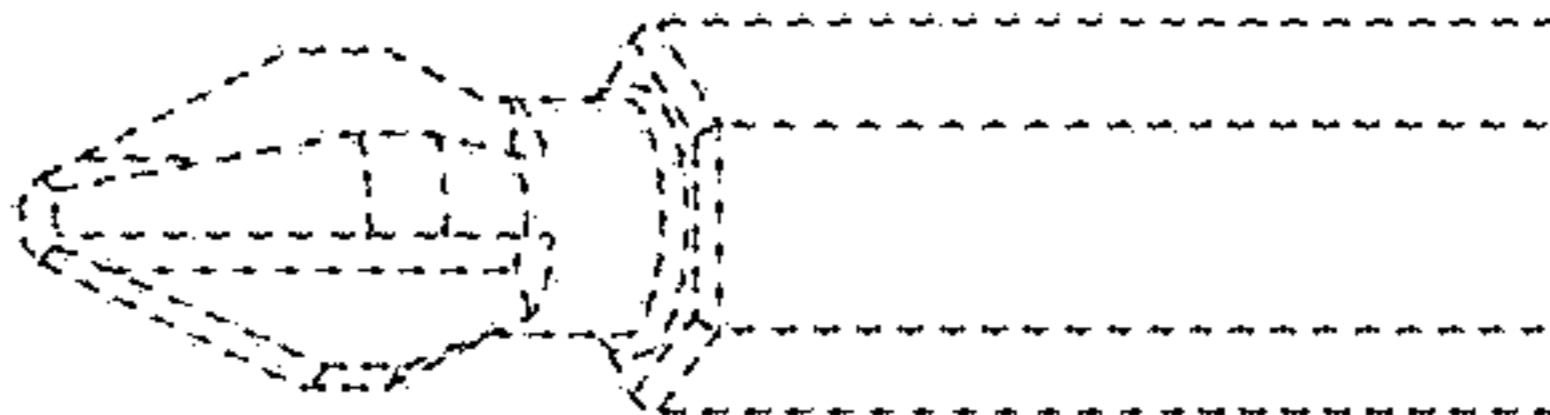


FIG. 2



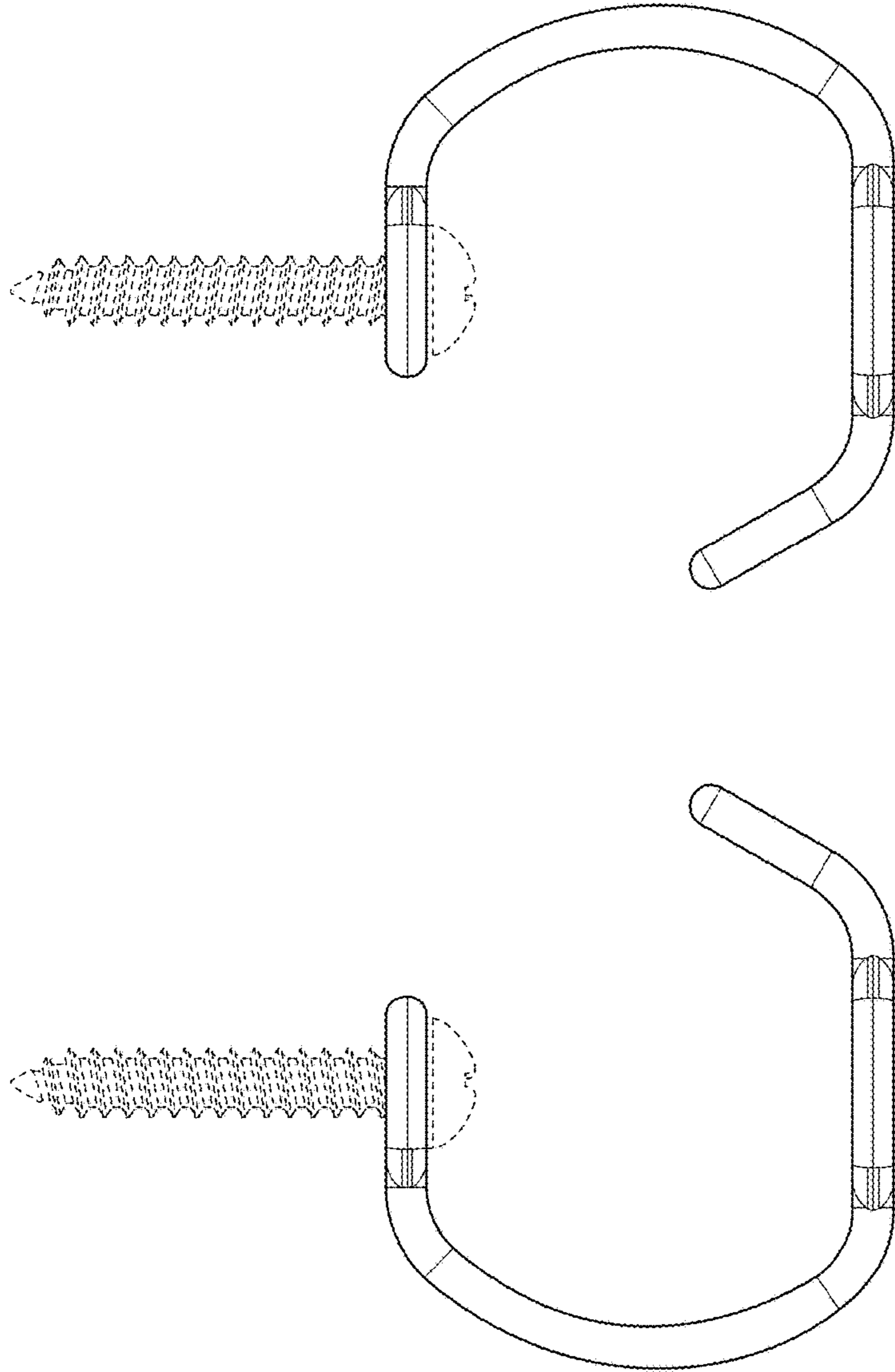


FIG. 3



FIG. 4

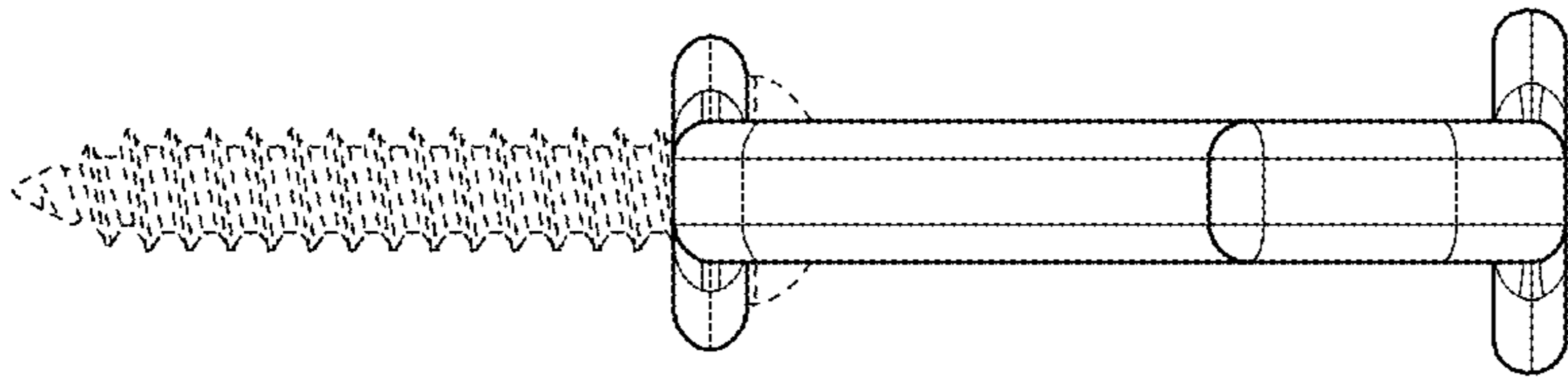


FIG. 5

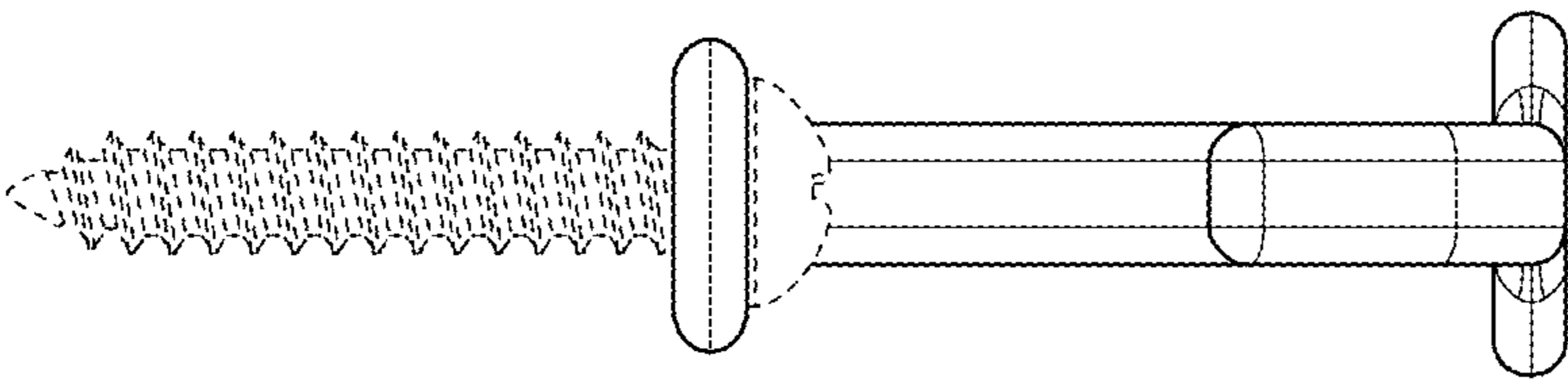
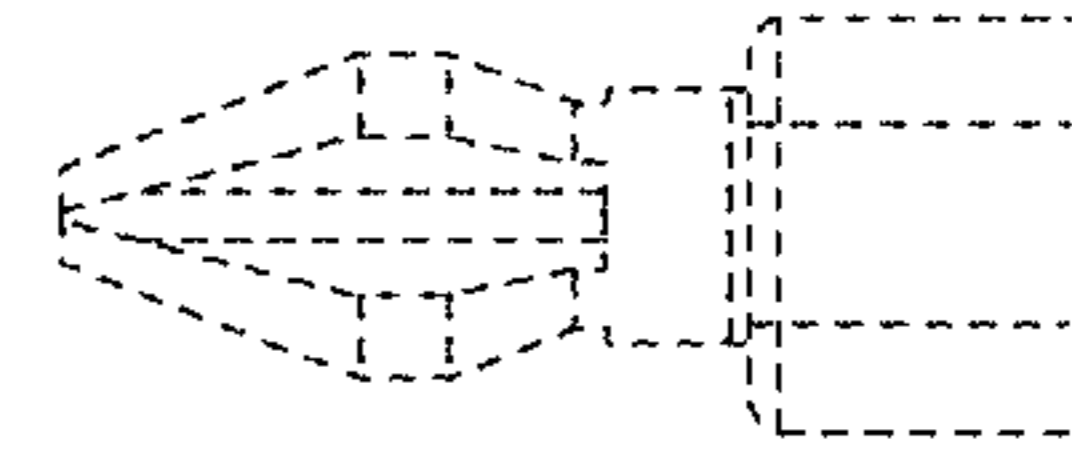
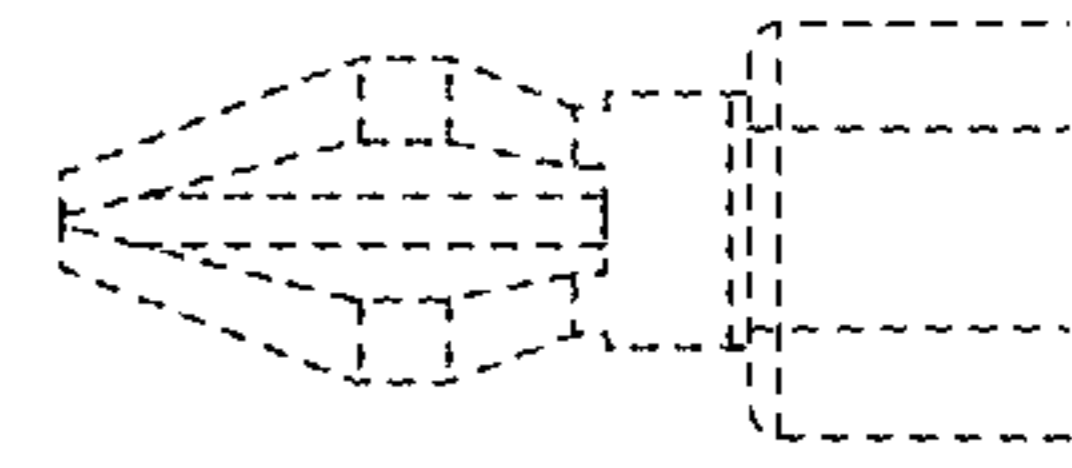


FIG. 6



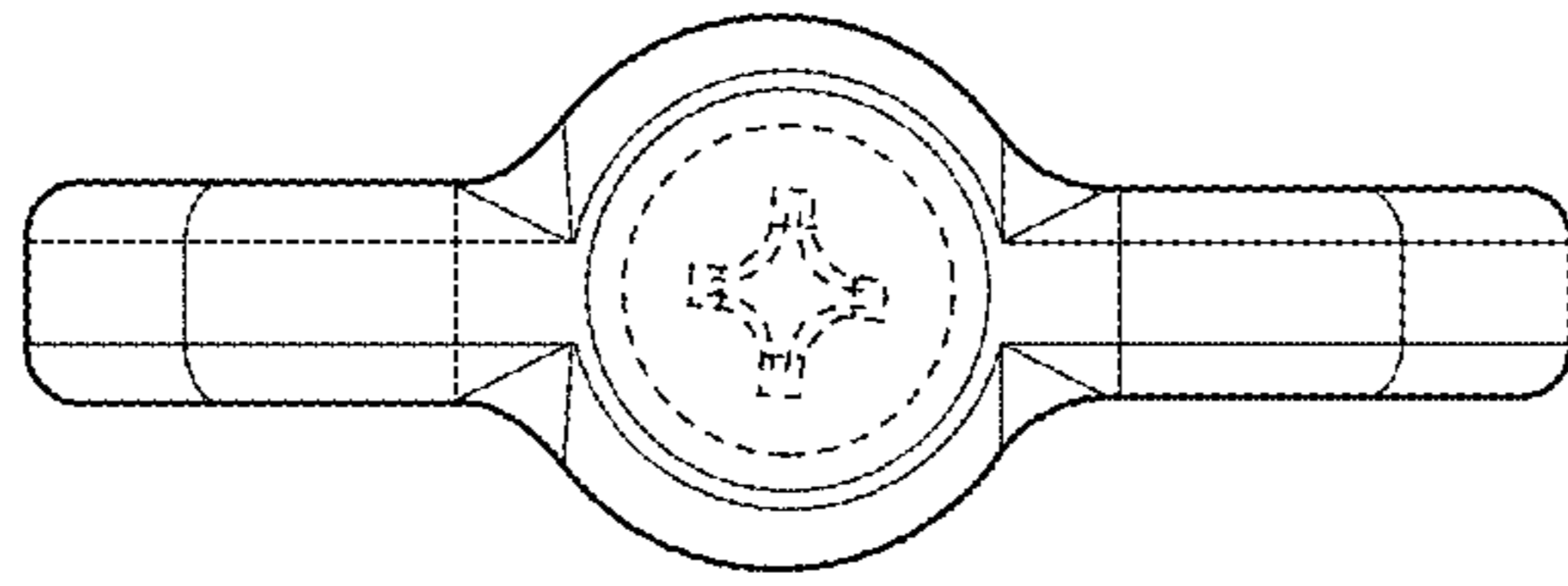


FIG. 8

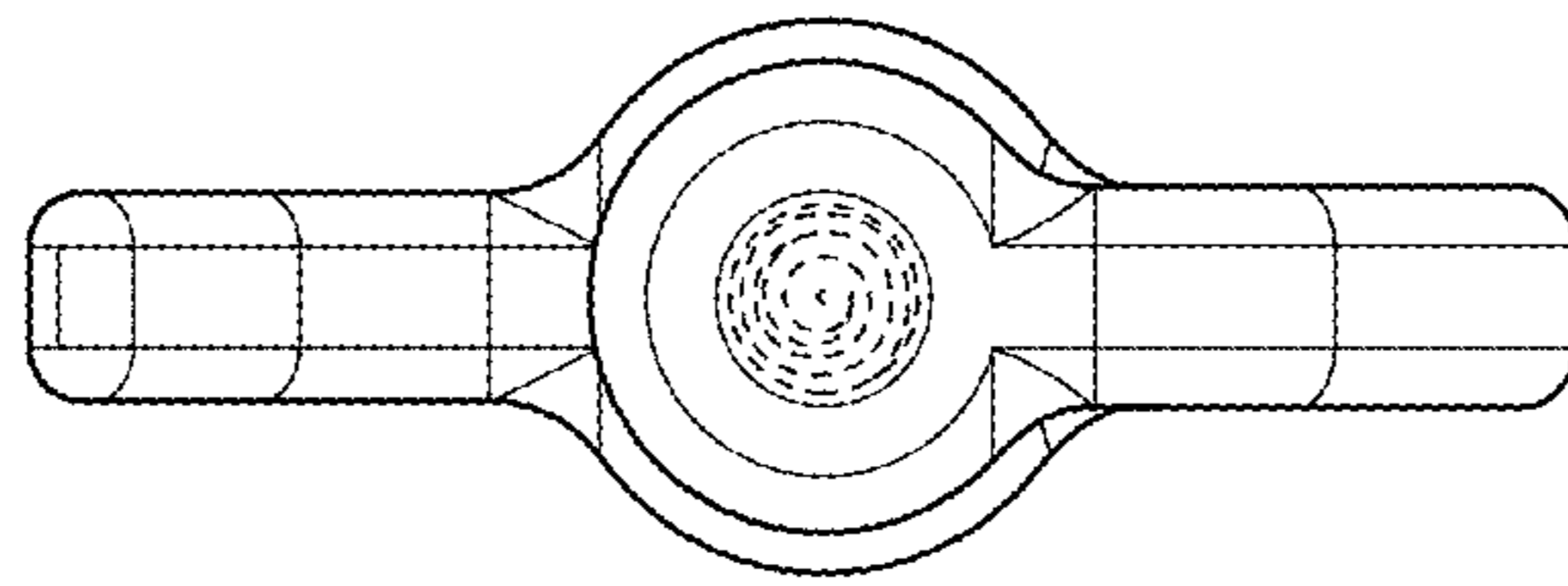


FIG. 7

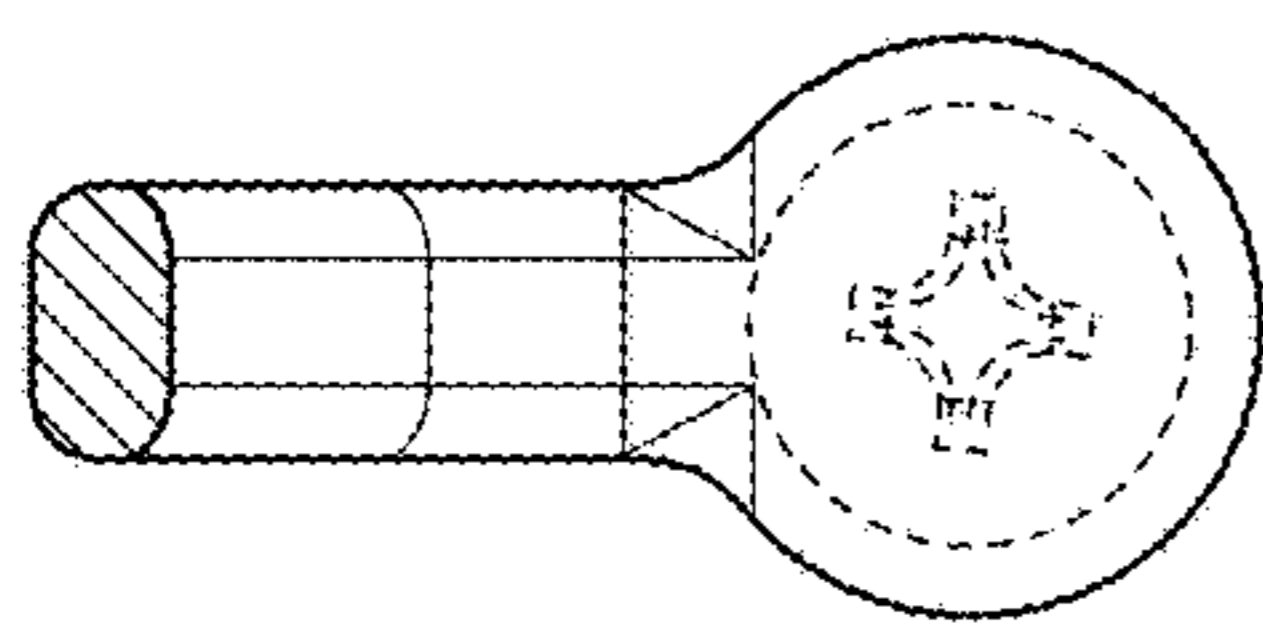


FIG. 10

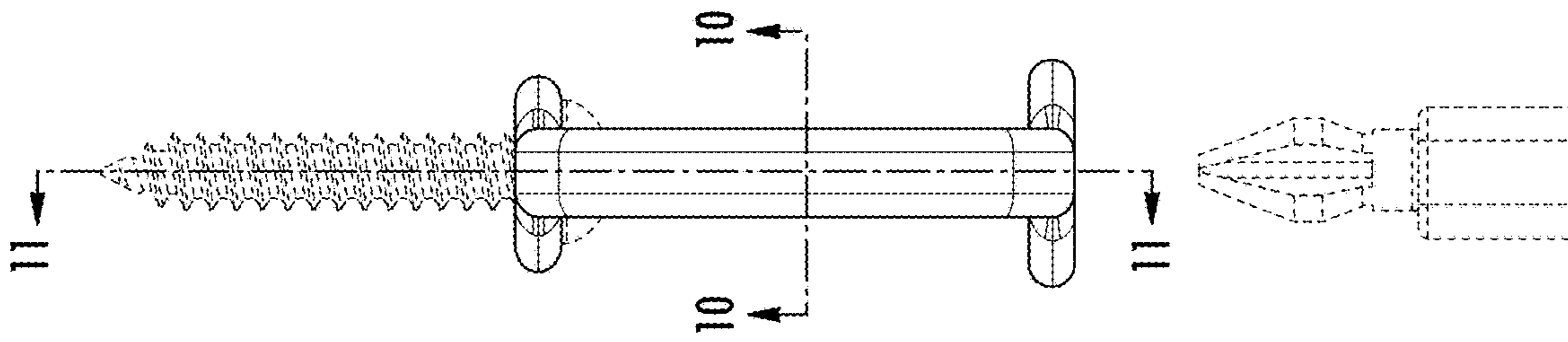


FIG. 9

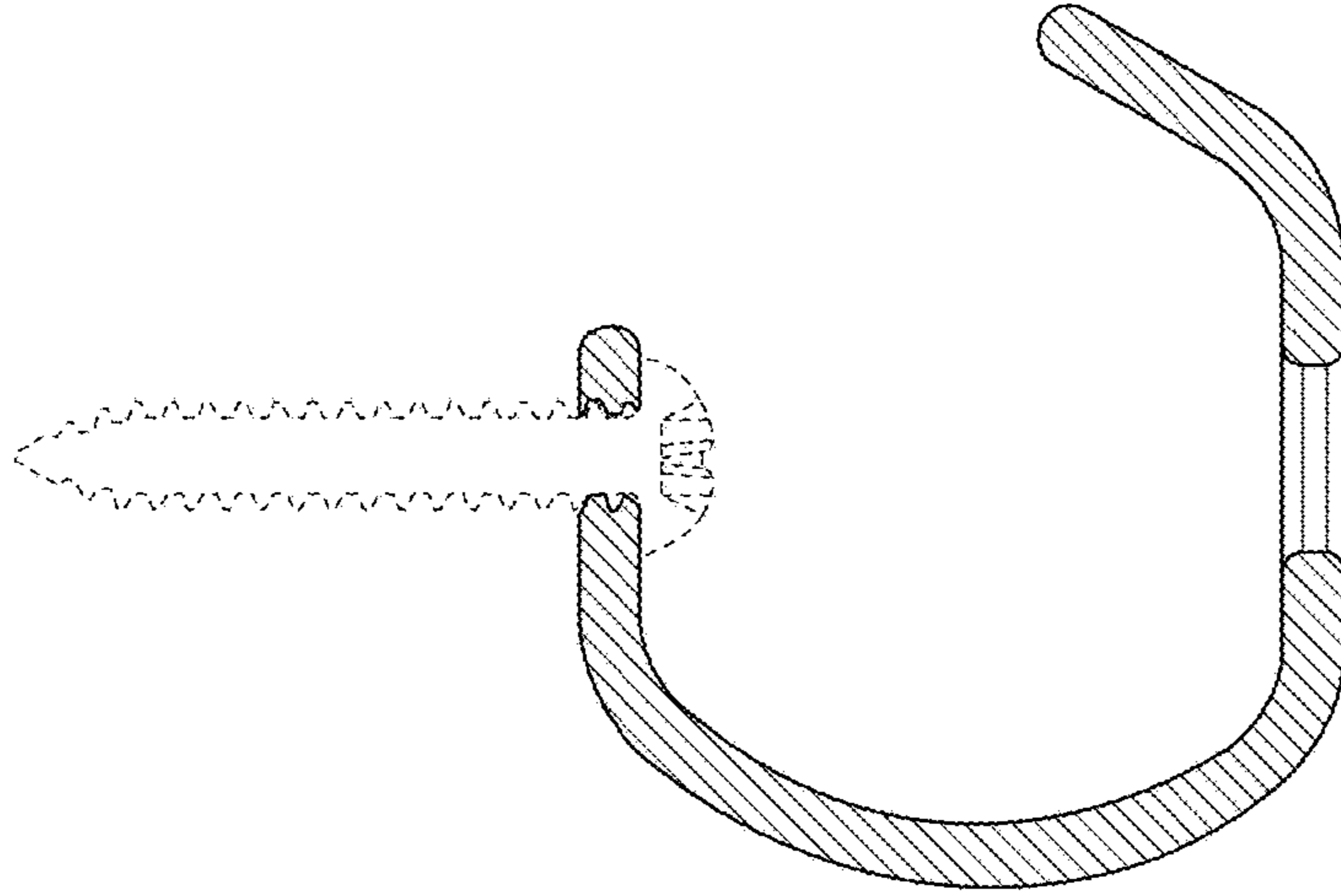


FIG. 11