



US00D790328S

(12) **United States Design Patent**
Hall

(10) **Patent No.:** **US D790,328 S**

(45) **Date of Patent:** **** Jun. 27, 2017**

(54) **COAT TOWEL HOLDER**

(71) Applicant: **Julian Hall**, Indianapolis, IN (US)

(72) Inventor: **Julian Hall**, Indianapolis, IN (US)

(**) Term: **15 Years**

(21) Appl. No.: **29/542,842**

(22) Filed: **Oct. 19, 2015**

(51) **LOC (10) Cl.** **08-05**

(52) **U.S. Cl.**

USPC **D8/367**; D6/323

(58) **Field of Classification Search**

USPC D6/315–328, 681.3; 223/85–98; 211/1,
211/13.1, 32, 85.3, 113; D8/367, 370,
D8/371, 372, 373, 380; 248/211, 215,
248/227.1, 227.2, 251, 253, 255, 256,
248/257, 258, 259, 301, 304, 323, 324,
248/339, 690

CPC A47G 25/32; A47G 25/28; A47G 25/743;
A47G 25/746; A47G 29/083; A47G
25/06; A47G 25/0607; A47G 25/10;
A47G 25/38; A47G 29/08; A47G 1/17;
A47G 7/044; A47G 29/00

See application file for complete search history.

(56) **References Cited**

U.S. PATENT DOCUMENTS

2,679,998 A * 6/1954 Keller F16B 47/003
248/205.3

D330,289 S * 10/1992 Sharpe D6/323

D397,256 S * 8/1998 Moore D6/323
D453,271 S * 2/2002 Gilbert D6/323
D458,535 S * 6/2002 Henderson 211/106.01
D548,983 S * 8/2007 Krumpe D6/323
D555,365 S * 11/2007 Berberet D6/323
D567,517 S * 4/2008 Massaud D6/323
D680,852 S * 4/2013 Gilboe D8/367
D697,387 S * 1/2014 Starck D8/367
D700,827 S * 3/2014 Starck D8/367

* cited by examiner

Primary Examiner — Ian Simmons

Assistant Examiner — Lauren Calve

(74) *Attorney, Agent, or Firm* — Gary E. Lambert; David
J. Connaughton, Jr.; Lambert & Associates

(57) **CLAIM**

The ornamental design for a coat towel holder, as shown and described.

DESCRIPTION

FIG. 1 is a top isometric view of a coat towel holder embodying my design;

FIG. 2 is a side view of the coat towel holder;

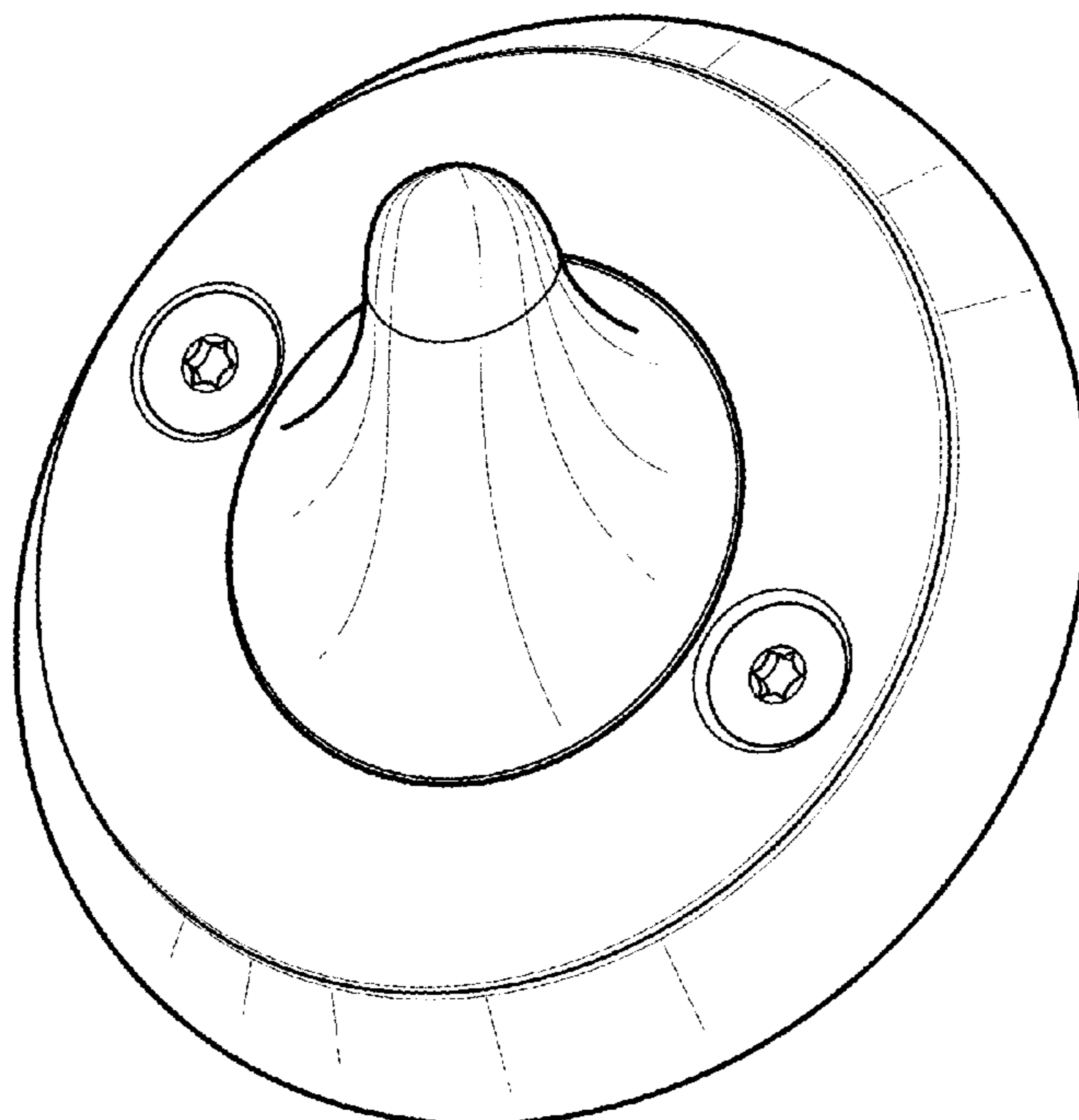
FIG. 3 is a left side view of the coat towel holder;

FIG. 4 is a top plan view of the coat towel holder; and,

FIG. 5 is a bottom plan view of the coat towel holder.

The broken lines shown represent unclaimed subject matter and form no part of the claimed design.

1 Claim, 3 Drawing Sheets



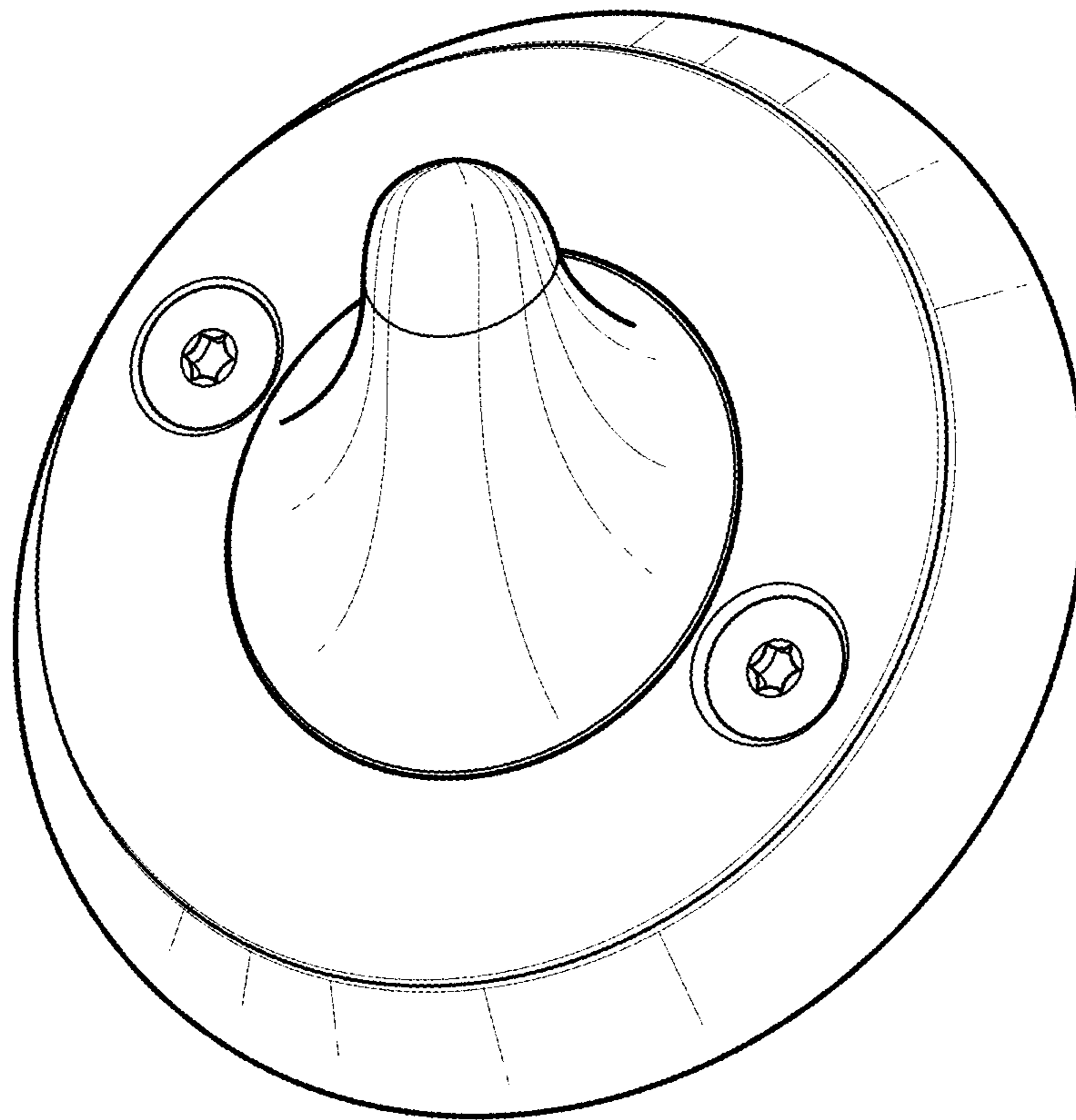


FIG. 1

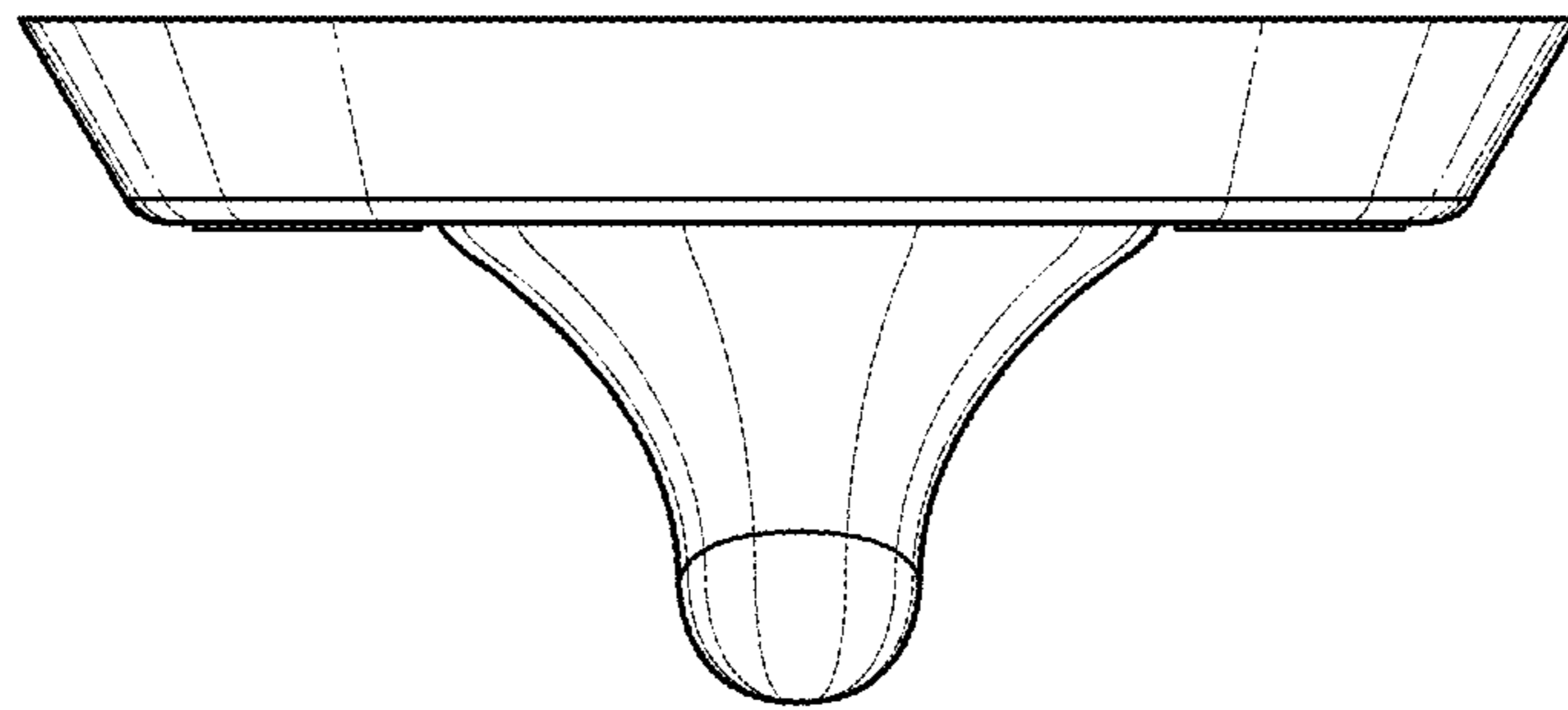


FIG. 2

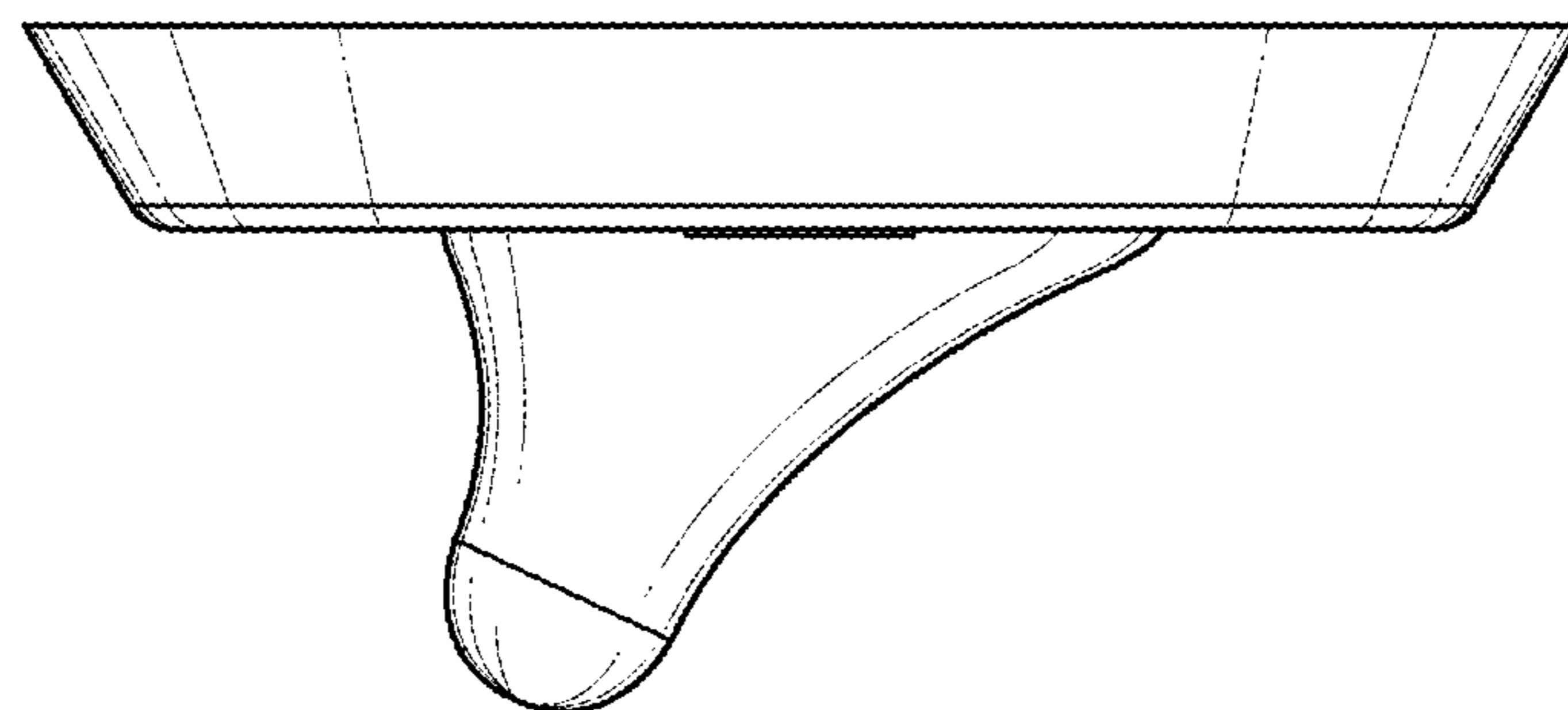


FIG. 3

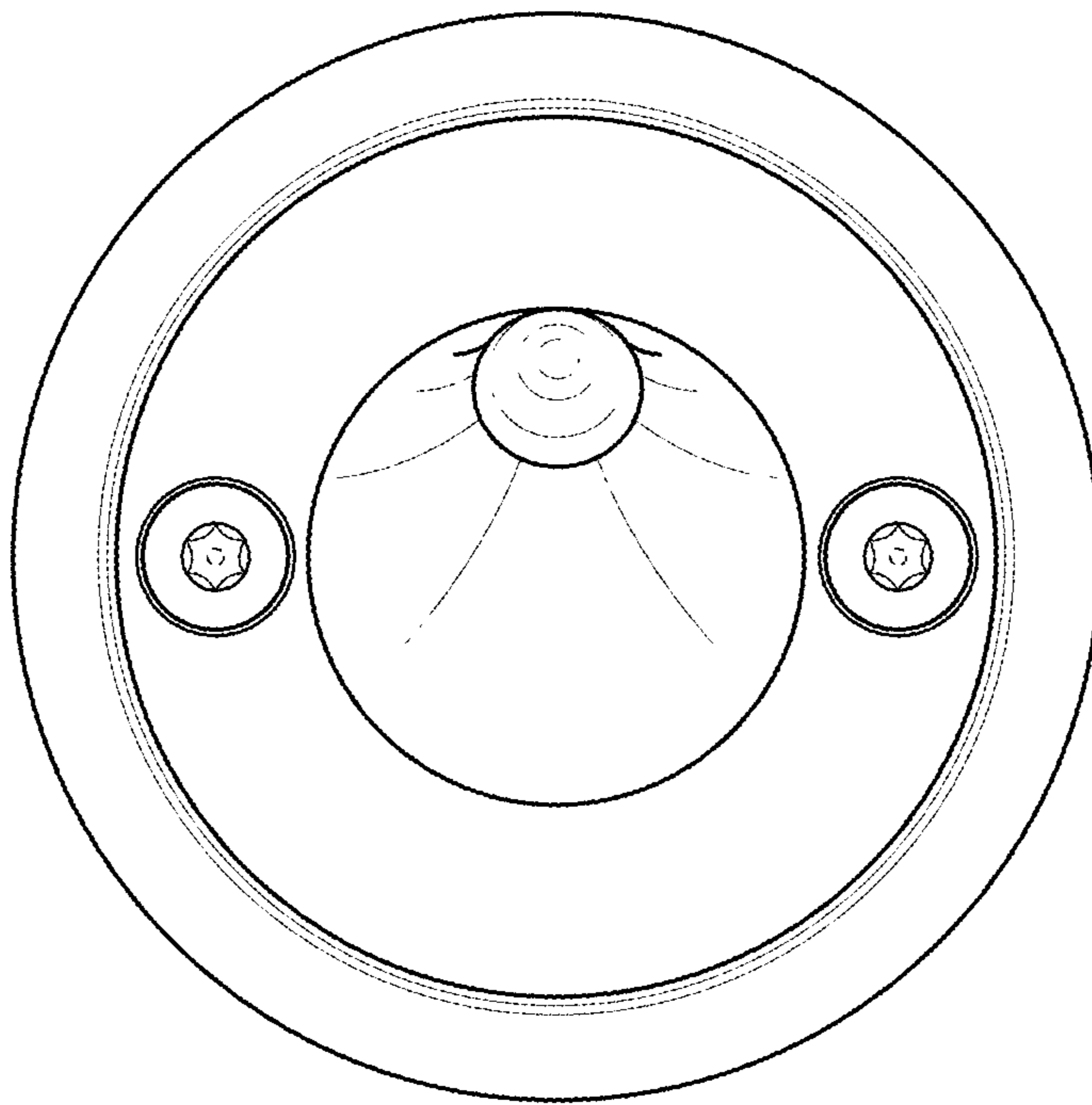


FIG. 4

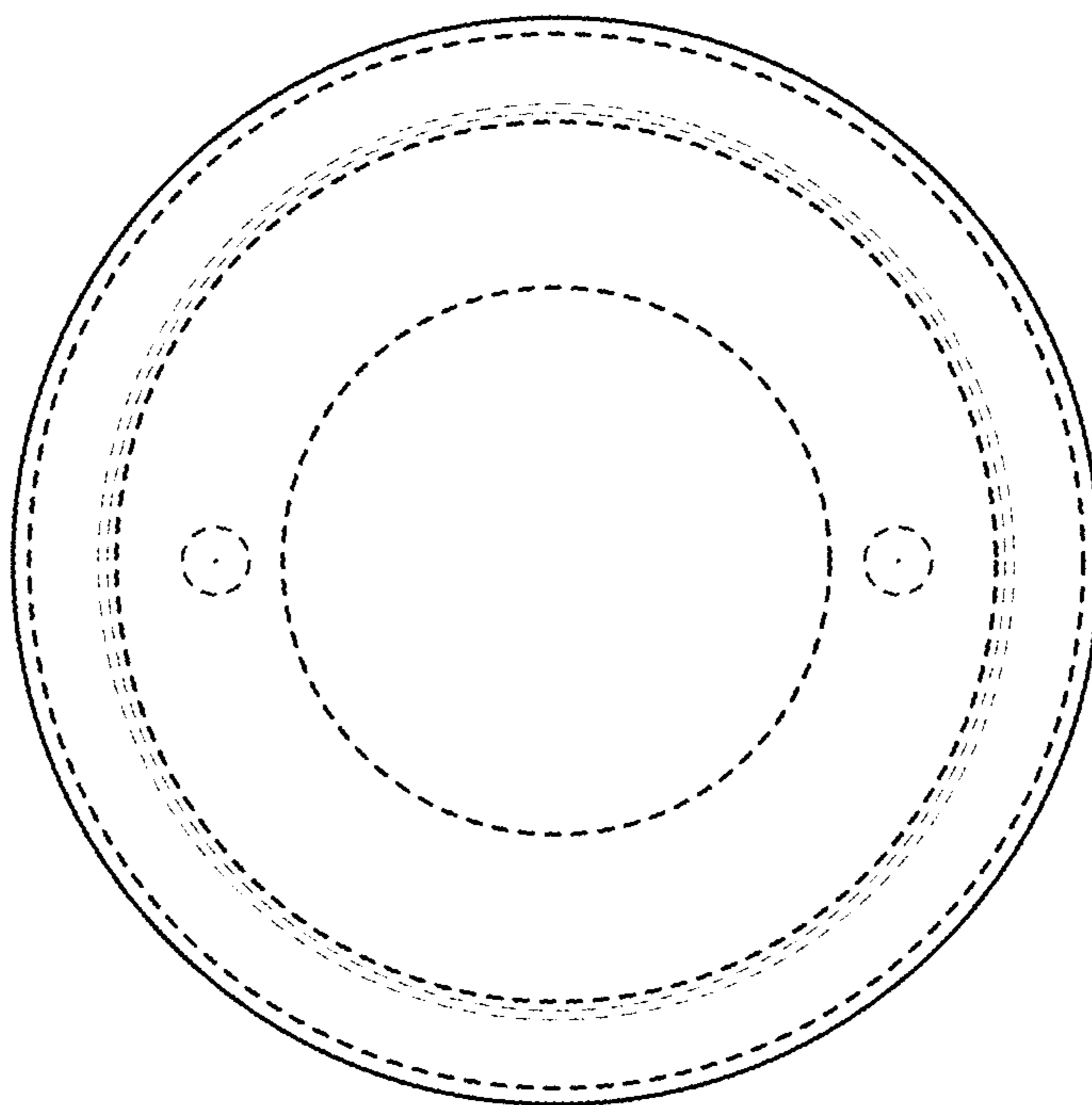


FIG. 5