



US00D790326S

(12) **United States Design Patent** (10) **Patent No.:** **US D790,326 S**
Loxton et al. (45) **Date of Patent:** **** Jun. 27, 2017**

(54) **PROTECTIVE BUFFER STRAP**

(71) Applicant: **Earle John Loxton**, Somerset West (ZA)

(72) Inventors: **Earle John Loxton**, Somerset West (ZA); **Johan Bredenkamp**, Kenridge (ZA)

(73) Assignee: **Earle John Loxton**, Somerset West (ZA)

(**) Term: **15 Years**

(21) Appl. No.: **29/556,678**

(22) Filed: **Mar. 2, 2016**

(30) **Foreign Application Priority Data**

Sep. 8, 2015 (ZA) A2015/01367

(51) **LOC (10) Cl.** **08-05**

(52) **U.S. Cl.**
USPC **D8/355**

(58) **Field of Classification Search**
USPC D8/354-355

(Continued)

(56) **References Cited**

U.S. PATENT DOCUMENTS

190,535 A * 5/1877 Armstrong A41F 9/002
2/321
3,930,287 A * 1/1976 Grise A44C 5/0053
24/16 PB

(Continued)

OTHER PUBLICATIONS

Roofrack.com, "Rhino RWP01 roof rack foam canoe pad", <http://roofrack.com.au/products/water-sports-carriers/canoe-kayak-carriers/rhino-canoe-rwp01-foam-pads.htm>, last accessed May 21, 2015.

(Continued)

Primary Examiner — Caron D Veynar

Assistant Examiner — Maria Edwards

(74) *Attorney, Agent, or Firm* — Haugen Law Firm PLLP

(57) **CLAIM**

The ornamental design for a protective buffer strap, as shown and described.

DESCRIPTION

FIG. 1 is a front top perspective view of the protective buffer strap in an unwound condition;

FIG. 2 is a rear top perspective view of the protective buffer strap in an unwound condition;

FIG. 3 is a front bottom perspective view of the protective buffer strap in an unwound condition;

FIG. 4 is a rear bottom perspective view of the protective buffer strap in an unwound condition;

FIG. 5 is a front top perspective view of the protective buffer strap in a wound condition;

FIG. 6 is a rear top perspective view of the protective buffer strap in a wound condition;

FIG. 7 is a front bottom perspective view of the protective buffer strap in a wound condition;

FIG. 8 is a rear bottom perspective view of the protective buffer strap in a wound condition;

FIG. 9 is a front elevational view of the protective buffer strap in an unwound condition;

FIG. 10 is a rear elevational view of the of the protective buffer strap in an unwound condition;

FIG. 11 is a left side elevational view of the of the protective buffer strap in an unwound condition;

FIG. 12 is a right side elevational view of the protective buffer strap in an unwound condition;

FIG. 13 is a top plan view of the protective buffer strap in an unwound condition;

FIG. 14 is a bottom plan view of the protective buffer strap in an unwound condition;

FIG. 15 is a front elevational view of the protective buffer strap in a wound condition;

FIG. 16 is a rear elevational view of the of the protective buffer strap in a wound condition;

FIG. 17 is a left side elevational view of the of the protective buffer strap in a wound condition;

(Continued)

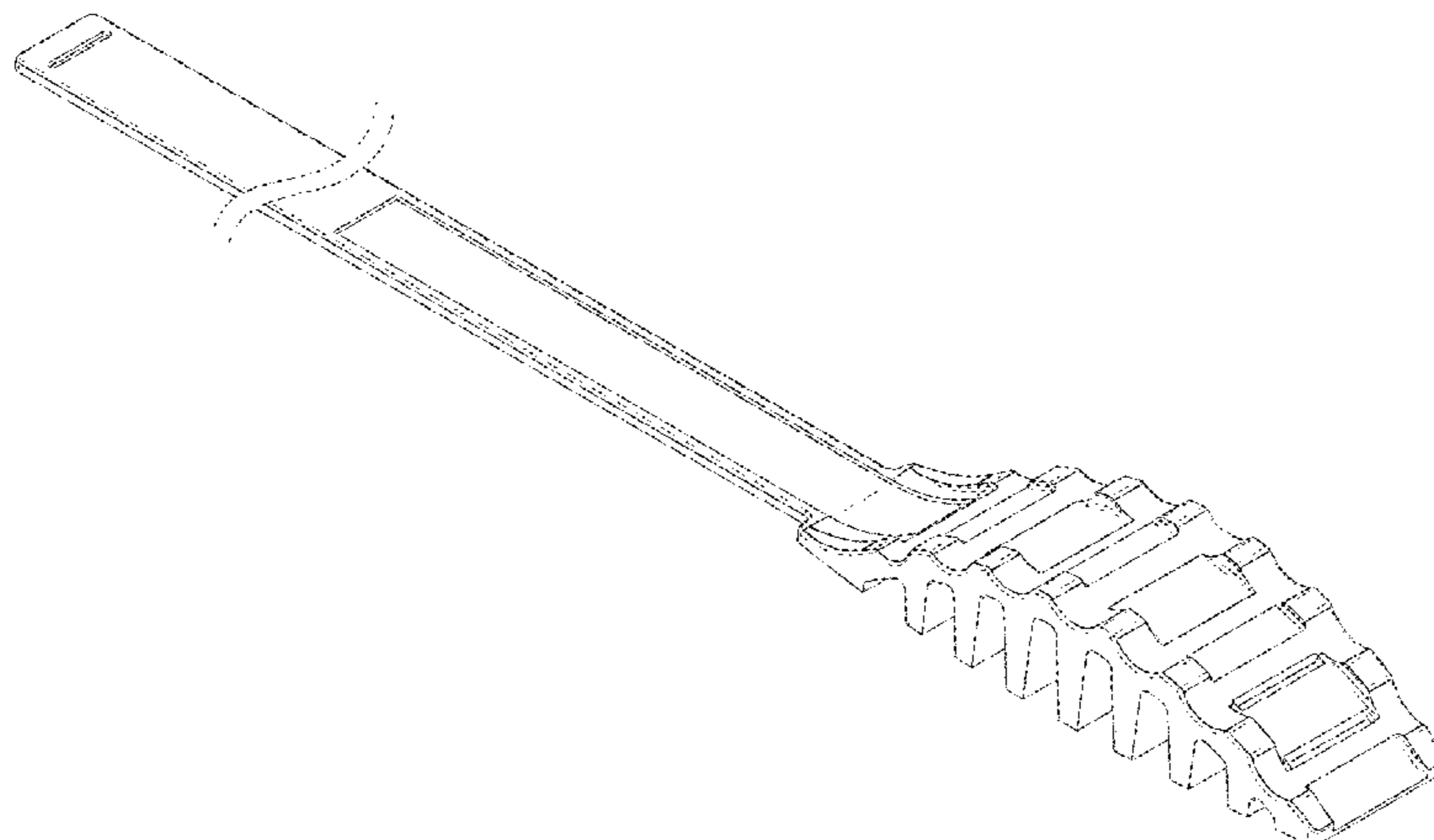


FIG. 18 is a right side elevational view of the protective buffer strap in a wound condition;
 FIG. 19 is a top plan view of the protective buffer strap in a wound condition; and,
 FIG. 20 is a bottom plan view of the protective buffer strap in a wound condition.
 The protective buffer strap is shown with heavy solid lines depicting edges of the article, and light lines which do not intersect the heavy solid lines, and which depict surface contour of the article.

1 Claim, 12 Drawing Sheets

(58) **Field of Classification Search**

CPC B05B 13/02; B60Q 9/00; B60R 9/04
 See application file for complete search history.

(56) **References Cited**

U.S. PATENT DOCUMENTS

3,964,653	A	6/1976	Strutz	
4,235,404	A *	11/1980	Kraus F16G 11/00 24/16 PB
4,393,548	A *	7/1983	Herb B65D 63/1063 24/16 PB
4,631,782	A *	12/1986	Gecs F16B 2/08 24/16 PB
4,878,606	A	11/1989	Miller	
4,879,768	A	11/1989	McClees	
5,161,824	A	11/1992	Li	
5,250,345	A *	10/1993	Chu A45F 3/12 2/268
5,448,805	A	9/1995	Allen et al.	
5,590,826	A	1/1997	Endo	
5,628,440	A	5/1997	Gallazzini	
5,669,111	A *	9/1997	Rohaly B65D 63/1072 24/16 PB
5,720,714	A	2/1998	Penrose	
5,775,555	A	7/1998	Bloemer et al.	
5,787,554	A *	8/1998	Hashimoto A44C 5/185 24/265 WS

5,829,656	A	11/1998	Reitz et al.	
5,983,406	A *	11/1999	Meyerrose B63C 11/12 2/428
6,179,178	B1 *	1/2001	Stegmeyer A45C 13/30 224/257
6,318,609	B1	11/2001	Swierz	
6,863,855	B2 *	3/2005	Shilale B29C 45/14336 264/148
7,507,889	B2 *	3/2009	Montgomery G10G 5/005 224/264
7,805,816	B1	10/2010	Thorne, III	
8,162,865	B2 *	4/2012	Mazzarolo A41D 13/0512 2/468
8,348,113	B2	1/2013	Huang	
8,510,918	B2 *	8/2013	Shilale B65D 63/1072 24/16 PB
8,517,237	B1	8/2013	Barber	
D698,632	S *	2/2014	Wang D8/383
9,155,359	B1 *	10/2015	Bailey A44B 11/065
2004/0144816	A1	7/2004	Ku	
2004/0185247	A1 *	9/2004	Fenton A45F 3/12 428/327
2005/0279798	A1	12/2005	Nassanian	
2009/0193633	A1 *	8/2009	Shiue B63C 11/12 24/69 TS
2010/0061794	A1 *	3/2010	Sam B42F 13/10 402/8
2012/0217762	A1	8/2012	Bruce et al.	
2013/0047388	A1 *	2/2013	Kavarsky A43C 11/1413 24/68 SK
2013/0181022	A1	7/2013	Bogoslofski et al.	
2014/0069975	A1	3/2014	Flaherty	

OTHER PUBLICATIONS

Dicks Sporting Goods, "Yakima standard foam block canoe rack", <http://www.dickssportinggoods.com/productVindex.sp?productId=3997690>, last accessed May 21, 2015.
 Malone Auto Racks, "Foam block kayak carriers", <http://www.maloneautoracks.com/economic-foam-blocks-kayak-carrier0kits.php>, last accessed May 21, 2015.
 Pro Taper, "2.0 Square bar pads", <http://www.protaper.com/products/handlebar-pads/2-0-square-bar-pads>, last accessed May 21, 2015.

* cited by examiner

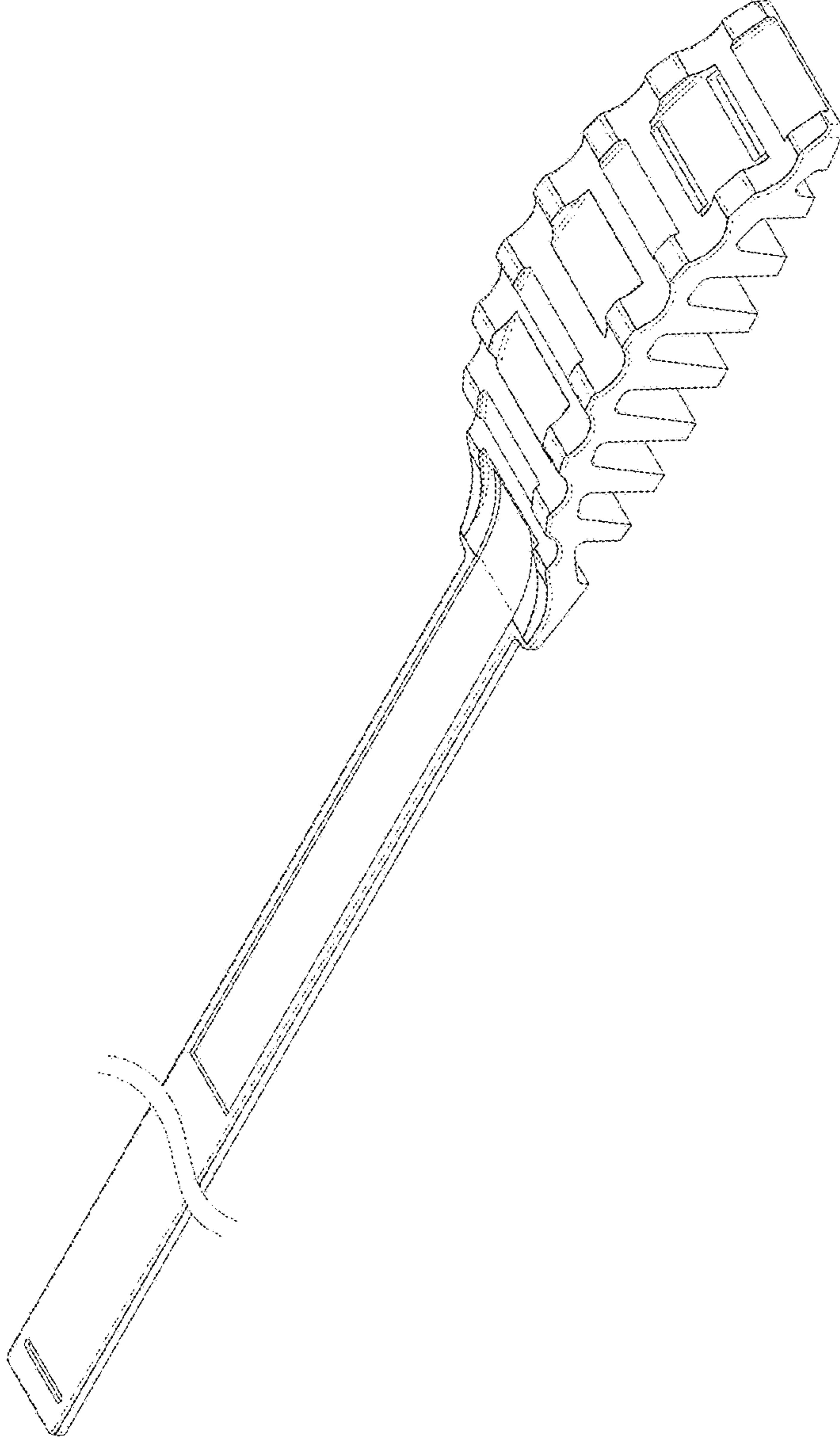


Fig. 1

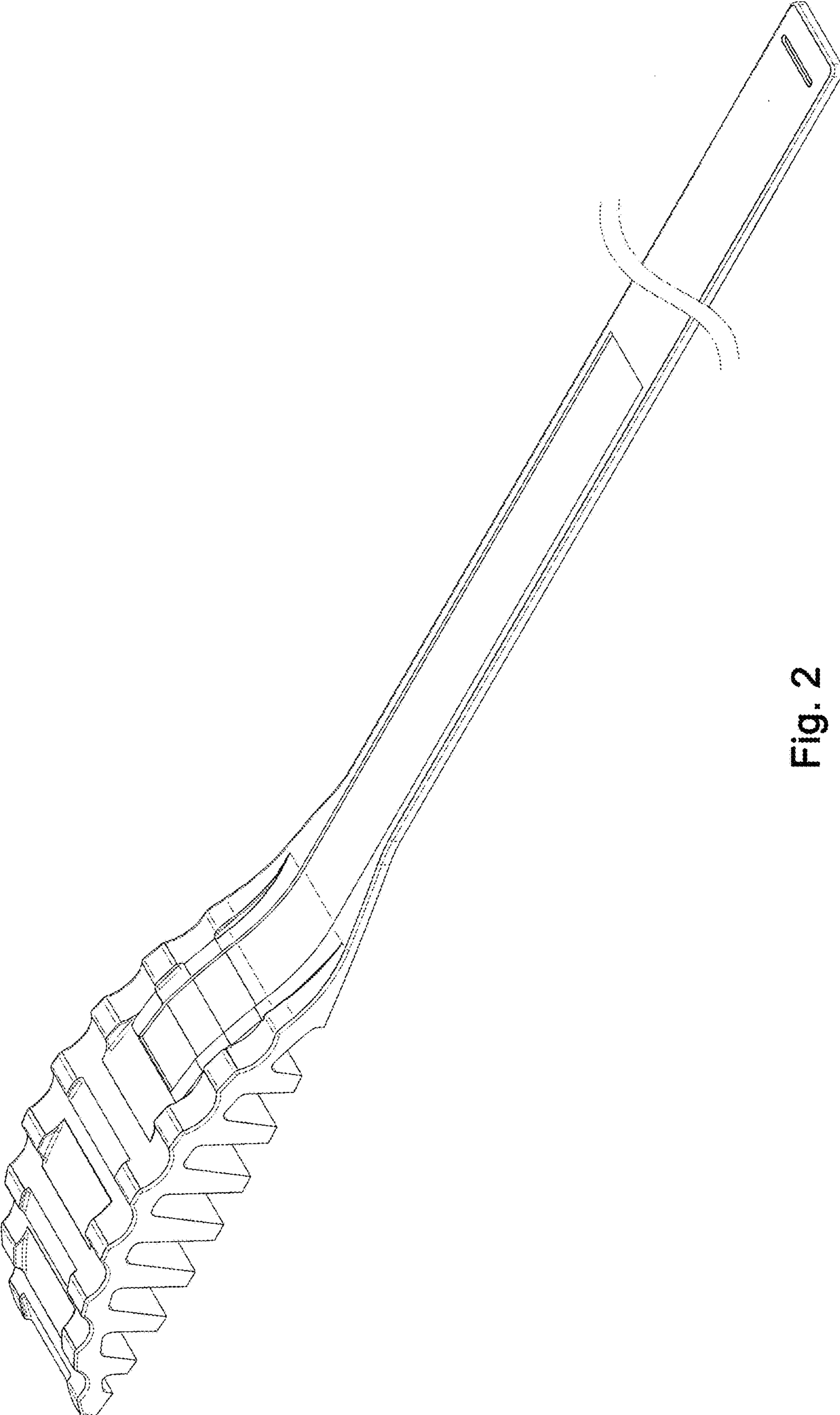


Fig. 2

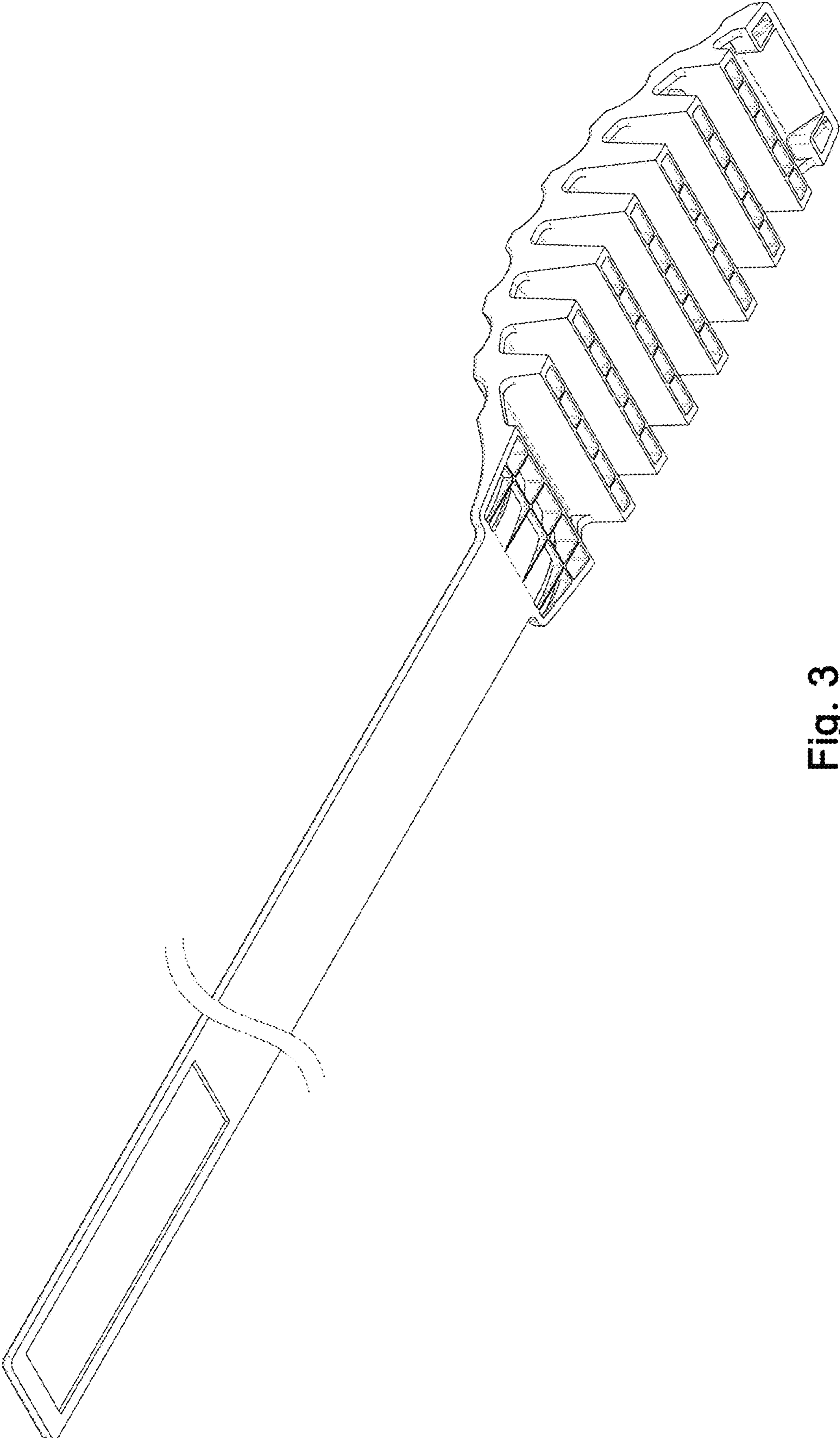


Fig. 3

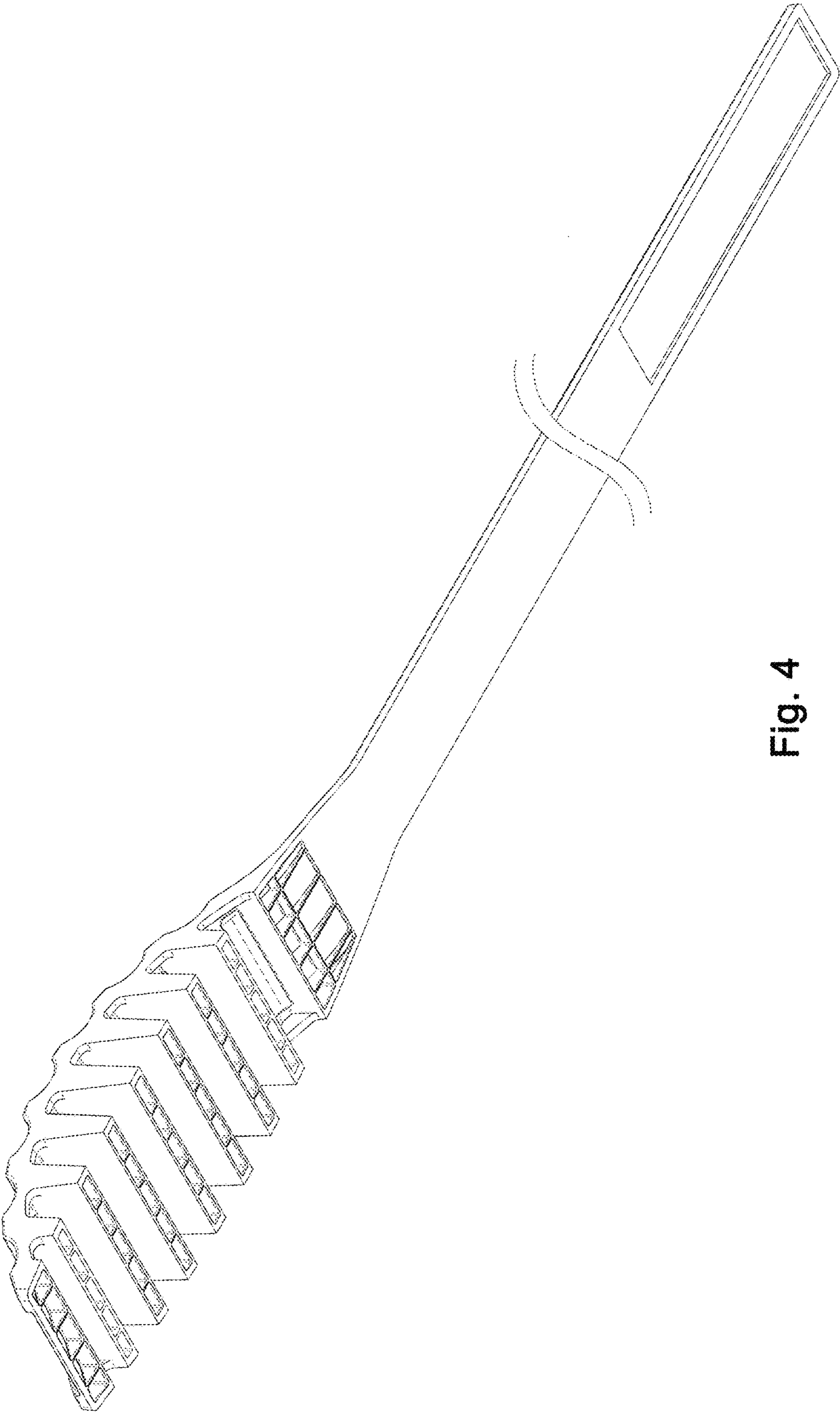


Fig. 4

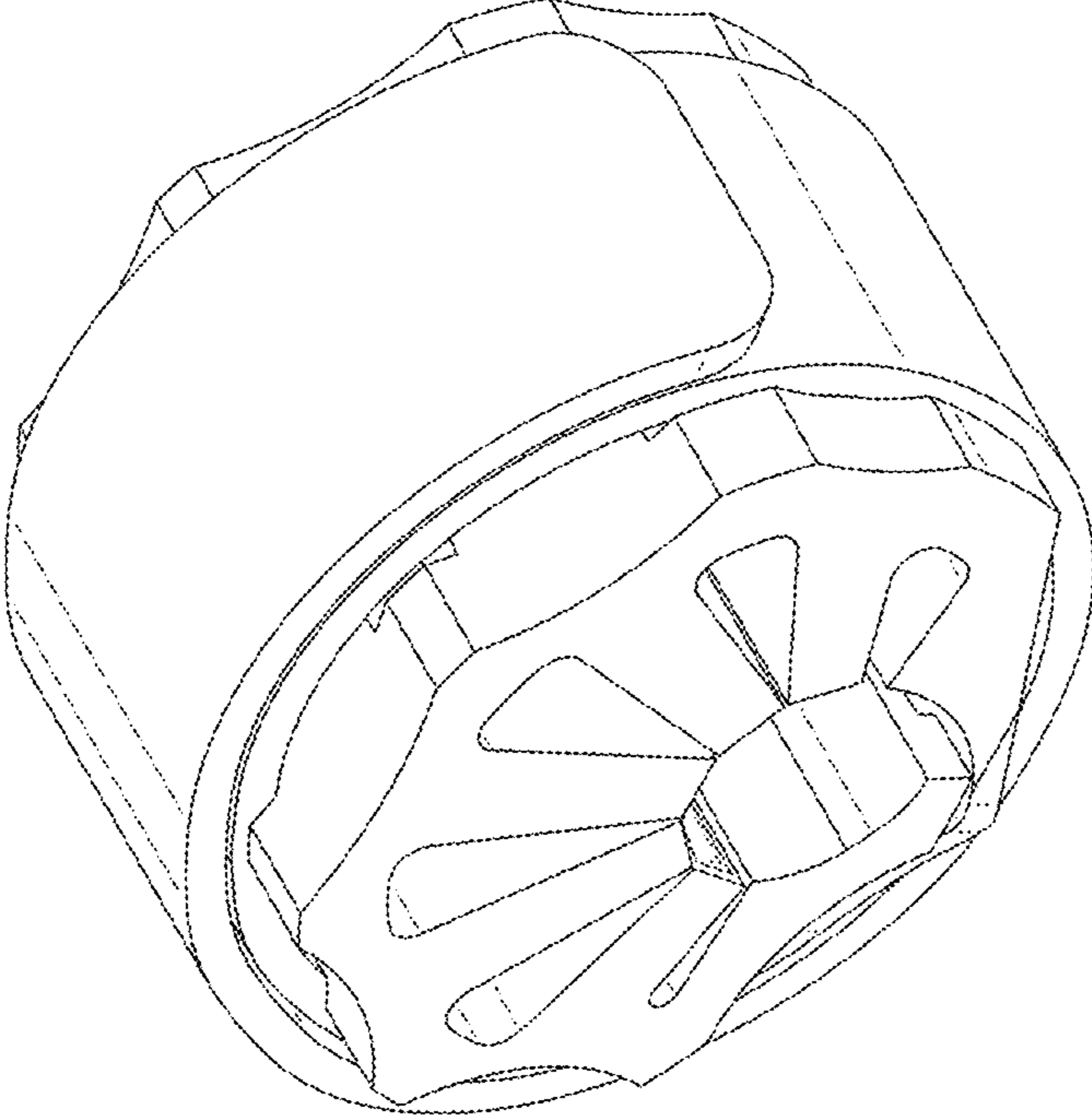


Fig. 6

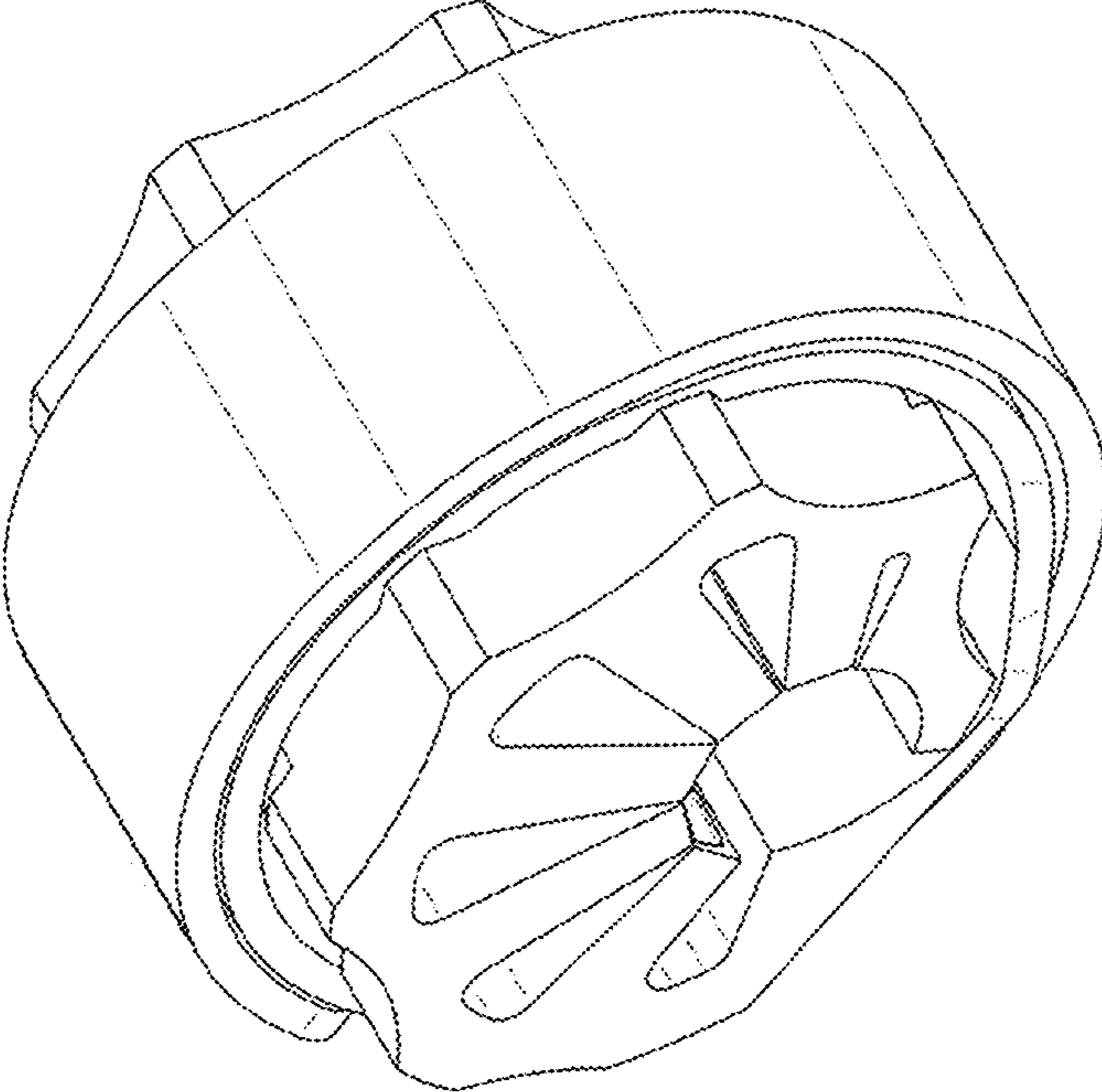


Fig. 5

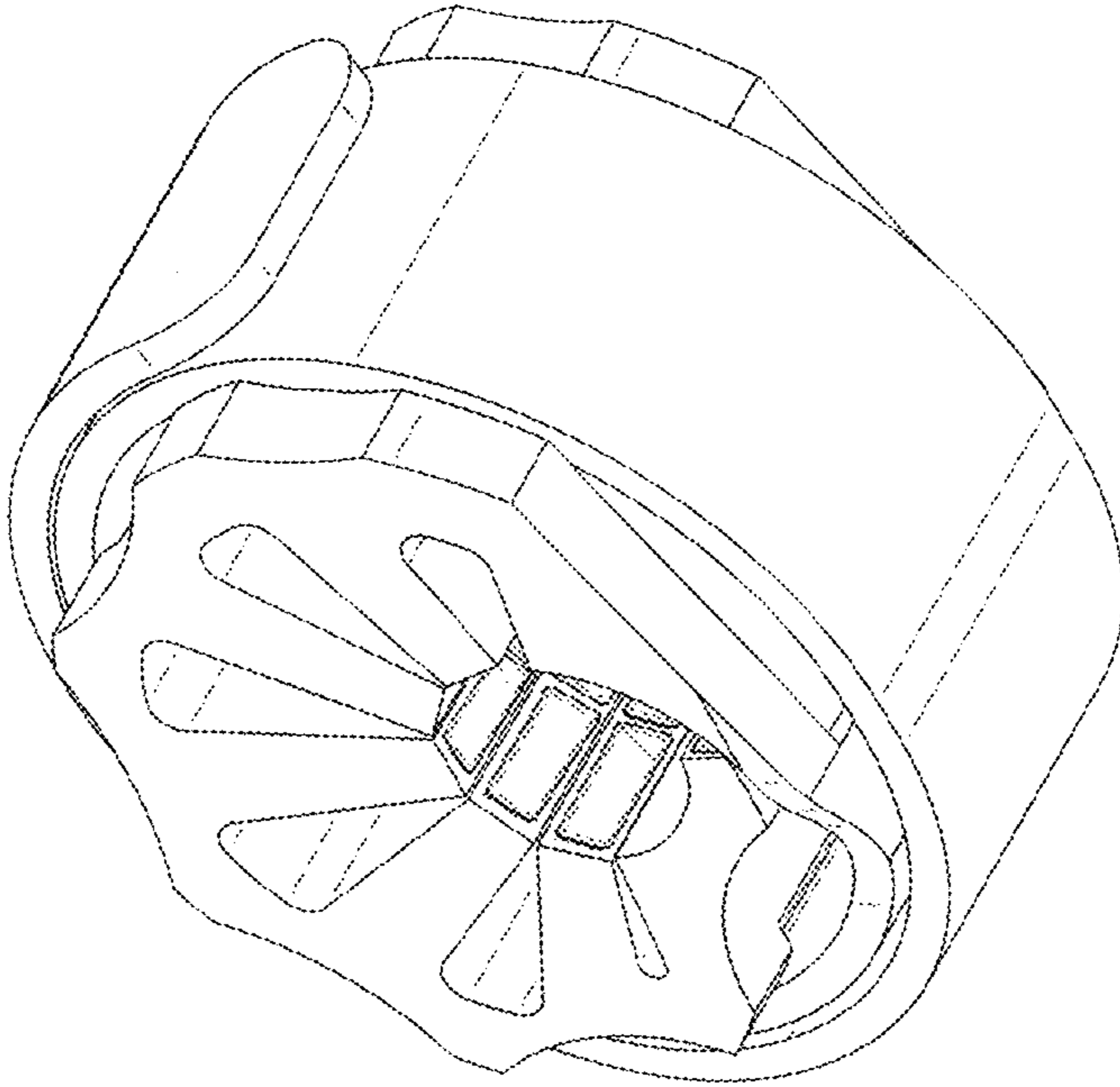


Fig. 8

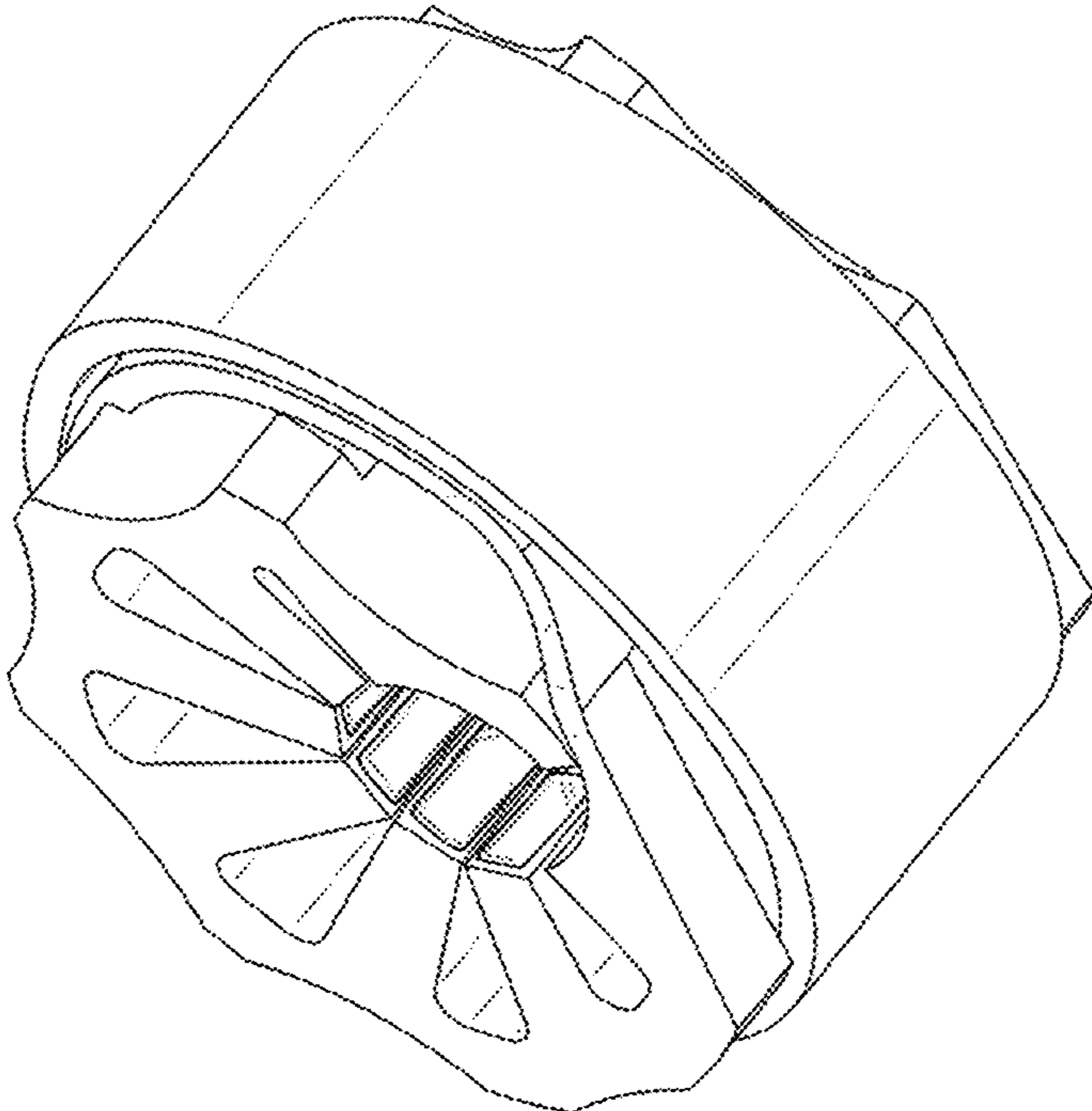


Fig. 7

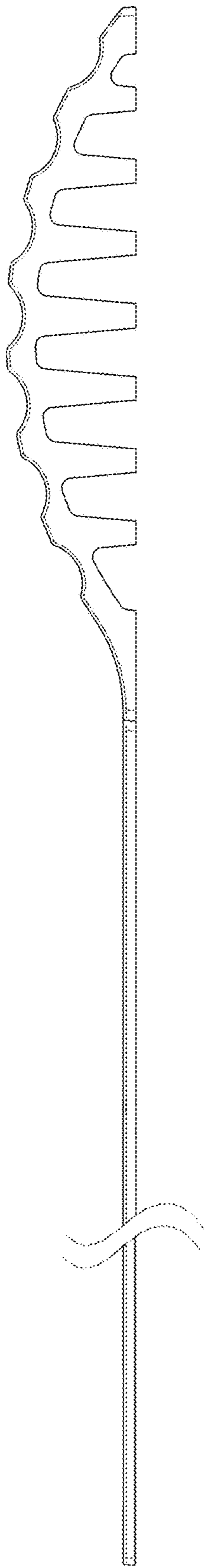


Fig. 9

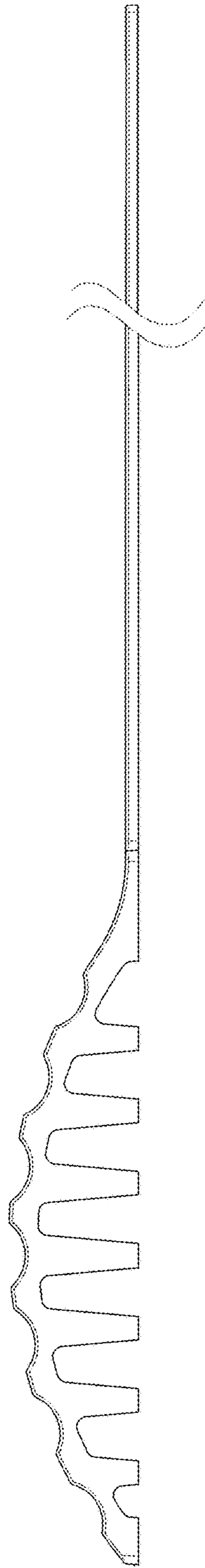


Fig. 10

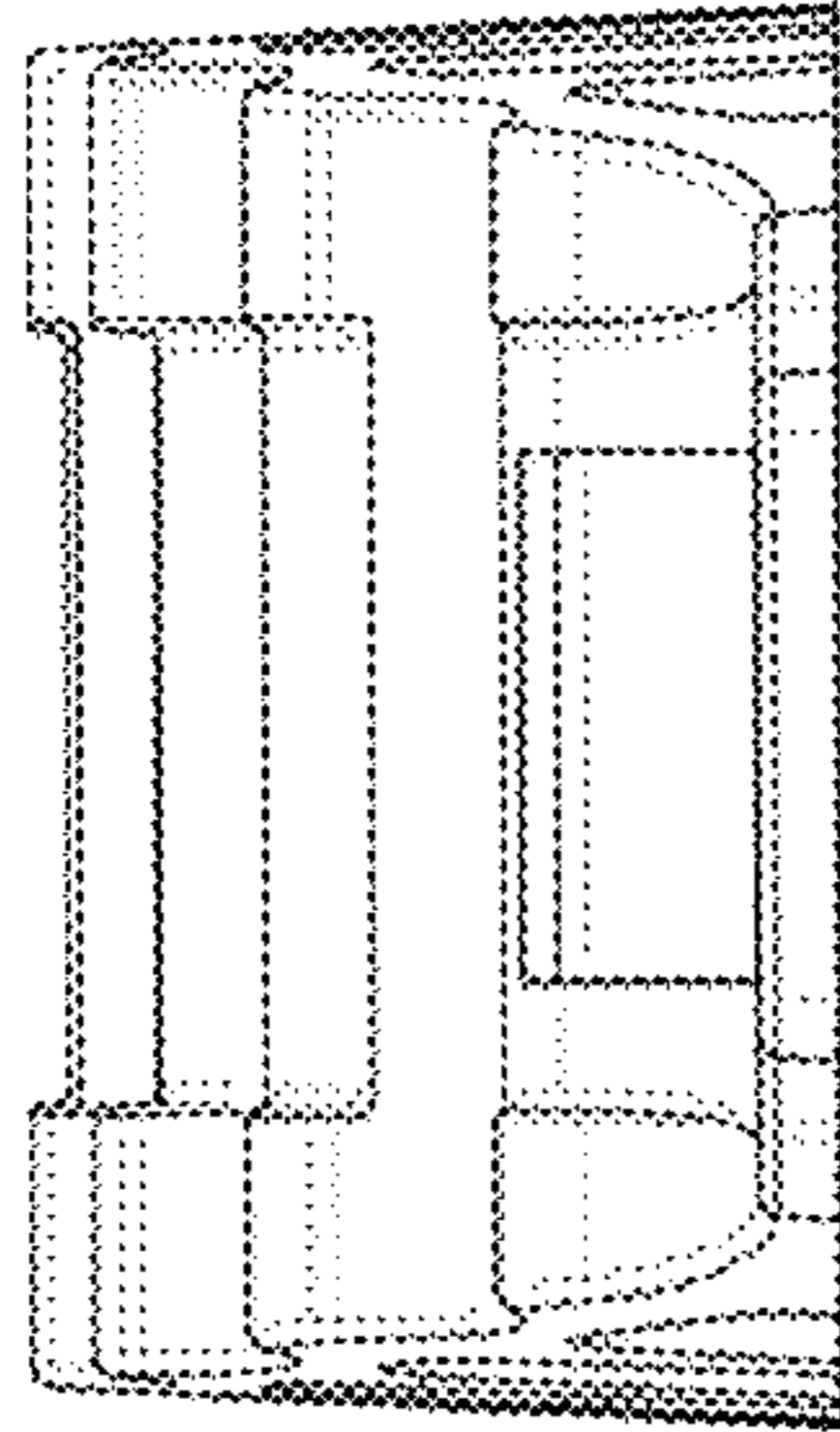


Fig. 11

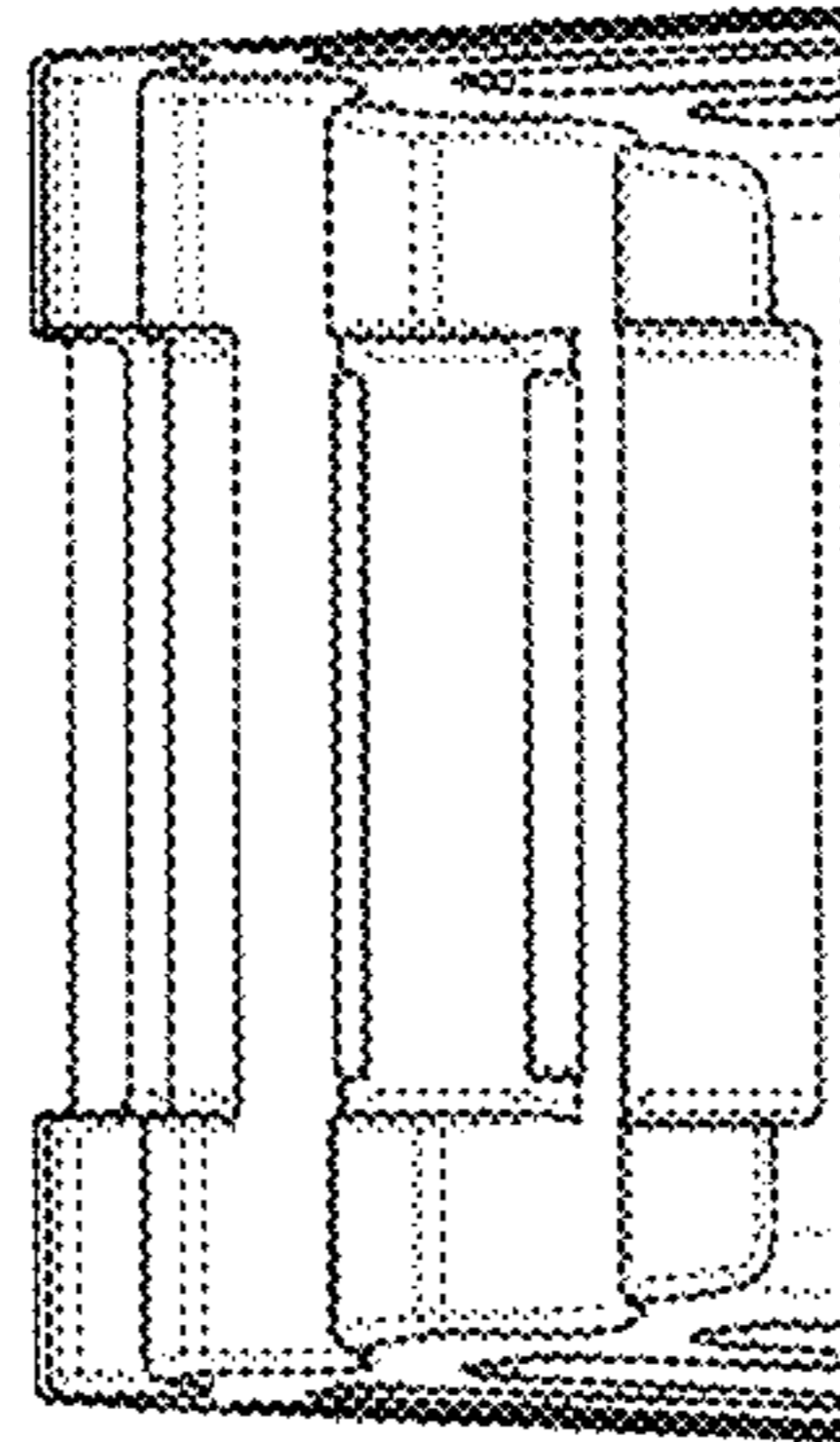


Fig. 12

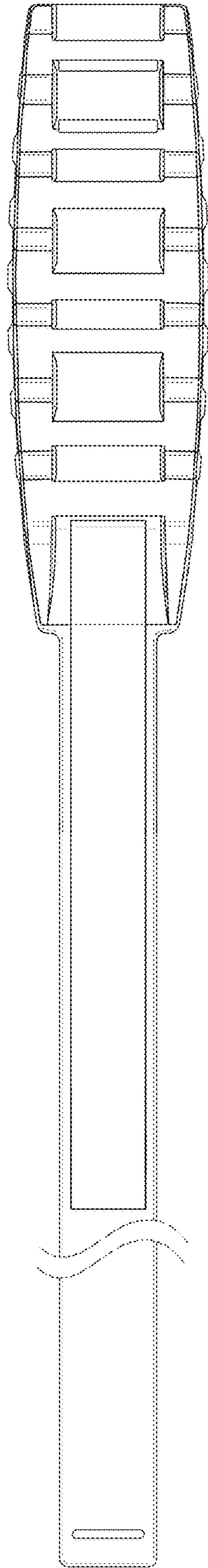


Fig. 13

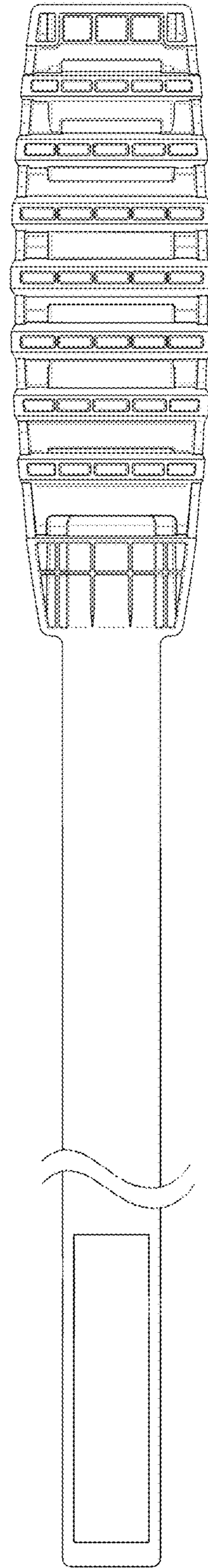


Fig. 14

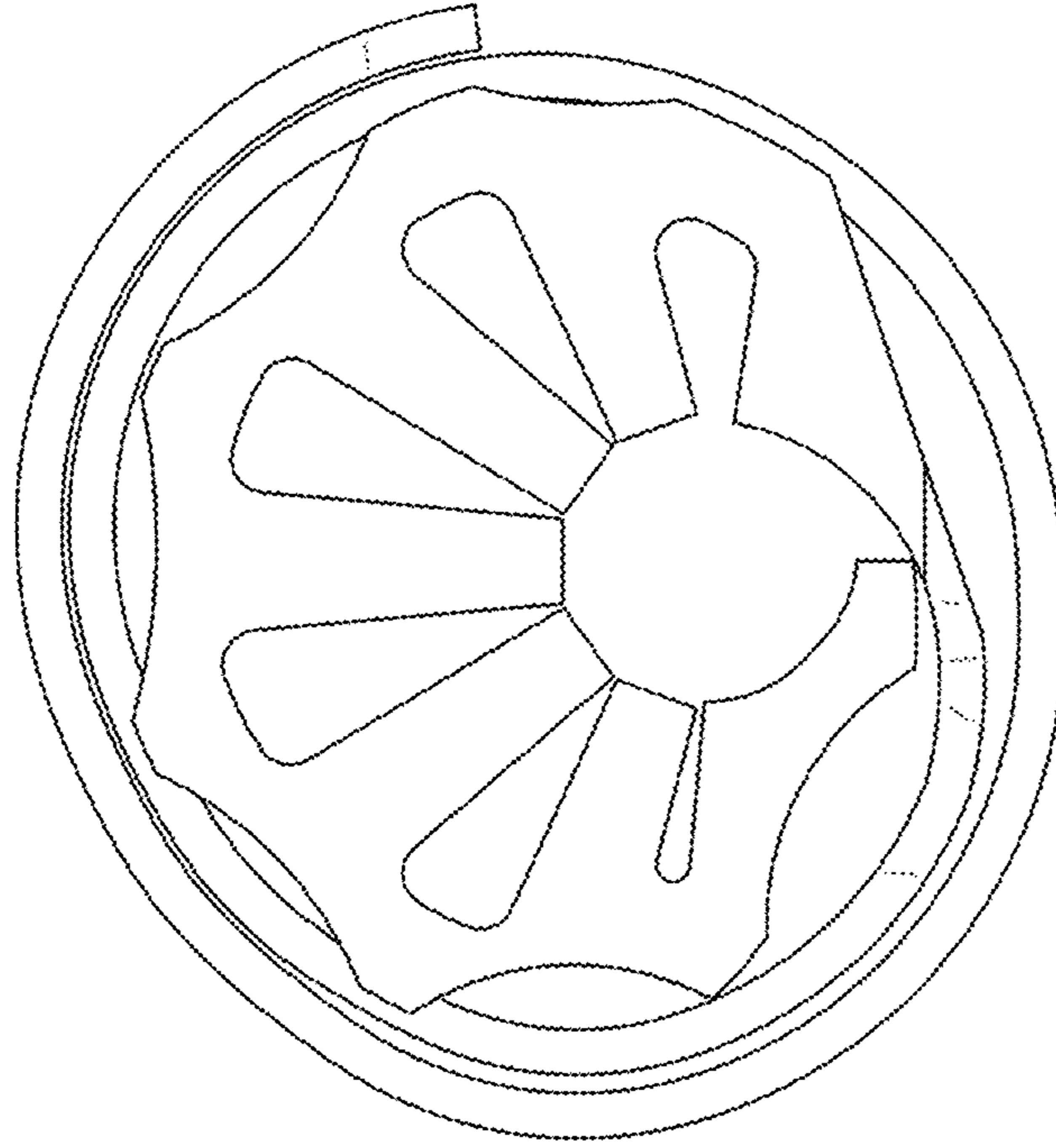


Fig. 15

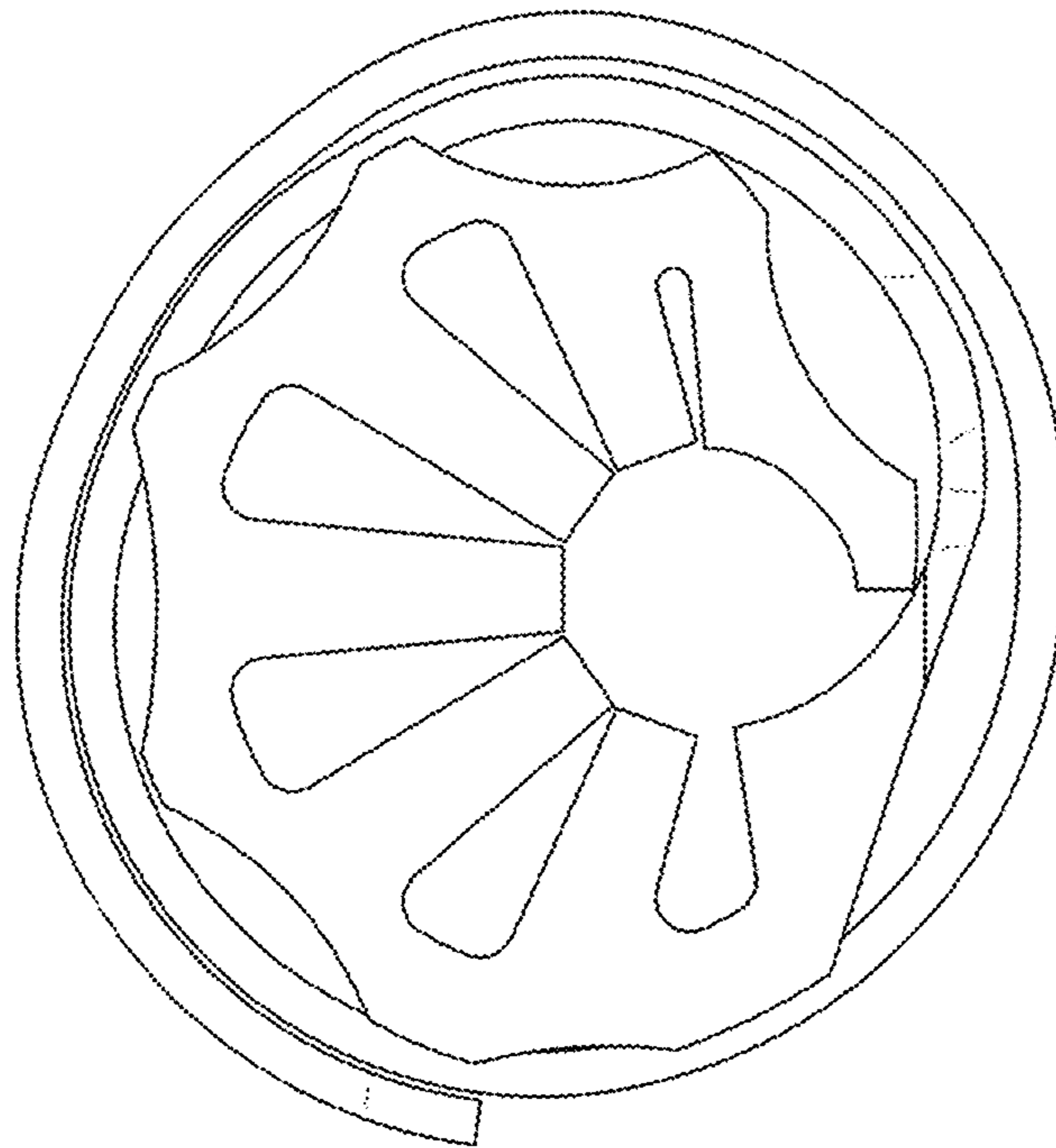


Fig. 16

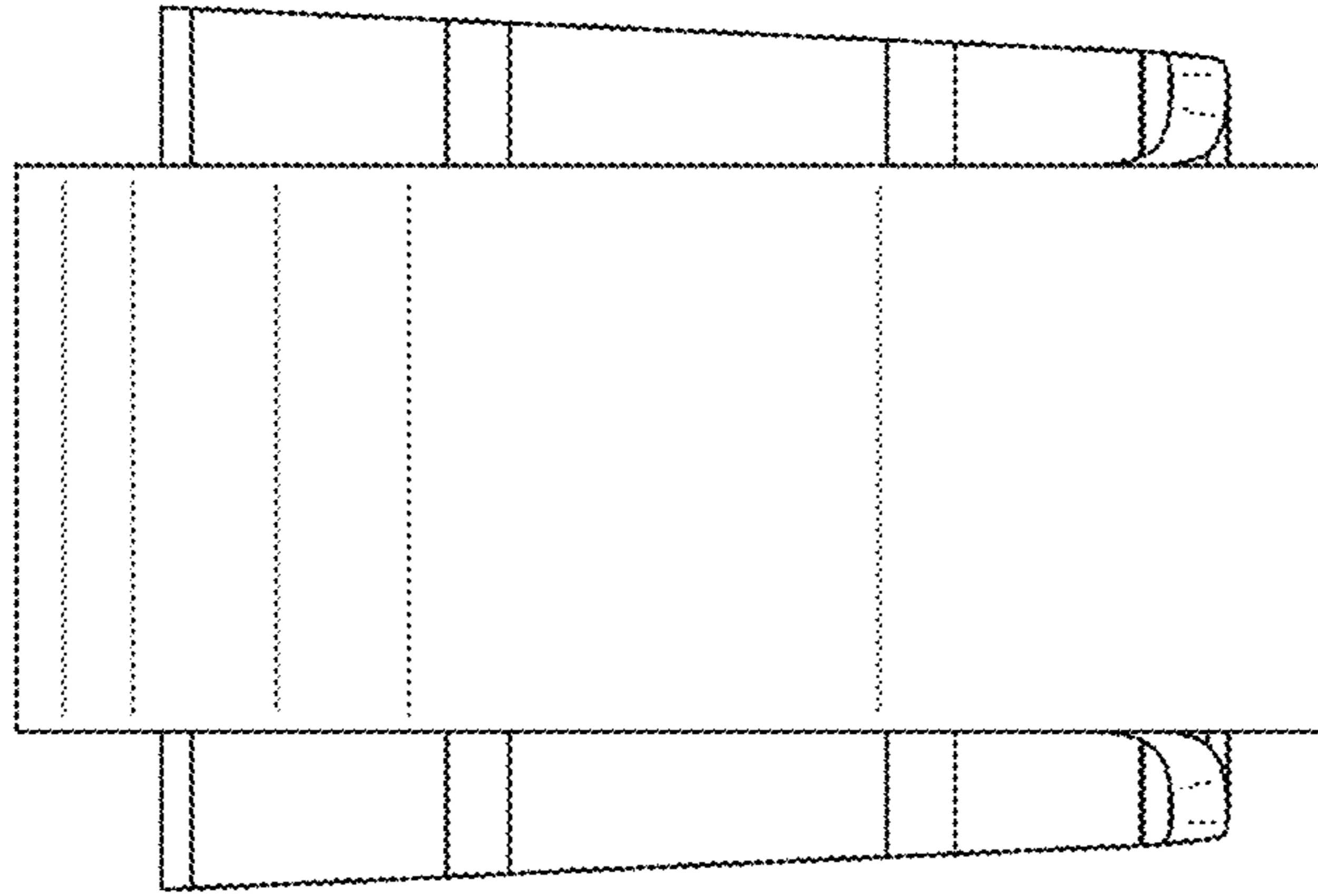


Fig. 18

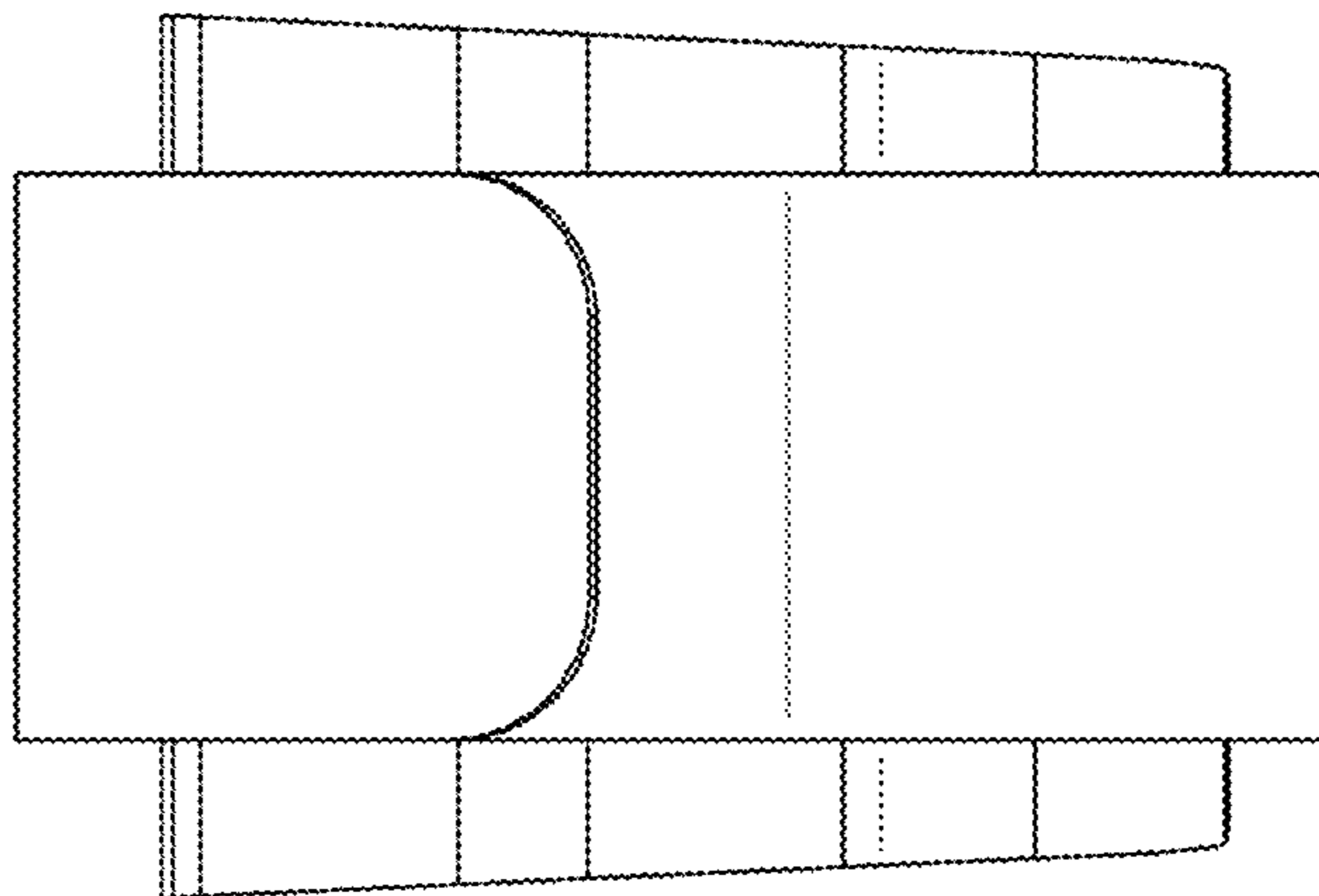


Fig. 17

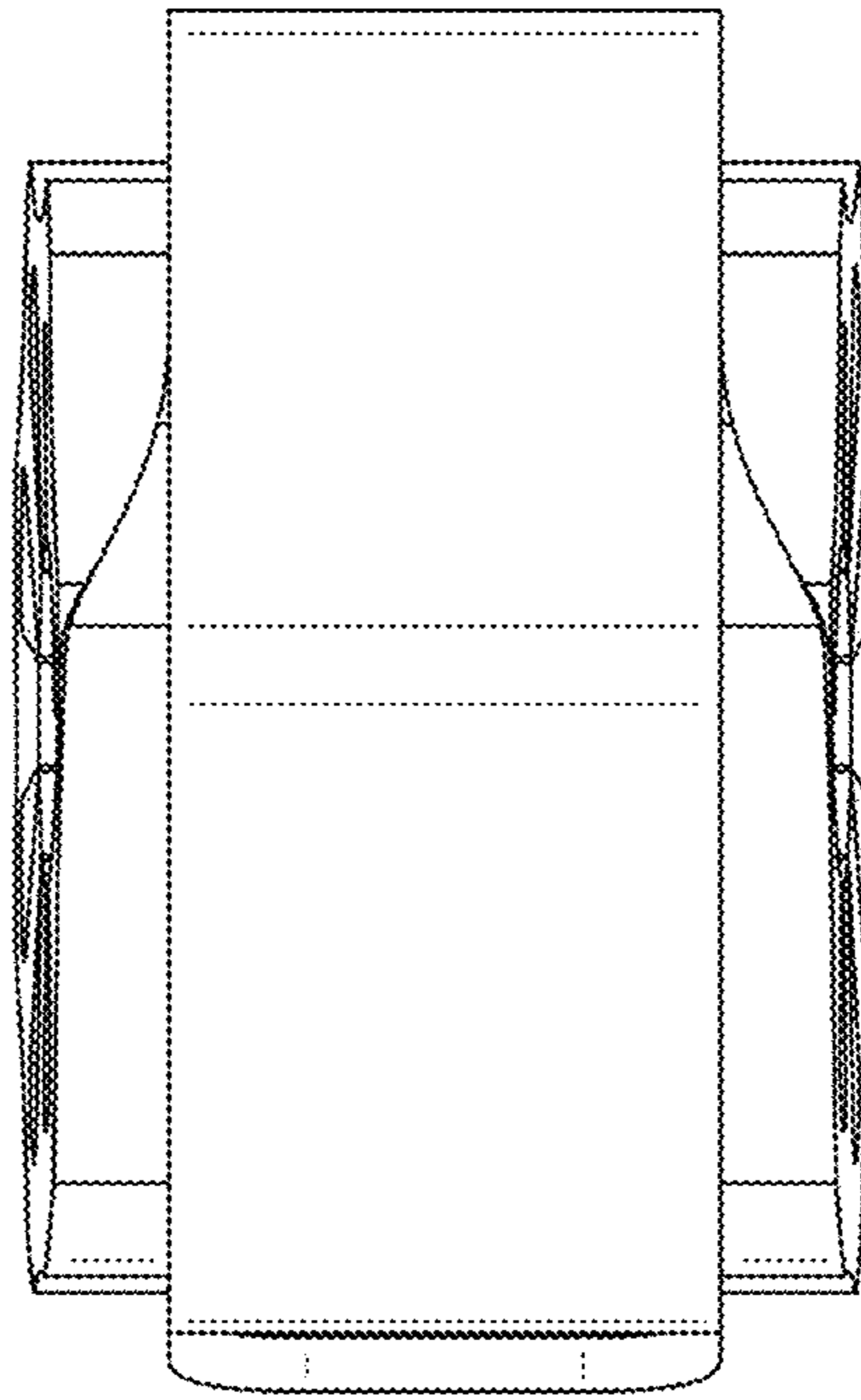


Fig. 20

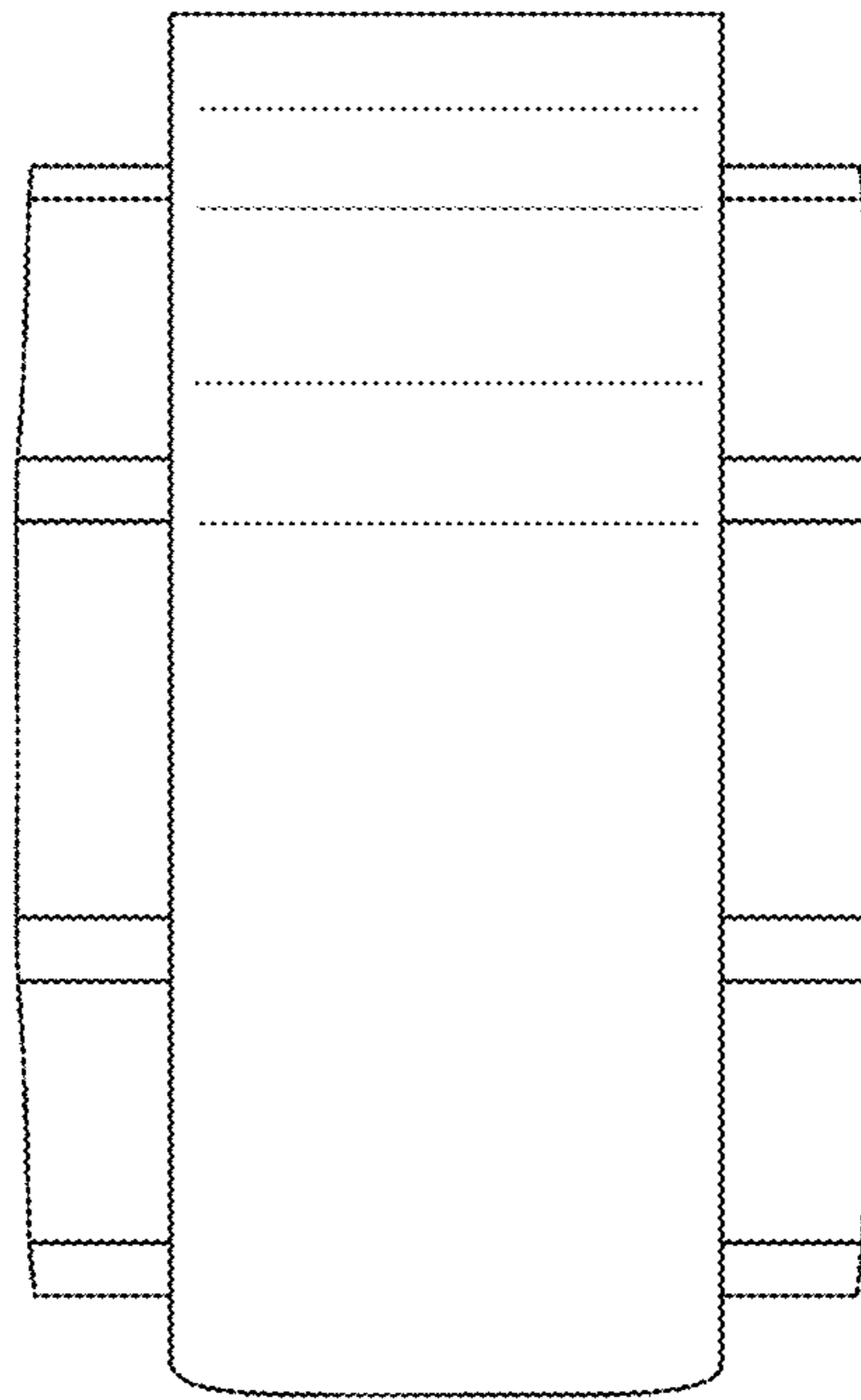


Fig. 19