



US00D790325S

(12) **United States Design Patent**
Gupta

(10) **Patent No.:** **US D790,325 S**

(45) **Date of Patent:** **** Jun. 27, 2017**

- (54) **PEGBOARD ADAPTER**
- (71) Applicant: **Anil K. Gupta**, Pittsburgh, PA (US)
- (72) Inventor: **Eshan Gupta**, Fox Chapel, PA (US)
- (73) Assignee: **Anil K. Gupta**, Pittsburgh, PA (US)
- (**) Term: **15 Years**

- 6,471,079 B2 * 10/2002 Berlingieri A47F 5/0838
211/105.3
- D467,792 S * 12/2002 Zadak A47F 5/0823
D8/354
- D467,793 S * 12/2002 Zadak D8/354
- D468,999 S * 1/2003 Zadak D8/354
- D469,000 S * 1/2003 Zadak D8/354
- D469,003 S * 1/2003 Valiulis D8/371

(Continued)

- (21) Appl. No.: **29/582,450**
- (22) Filed: **Oct. 27, 2016**
- (51) **LOC (10) Cl.** **08-05**
- (52) **U.S. Cl.**
USPC **D8/354**
- (58) **Field of Classification Search**
USPC D8/349, 354, 356, 366, 371; 52/238.1,
52/243.1, 394, 395, 578, 579, 584.1,
52/589.1; 248/300, 316.1
CPC A47F 5/0823; A47F 5/08
See application file for complete search history.

OTHER PUBLICATIONS

Long Bracket Non-Patent Literature.

Primary Examiner — Lakiya Rogers
Assistant Examiner — Harold E Blackwell, II
 (74) *Attorney, Agent, or Firm* — James Ray and Assocs;
 Alexander Pokot

(57) **CLAIM**

The ornamental design for a pegboard adapter, as shown and described.

DESCRIPTION

The present application closely relates to co-pending U.S. nonprovisional patent application Ser. No. 15/336,039, titled "Pegboard Adapter and Method" and filed concurrently herewith by inventors Eshan Gupta and Anil Gupta.

FIG. 1 depicts a perspective view of one embodiment of a pegboard adapter showing my new design.

FIG. 2 depicts a front view of the pegboard adapter of FIG. 1.

FIG. 3 depicts a rear view of the pegboard adapter in FIG. 1.

FIG. 4 depicts a top view of the pegboard adapter in FIG. 1.

FIG. 5 depicts a bottom view of the pegboard adapter in FIG. 1; and,

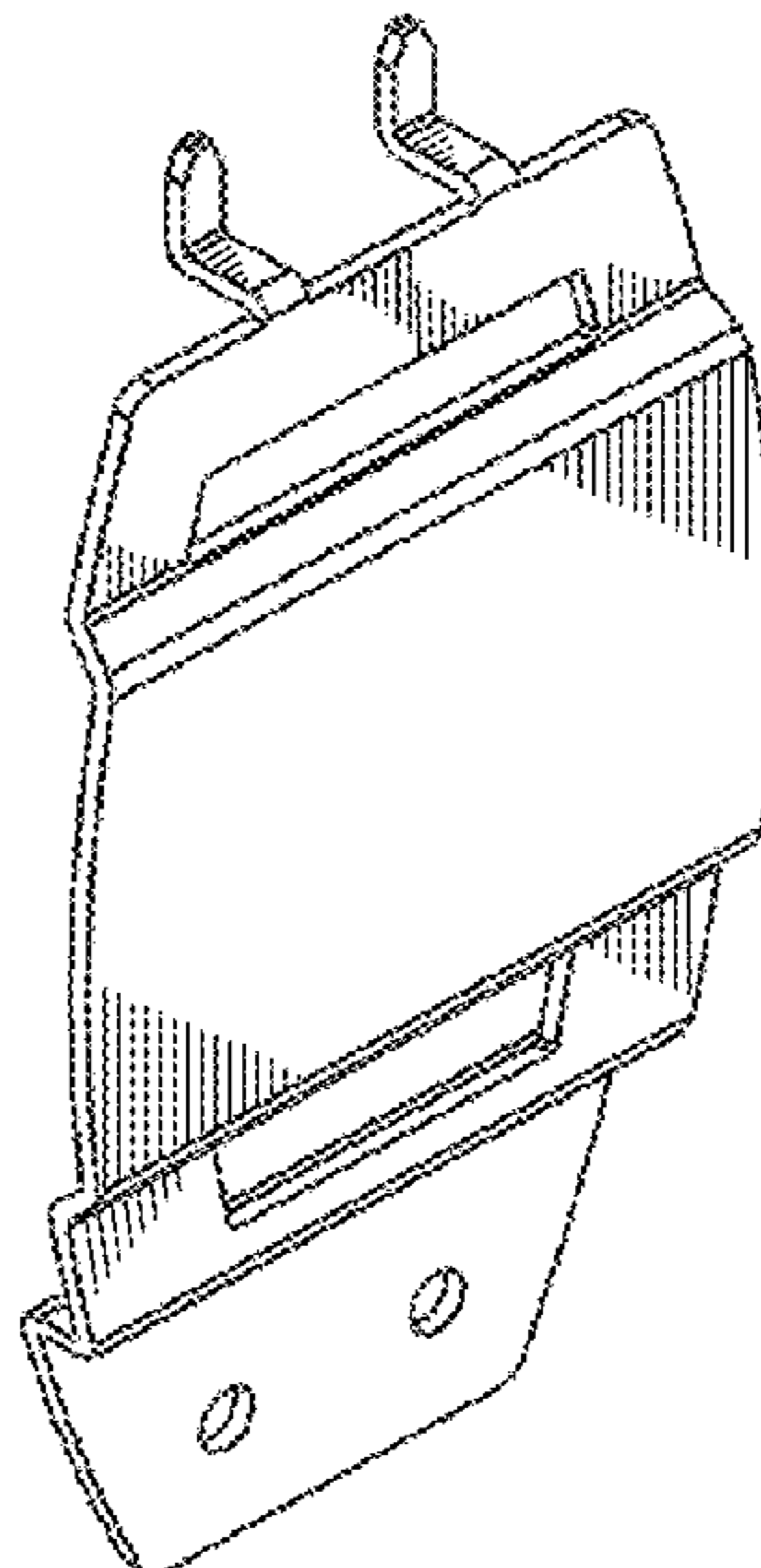
FIG. 6 depicts a left side view of the pegboard adapter in FIG. 1. The right side view is identical.

(56) **References Cited**

U.S. PATENT DOCUMENTS

- 4,303,217 A 12/1981 Garfinkle
- 4,441,619 A * 4/1984 Gibitz B25H 3/04
211/59.1
- 4,452,360 A * 6/1984 Barnes A47F 5/0823
211/59.1
- 4,619,428 A * 10/1986 Bailey A47F 5/0823
248/220.43
- 4,678,151 A * 7/1987 Radek A47F 5/0846
211/59.1
- 4,809,940 A 3/1989 Trestyn
- 5,407,160 A 4/1995 Hollingsworth et al.
- 5,881,982 A 3/1999 Hollingsworth et al.
- 6,266,250 B1 * 7/2001 Foye H05K 7/12
211/41.17
- 6,349,909 B1 * 2/2002 Zarrow A47F 5/0823
211/57.1
- 6,454,230 B1 9/2002 Accuardi

1 Claim, 3 Drawing Sheets



(56)

References Cited

U.S. PATENT DOCUMENTS

D470,395 S * 2/2003 Valiulis D8/354
D471,431 S * 3/2003 Valiulis A47F 5/0823
D8/349
6,722,619 B2 4/2004 Valiulis et al.
D502,388 S * 3/2005 Cortez D8/356
D532,680 S * 11/2006 Jackson D8/367
D541,139 S * 4/2007 Jackson D8/367
7,210,660 B2 5/2007 James et al.
7,334,763 B1 * 2/2008 Rice A47F 5/0823
211/57.1
7,891,617 B2 2/2011 Tisbo
D649,267 S * 11/2011 Apgood, II D25/138
8,177,311 B2 * 5/2012 Apgood, II A47B 57/34
312/245
D679,172 S 4/2013 Dixon
2003/0057336 A1 3/2003 Hochman
2009/0266953 A1 10/2009 Goldstein et al.
2010/0206825 A1 * 8/2010 Johnston A47F 5/0853
211/59.2

* cited by examiner

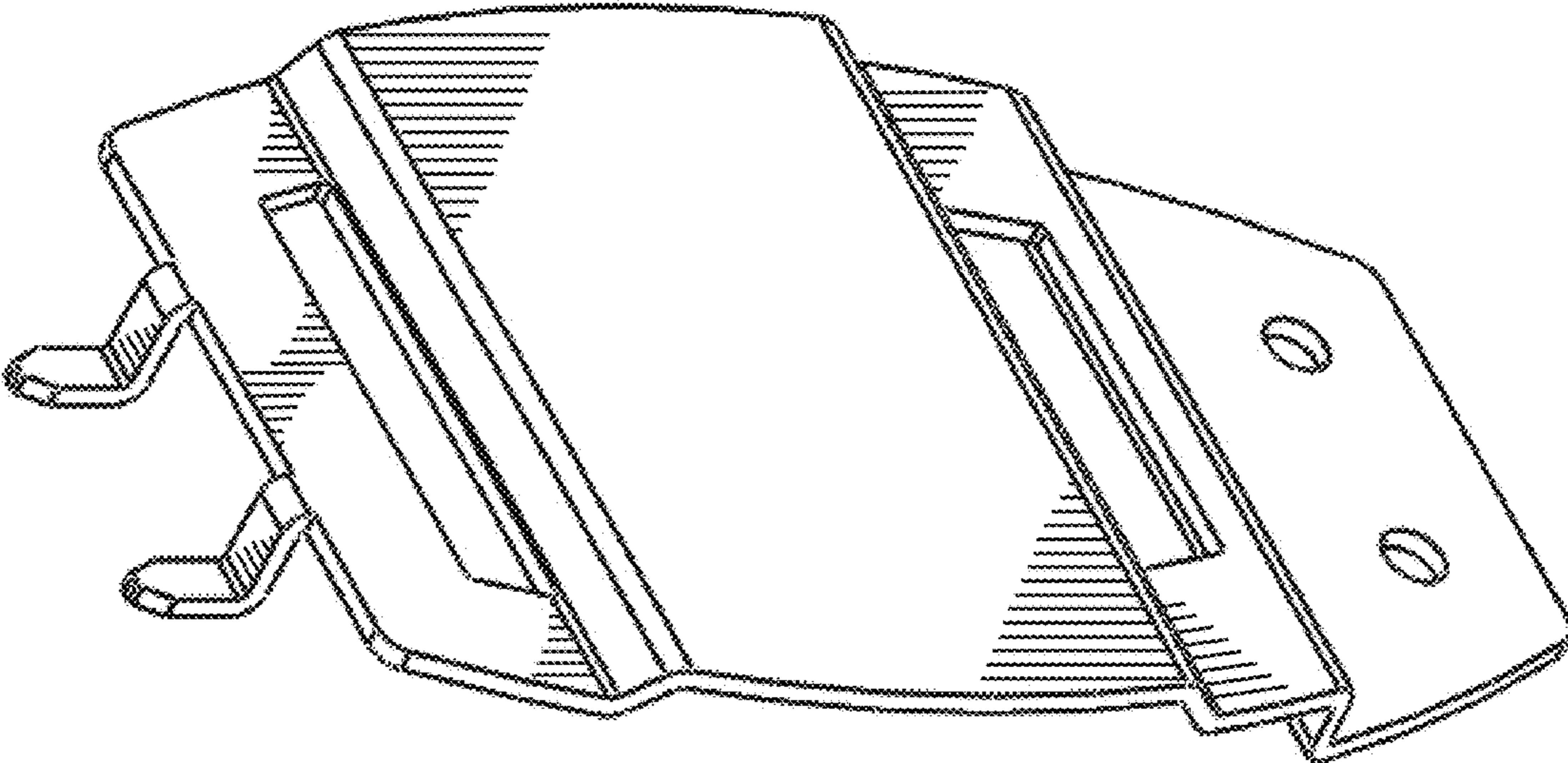


FIGURE 1

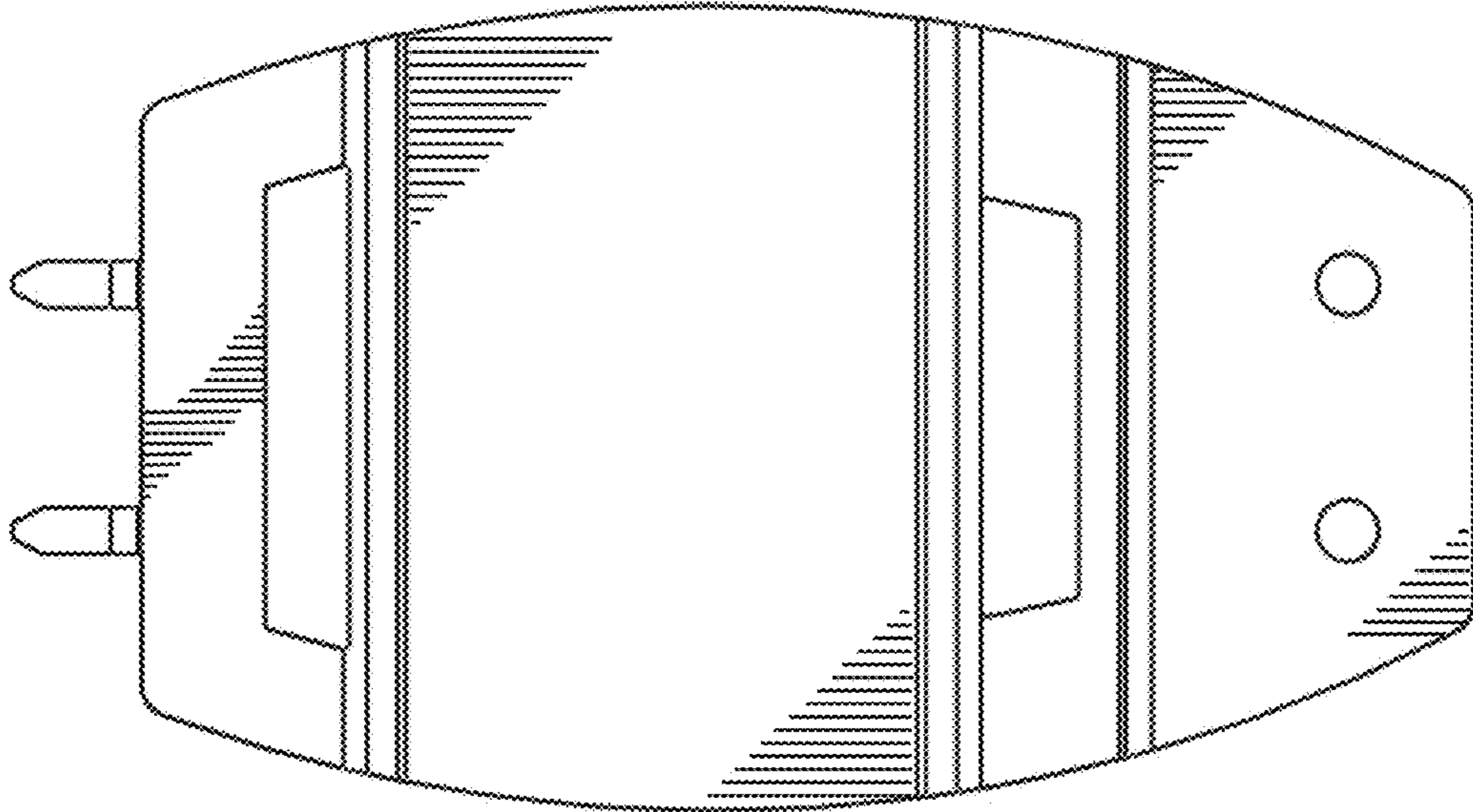


FIGURE 3

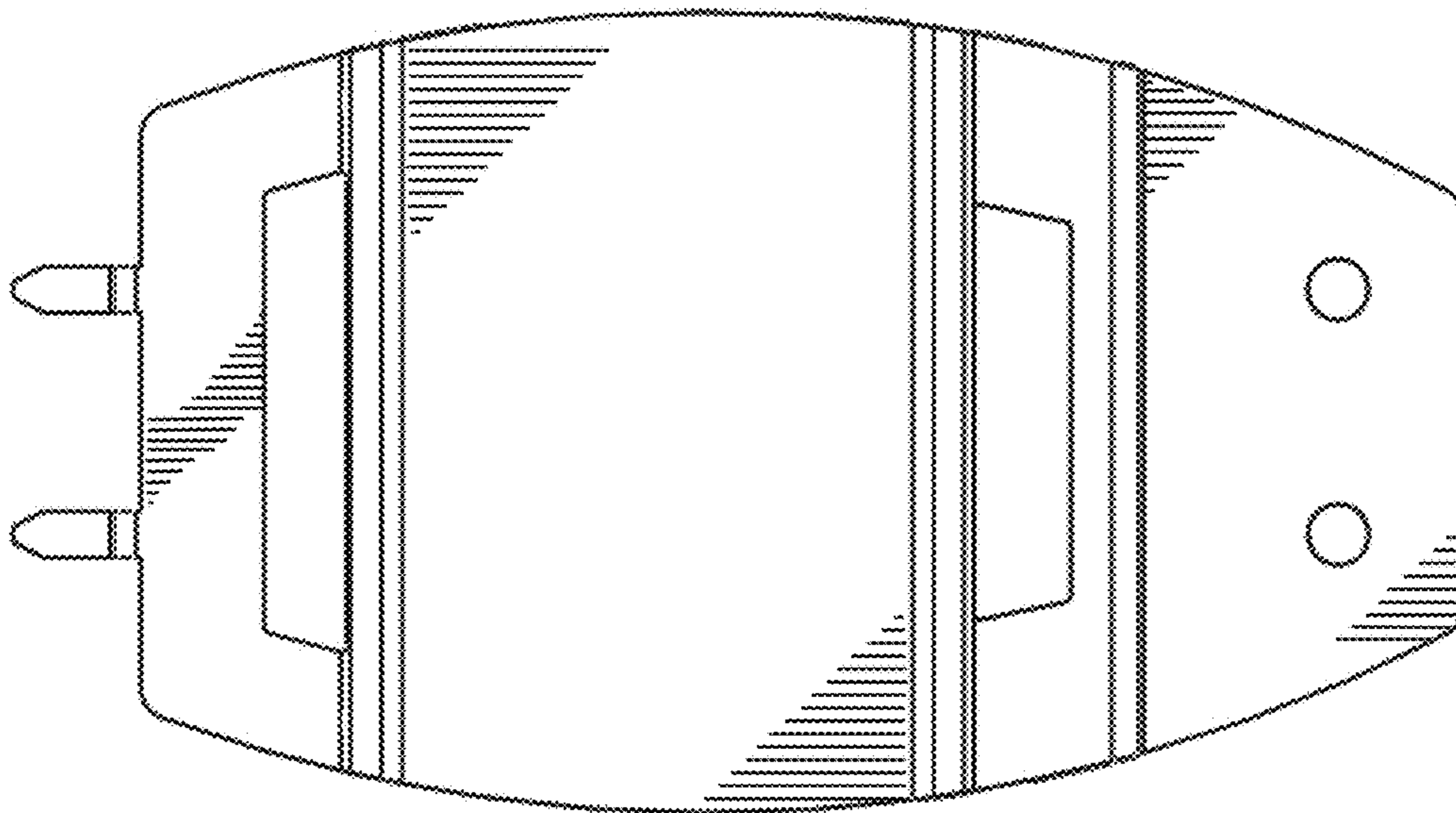


FIGURE 2

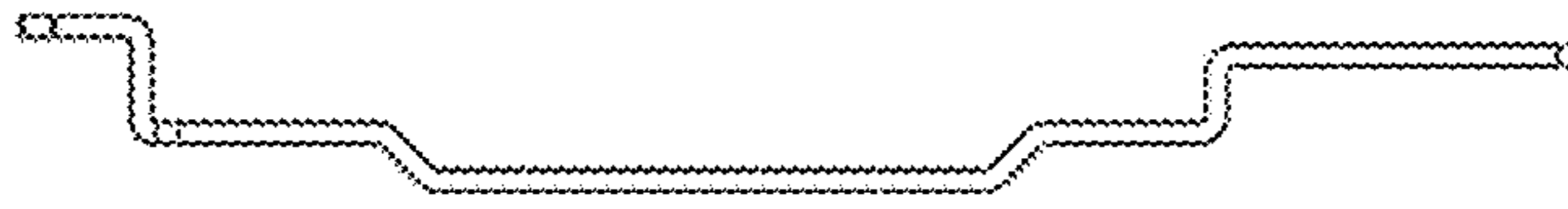


FIGURE 6

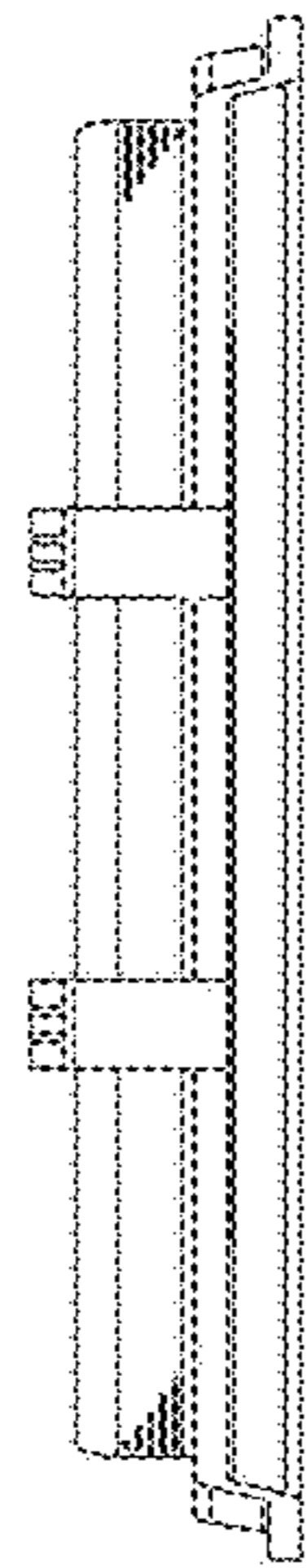


FIGURE 4

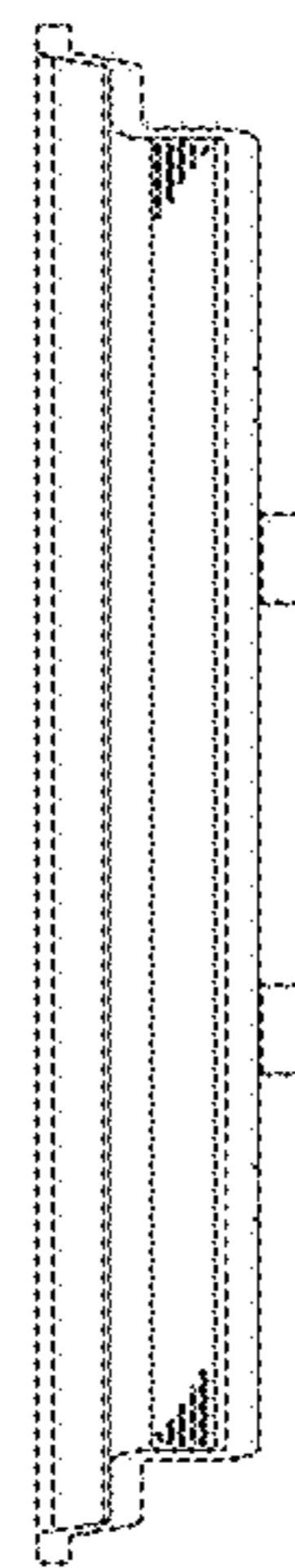


FIGURE 5