

US00D790324S

(12) **United States Design Patent**
Ajello

(10) **Patent No.:** **US D790,324 S**
(45) **Date of Patent:** **** Jun. 27, 2017**

- (54) **PARTITION BRACE PEDESTAL**
- (71) Applicant: **Mike Ajello**, Santa Ana, CA (US)
- (72) Inventor: **Mike Ajello**, Santa Ana, CA (US)
- (**) Term: **15 Years**
- (21) Appl. No.: **29/567,692**
- (22) Filed: **Jun. 10, 2016**
- (51) **LOC (10) Cl.** **08-05**
- (52) **U.S. Cl.**
USPC **D8/354**
- (58) **Field of Classification Search**
USPC D8/48, 71, 315–322, 354–355, 378–381,
D8/400–499; D12/420, 223;
D25/119–125, 199; D26/113
CPC F16L 1/00; F16L 9/00; F16L 13/00; B25H
3/04; A61B 1/00; A61B 17/00; A61B
2217/00; A61B 2218/00; H02G 1/00;
H02G 2200/00; A47F 1/00; H02J 1/00
See application file for complete search history.

(56) **References Cited**

U.S. PATENT DOCUMENTS

- 3,495,857 A * 2/1970 Hawke E04B 1/5831
403/57
- 4,881,353 A * 11/1989 Braendel E04H 1/1266
49/237
- 5,232,204 A * 8/1993 Nunez E04G 25/06
254/133 A
- D355,662 S * 2/1995 Crump, Jr. D10/82
- D375,253 S * 11/1996 Campbell D8/380
- D377,310 S * 1/1997 Crump, Jr. D8/373
- D435,433 S * 12/2000 Miller D8/354
- D540,473 S * 4/2007 Loggen D25/58
- D572,115 S * 7/2008 Cunningham D12/317

- D573,524 S * 7/2008 Smith D12/223
- D701,159 S * 3/2014 Lambert D12/223
- D740,367 S * 10/2015 White D20/41
- 9,168,982 B1 * 10/2015 Robichaux, Jr. B63B 25/002

OTHER PUBLICATIONS

Stainless Steel Partition Support Brace U-Shape, copyright 2017, [retrieved Mar. 3, 2017]. Retrieved from Internet, <URL: <https://www.robertbrooke.com/bathroom/partition-parts/partition-brace-supports/stainless-steel-partition-brace-support.html> >.*

Home / Partition Hardware Parts / Pilaster Support Brackets & Shoes / Pilaster Support Brackets / Pilaster Support Bracket, copyright 2015, [retrieved Mar. 3, 2017]. Retrieved from, <URL: <http://shopgalaxyhardware.com/partition-hardware-parts/pilaster-support-brackets-and-shoes/pilaster-support-brackets/pilaster-support-bkt-1-1-4-x-14-ss.html> >.*

* cited by examiner

Primary Examiner — Barbara Fox
Assistant Examiner — Kristin E Reed

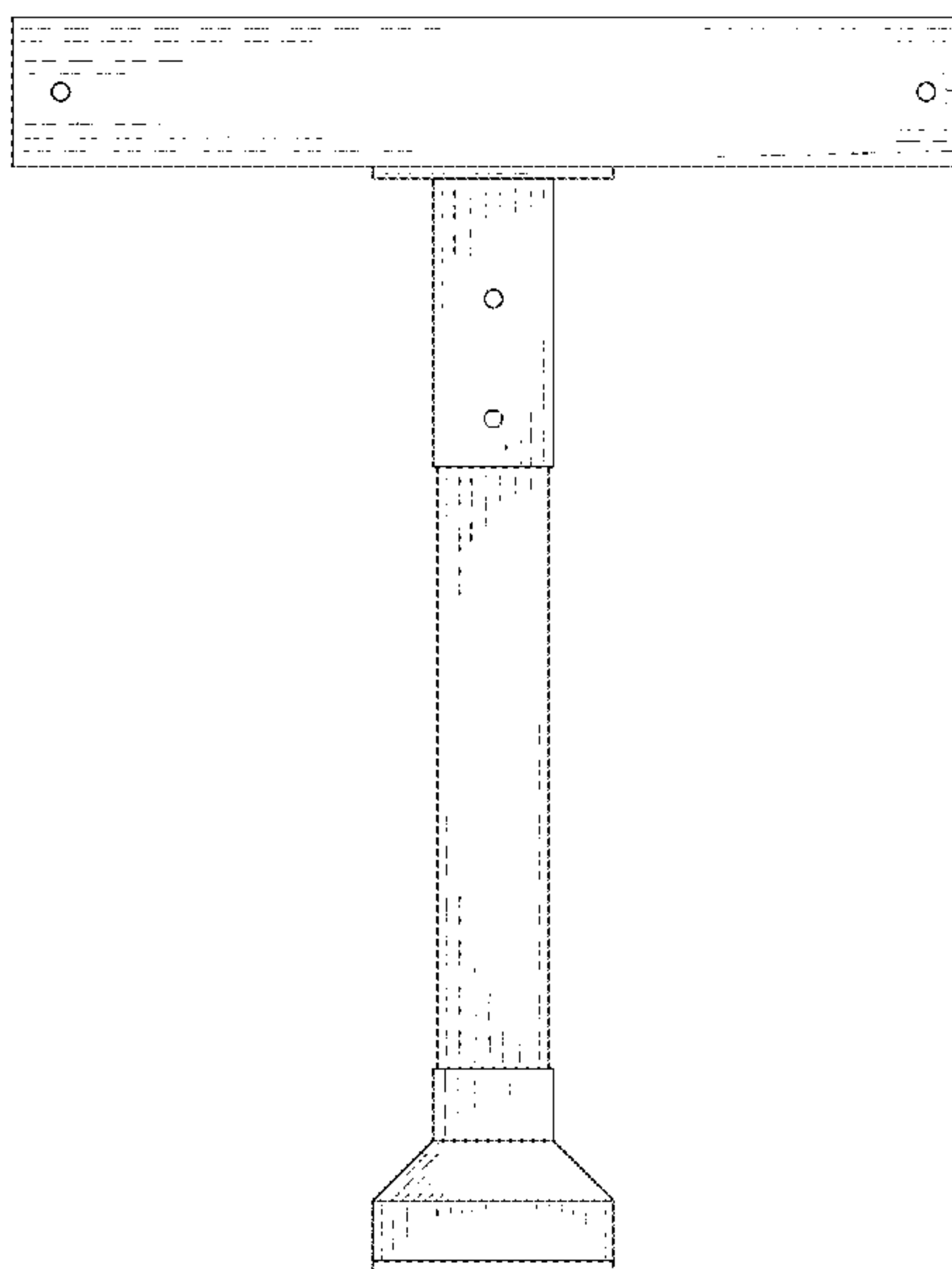
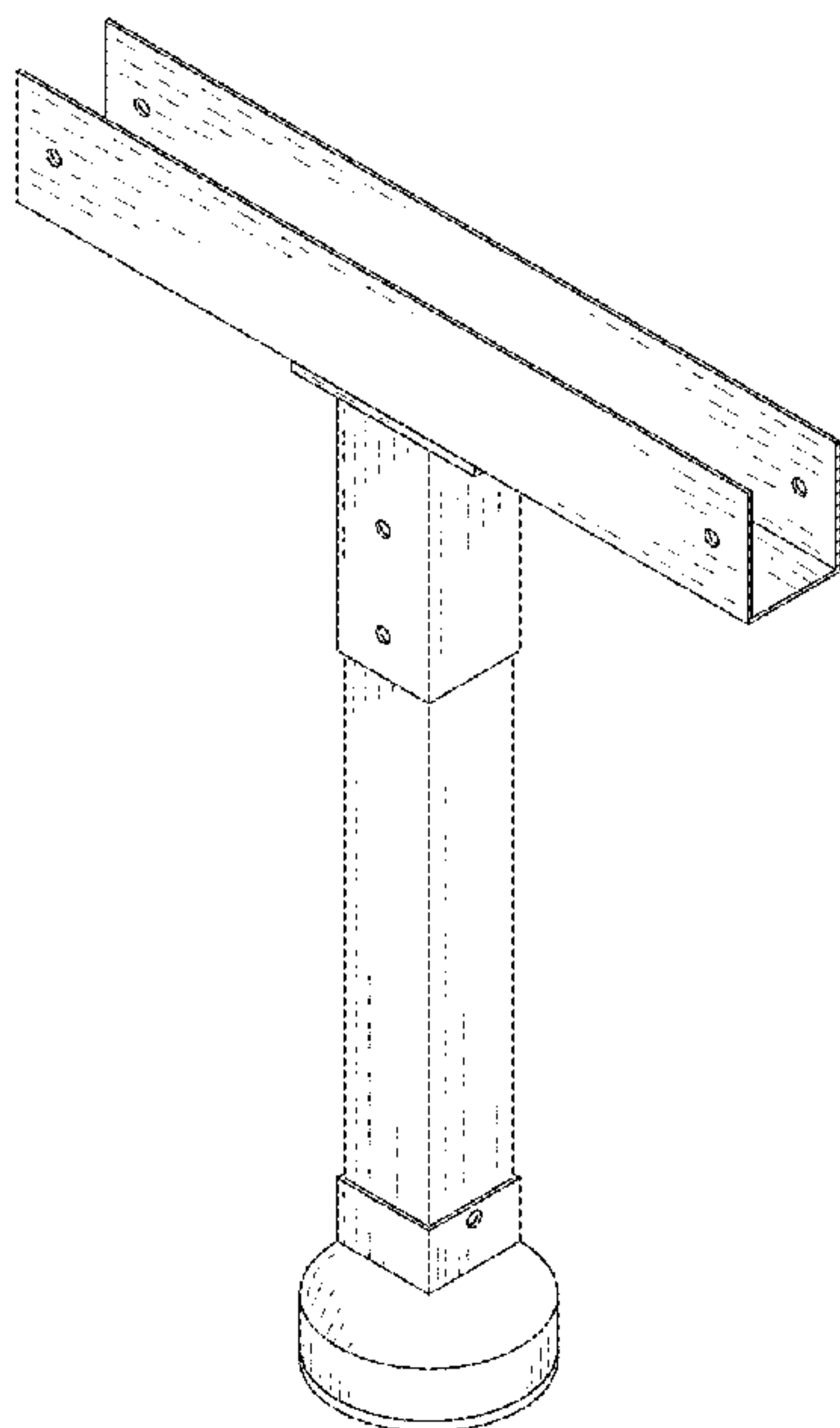
(57) **CLAIM**

The ornamental design for a partition brace pedestal, as shown and described.

DESCRIPTION

FIG. 1 is a top perspective view of a partition brace pedestal showing the new design;
FIG. 2 is a bottom perspective view thereof;
FIG. 3 is a front elevational view thereof;
FIG. 4 is a rear elevational view thereof;
FIG. 5 is a left-side elevational view thereof;
FIG. 6 is a right-side elevational view thereof;
FIG. 7 is a top plan view thereof; and,
FIG. 8 is a bottom plan view thereof.

1 Claim, 8 Drawing Sheets



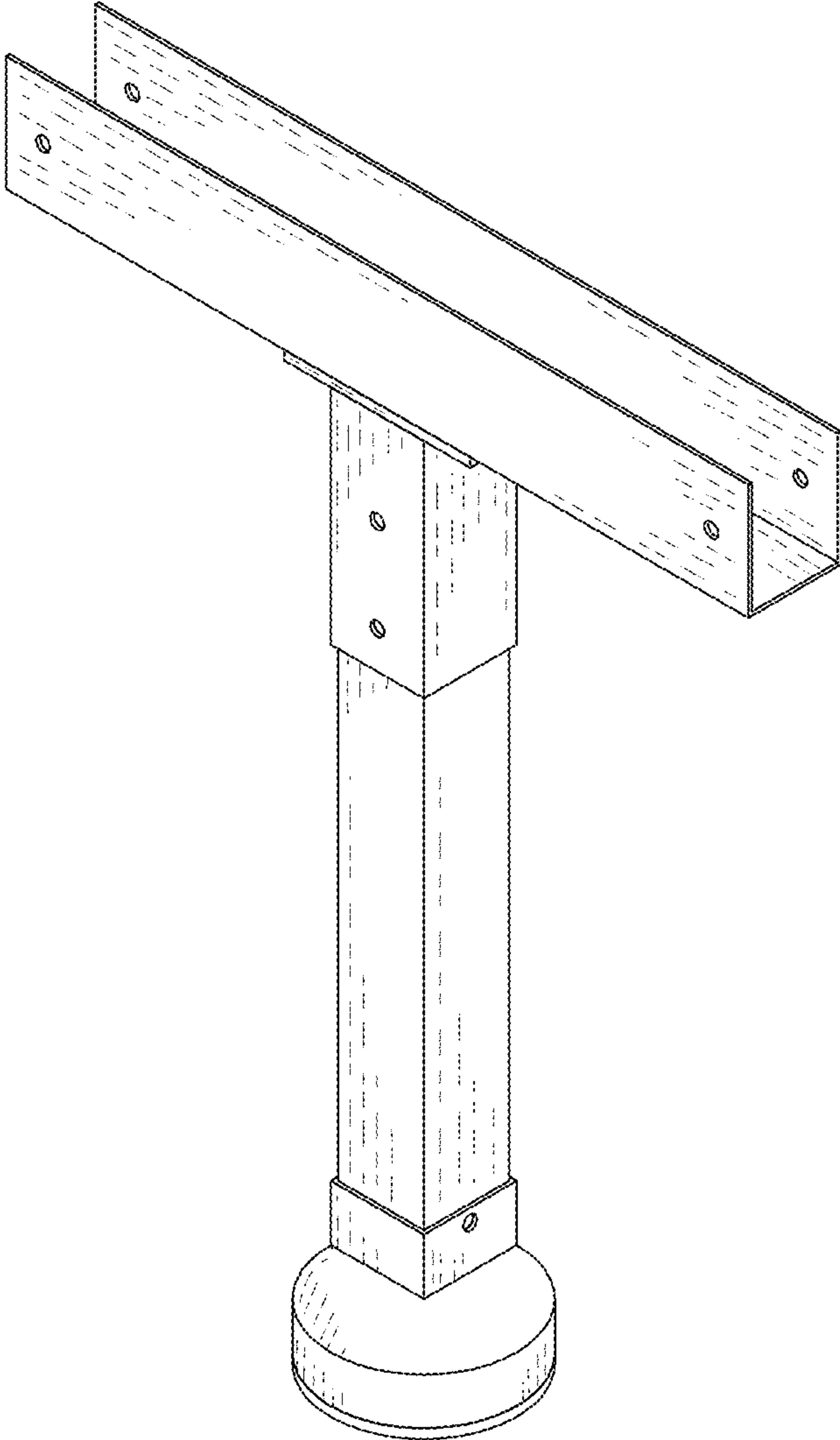


FIG. 1

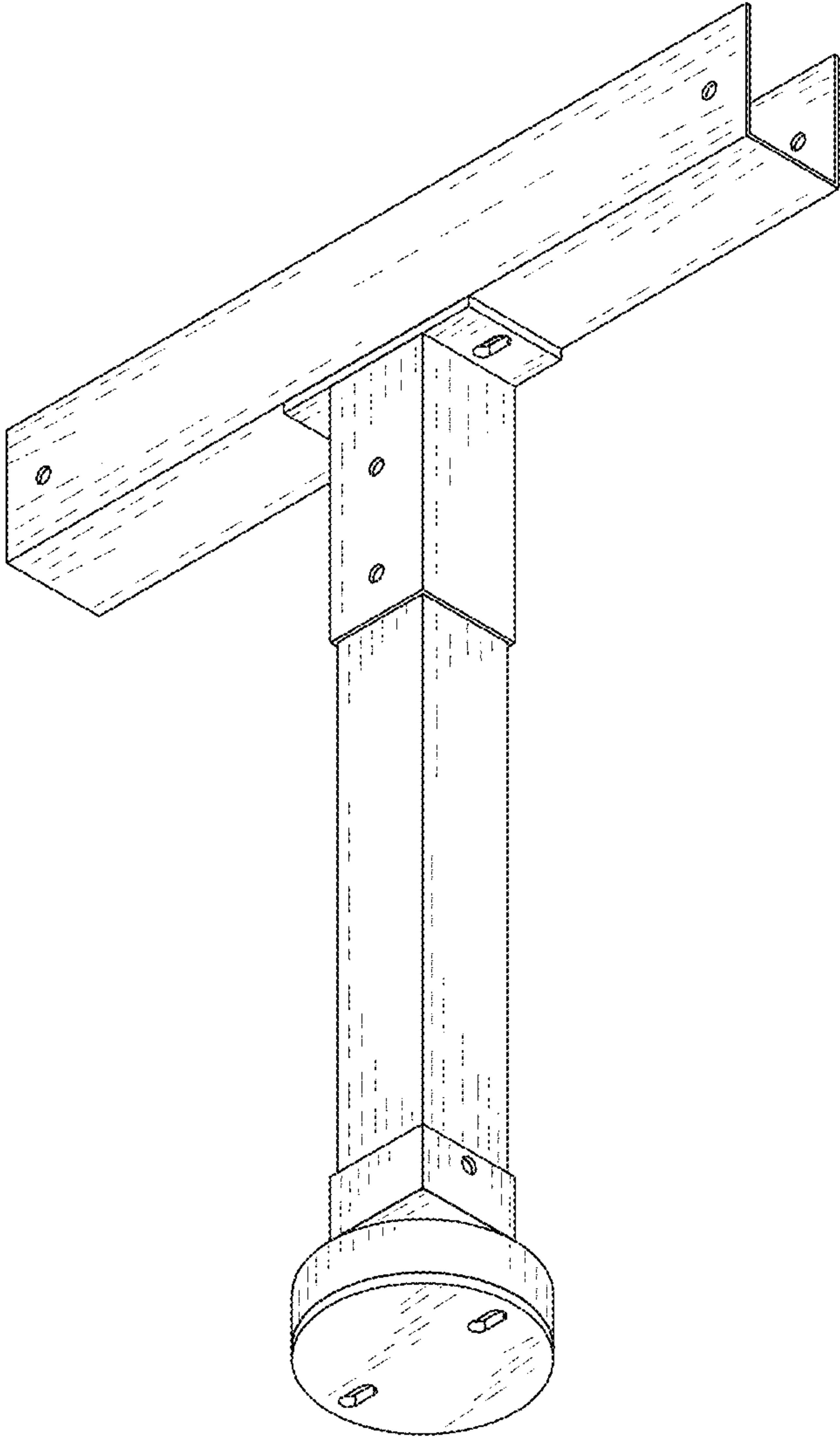


FIG. 2

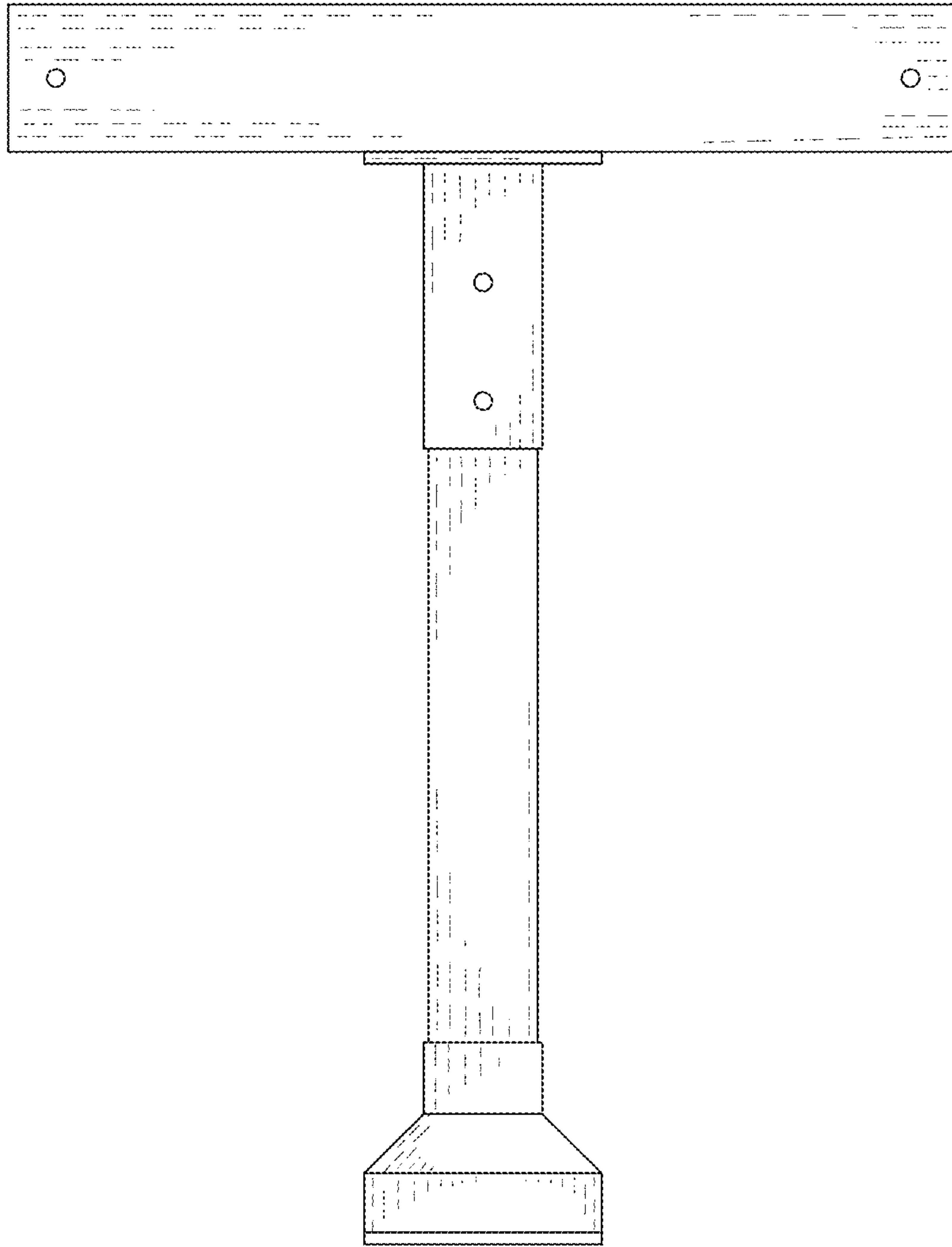


FIG. 3

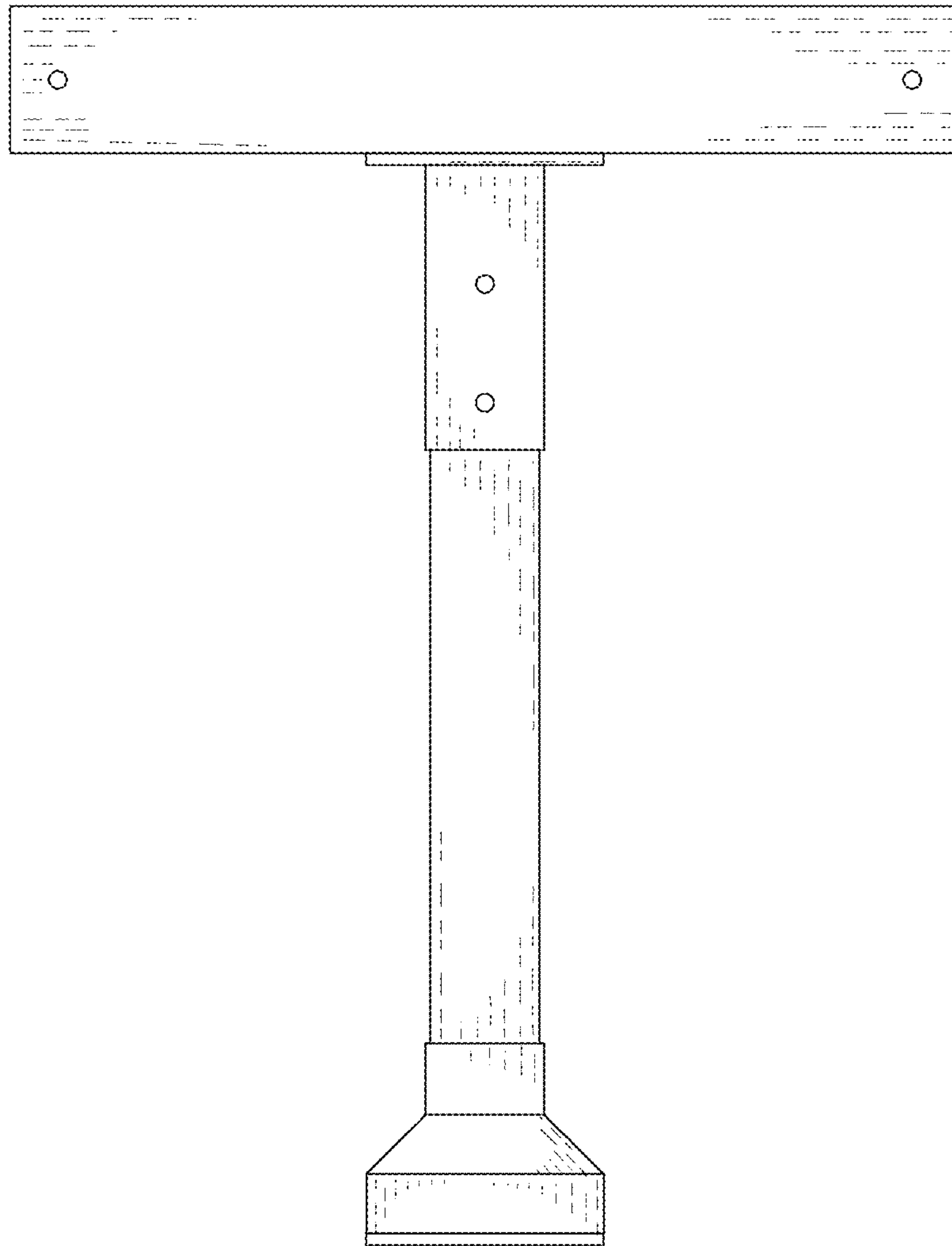


FIG. 4

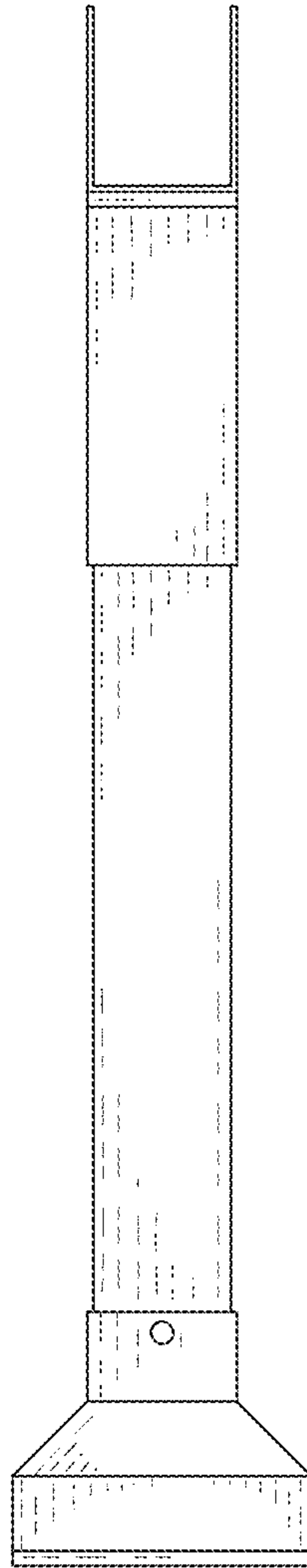


FIG. 5

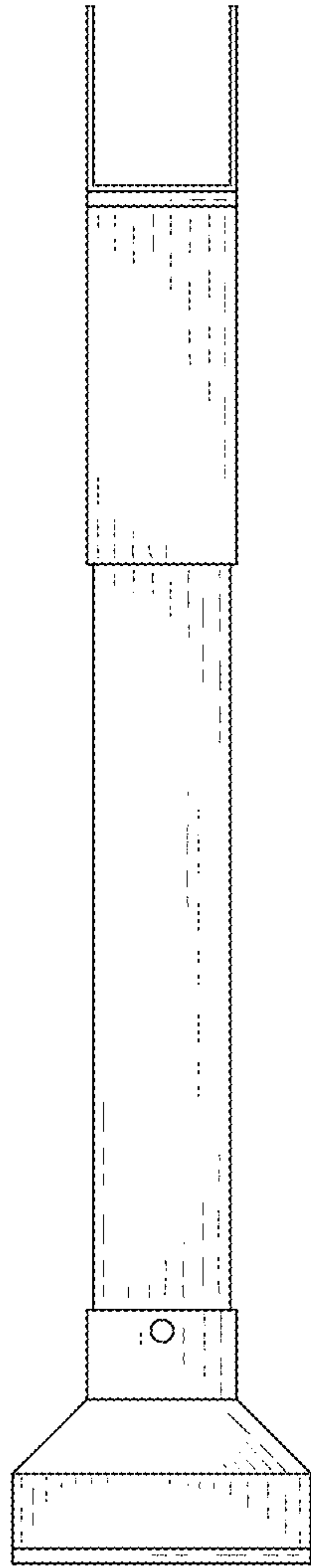


FIG. 6

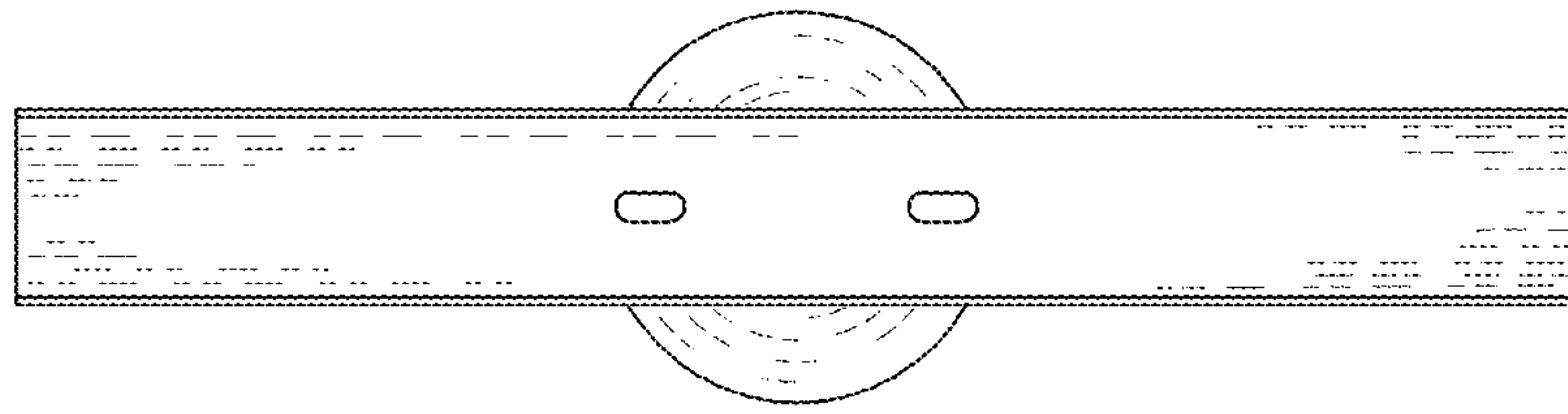


FIG. 7

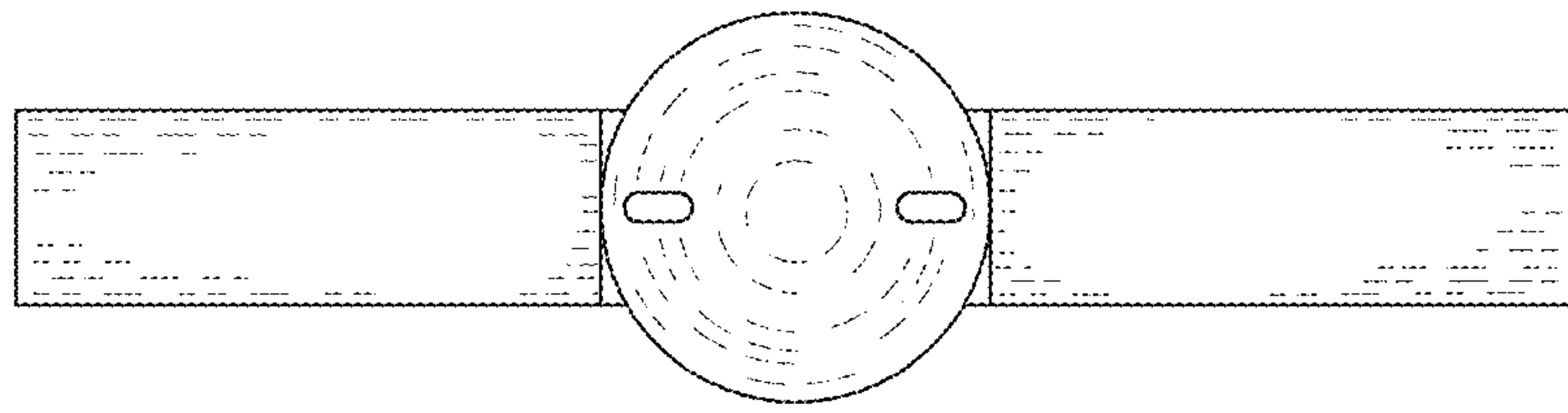


FIG. 8