

US00D790319S

(12) **United States Design Patent** (10) **Patent No.:** **US D790,319 S**
Schneider (45) **Date of Patent:** **** Jun. 27, 2017**

(54) **ELECTRONIC DOOR LOCK**

(71) Applicant: **Spectrum Brands, Inc.**, Middleton, WI (US)

(72) Inventor: **Elliott Schneider**, Foothill Ranch, CA (US)

(73) Assignee: **Spectrum Brands, Inc.**, Middleton, WI (US)

(**) Term: **15 Years**

(21) Appl. No.: **29/560,228**

(22) Filed: **Apr. 4, 2016**

(51) **LOC (10) Cl.** **08-07**

(52) **U.S. Cl.**
USPC **D8/331**

(58) **Field of Classification Search**
USPC D8/330, 331, 334, 300, 301, 350; 70/14, 70/20-22, 57, 57.1, 284-286, 314, 70/DIG. 44, 266, 277, 271
CPC E05B 9/00; E05B 9/02; E05B 2009/006; E05B 49/00
See application file for complete search history.

D553,953 S * 10/2007 Roberts D8/330
D579,312 S 10/2008 Veltz
D581,246 S * 11/2008 Conway D8/330
D588,439 S 3/2009 Lin et al.
7,698,917 B2 * 4/2010 Lie-Nielsen E05B 47/0676
292/142
D630,929 S 1/2011 Downey
D637,472 S 5/2011 Singtoroj et al.
D637,474 S 5/2011 Schneider et al.
D666,074 S 8/2012 Genord et al.
D677,145 S 3/2013 Hsieh et al.
D682,656 S * 5/2013 Cramer D8/331
D682,657 S 5/2013 Roberts, III
D682,658 S 5/2013 Cramer et al.
D684,842 S 6/2013 Chan et al.
8,490,445 B2 * 7/2013 Chiou E05B 47/0012
70/224
D687,786 S 8/2013 Chin et al.
D687,787 S 8/2013 Chin et al.

(Continued)

Primary Examiner — Prabhakar Deshmukh
(74) *Attorney, Agent, or Firm* — Banner & Witcoff, Ltd.

(57) **CLAIM**

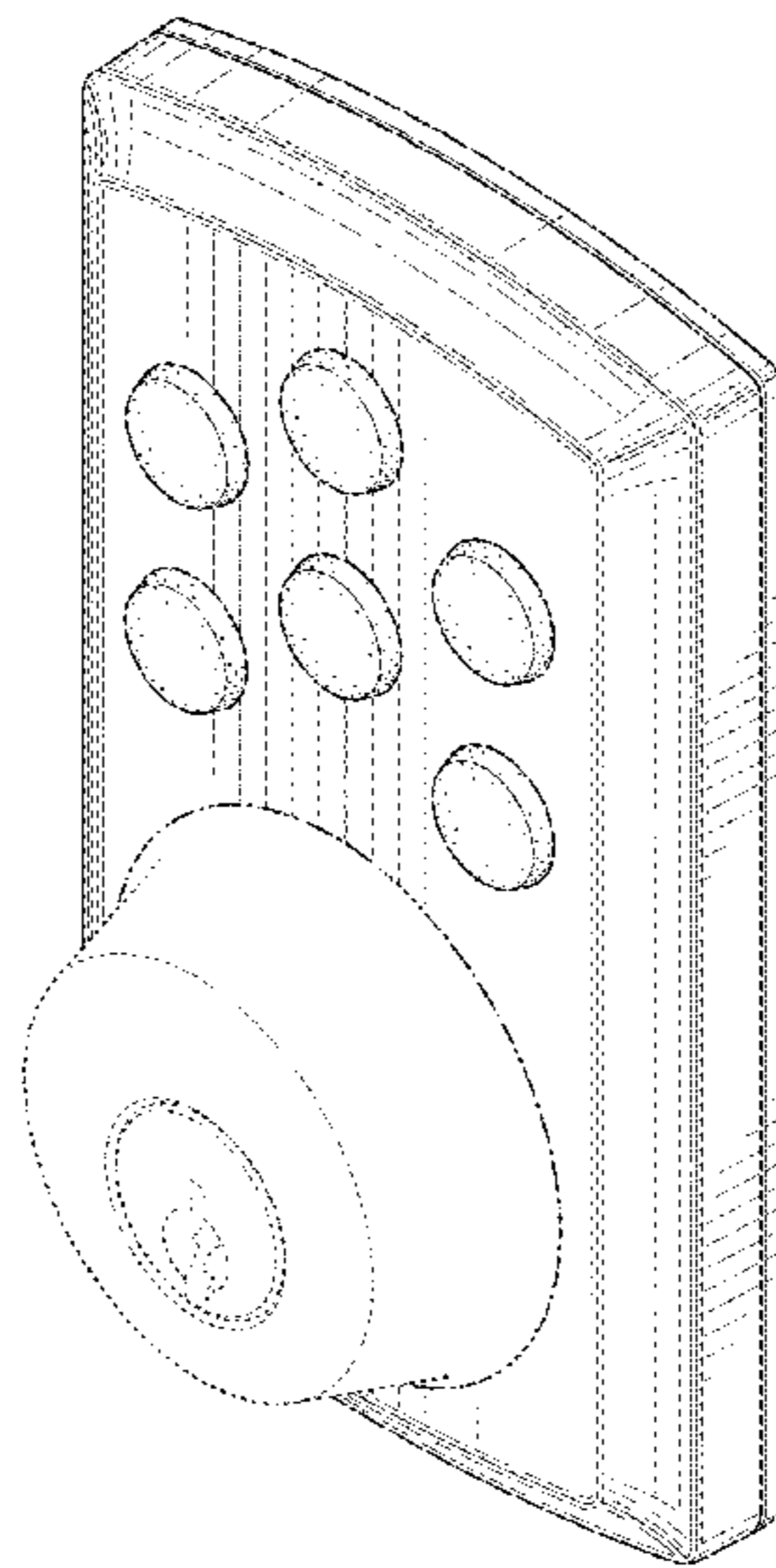
The ornamental design for an electronic door lock, as shown and described.

DESCRIPTION

FIG. 1 is a front perspective view of an electronic door lock showing my new design;
FIG. 2 is a front view thereof;
FIG. 3 is a right side view thereof;
FIG. 4 is a left side view thereof;
FIG. 5 is a top view thereof; and,
FIG. 6 is a bottom view thereof.
The circular uneven broken line at the base of the protruding lock represents an unclaimed boundary of the design. The broken line showing of the remainder of the circular protruding lock represents unclaimed subject matter and forms no part of the claimed design.

1 Claim, 4 Drawing Sheets

(56) **References Cited**
U.S. PATENT DOCUMENTS
D285,668 S 9/1986 Tanaka et al.
4,899,562 A * 2/1990 Gartner G07C 9/0069
70/277
5,113,675 A * 5/1992 Uyeda E05B 13/10
292/358
5,136,870 A * 8/1992 Gartner G07C 9/0069
70/277
D365,976 S 1/1996 Chiu
D401,565 S 11/1998 Smith et al.
D436,933 S 1/2001 Armstrong
D552,964 S 10/2007 Bogdanov et al.
D552,968 S 10/2007 Roberts et al.



(56)

References Cited

U.S. PATENT DOCUMENTS

D688,213 S	8/2013	Huang et al.	
D688,215 S	8/2013	Yu et al.	
D688,635 S	8/2013	Ni et al.	
D696,569 S	12/2013	Luo	
D698,222 S	1/2014	Guo	
D699,096 S	2/2014	Chan et al.	
D705,037 S	5/2014	Yang et al.	
D720,598 S	1/2015	Dayanikli et al.	
D722,260 S	2/2015	Warmenhoven et al.	
D729,610 S	5/2015	Gao et al.	
D732,372 S	6/2015	Gao et al.	
D733,522 S	7/2015	Kim et al.	
D735,016 S	7/2015	Kim et al.	
D736,590 S	8/2015	Roberts, III et al.	
D736,591 S	8/2015	Groleski et al.	
D737,117 S *	8/2015	Chan	D8/330
D737,118 S	8/2015	Chan et al.	
D737,657 S	9/2015	Nadgouda	
D737,661 S	9/2015	Chan	
D738,186 S	9/2015	Nadgouda	
D738,700 S	9/2015	Yan et al.	
D743,349 S	11/2015	Leeland et al.	
D746,165 S	12/2015	Li	
D747,640 S	1/2016	Scalisi	
D749,932 S	2/2016	Hollman	

* cited by examiner

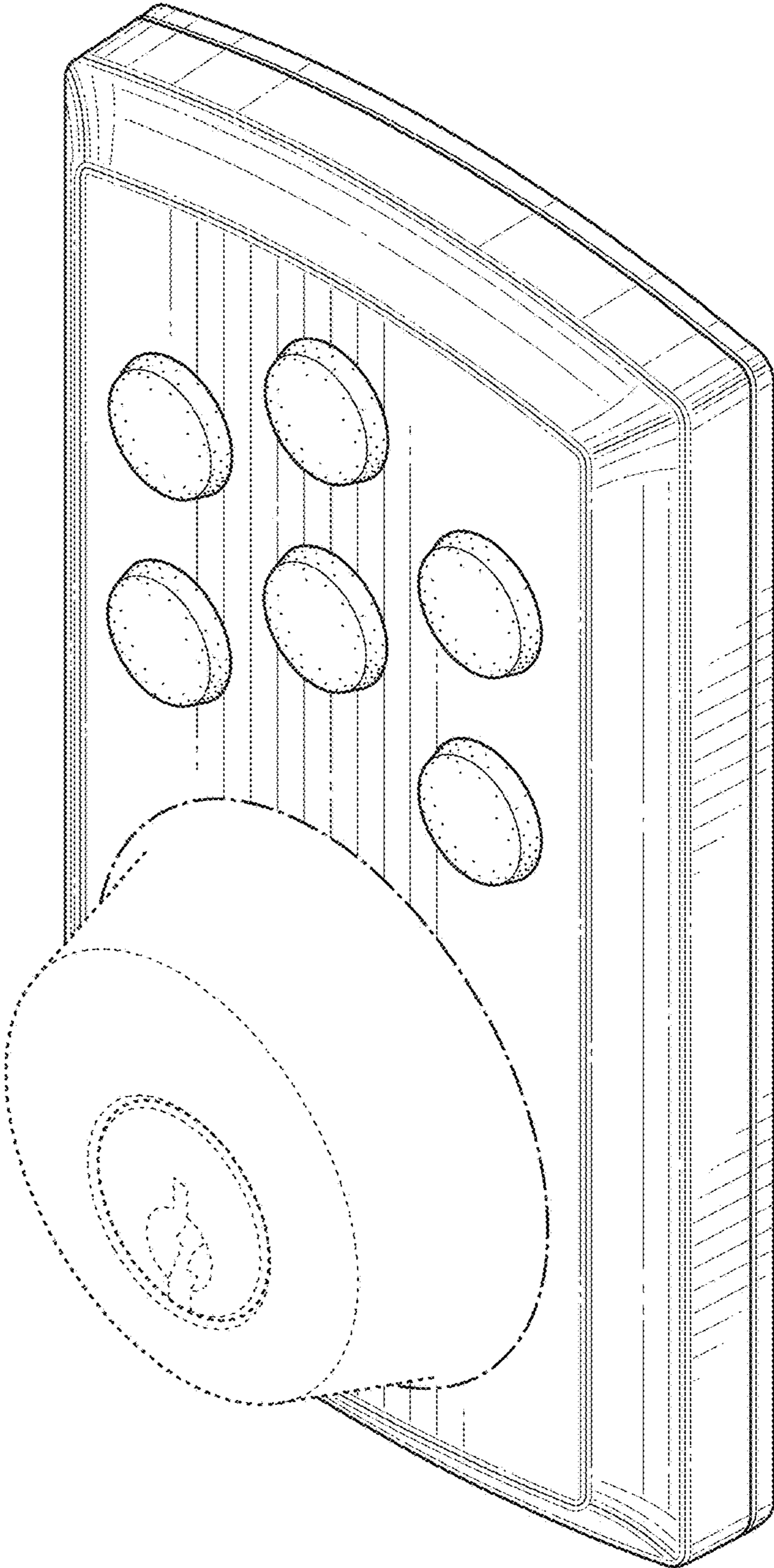


FIG. 1

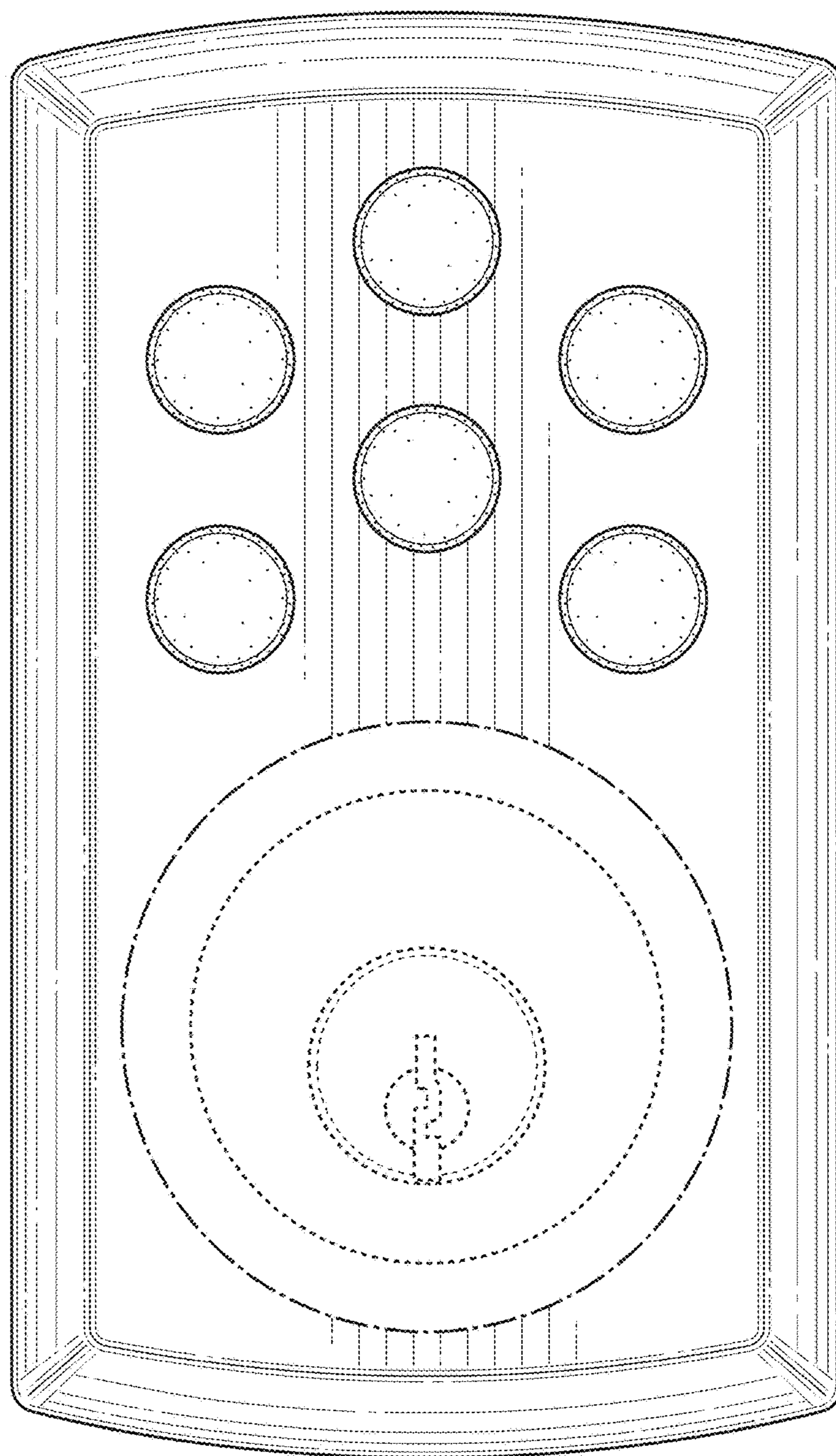


FIG. 2

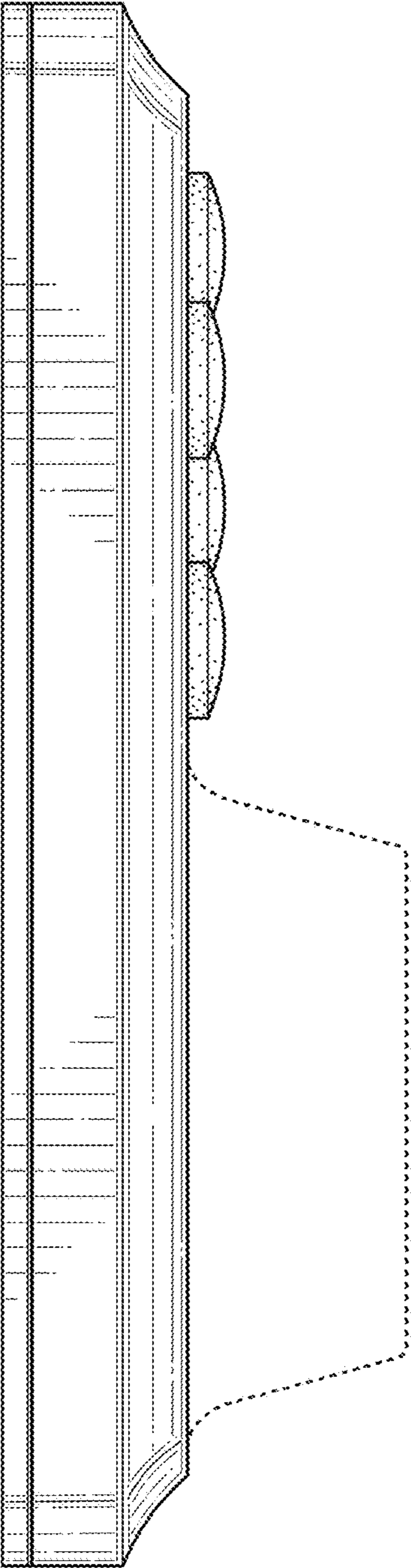


FIG. 3

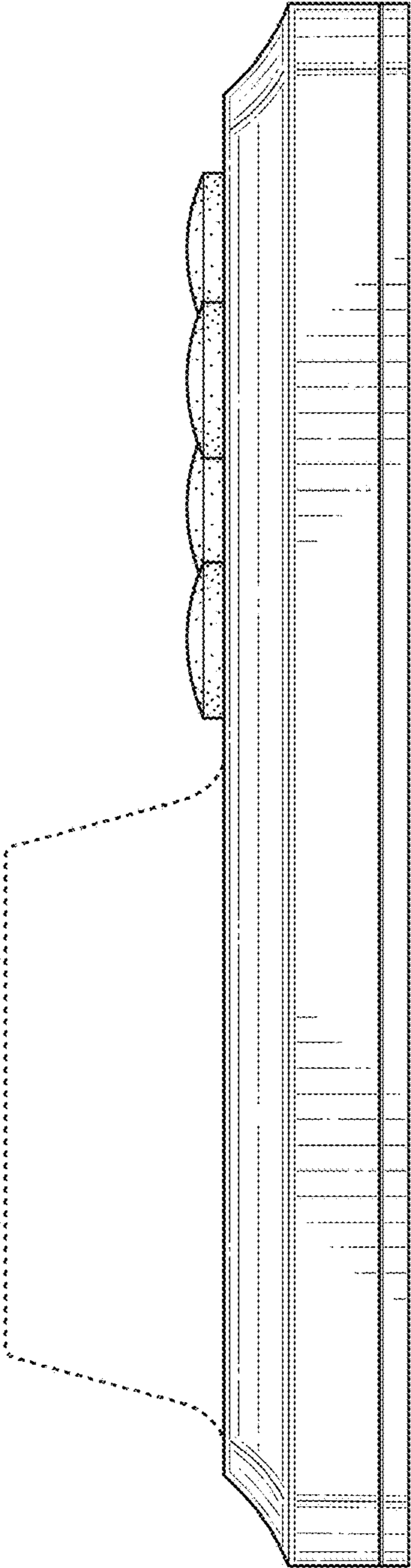


FIG. 4

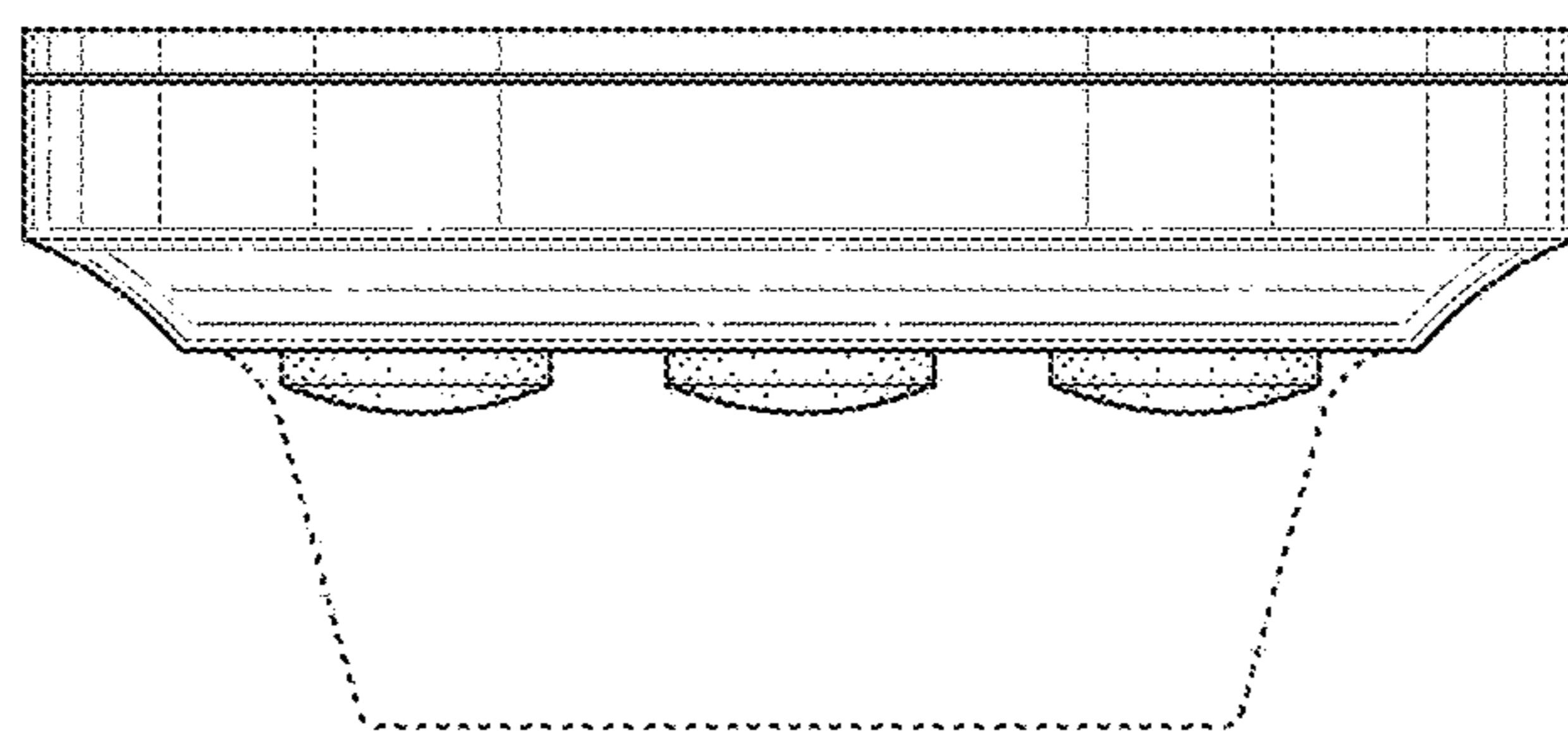


FIG. 5

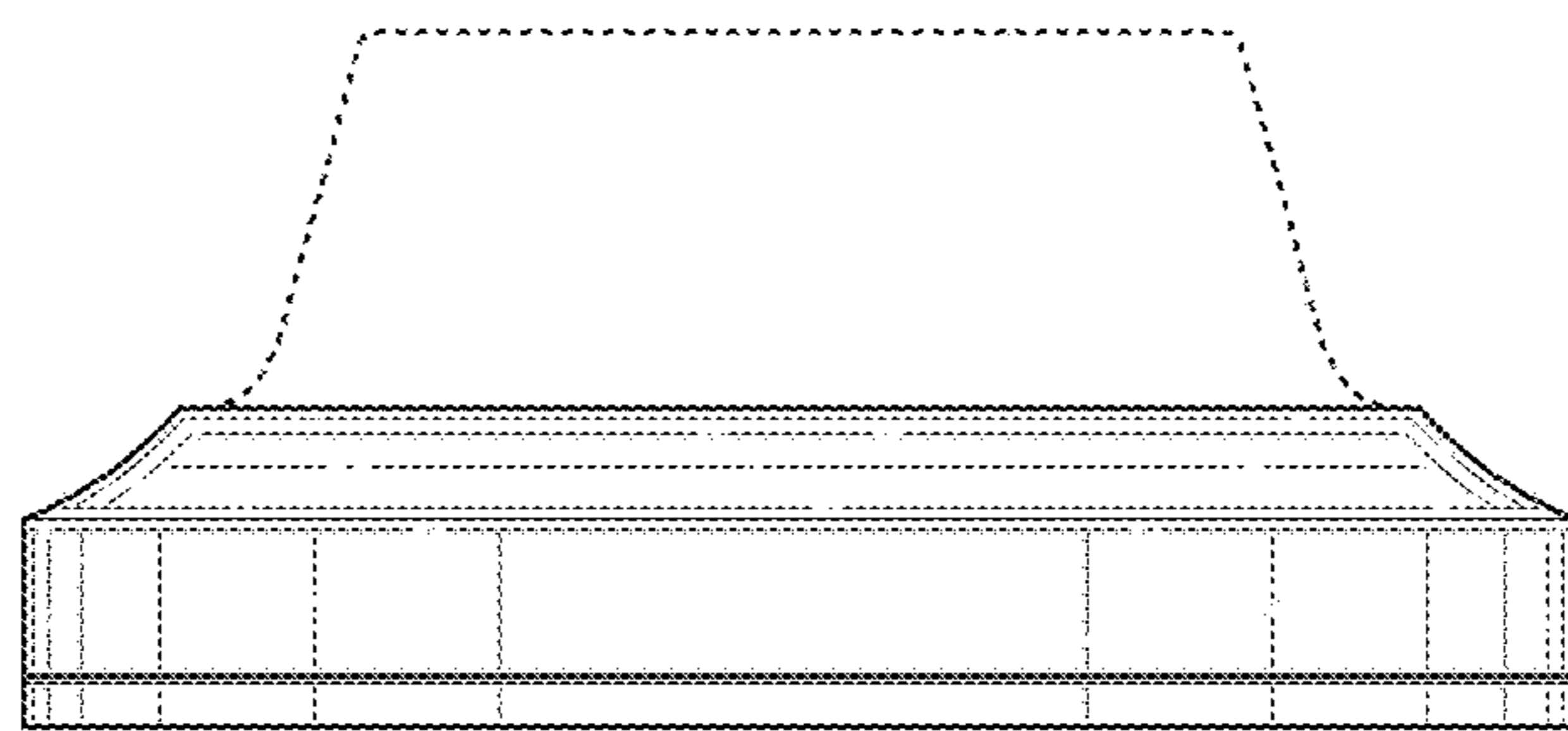


FIG. 6