



US00D790318S

(12) **United States Design Patent**
Hsu

(10) **Patent No.:** **US D790,318 S**
(45) **Date of Patent:** **** Jun. 27, 2017**

(54) **ELECTRONIC DOOR LOCK HAVING A DISPLAY SCREEN WITH GRAPHICAL USER INTERFACE**

(71) Applicant: **Spectrum Brands, Inc.**, Middleton, WI (US)

(72) Inventor: **Wei Hsu**, Lake Forest, CA (US)

(73) Assignee: **Spectrum Brands, Inc.**, Middleton, WI (US)

(**) Term: **15 Years**

(21) Appl. No.: **29/560,226**

(22) Filed: **Apr. 4, 2016**

(51) **LOC (10) Cl.** **08-07**

(52) **U.S. Cl.**
USPC **D8/330**; D8/334; D8/331; D8/343

(58) **Field of Classification Search**
USPC D8/330, 331, 336, 338, 339, 340, 343;
70/14, 2, 51, 57, 57.1, 91, 107, 141;
292/2, 32, 137, 288, 289, 290, 292
CPC G05B 19/00; G05B 15/00; E05B 49/00;
E05B 9/00; E05B 17/00; E05B 37/00
See application file for complete search history.

(56) **References Cited**

U.S. PATENT DOCUMENTS

D285,668 S	9/1986	Tanaka et al.	
D401,565 S	11/1998	Smith et al.	
6,016,955 A *	1/2000	De Rooij G06Q 20/04 235/379
D436,933 S	1/2001	Armstrong	
D495,578 S *	9/2004	Sampson D8/330
D512,898 S *	12/2005	Metivier D10/106.1
7,336,150 B2 *	2/2008	Gokcebay E05B 47/06 340/5.2
D669,757 S *	10/2012	Dent D8/330
8,490,443 B2 *	7/2013	Gokcebay G07C 9/00666 70/214

8,490,445 B2 *	7/2013	Chiou E05B 47/0012 70/224
D687,786 S	8/2013	Chin et al.	
D687,787 S	8/2013	Chin et al.	
D688,213 S	8/2013	Huang et al.	
D688,215 S	8/2013	Yu et al.	
D688,635 S	8/2013	Ni et al.	
D733,519 S *	7/2015	Gokcebay D8/330
D733,522 S	7/2015	Kim et al.	
D734,125 S *	7/2015	Kodama D8/330
D734,650 S *	7/2015	Kodama D8/330
D735,016 S	7/2015	Kim et al.	
D743,349 S	11/2015	Leeland et al.	
D746,165 S	12/2015	Li	
9,280,276 B2 *	3/2016	Hsieh G06F 3/0488

(Continued)

Primary Examiner — Prabhakar Deshmukh

(74) *Attorney, Agent, or Firm* — Banner & Witcoff, Ltd.

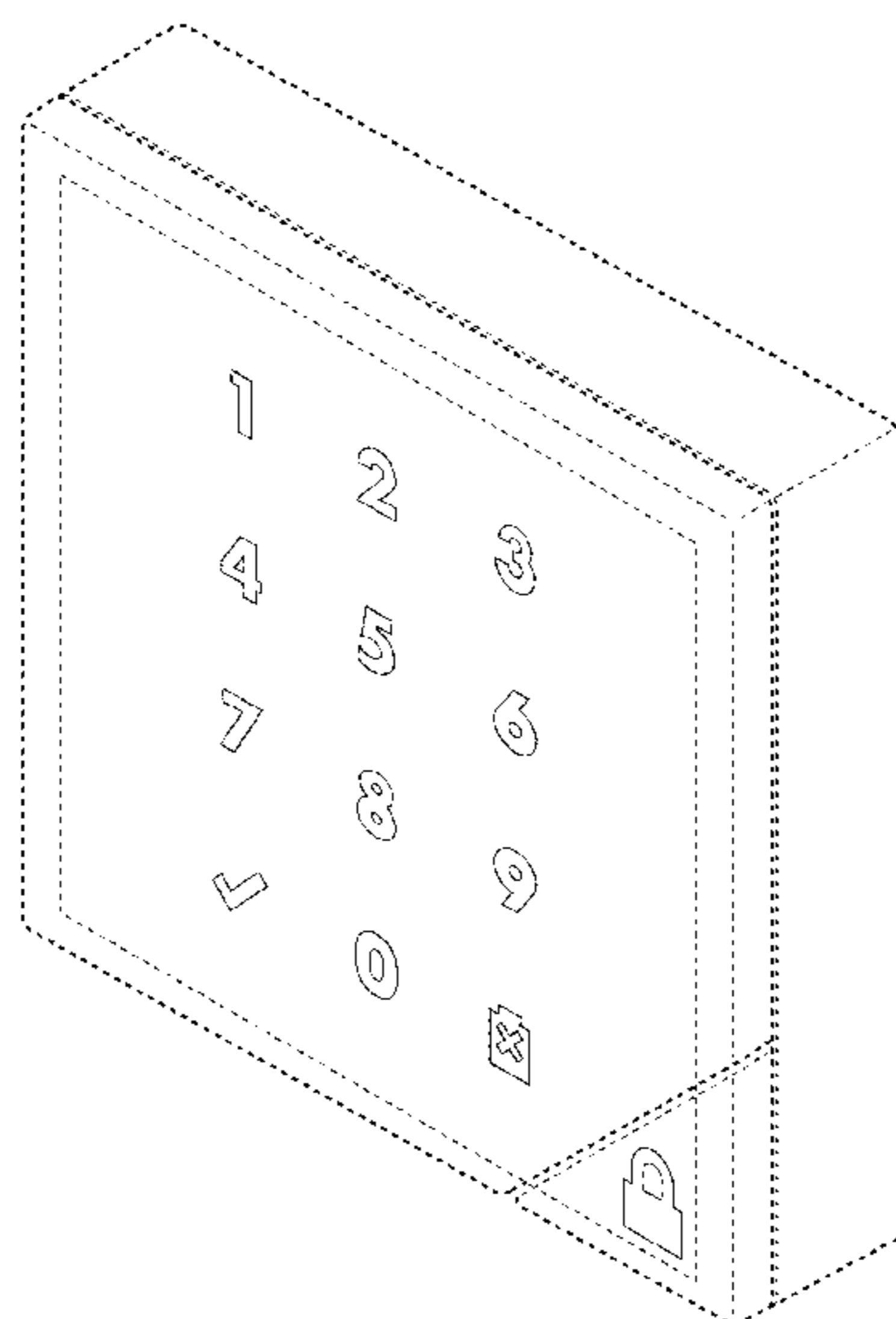
(57) **CLAIM**

The ornamental design for an electronic door lock having a display screen with graphical user interface, as shown and described.

DESCRIPTION

FIG. 1 is a front perspective view of an electronic door lock having a display screen with graphical user interface showing my new design;
FIG. 2 is a front view thereof;
FIG. 3 is a right side view thereof;
FIG. 4 is a left side view thereof;
FIG. 5 is a top view thereof; and,
FIG. 6 is a bottom view thereof.
The broken line surrounding the graphical user interface represents an unclaimed boundary of the design. The broken line showing of the diagonal gap adjacent to the lower right corner of the electronic door lock and the remainder of the electronic door lock represents unclaimed subject matter and forms no part of the claimed design.

1 Claim, 4 Drawing Sheets



(56)

References Cited

U.S. PATENT DOCUMENTS

9,382,729 B2 * 7/2016 Ellis E05B 65/104
D772,691 S * 11/2016 Han D8/330

* cited by examiner

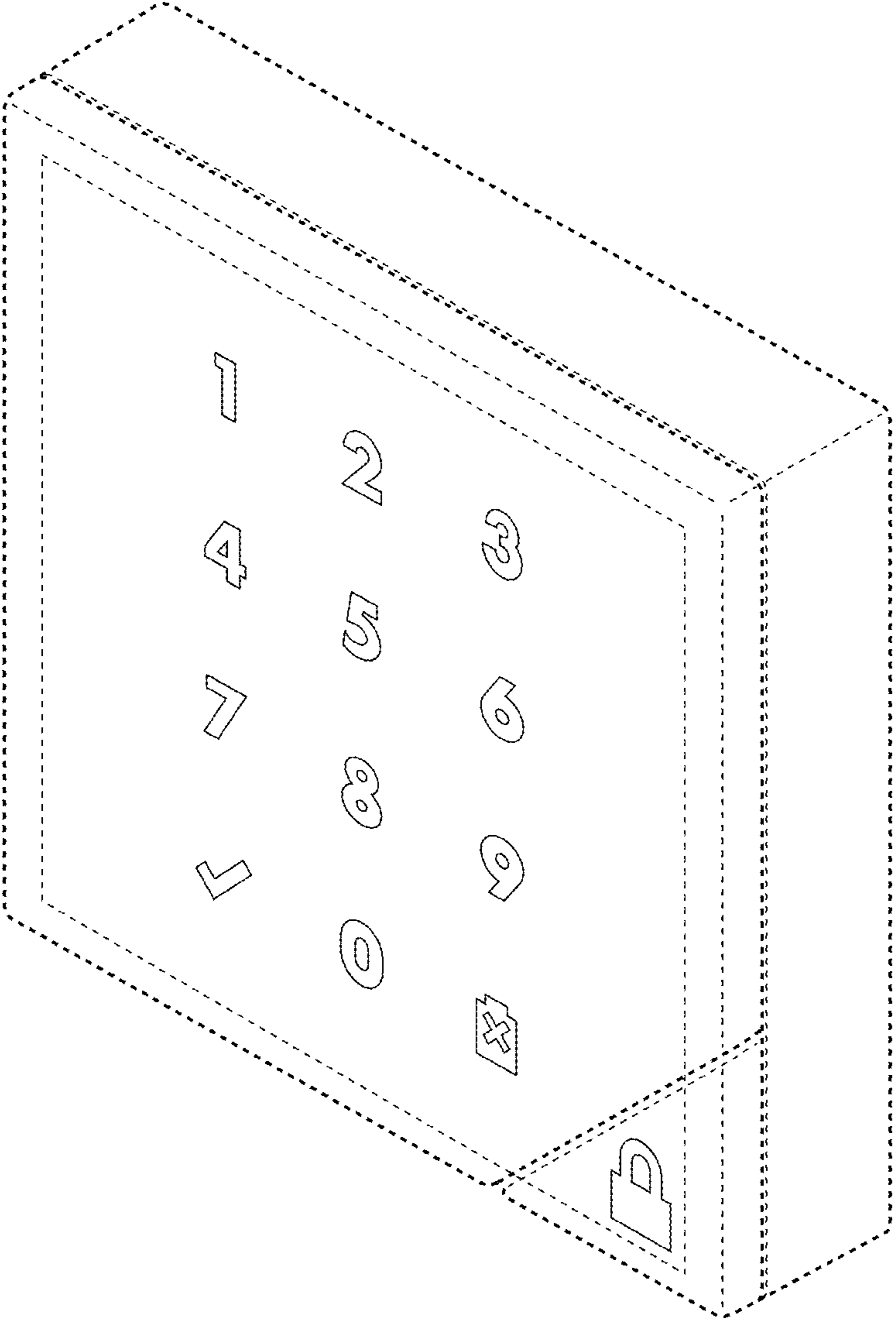


FIG. 1

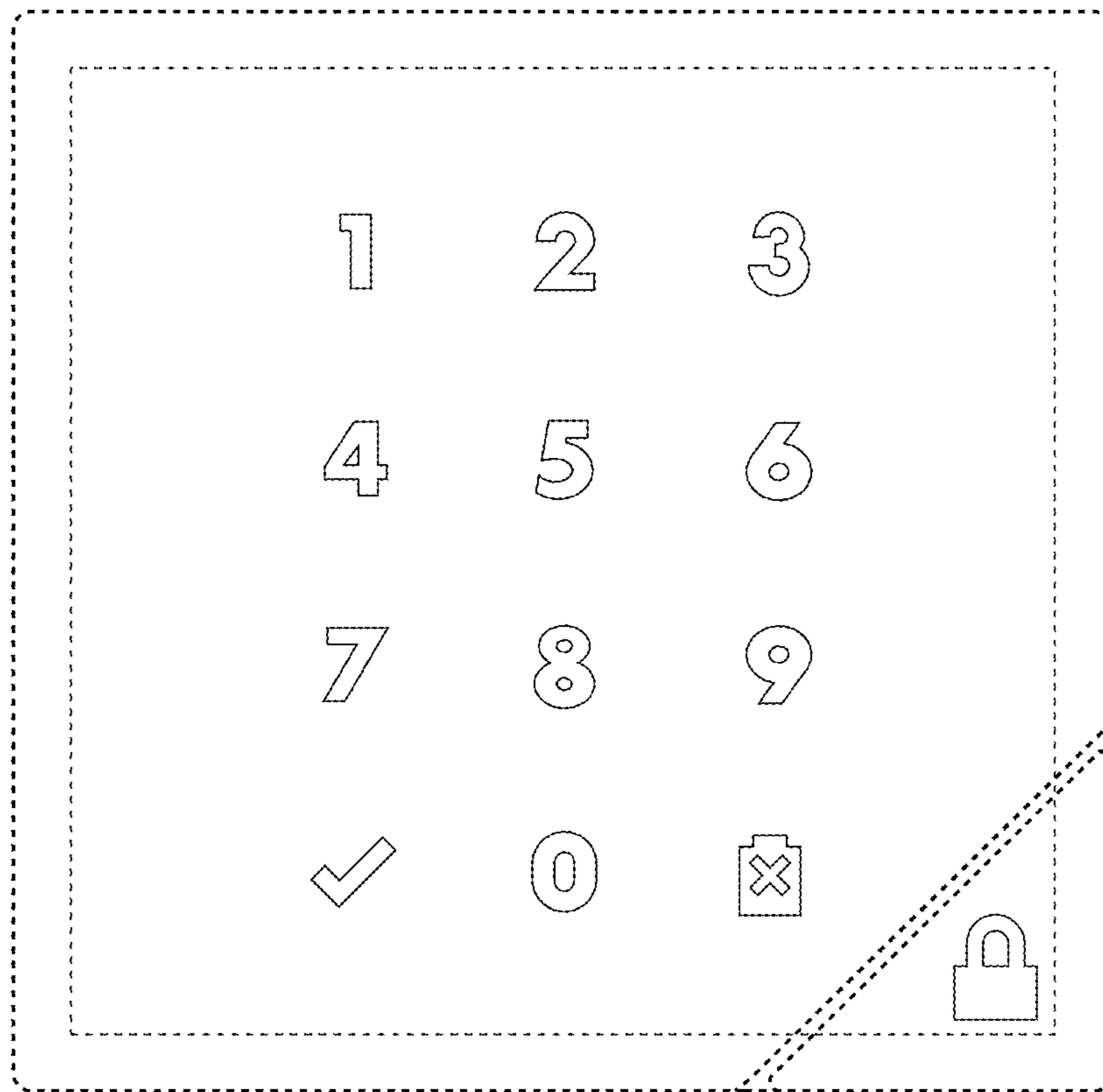


FIG. 2

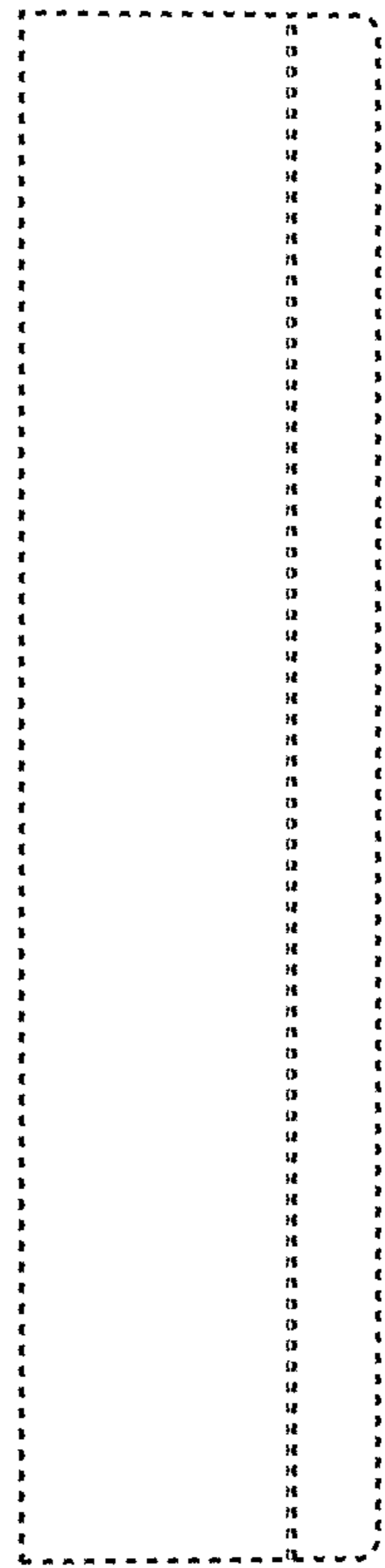


FIG. 3

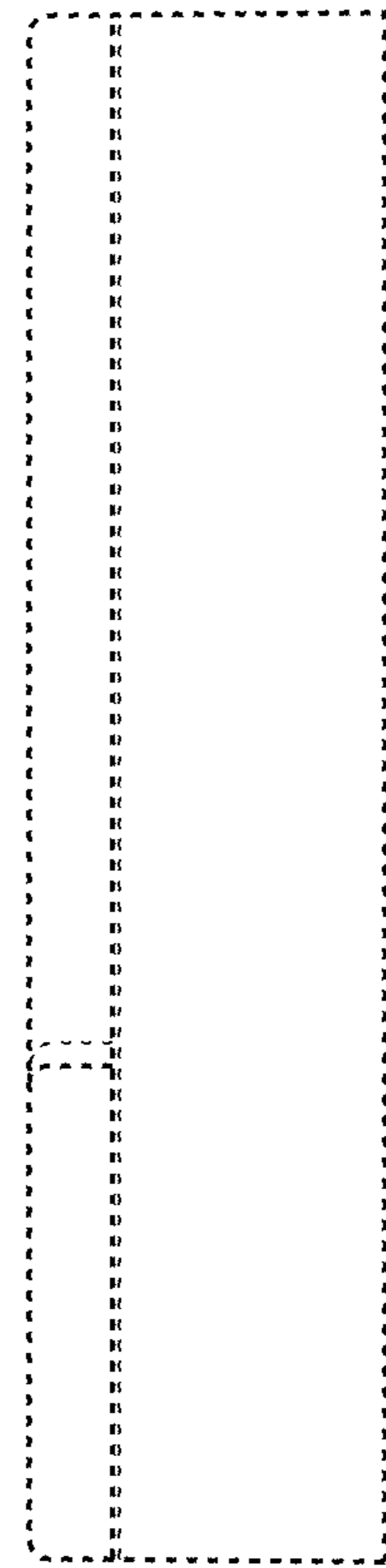


FIG. 4



FIG. 5

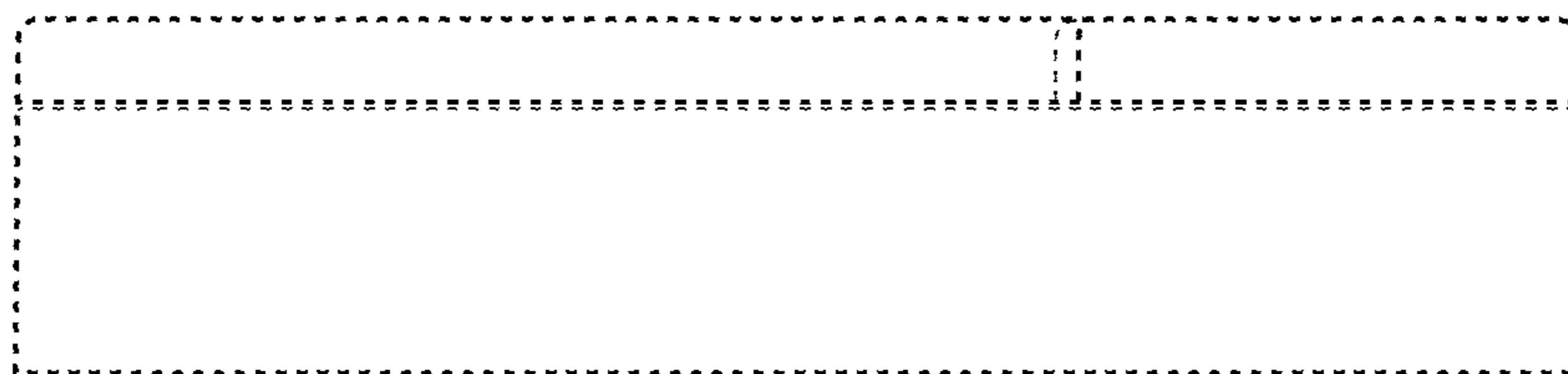


FIG. 6