

US00D790317S

(12) **United States Design Patent** (10) **Patent No.:** **US D790,317 S**  
**Christensen et al.** (45) **Date of Patent:** **\*\* Jun. 27, 2017**

(54) **HINGE**

(71) Applicant: **A & K HINGES, LLC**, Salt Lake City, UT (US)

(72) Inventors: **Jason F. Christensen**, South Jordan, UT (US); **Brent B. Osborne**, Salt Lake City, UT (US)

(73) Assignee: **A & K Hinges, LLC**, Salt Lake City, UT (US)

(\*\*) Term: **15 Years**

(21) Appl. No.: **29/533,717**

(22) Filed: **Jul. 21, 2015**

(51) **LOC (10) Cl.** ..... **08-06**

(52) **U.S. Cl.**  
USPC ..... **D8/323**

(58) **Field of Classification Search**  
USPC ..... D8/323, 328; 16/387  
CPC .. E05D 1/00; E05D 11/06; E05D 5/10; E05D 3/02; A47K 13/12  
See application file for complete search history.

(56) **References Cited**

U.S. PATENT DOCUMENTS

1,620,701 A 3/1927 Teich  
2,488,688 A 11/1949 Simmons  
2,803,850 A 8/1957 Hooper  
2,930,075 A \* 3/1960 Deutchman ..... E05D 11/06  
16/375  
3,538,539 A \* 11/1970 Dale ..... E05D 11/06  
16/375  
3,965,533 A 6/1976 Frohlich  
5,173,993 A 12/1992 Baker  
D376,971 S 12/1996 Schutz  
5,765,263 A 6/1998 Bolinas  
6,212,734 B1 4/2001 Commons  
6,353,967 B1 3/2002 Escobar  
6,591,453 B2 \* 7/2003 Jenks ..... E05D 11/1007  
16/329  
7,000,290 B1 \* 2/2006 Ace ..... E05D 5/10  
16/229

7,162,774 B1 1/2007 Von Resch  
7,328,480 B2 2/2008 Schoemann  
D584,130 S 1/2009 Bertani  
7,676,887 B2 3/2010 Chung  
D622,576 S 8/2010 Farkas  
7,861,374 B2 1/2011 Verdicchio  
7,891,055 B1 \* 2/2011 Combs ..... E05D 11/00  
16/341  
D636,251 S 4/2011 Herglotz  
D644,499 S 9/2011 Herglotz  
8,307,513 B1 11/2012 Fitzgerald  
8,707,518 B2 \* 4/2014 Branning ..... E05D 11/00  
16/273  
8,739,366 B2 \* 6/2014 Heninger ..... E05D 5/10  
16/374  
D710,181 S \* 8/2014 Christensen ..... D8/323  
D726,525 S \* 4/2015 Kenerly ..... D8/328  
9,416,572 B2 \* 8/2016 Tolliver ..... E05D 5/10  
2007/0067959 A1 \* 3/2007 Smith ..... E05D 11/06  
16/375  
2013/0104341 A1 \* 5/2013 Kenerly ..... E05D 3/02  
16/273  
2016/0160545 A1 \* 6/2016 Tolliver ..... E05D 5/10  
16/374

\* cited by examiner

Primary Examiner — Cynthia Underwood

(74) Attorney, Agent, or Firm — Workman Nydegger

(57) **CLAIM**

The ornamental design for a hinge, as shown and described.

**DESCRIPTION**

FIG. 1 is a first perspective view of a hinge according to the present invention;  
FIG. 2 is a second, opposite perspective view of the hinge of FIG. 1;  
FIG. 3 is a front view of the hinge of FIG. 2;  
FIG. 4 is a back view of the hinge of FIG. 2;  
FIG. 5 is a first side view of the hinge of FIG. 2;  
FIG. 6 is a second, opposite side view of the hinge of FIG. 2;  
FIG. 7 is a top view of the hinge of FIG. 2;  
FIG. 8 is a bottom view of the hinge of FIG. 2;  
FIG. 9 is an similar perspective view to that shown in FIG. 1, but in which the hinge is closed;

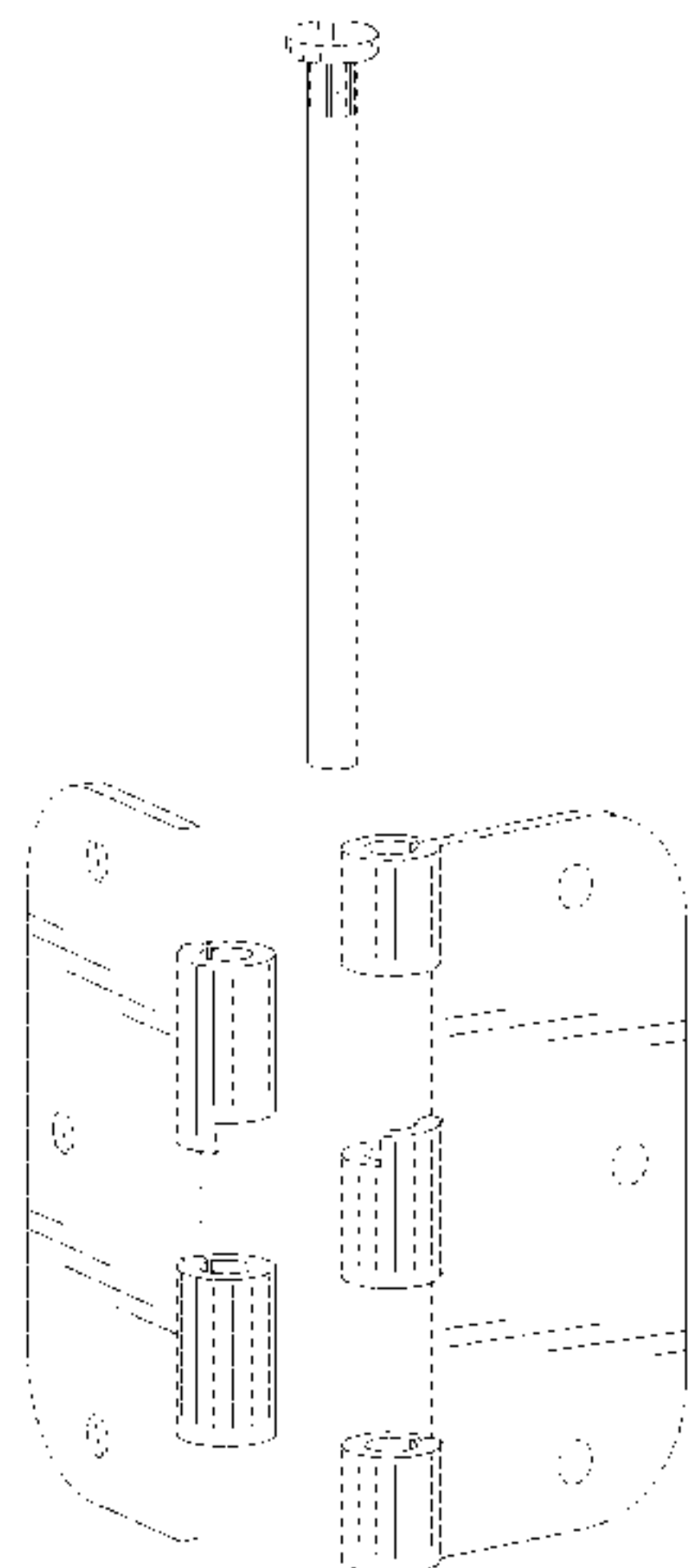
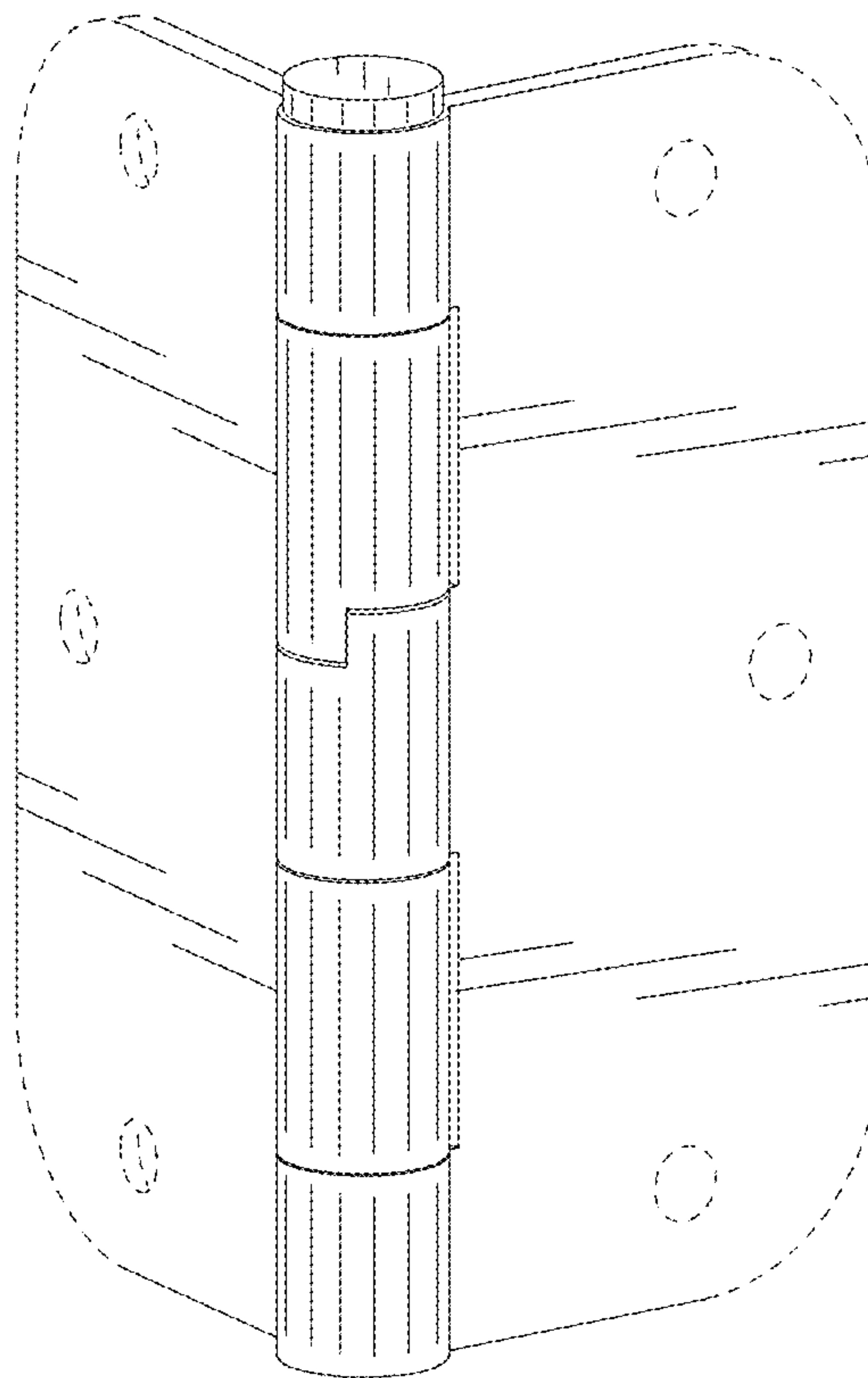


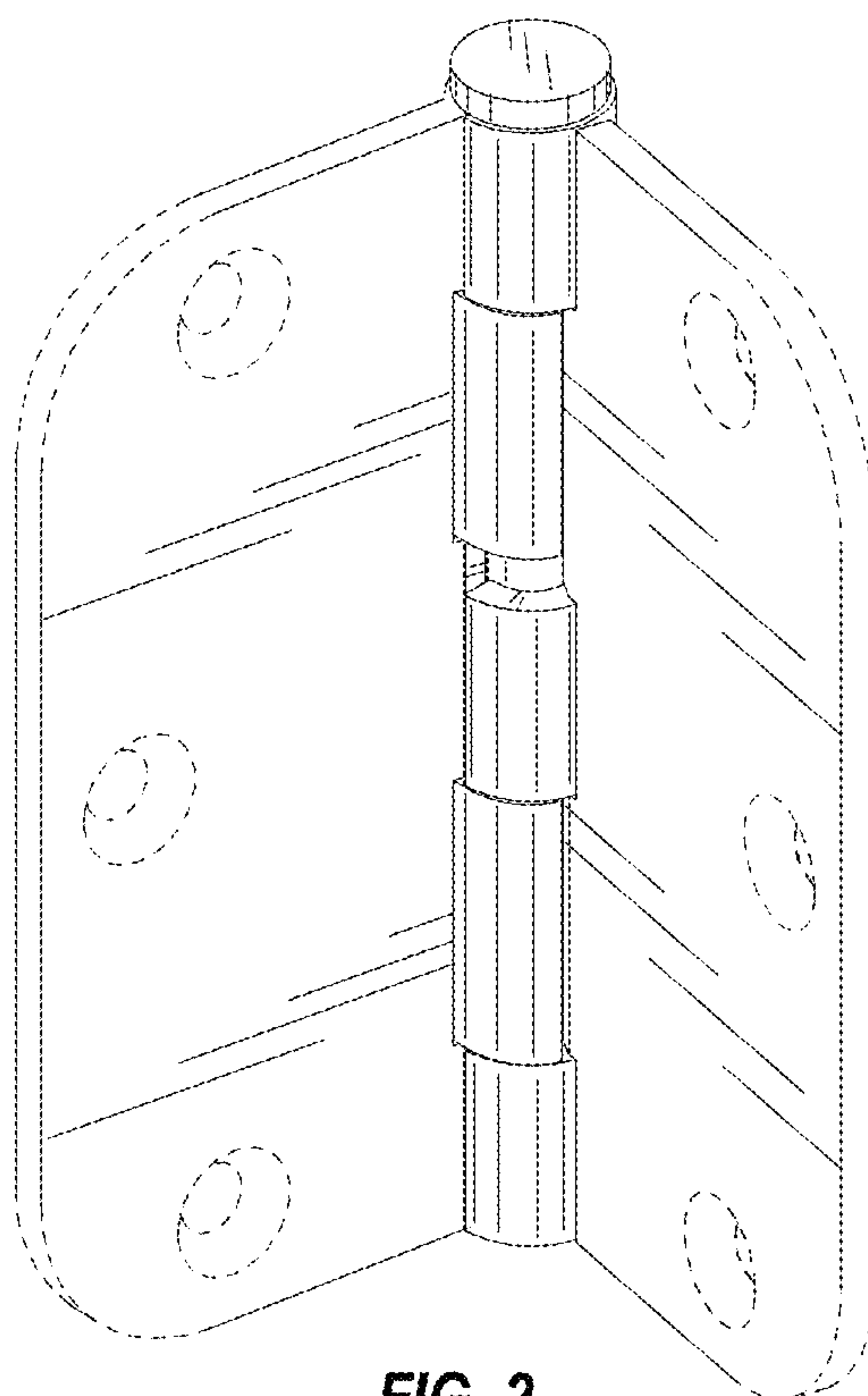
FIG. 10 is an exploded perspective view of the hinge of FIG. 1;  
 FIG. 11 is a first perspective view of a second embodiment of a hinge according to the present invention;  
 FIG. 12 is a second, opposite perspective view of the hinge of FIG. 11;  
 FIG. 13 is a front view of the hinge of FIG. 12;  
 FIG. 14 is a back view of the hinge of FIG. 12;  
 FIG. 15 is a first side view of the hinge of FIG. 12;  
 FIG. 16 is a second, opposite side view of the hinge of FIG. 12;  
 FIG. 17 is a top view of the hinge of FIG. 12;  
 FIG. 18 is a bottom view of the hinge of FIG. 12;  
 FIG. 19 is an similar perspective view to that shown in FIG. 11, but in which the hinge is closed;  
 FIG. 20 is an exploded perspective view of the hinge of FIG. 11;  
 FIG. 21 is a first perspective view of a third embodiment of a hinge according to the present invention;  
 FIG. 22 is a second, opposite perspective view of the hinge of FIG. 21;  
 FIG. 23 is a front view of the hinge of FIG. 22;  
 FIG. 24 is a back view of the hinge of FIG. 22;  
 FIG. 25 is a first side view of the hinge of FIG. 22;  
 FIG. 26 is a second, opposite side view of the hinge of FIG. 22;  
 FIG. 27 is a top view of the hinge of FIG. 22;  
 FIG. 28 is a bottom view of the hinge of FIG. 22;  
 FIG. 29 is an similar perspective view to that shown in FIG. 21, but in which the hinge is closed;  
 FIG. 30 is an exploded perspective view of the hinge of FIG. 21;  
 FIG. 31 is a first perspective view of a fourth embodiment of a hinge according to the present invention;  
 FIG. 32 is a second, opposite perspective view of the hinge of FIG. 31;  
 FIG. 33 is a front view of the hinge of FIG. 32;  
 FIG. 34 is a back view of the hinge of FIG. 32;  
 FIG. 35 is a first side view of the hinge of FIG. 32;  
 FIG. 36 is a second, opposite side view of the hinge of FIG. 32;  
 FIG. 37 is a top view of the hinge of FIG. 32;  
 FIG. 38 is a bottom view of the hinge of FIG. 32;  
 FIG. 39 is an similar perspective view to that shown in FIG. 31, but in which the hinge is closed;  
 FIG. 40 is an exploded perspective view of the hinge of FIG. 31;  
 FIG. 41 is a first perspective view of a fifth embodiment of a hinge according to the present invention;  
 FIG. 42 is a second, opposite perspective view of the hinge of FIG. 41;  
 FIG. 43 is a front view of the hinge of FIG. 42;  
 FIG. 44 is a back view of the hinge of FIG. 42;  
 FIG. 45 is a first side view of the hinge of FIG. 42;  
 FIG. 46 is a second, opposite side view of the hinge of FIG. 42;  
 FIG. 47 is a top view of the hinge of FIG. 42;  
 FIG. 48 is a bottom view of the hinge of FIG. 42;  
 FIG. 49 is an similar perspective view to that shown in FIG. 41, but in which the hinge is closed;  
 FIG. 50 is an exploded perspective view of the hinge of FIG. 41;  
 FIG. 51 is a first perspective view of a sixth embodiment of a hinge according to the present invention;

FIG. 52 is a second, opposite perspective view of the hinge of FIG. 51;  
 FIG. 53 is a front view of the hinge of FIG. 52;  
 FIG. 54 is a back view of the hinge of FIG. 52;  
 FIG. 55 is a first side view of the hinge of FIG. 52;  
 FIG. 56 is a second, opposite side view of the hinge of FIG. 52;  
 FIG. 57 is a top view of the hinge of FIG. 52;  
 FIG. 58 is a bottom view of the hinge of FIG. 52;  
 FIG. 59 is an similar perspective view to that shown in FIG. 51, but in which the hinge is closed;  
 FIG. 60 is an exploded perspective view of the hinge of FIG. 51;  
 FIG. 61 is a first perspective view of a seventh embodiment of a hinge according to the present invention;  
 FIG. 62 is a second, opposite perspective view of the hinge of FIG. 61;  
 FIG. 63 is a front view of the hinge of FIG. 62;  
 FIG. 64 is a back view of the hinge of FIG. 62;  
 FIG. 65 is a first side view of the hinge of FIG. 62;  
 FIG. 66 is a second, opposite side view of the hinge of FIG. 62;  
 FIG. 67 is a top view of the hinge of FIG. 62;  
 FIG. 68 is a bottom view of the hinge of FIG. 62;  
 FIG. 69 is an similar perspective view to that shown in FIG. 62, but in which the hinge is closed;  
 FIG. 70 is an exploded perspective view of the hinge of FIG. 62;  
 FIG. 71 is a first perspective view of an eighth embodiment of a hinge according to the present invention;  
 FIG. 72 is a second, opposite perspective view of the hinge of FIG. 71;  
 FIG. 73 is a front view of the hinge of FIG. 72;  
 FIG. 74 is a back view of the hinge of FIG. 72;  
 FIG. 75 is a first side view of the hinge of FIG. 72;  
 FIG. 76 is a second, opposite side view of the hinge of FIG. 72;  
 FIG. 77 is a top view of the hinge of FIG. 72;  
 FIG. 78 is a bottom view of the hinge of FIG. 72;  
 FIG. 79 is an similar perspective view to that shown in FIG. 71, but in which the hinge is closed;  
 FIG. 80 is an exploded perspective view of the hinge of FIG. 71;  
 FIG. 81 is a first perspective view of a ninth embodiment of a hinge according to the present invention;  
 FIG. 82 is a second, opposite perspective view of the hinge of FIG. 81;  
 FIG. 83 is a front view of the hinge of FIG. 82;  
 FIG. 84 is a back view of the hinge of FIG. 82;  
 FIG. 85 is a first side view of the hinge of FIG. 82;  
 FIG. 86 is a second, opposite side view of the hinge of FIG. 82;  
 FIG. 87 is a top view of the hinge of FIG. 82;  
 FIG. 88 is a bottom view of the hinge of FIG. 82;  
 FIG. 89 is an similar perspective view to that shown in FIG. 81, but in which the hinge is closed; and,  
 FIG. 90 is an exploded perspective view of the hinge of FIG. 81.  
 The broken lines shown are directed to environmental structure and are for illustrative purposes only. The broken lines form no part of the claimed design.

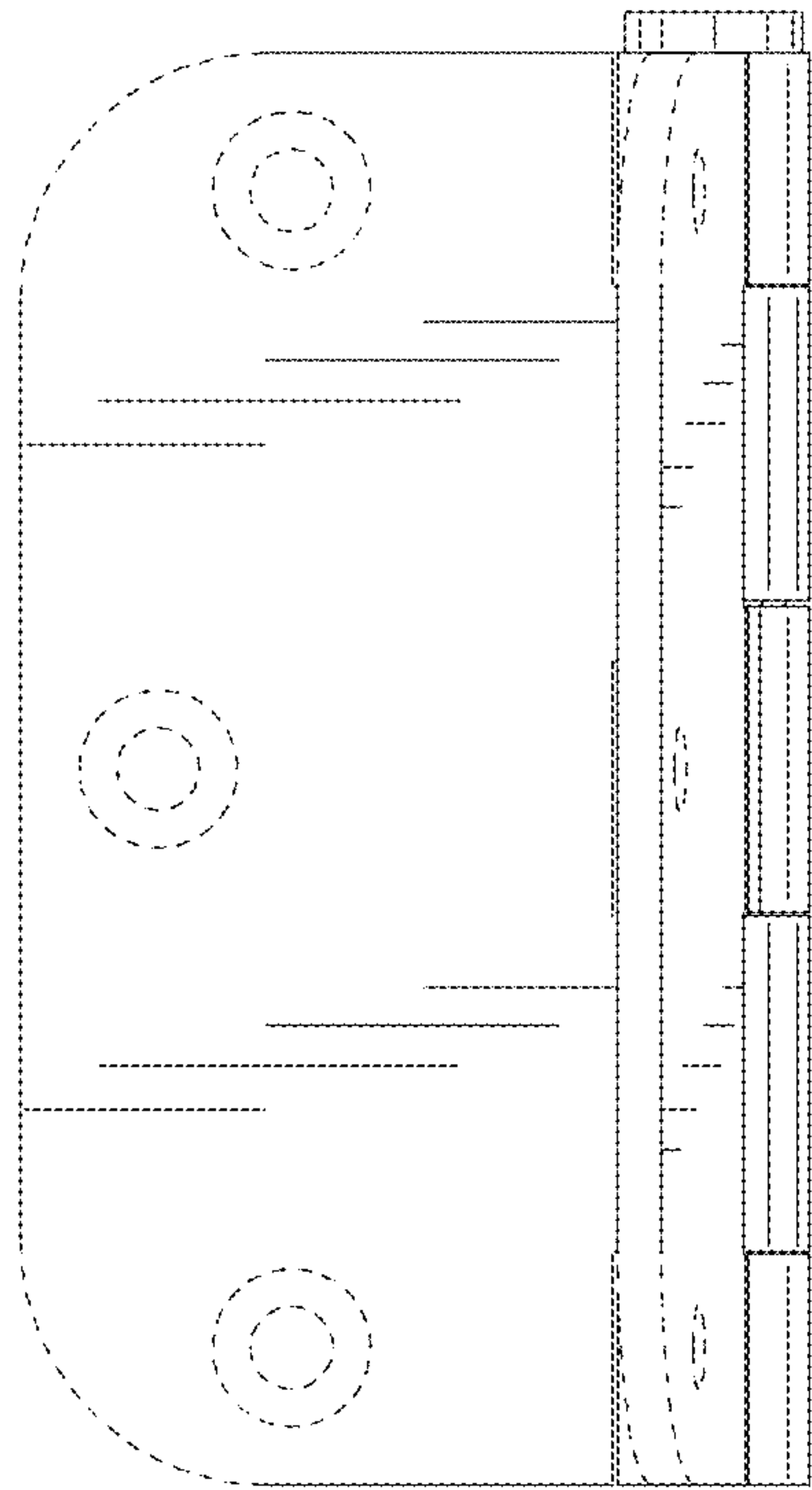




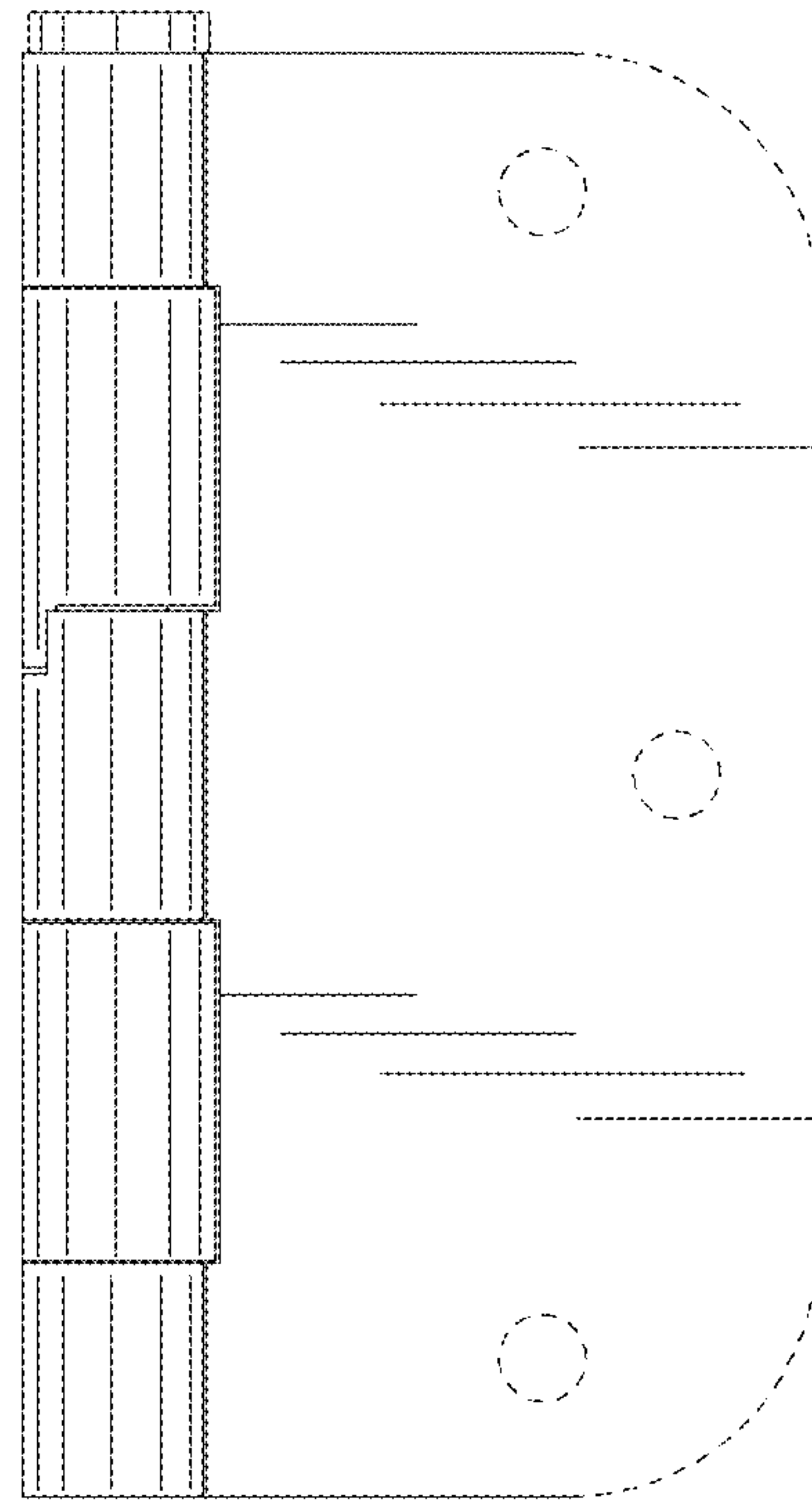
**FIG. 1**



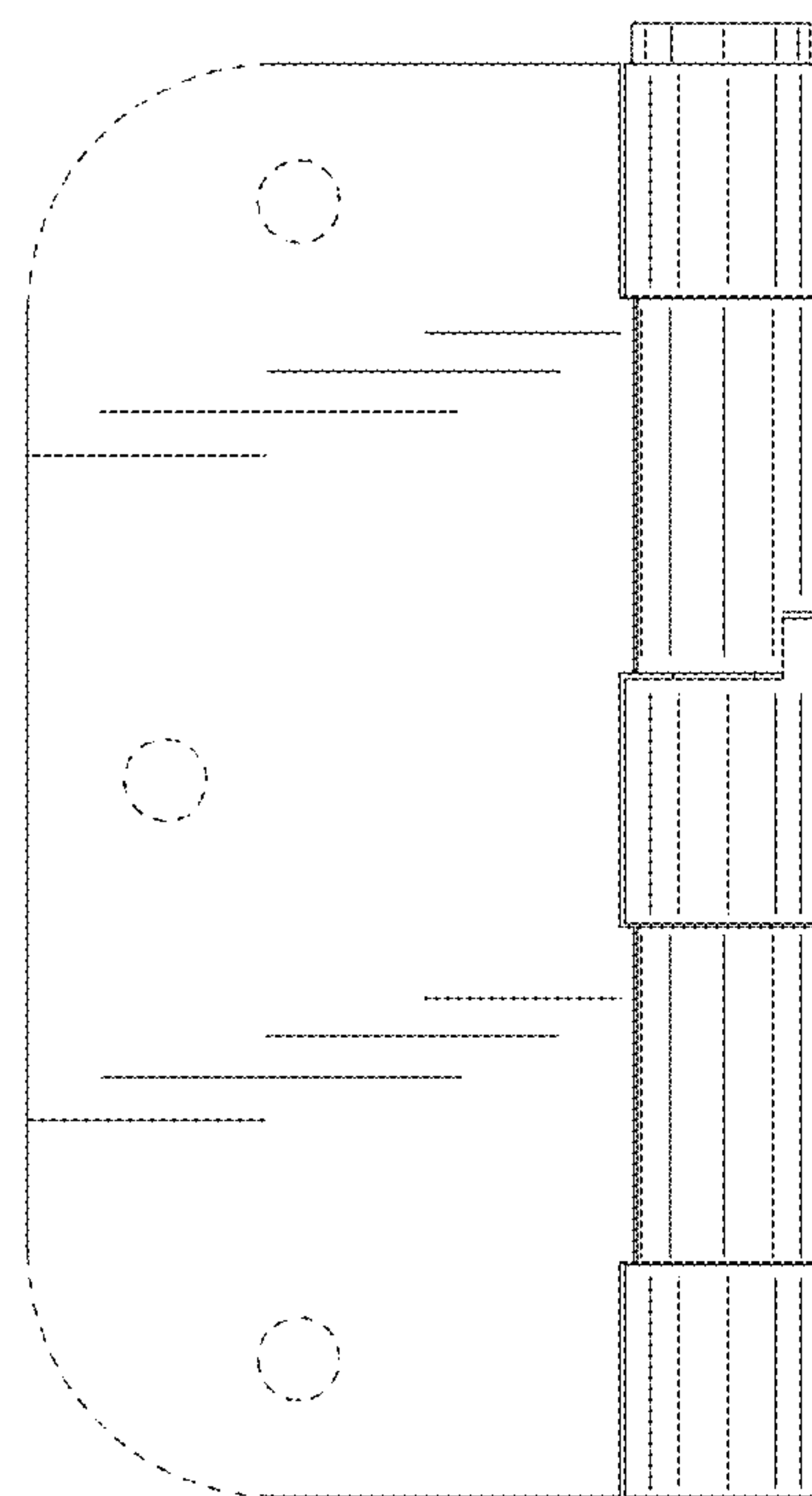
**FIG. 2**



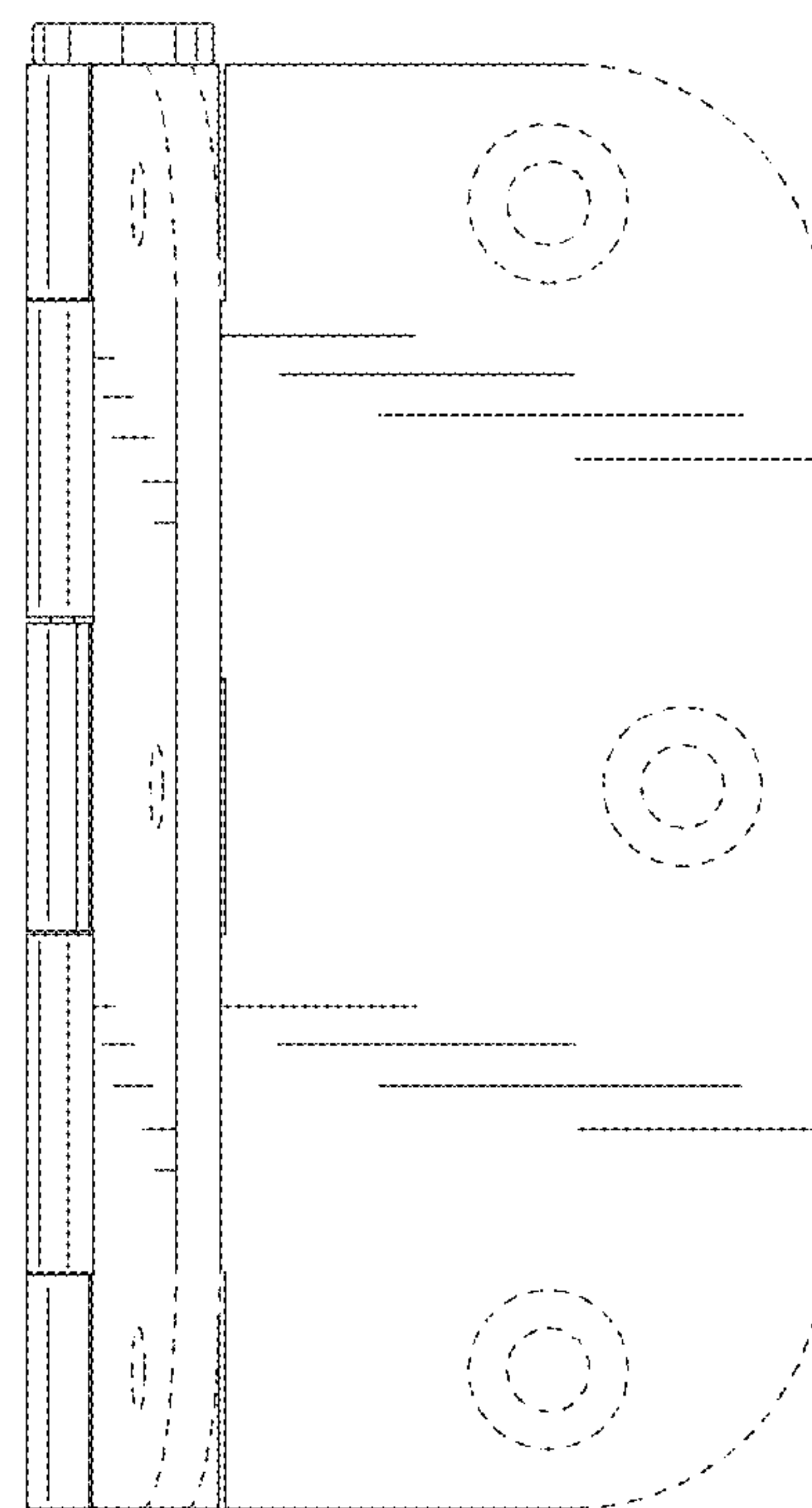
**FIG. 3**



**FIG. 4**



**FIG. 5**



**FIG. 6**

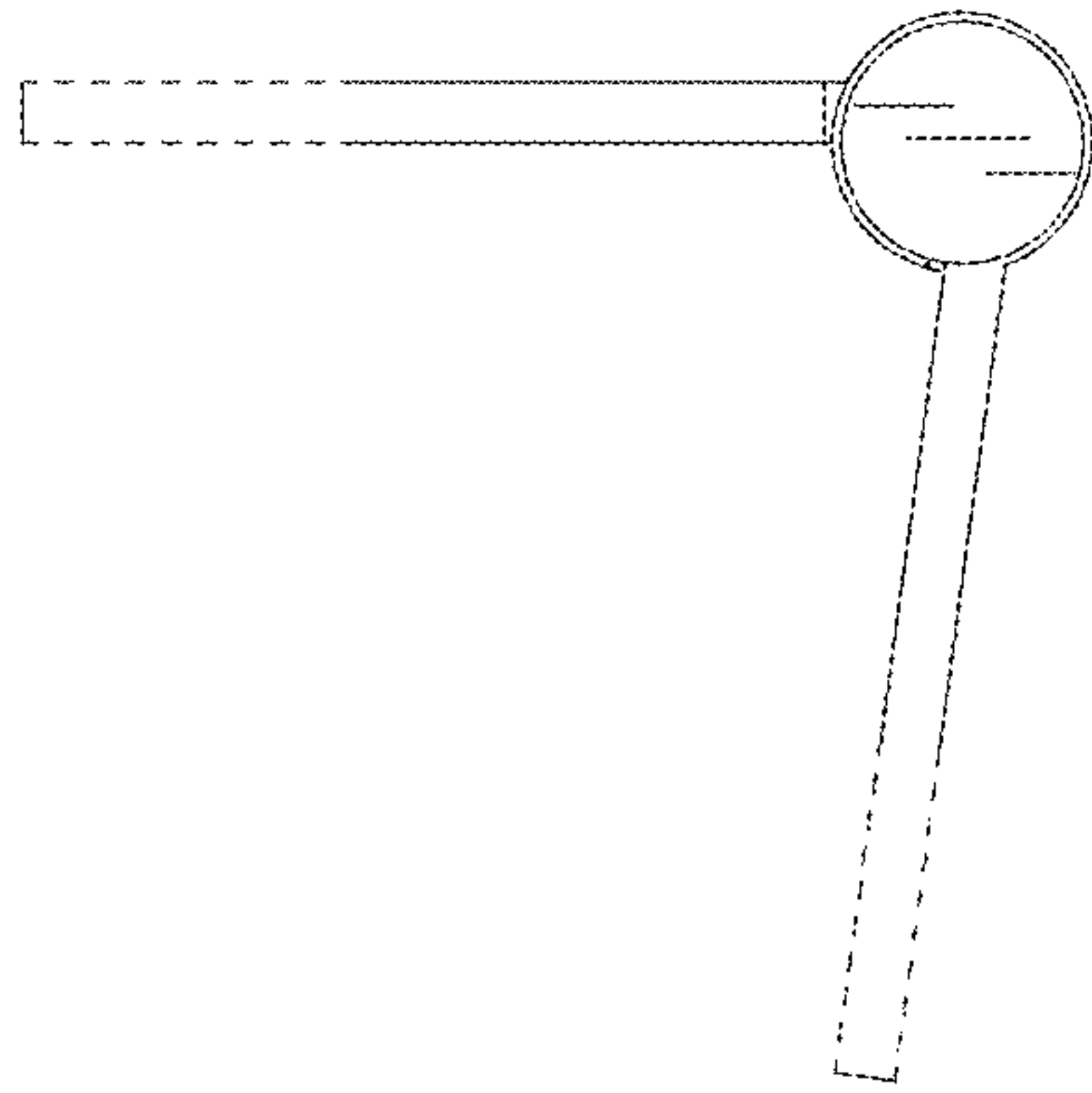


FIG. 7

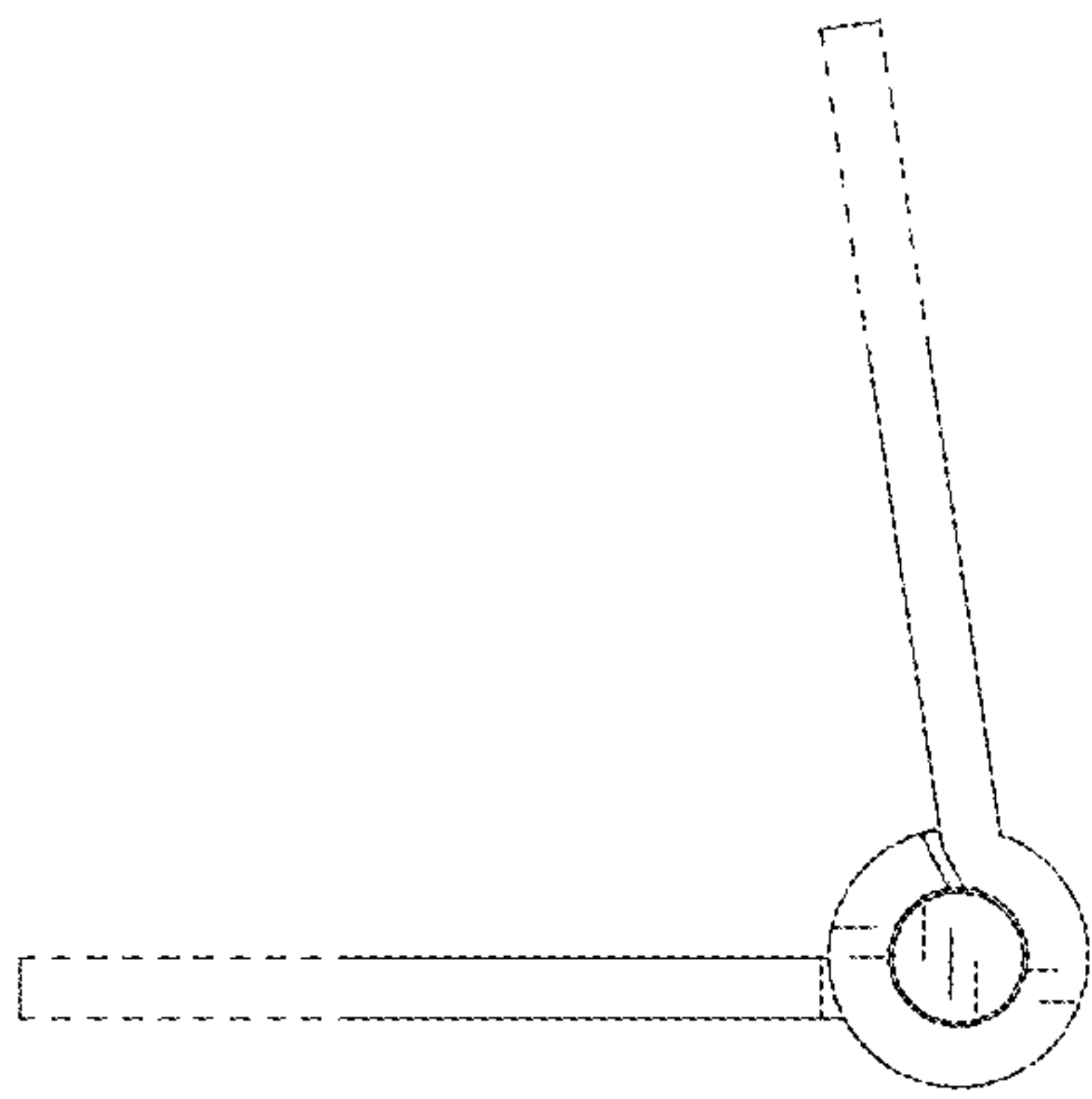


FIG. 8

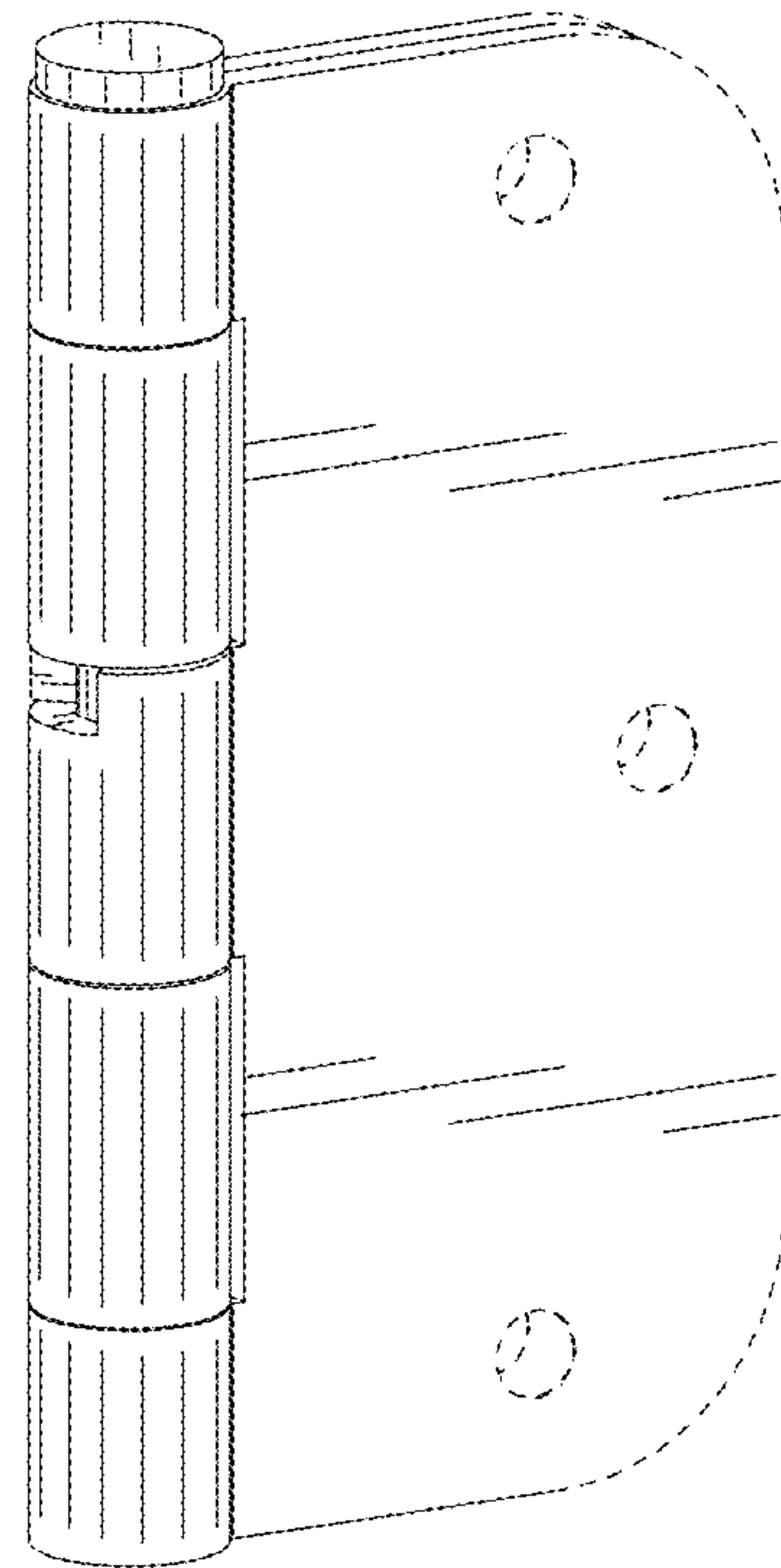


FIG. 9

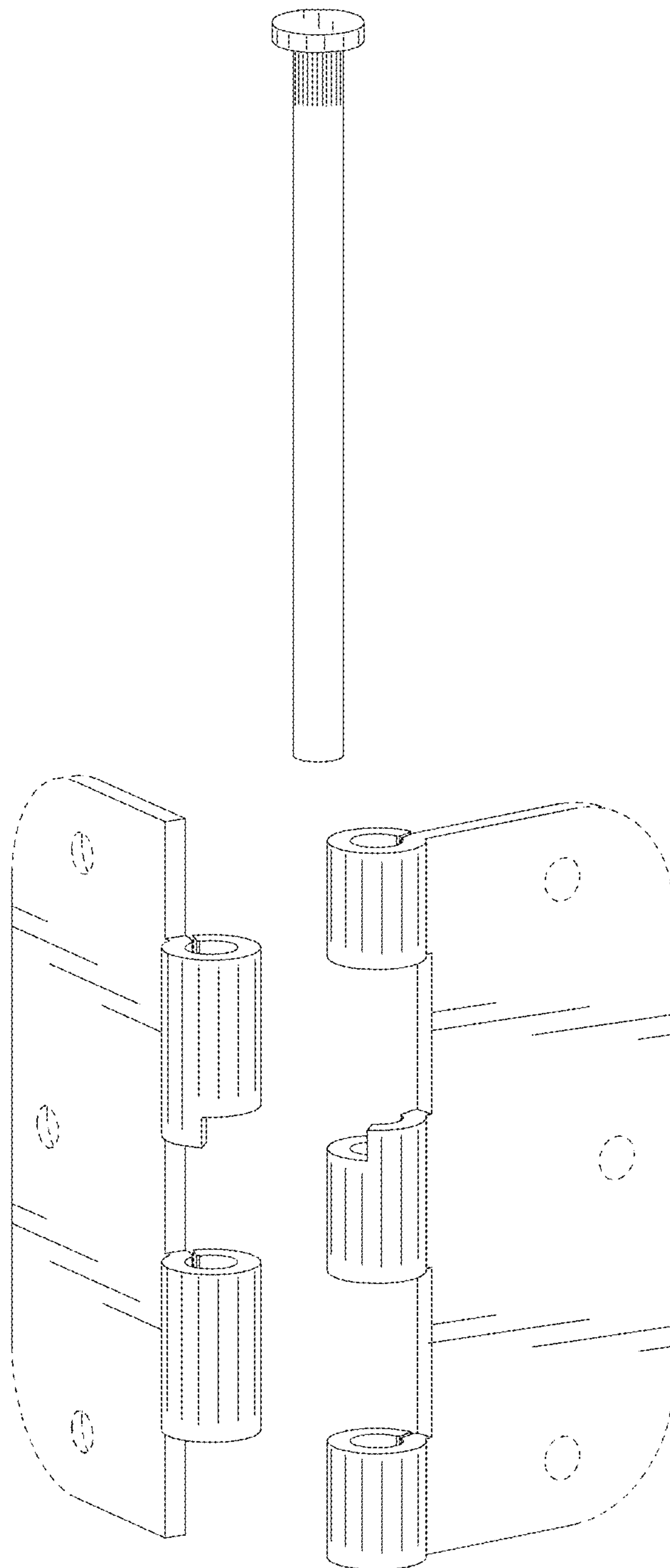
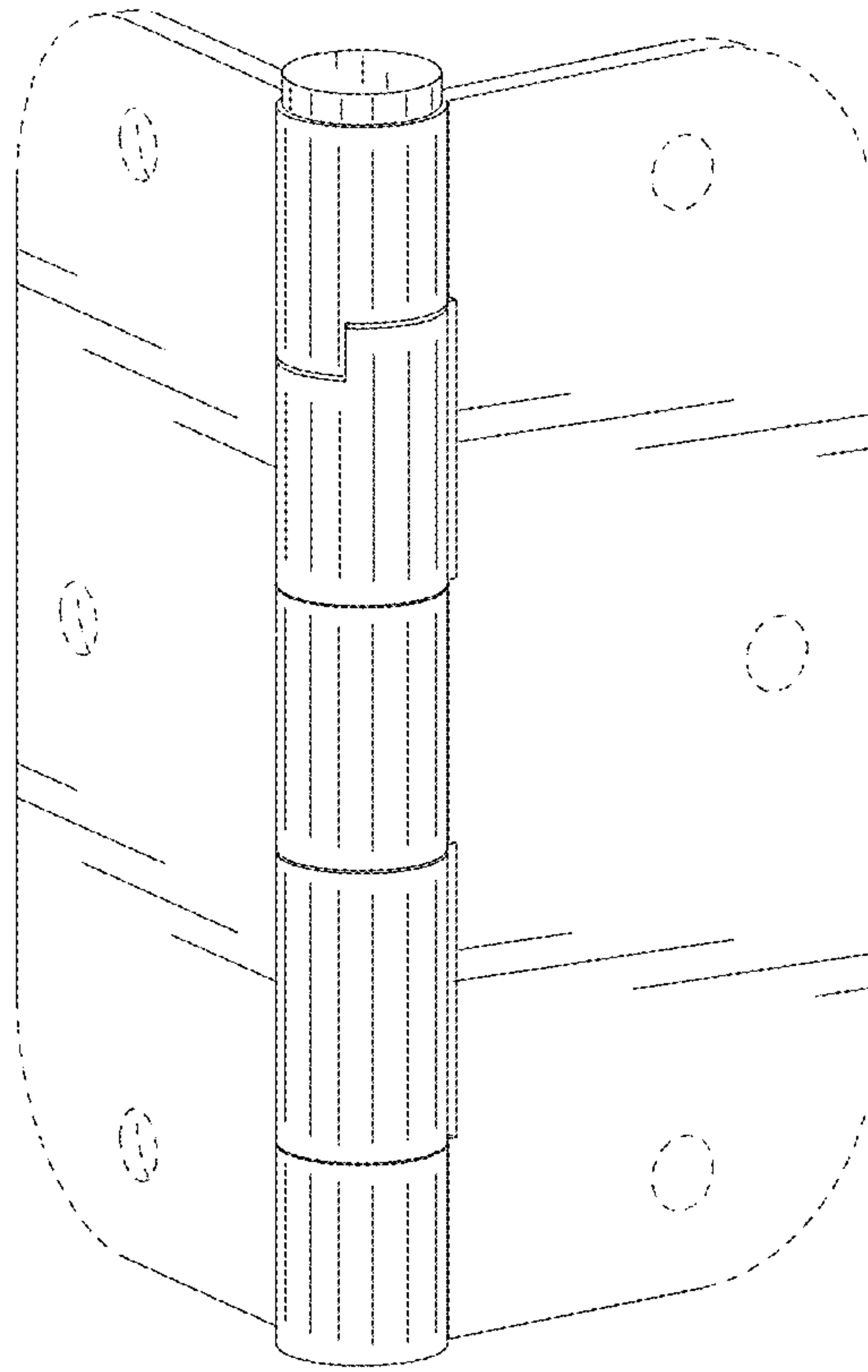
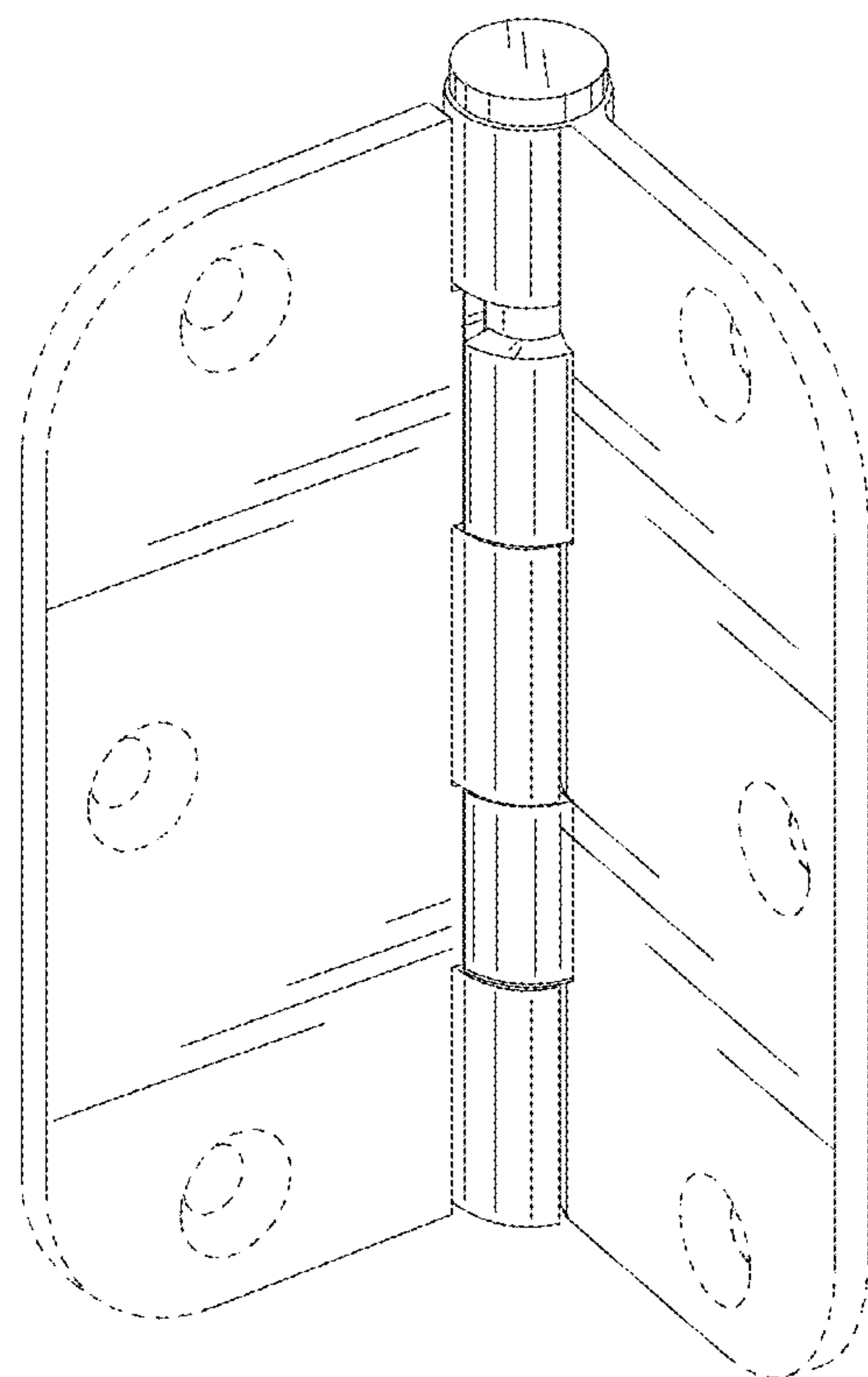


FIG. 10



**FIG. 11**



**FIG. 12**

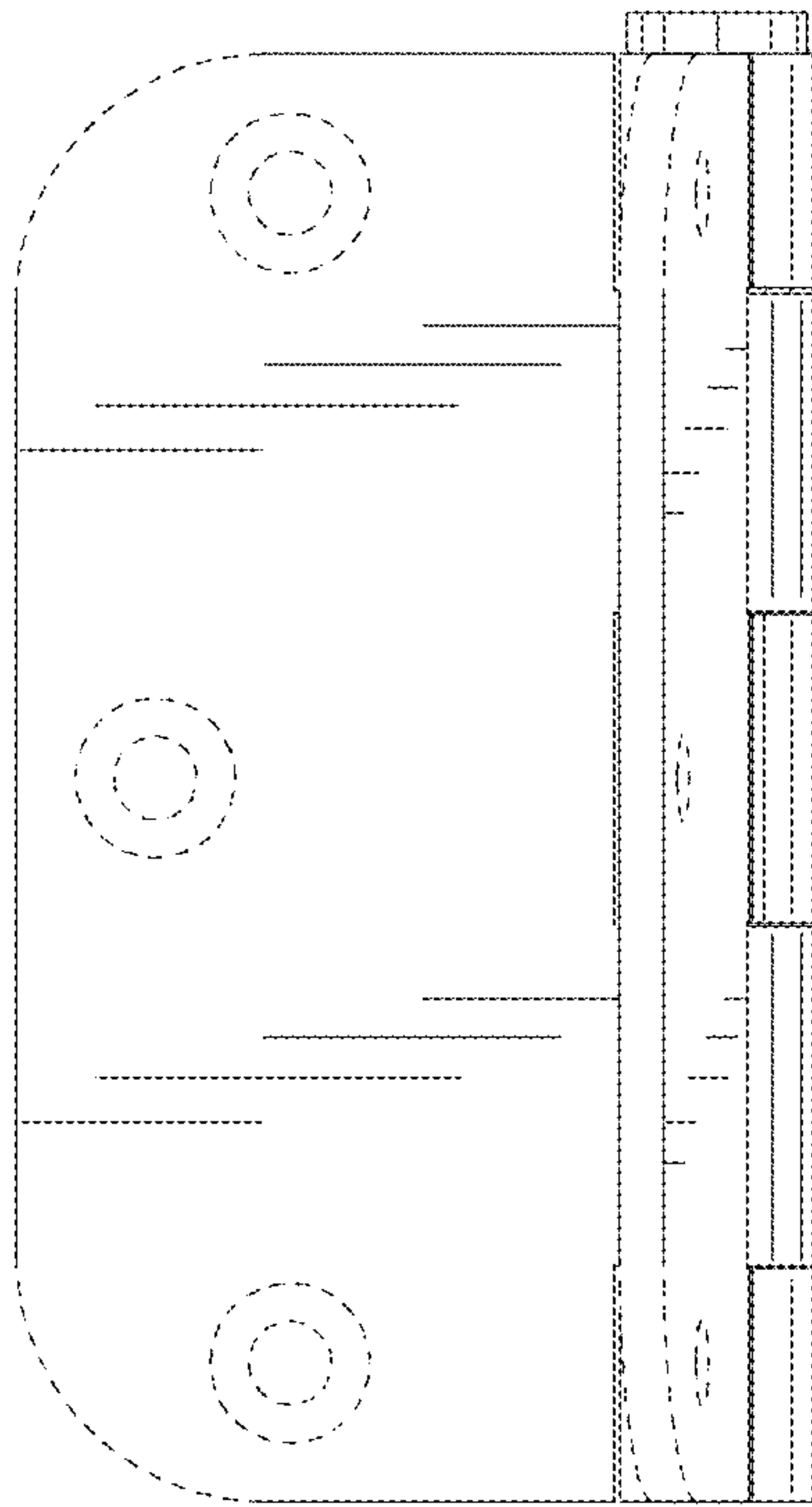


FIG. 13

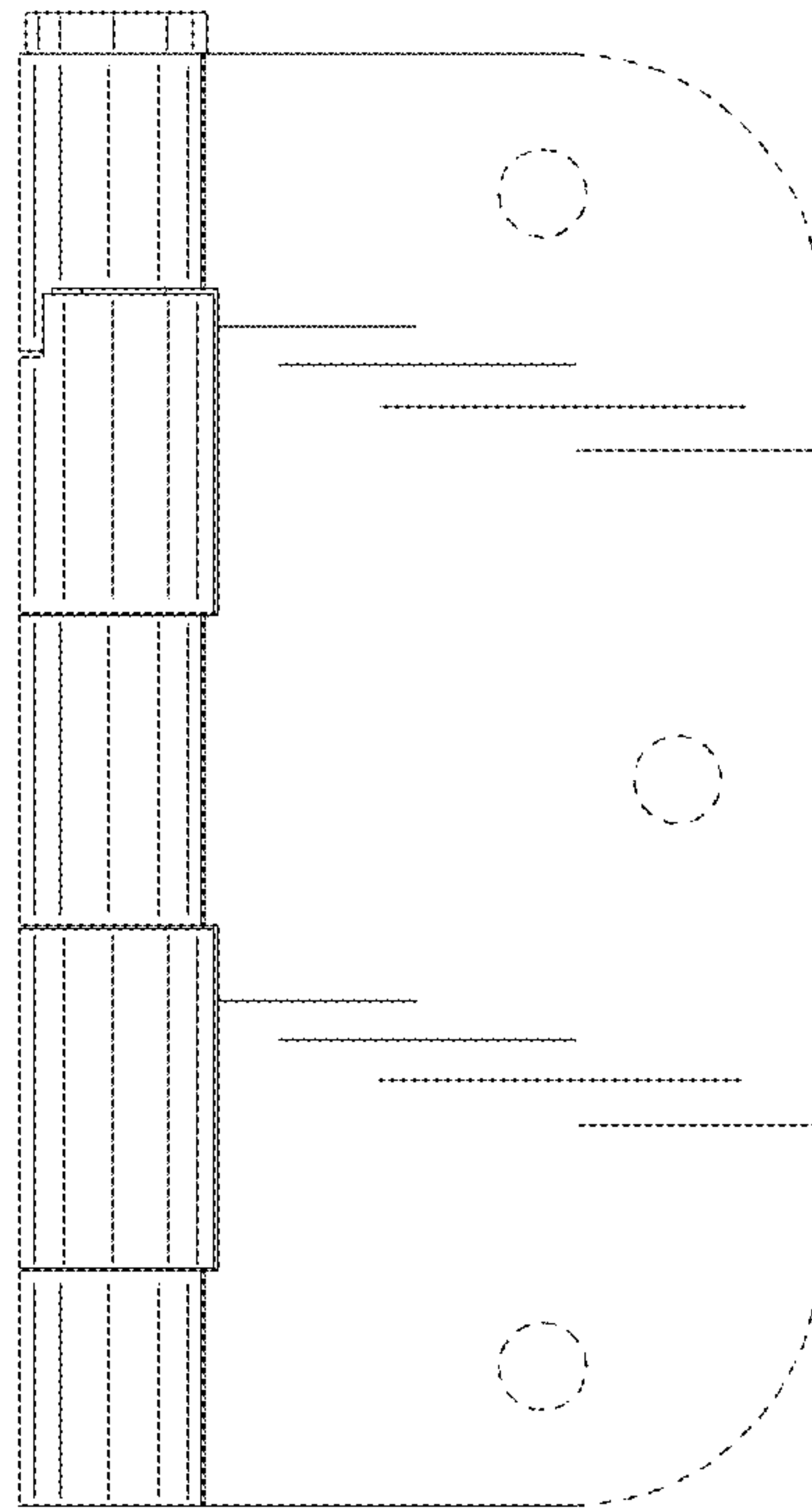


FIG. 14

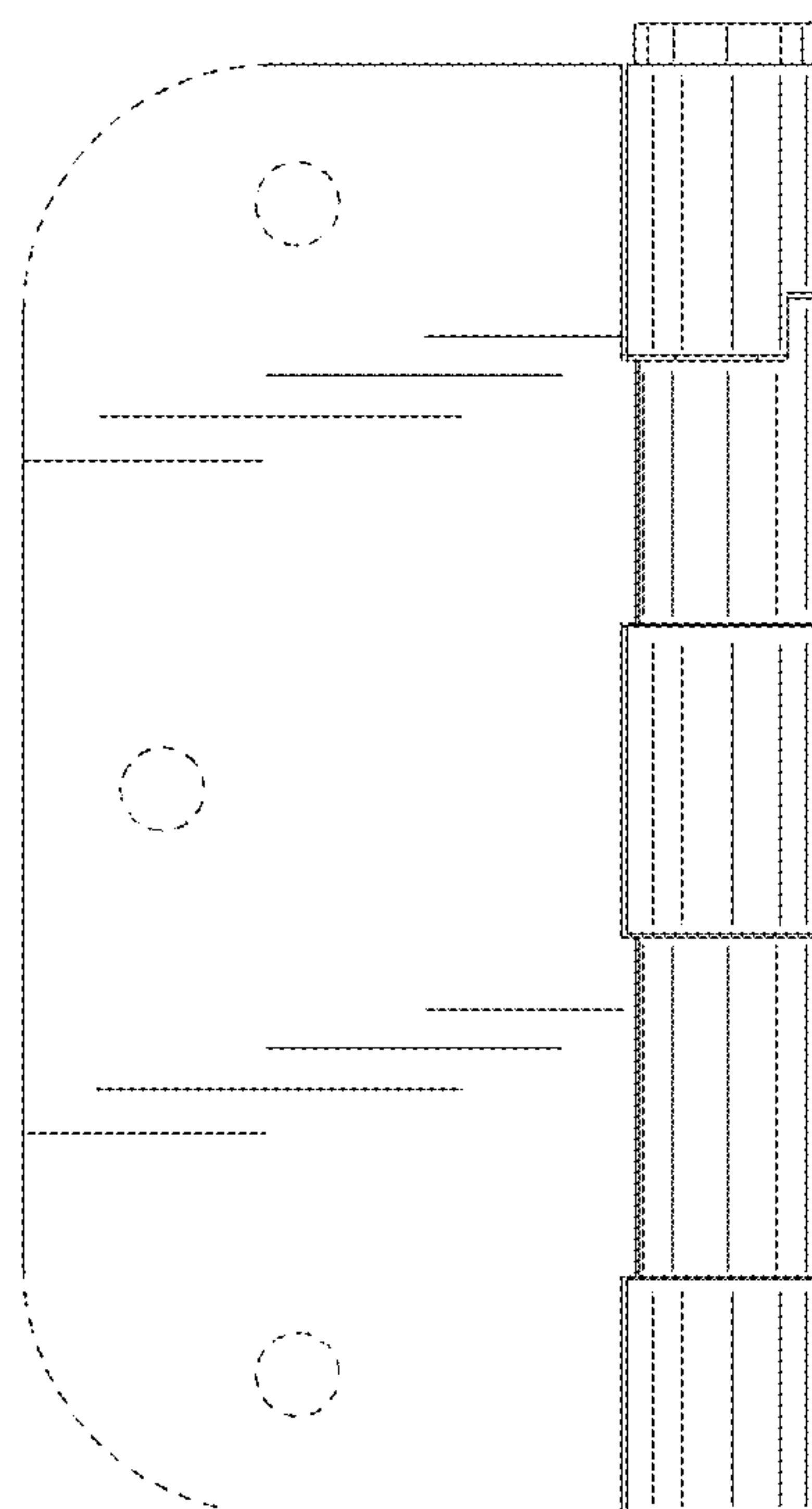


FIG. 15

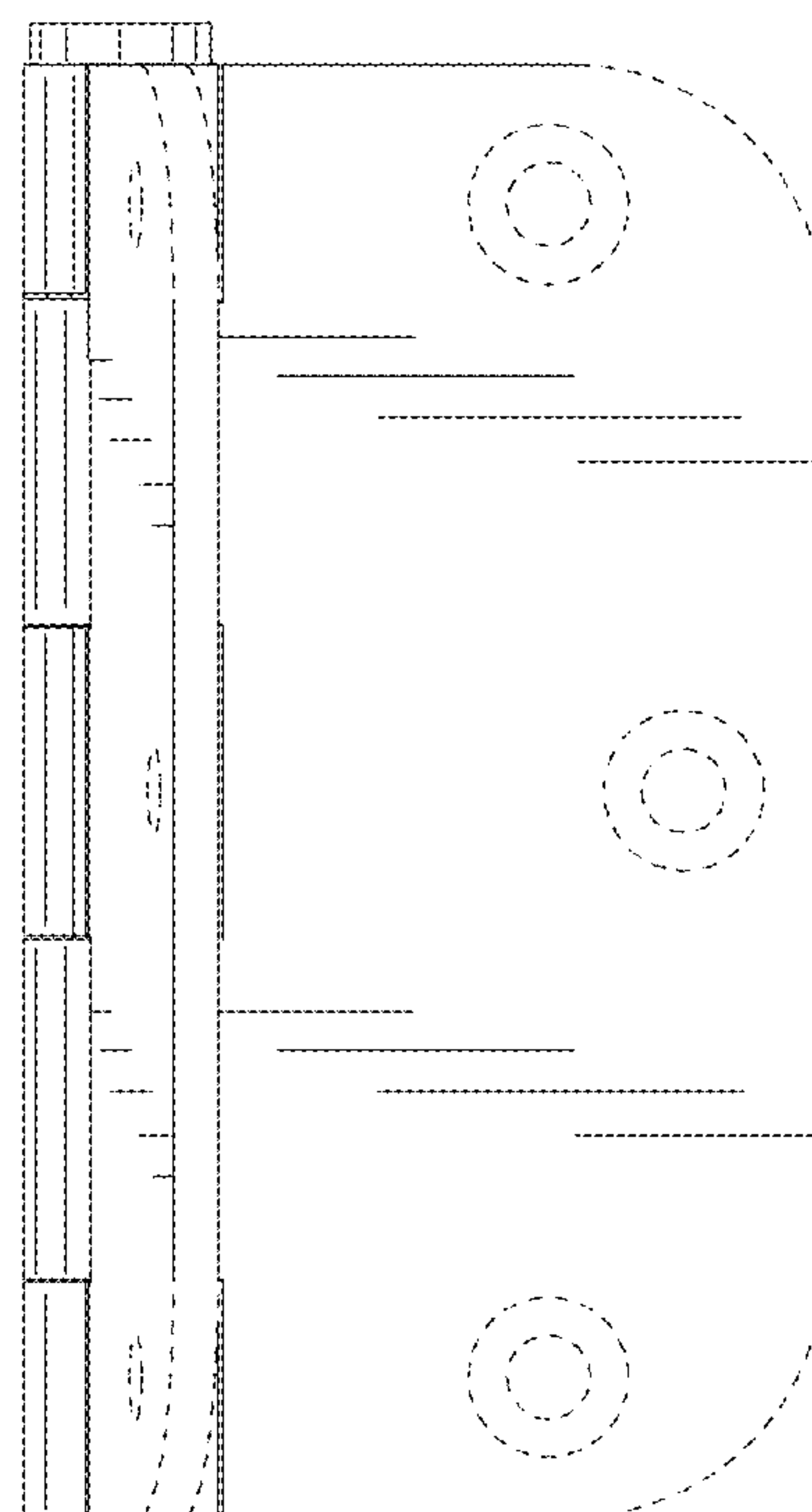


FIG. 16



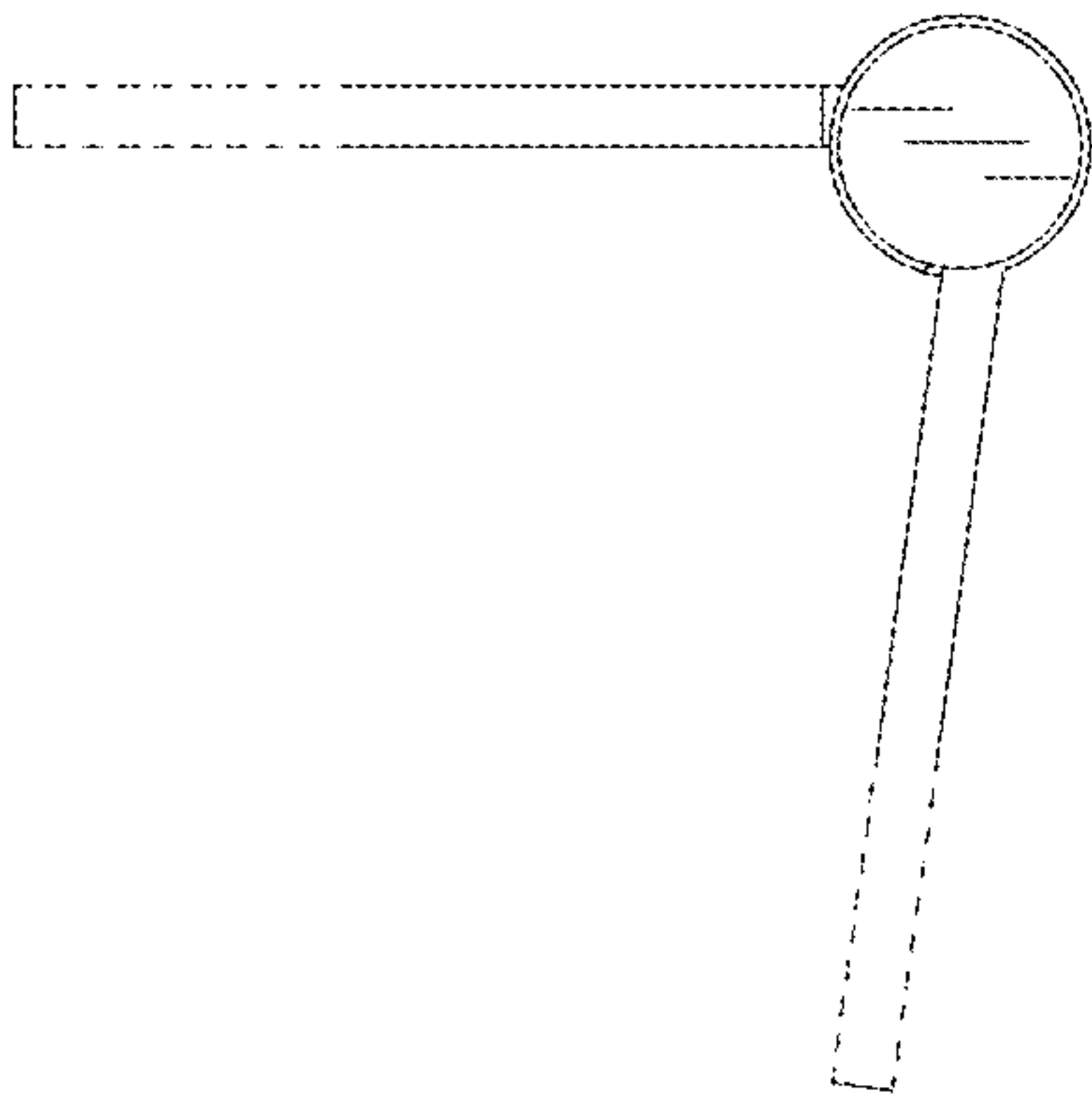


FIG. 17

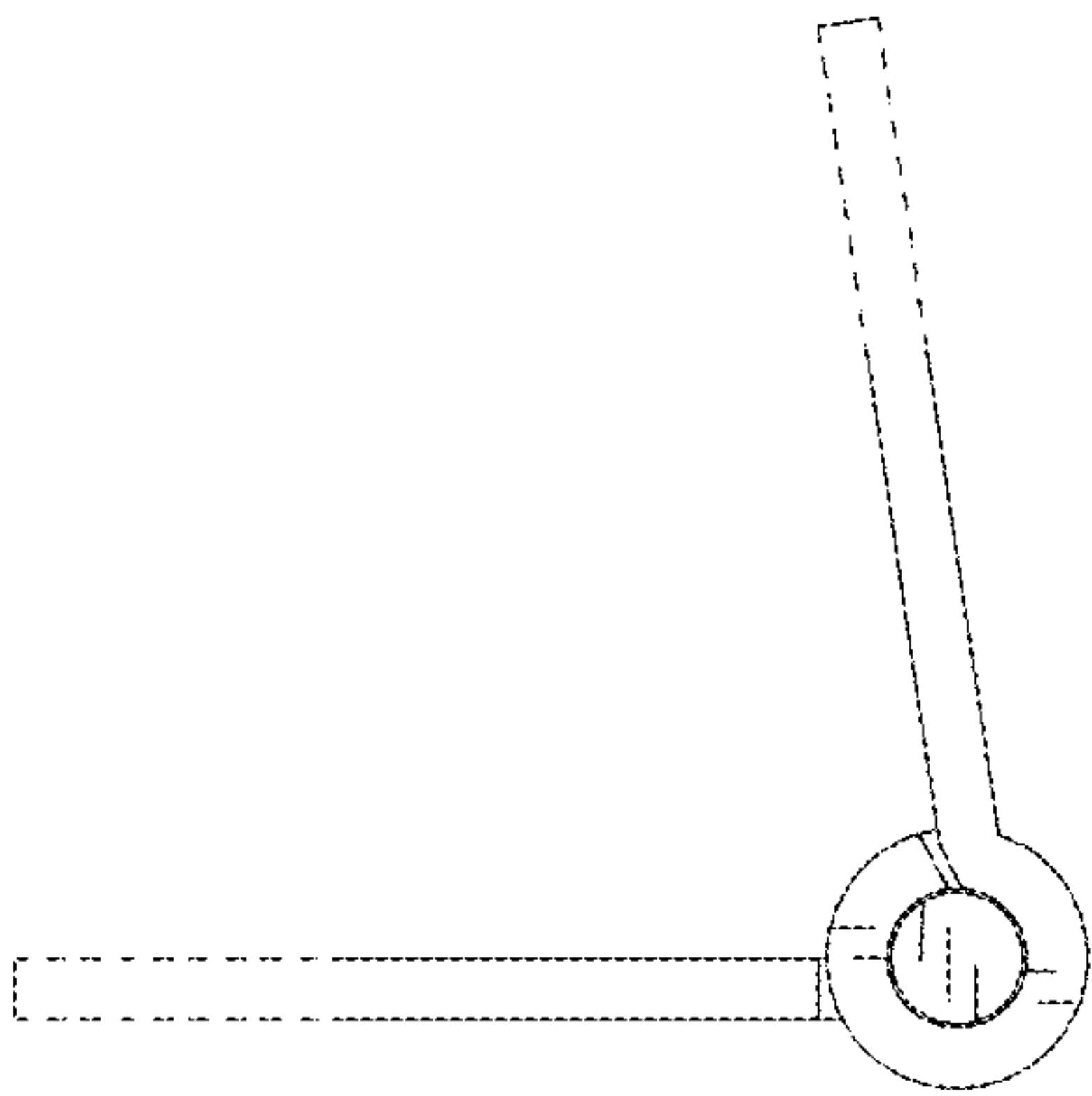


FIG. 18

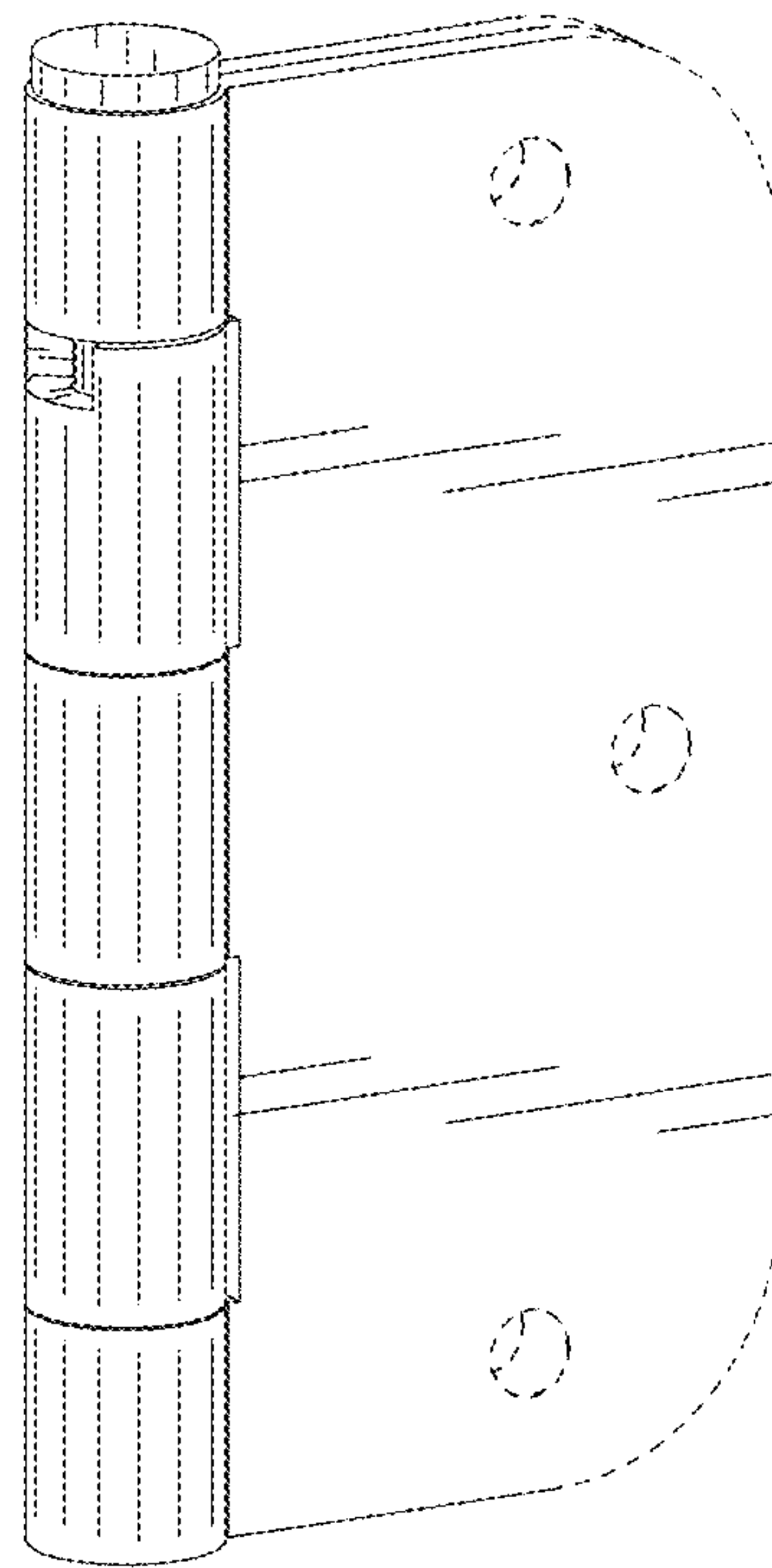


FIG. 19

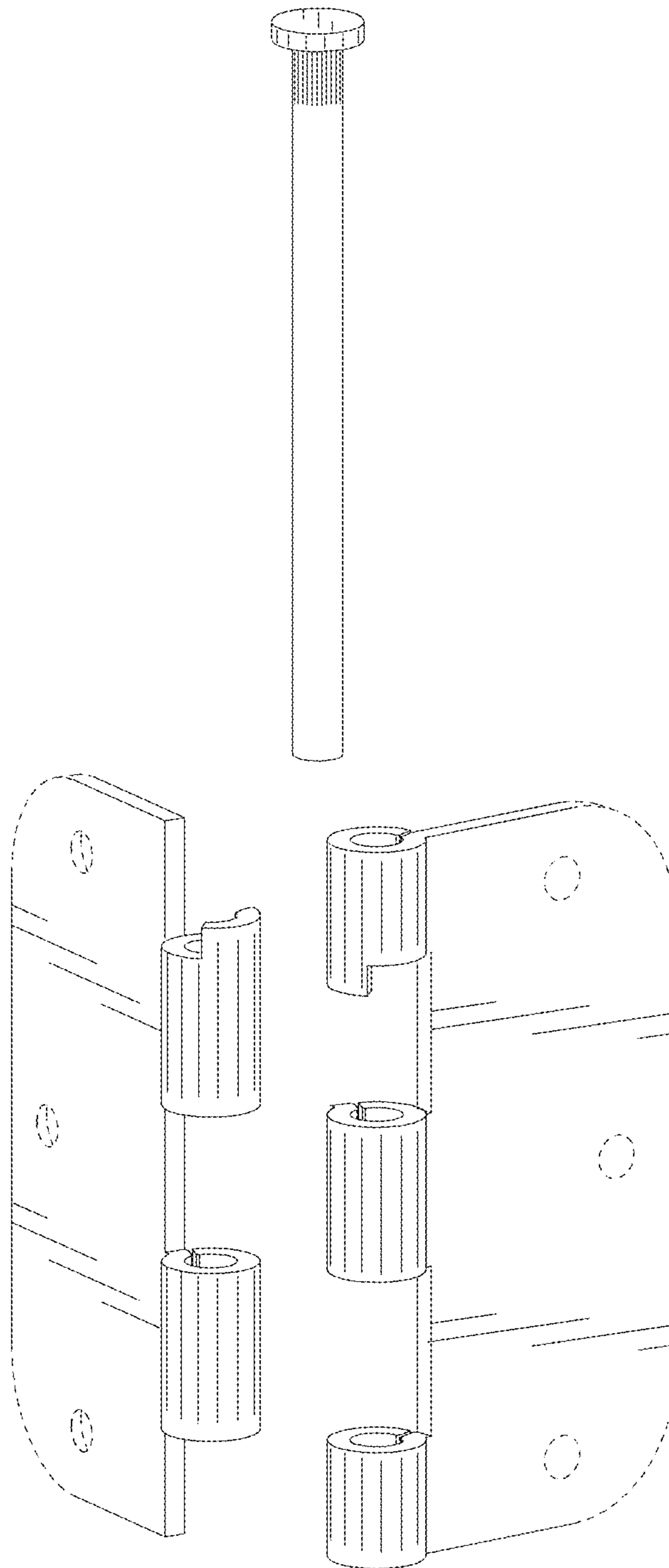
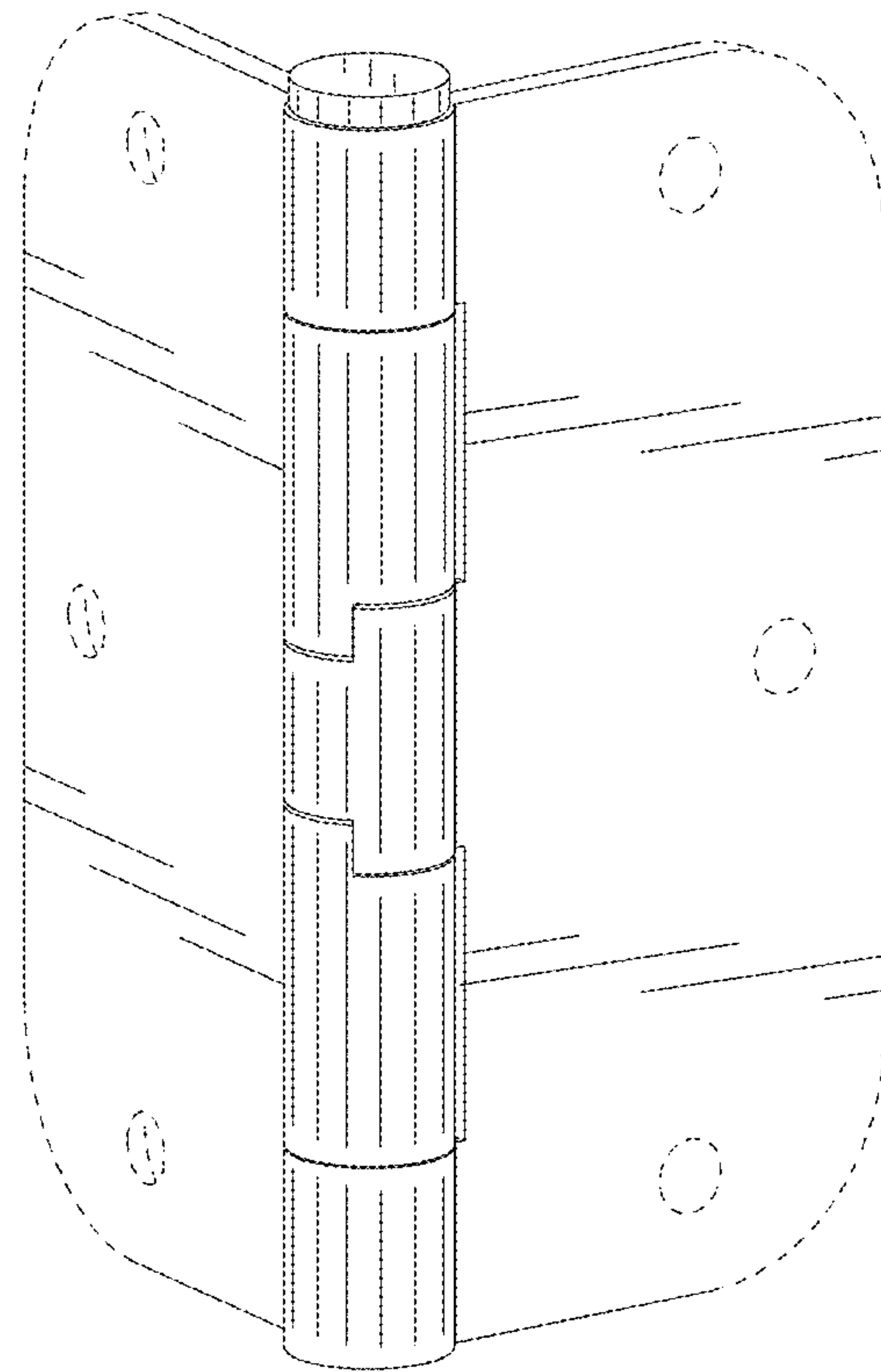
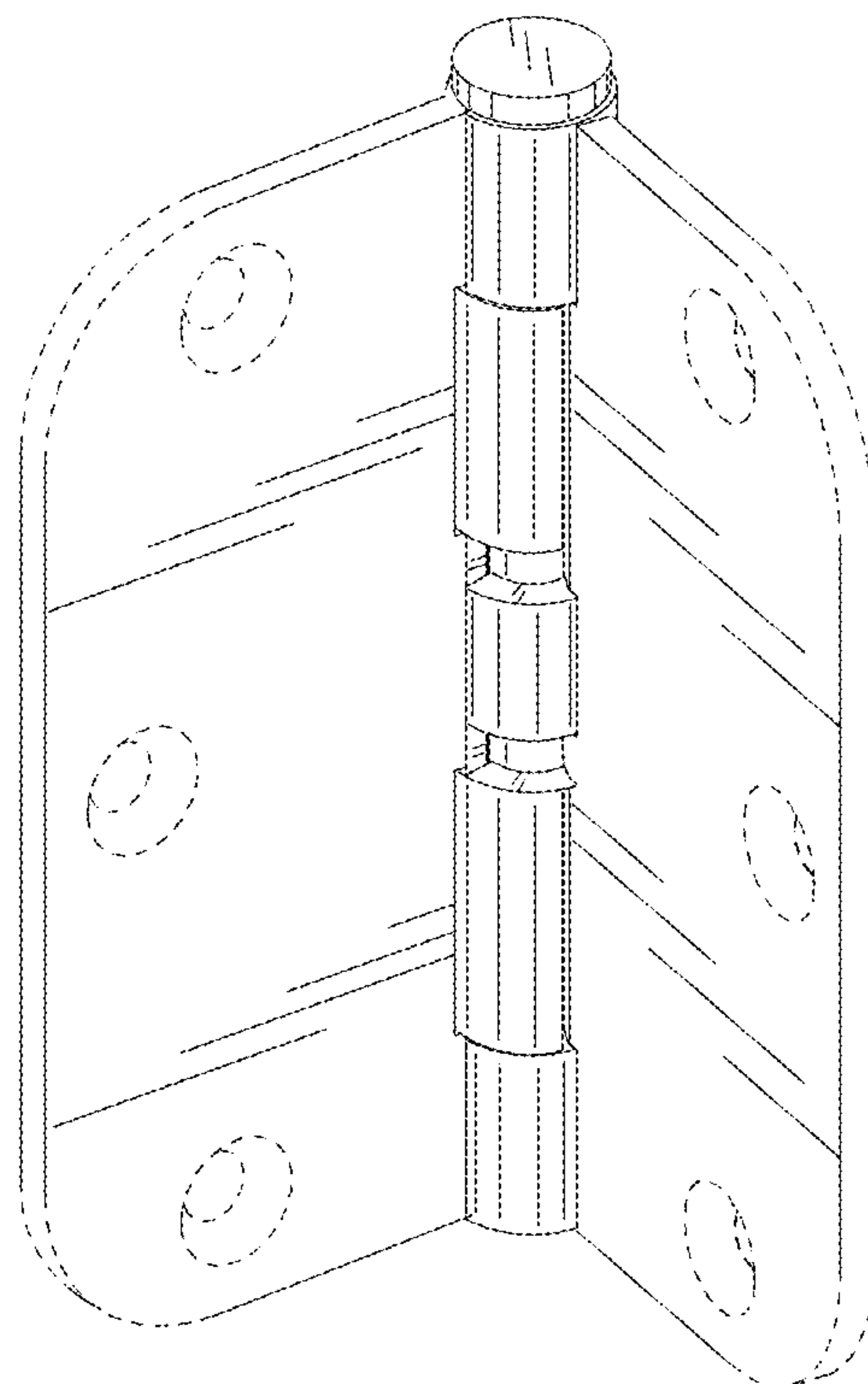


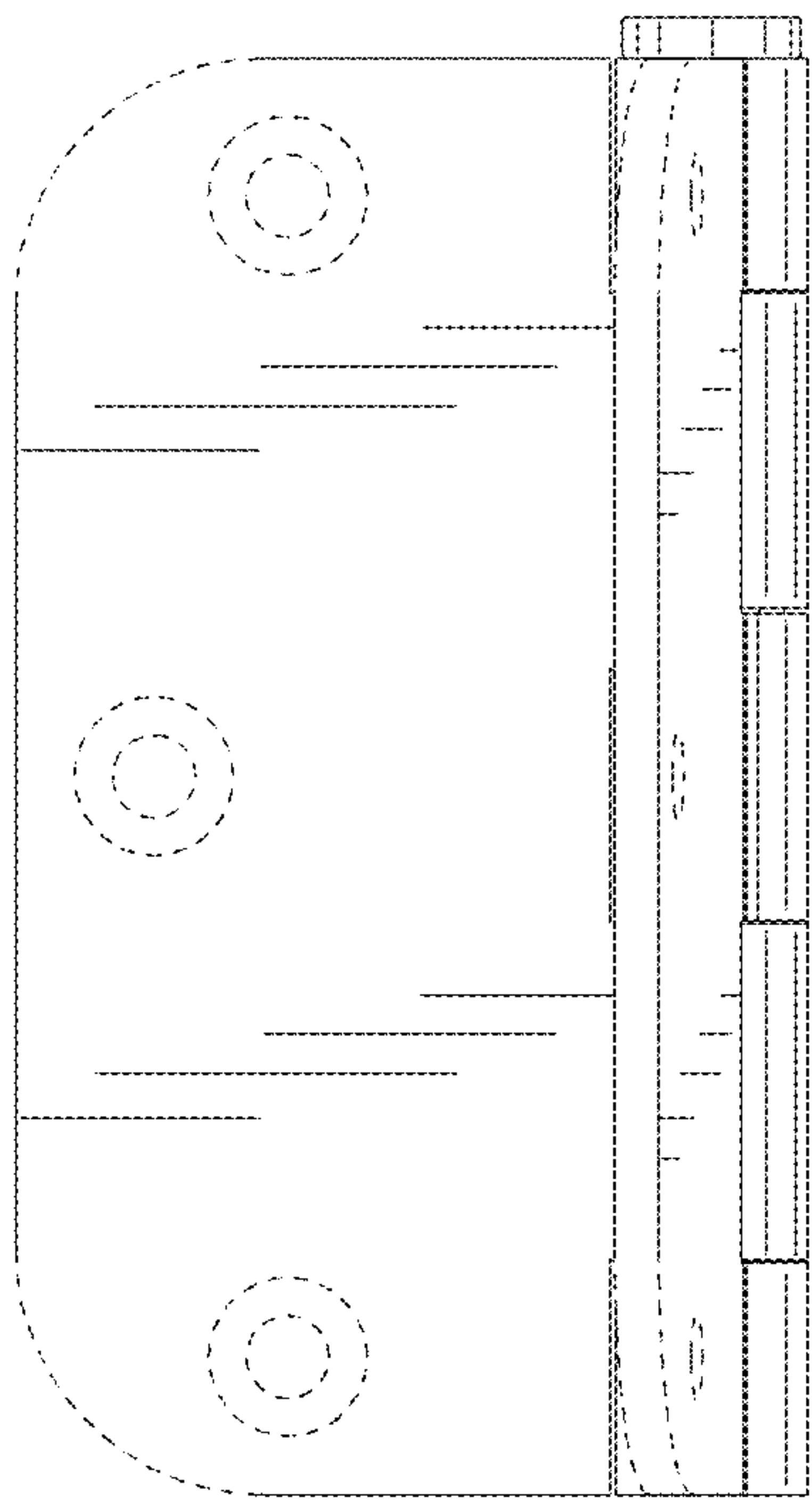
FIG. 20



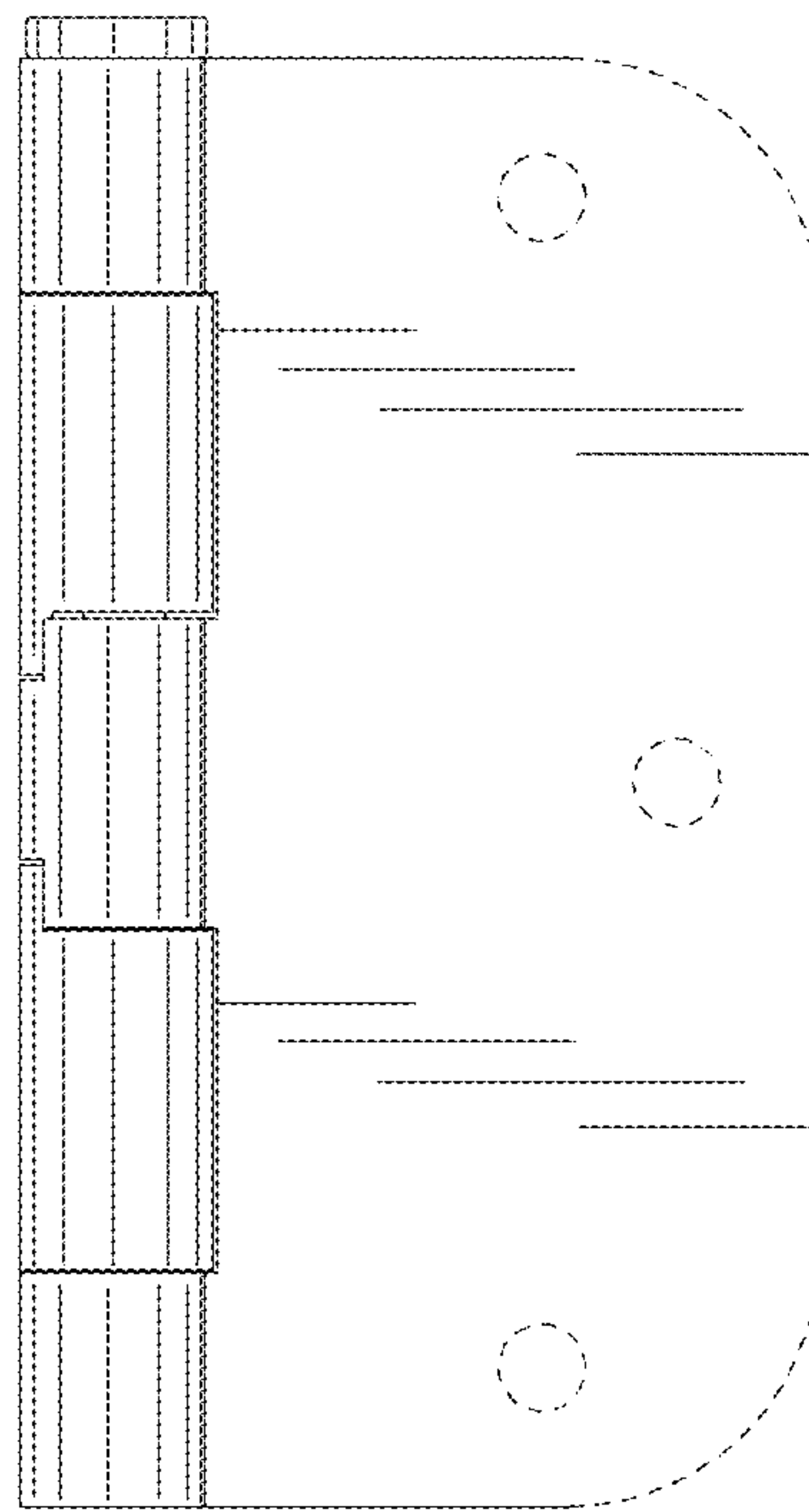
**FIG. 21**



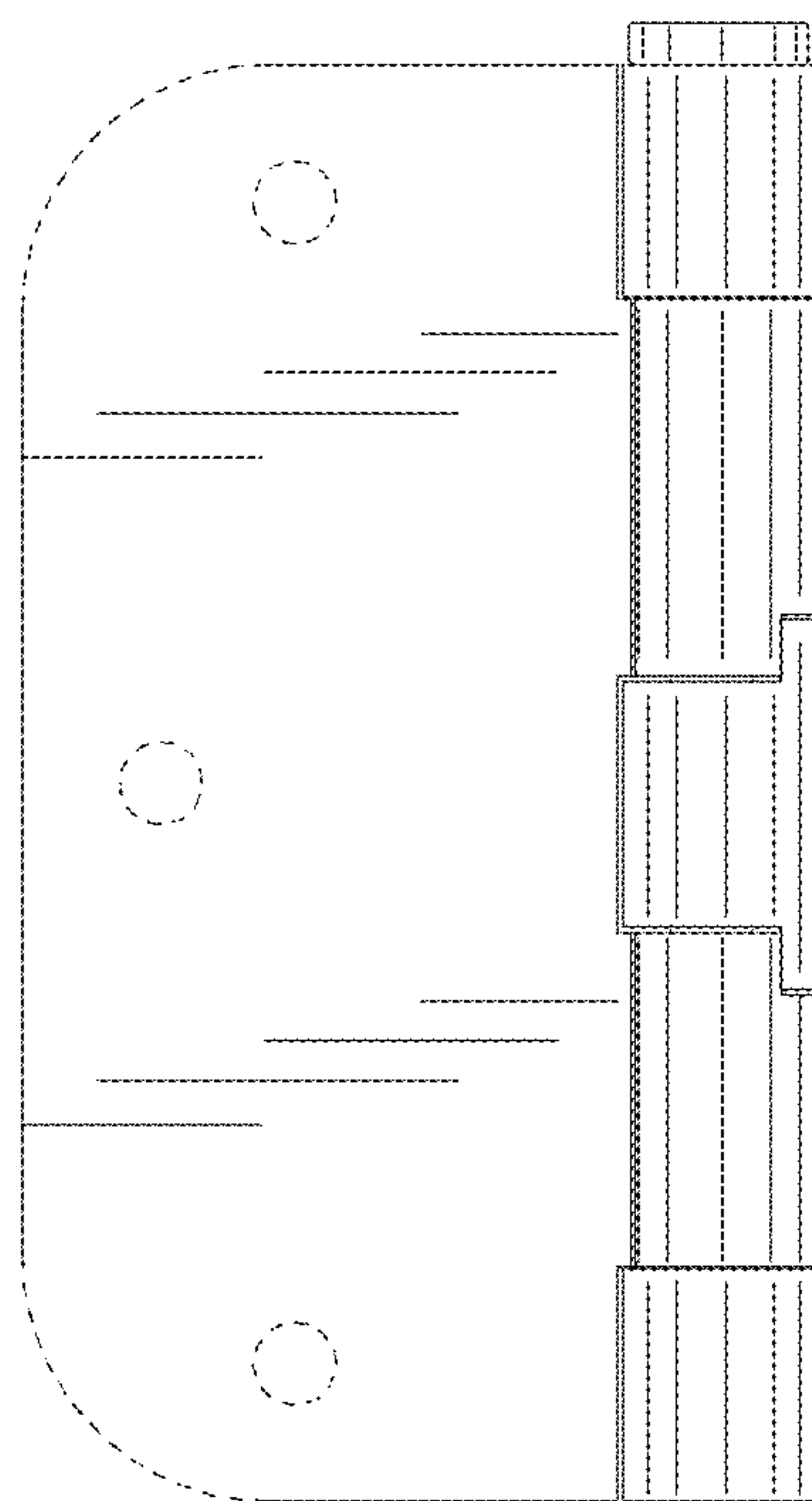
**FIG. 22**



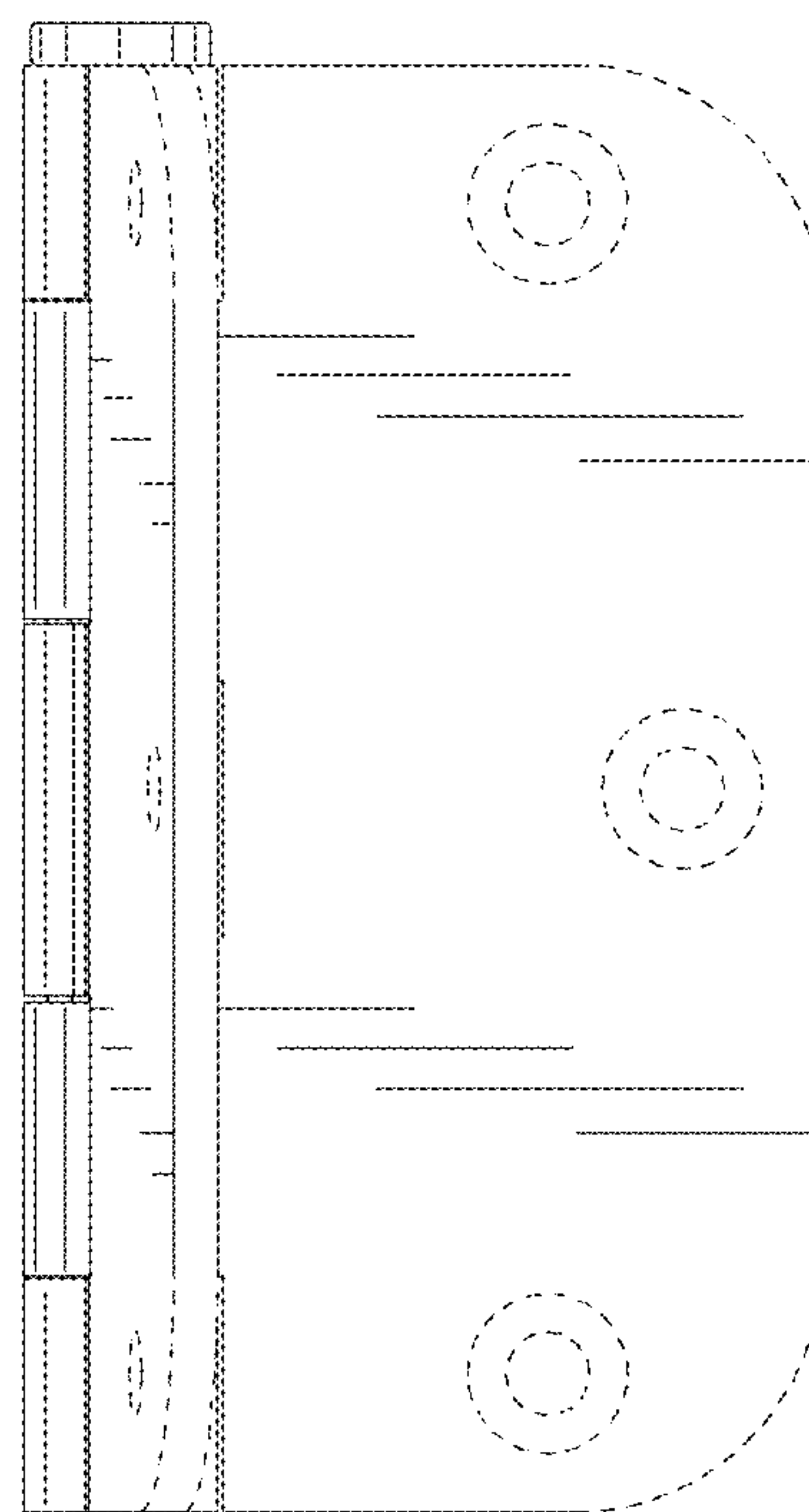
**FIG. 23**



**FIG. 24**



**FIG. 25**



**FIG. 26**



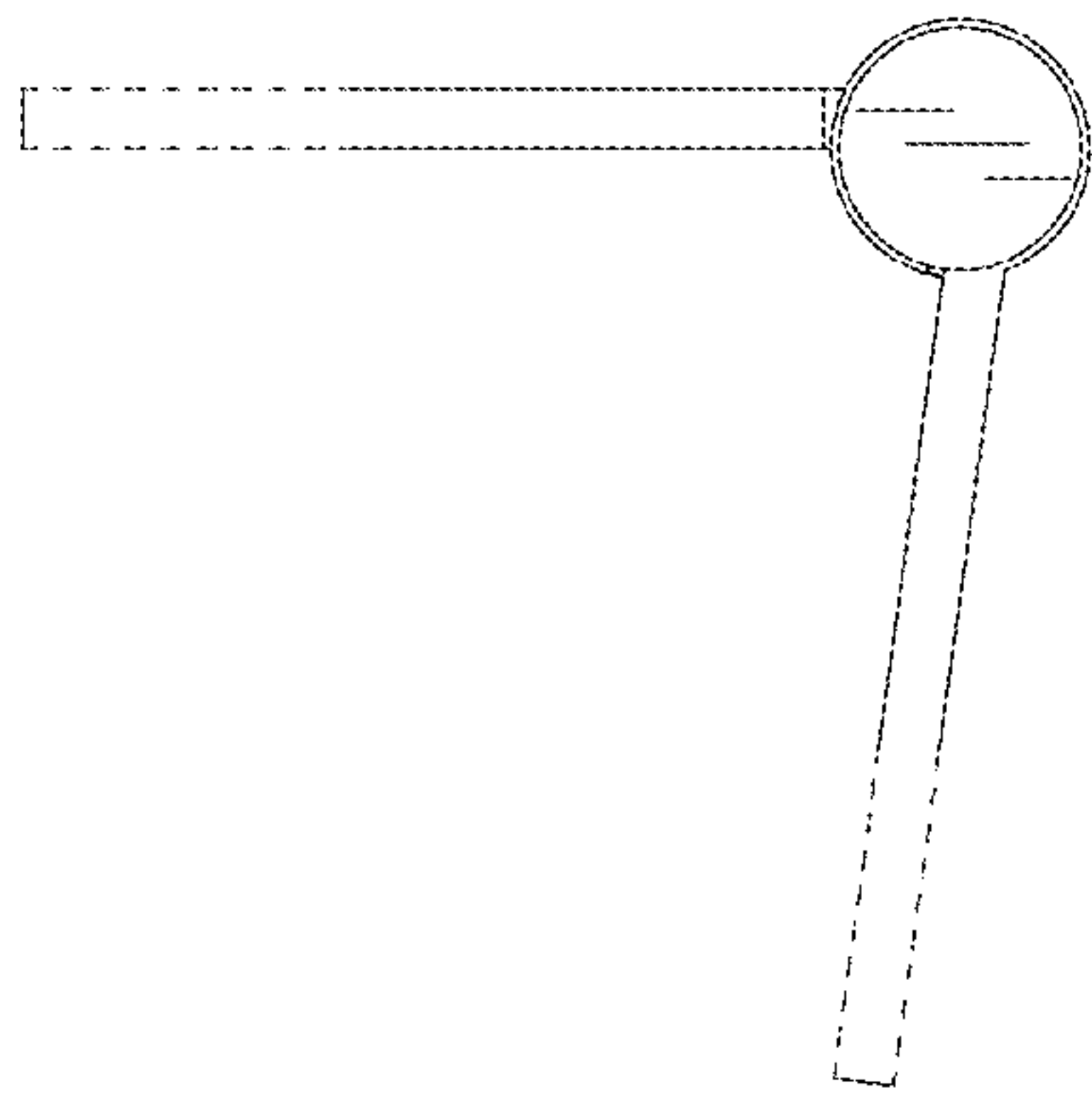


FIG. 27

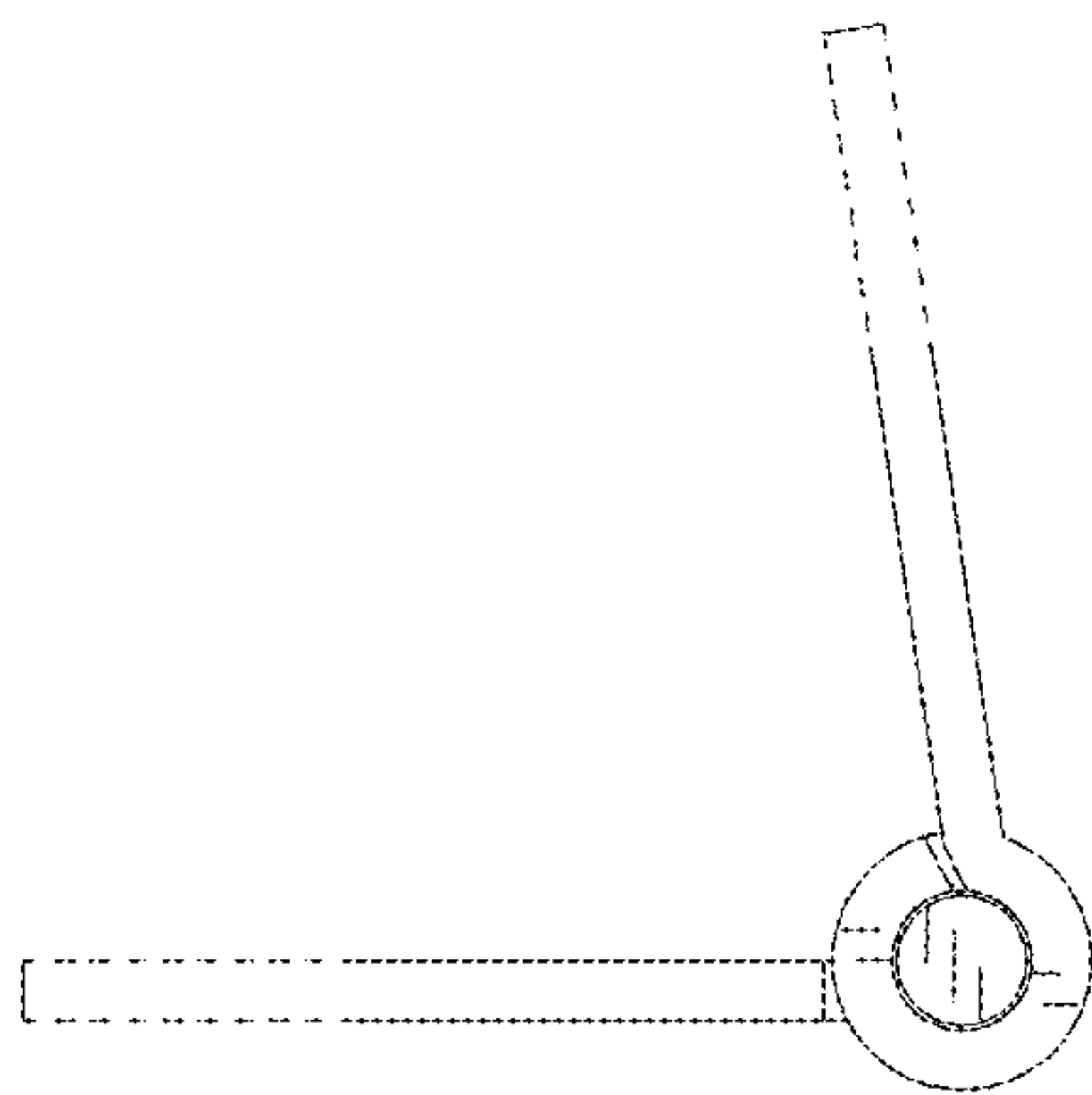


FIG. 28

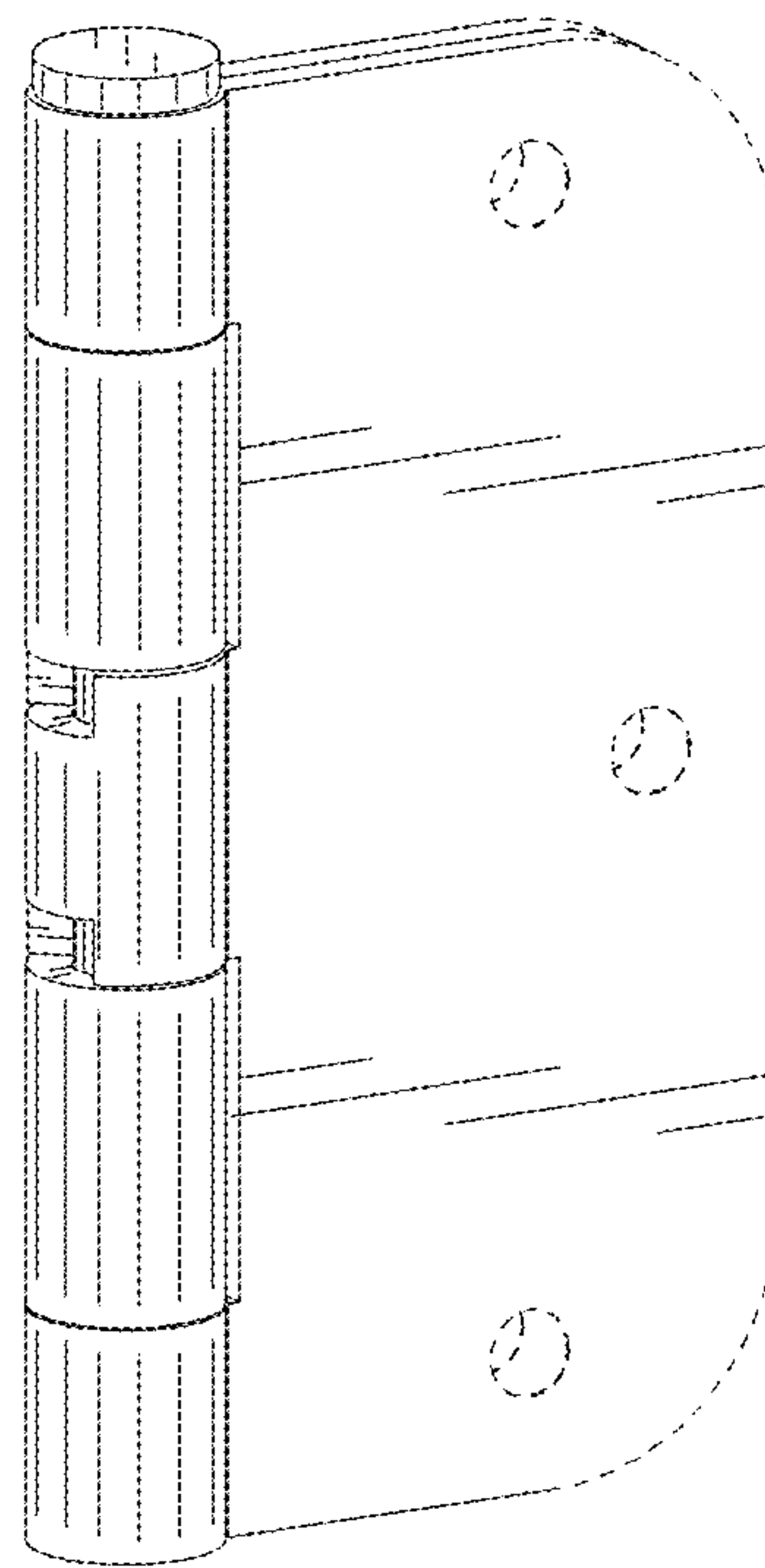


FIG. 29

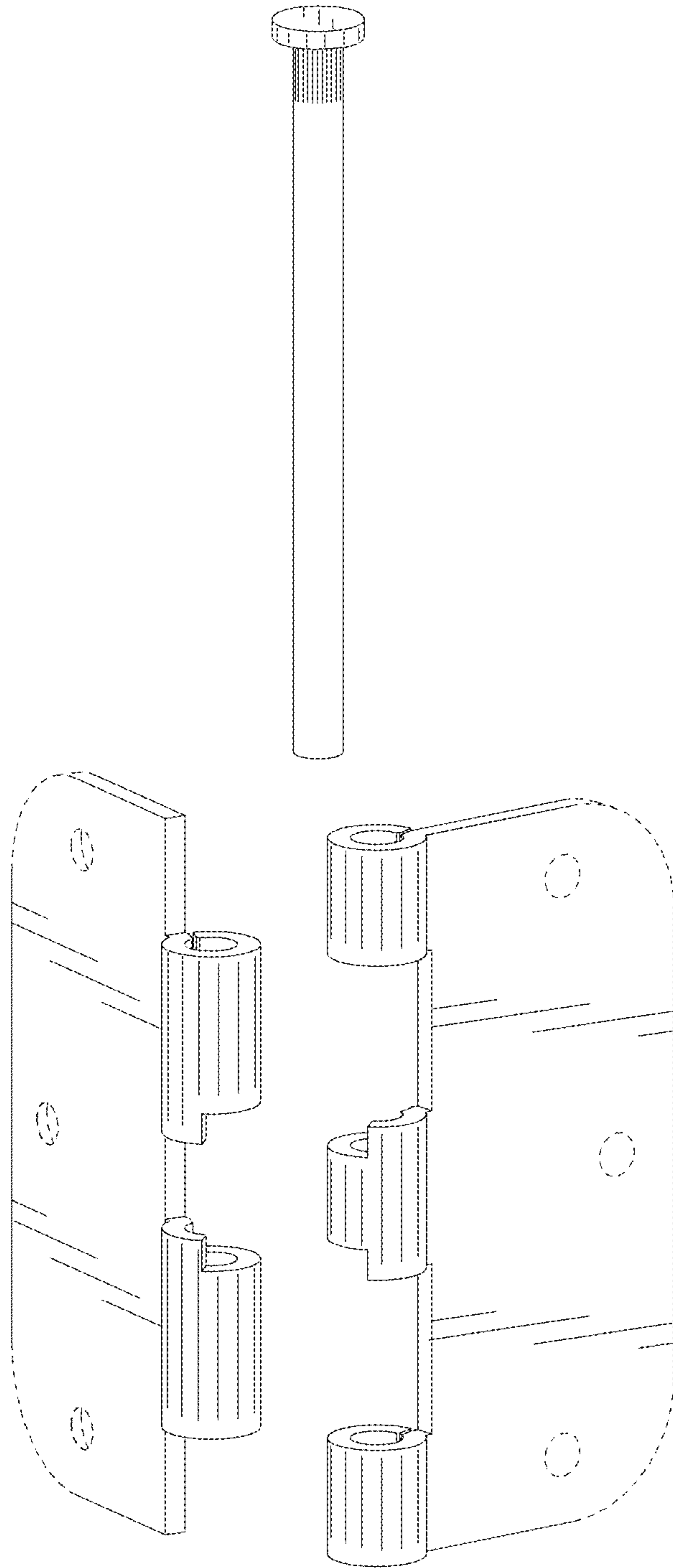
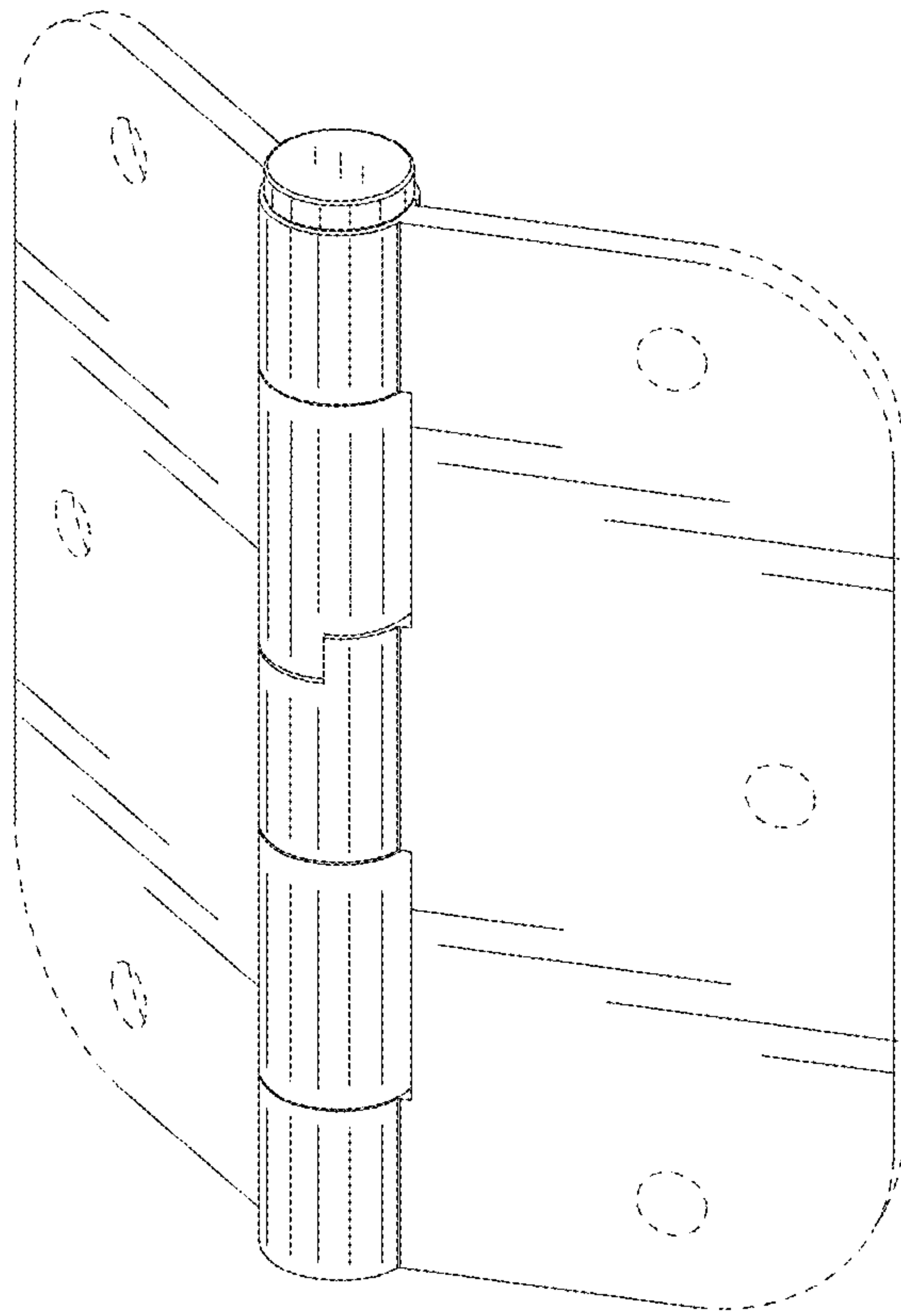
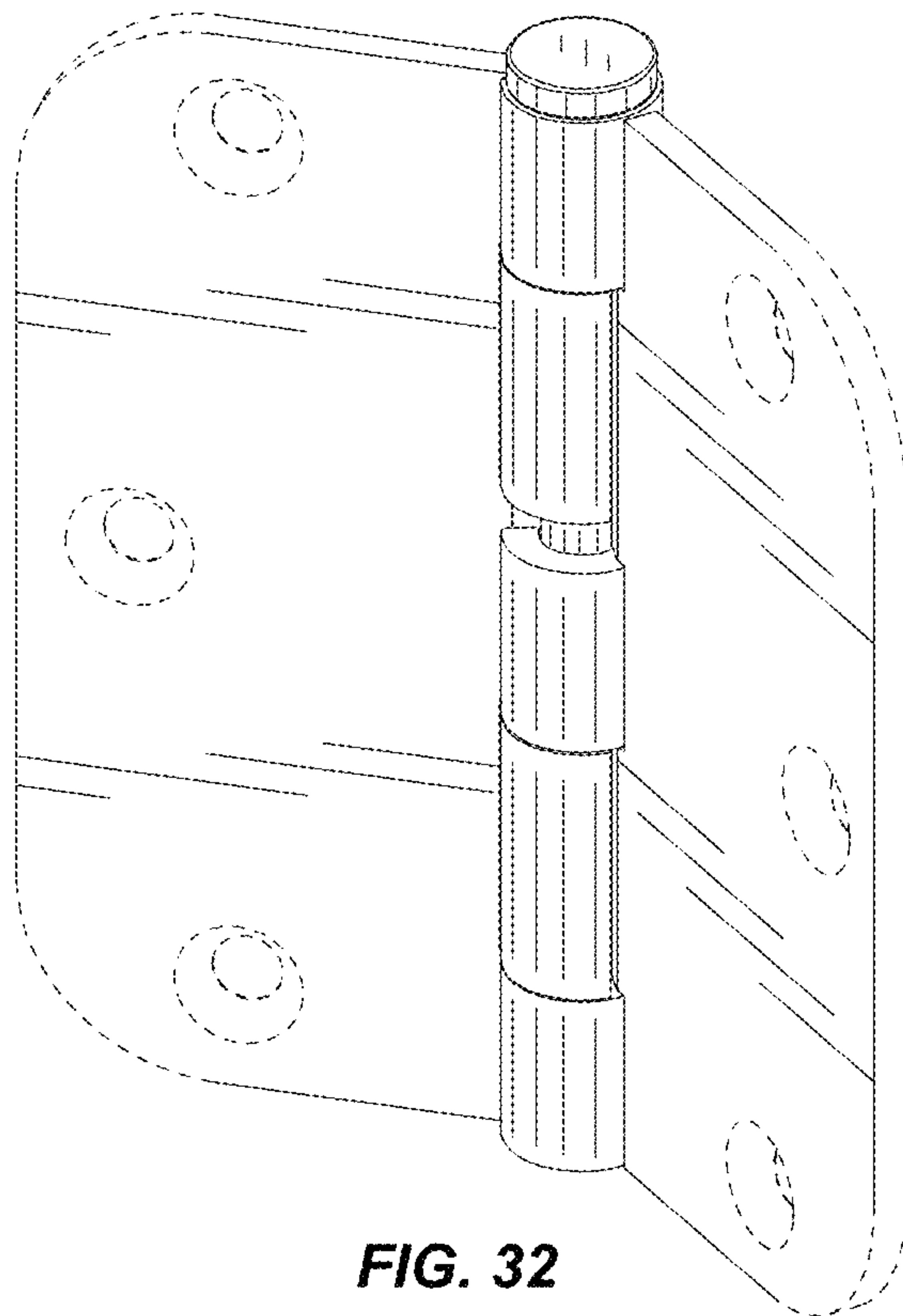


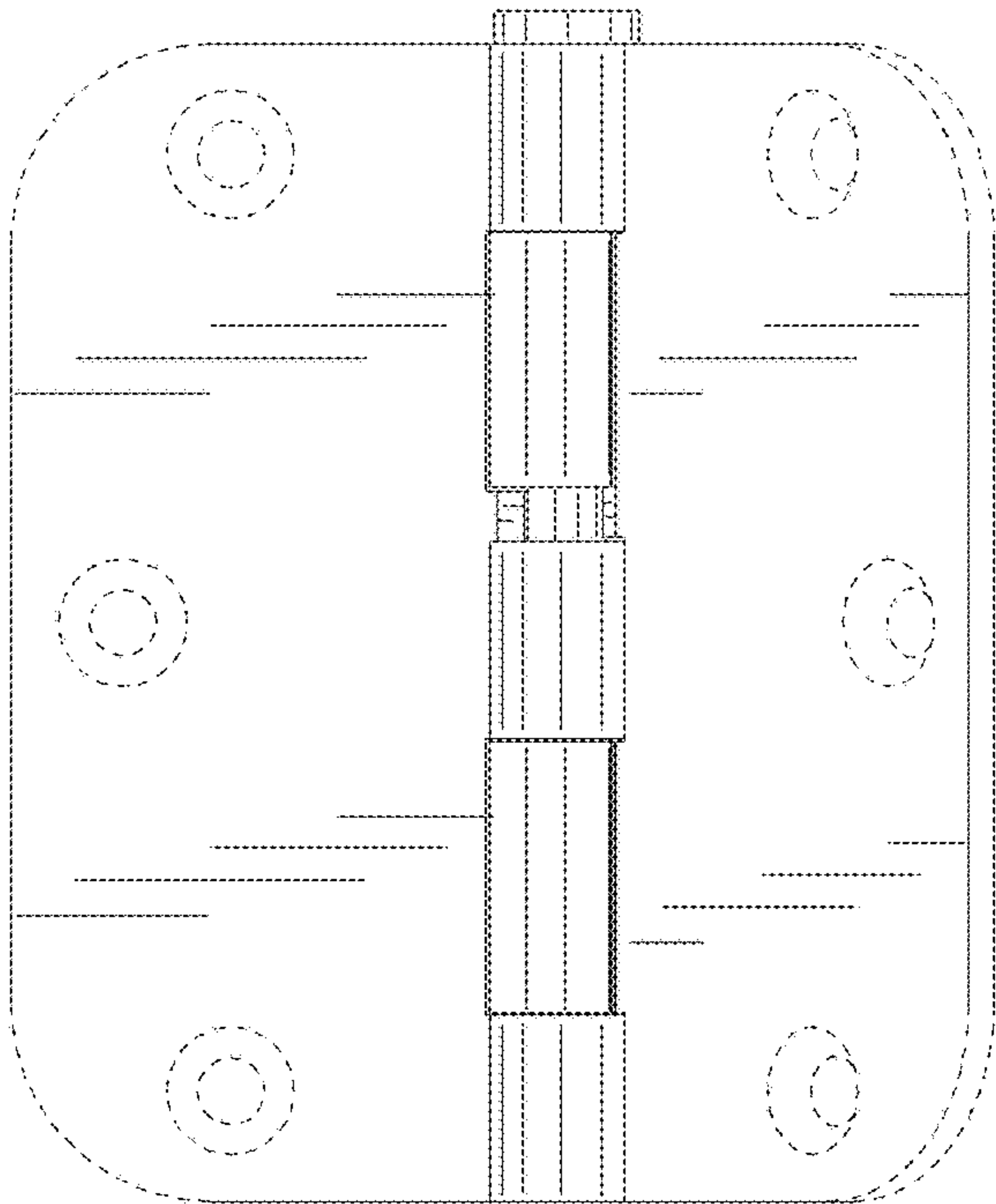
FIG. 30



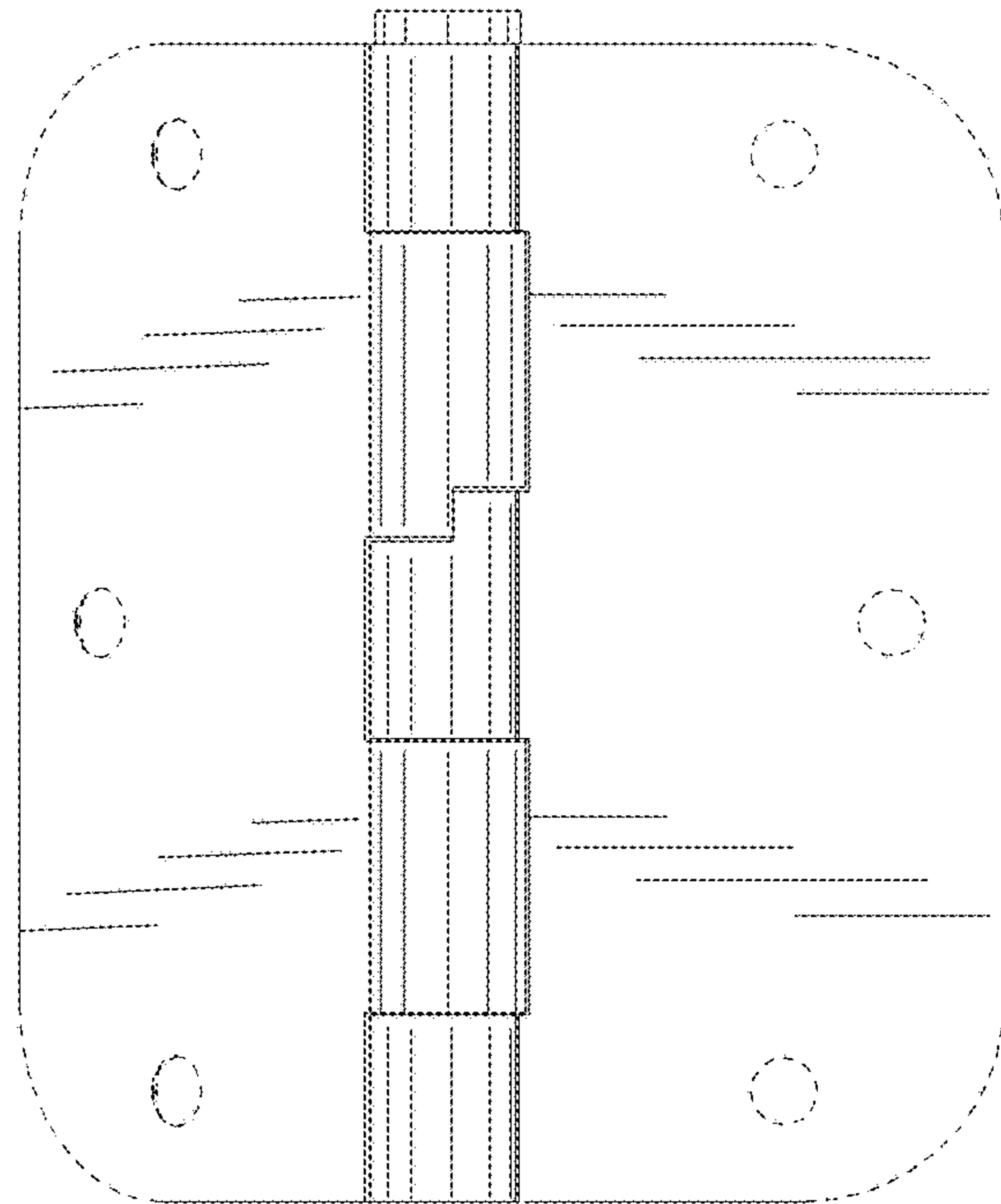
**FIG. 31**



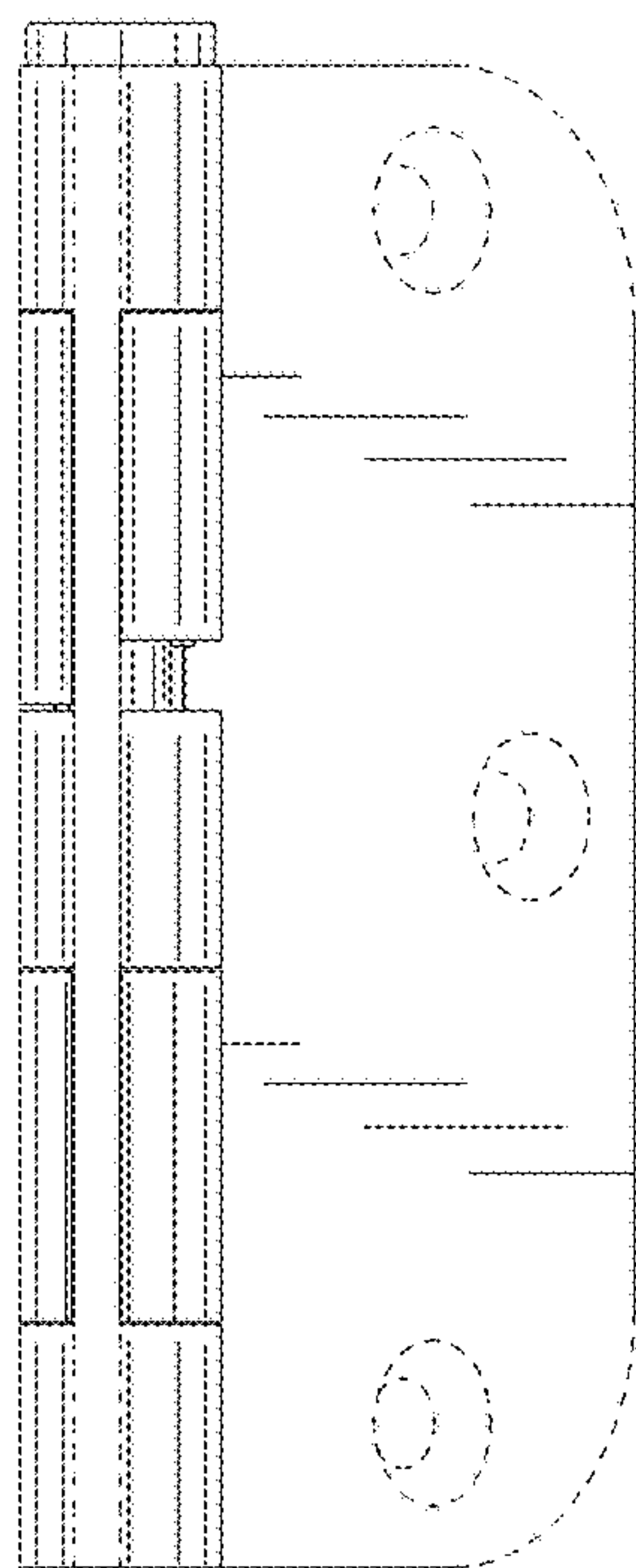
**FIG. 32**



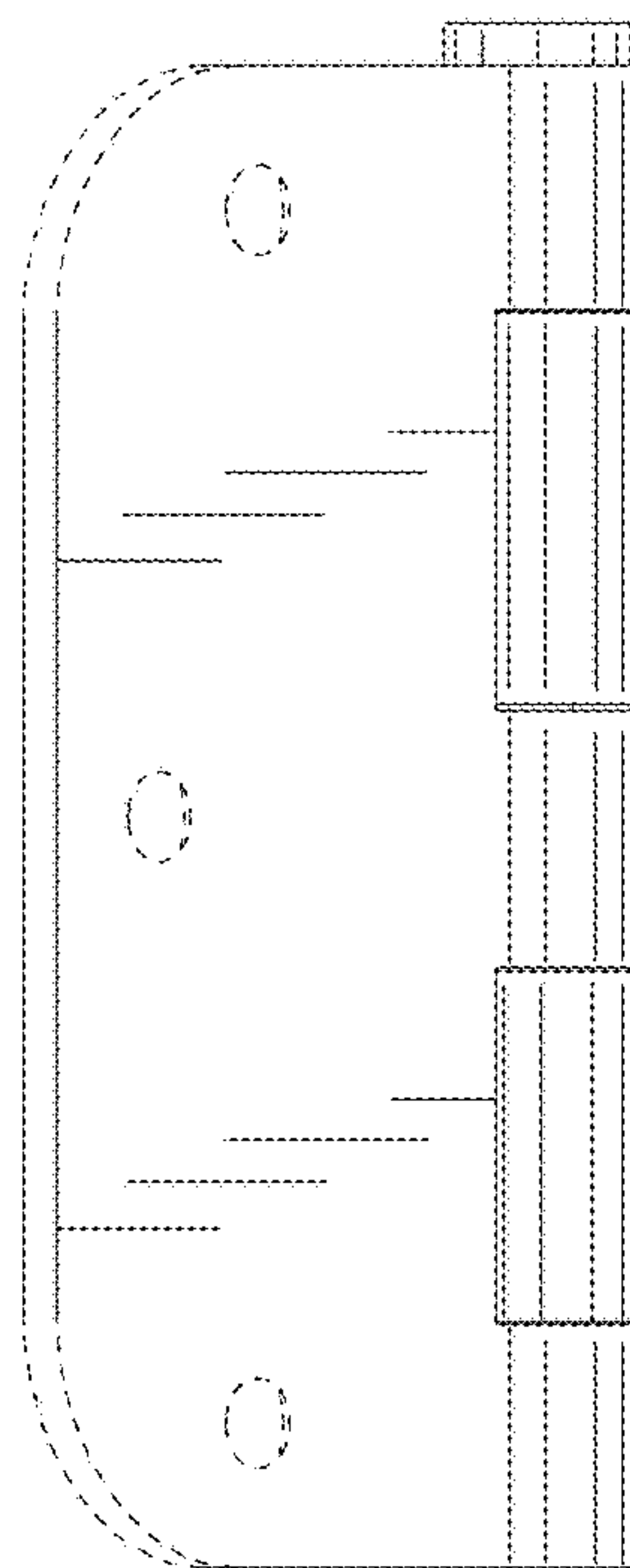
**FIG. 33**



**FIG. 34**

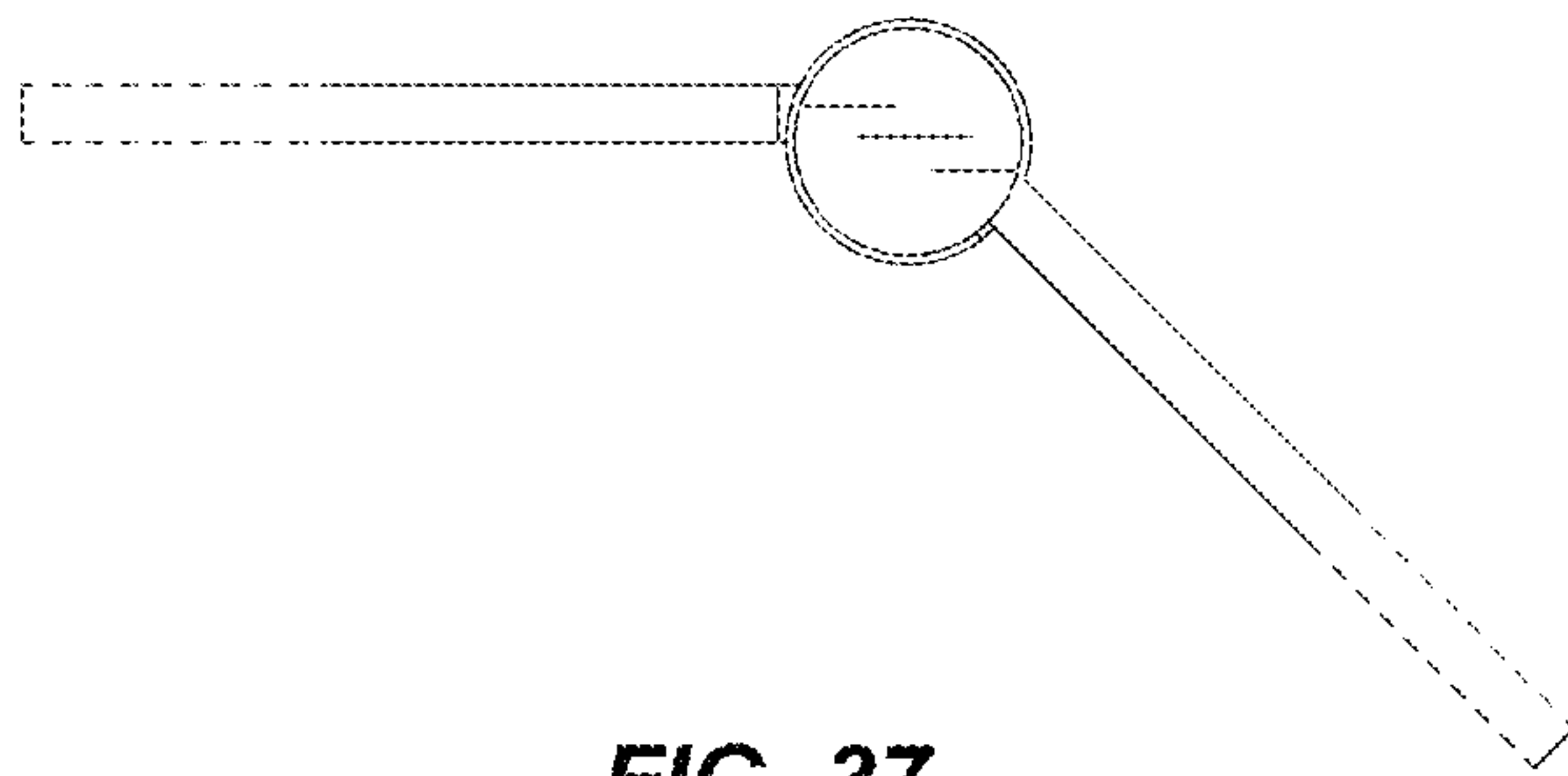


**FIG. 35**

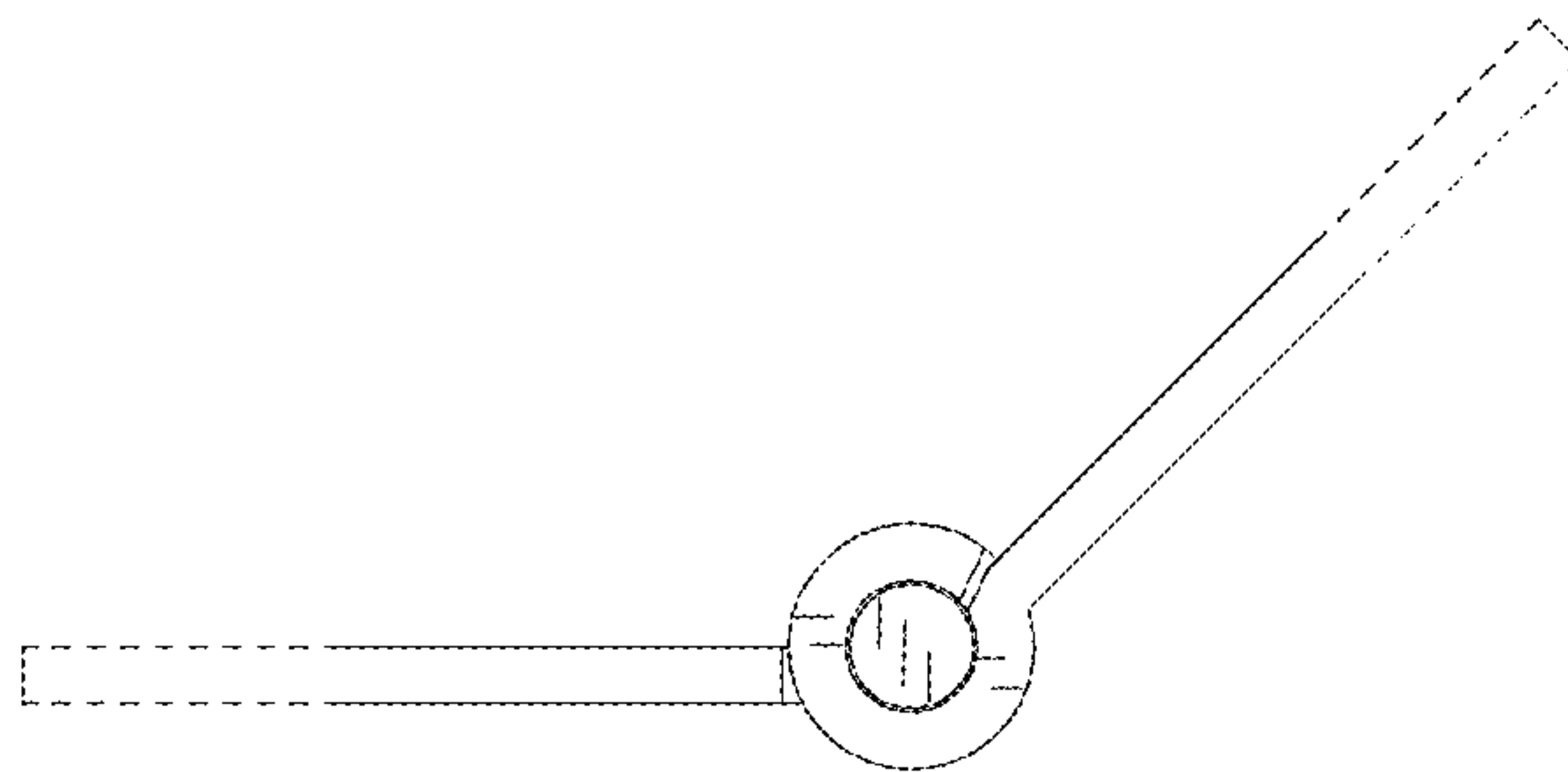


**FIG. 36**

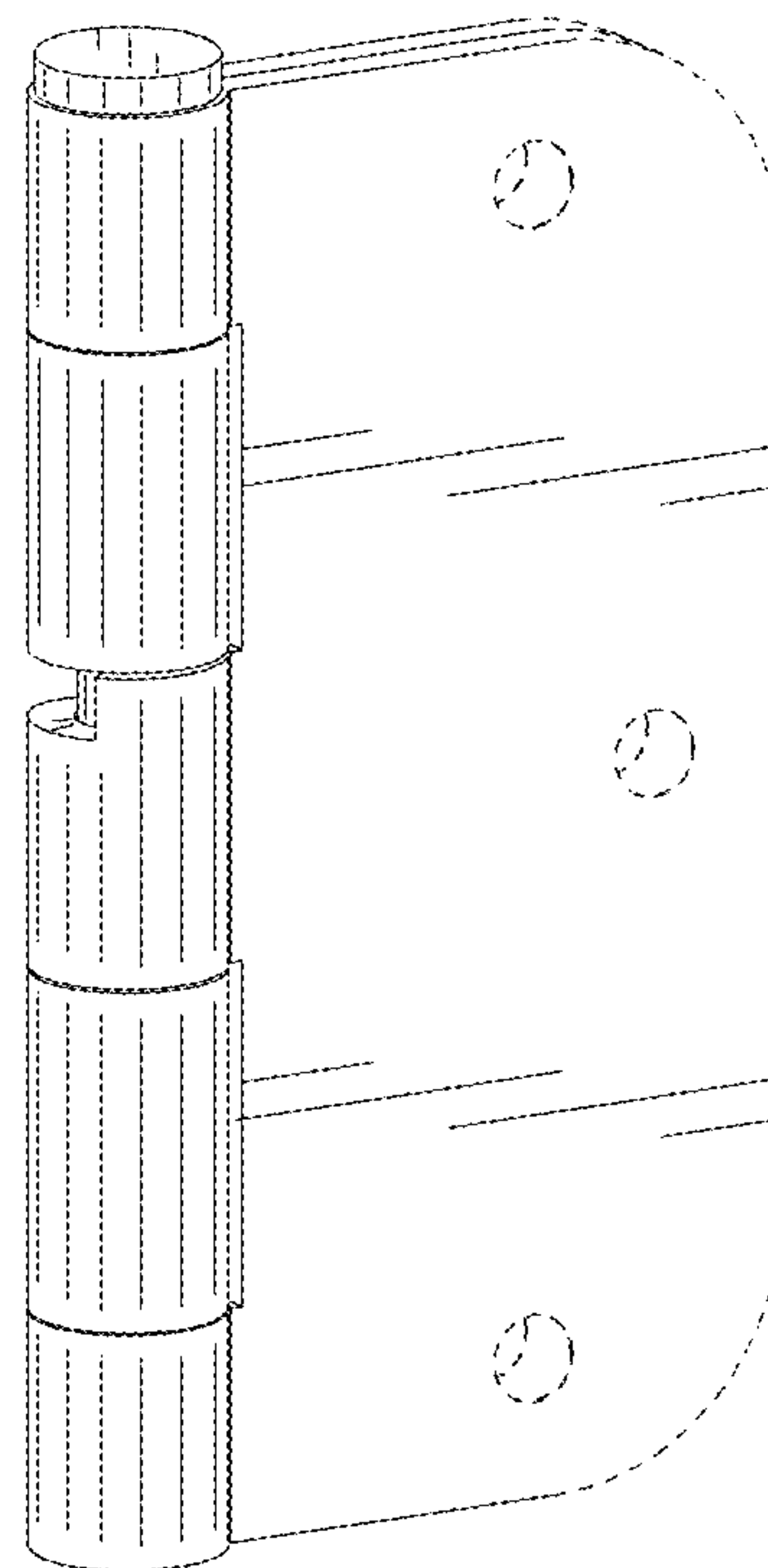




**FIG. 37**



**FIG. 38**



**FIG. 39**

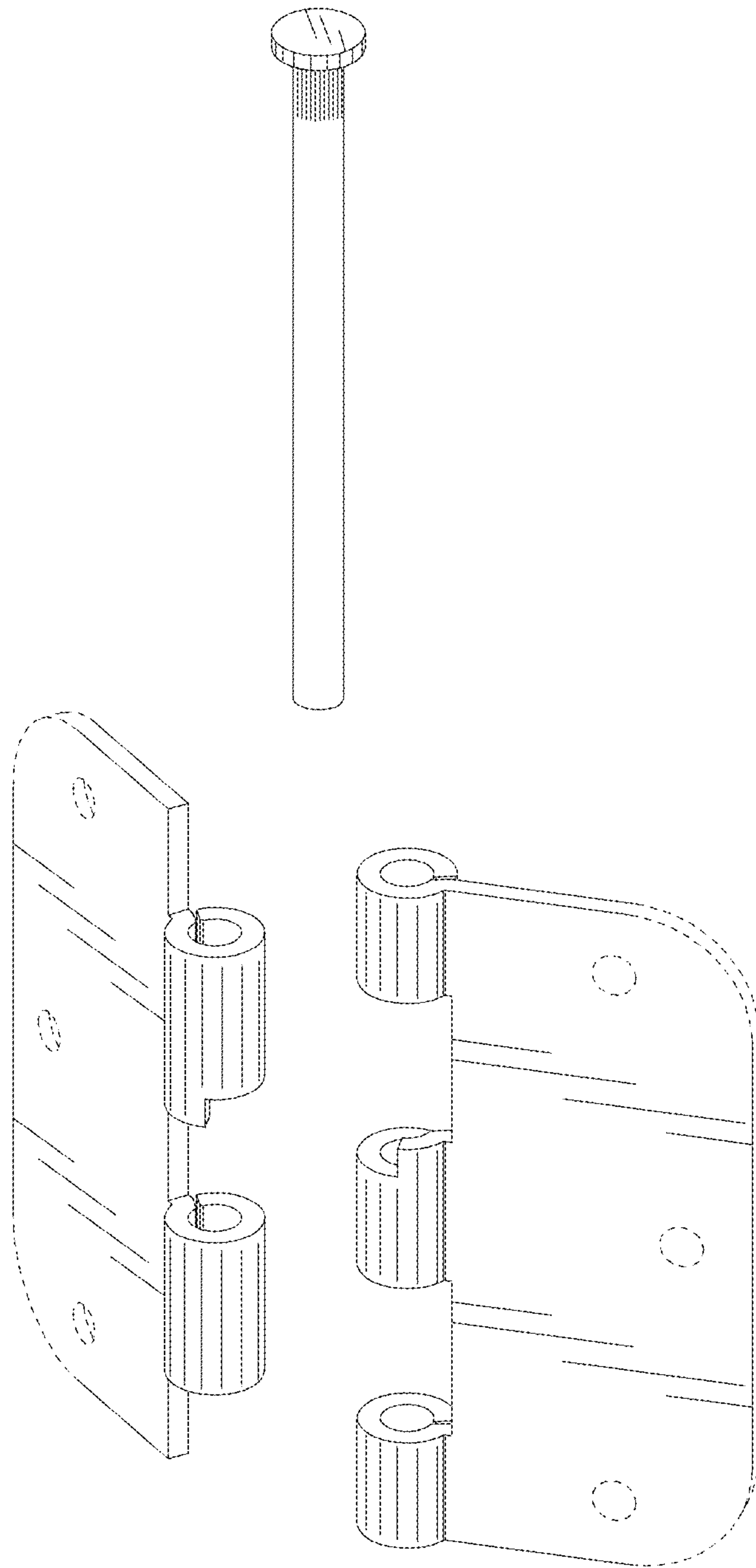
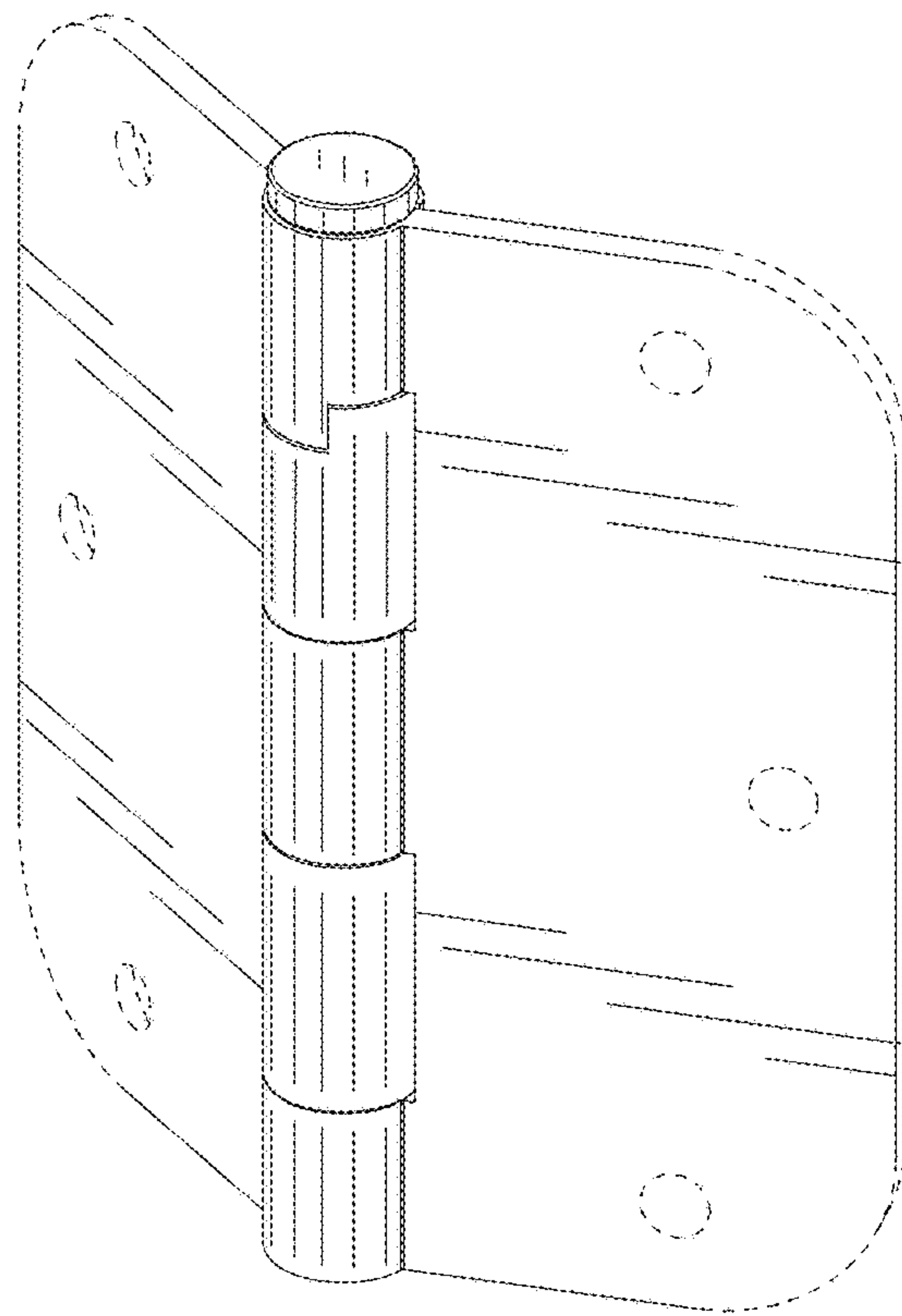
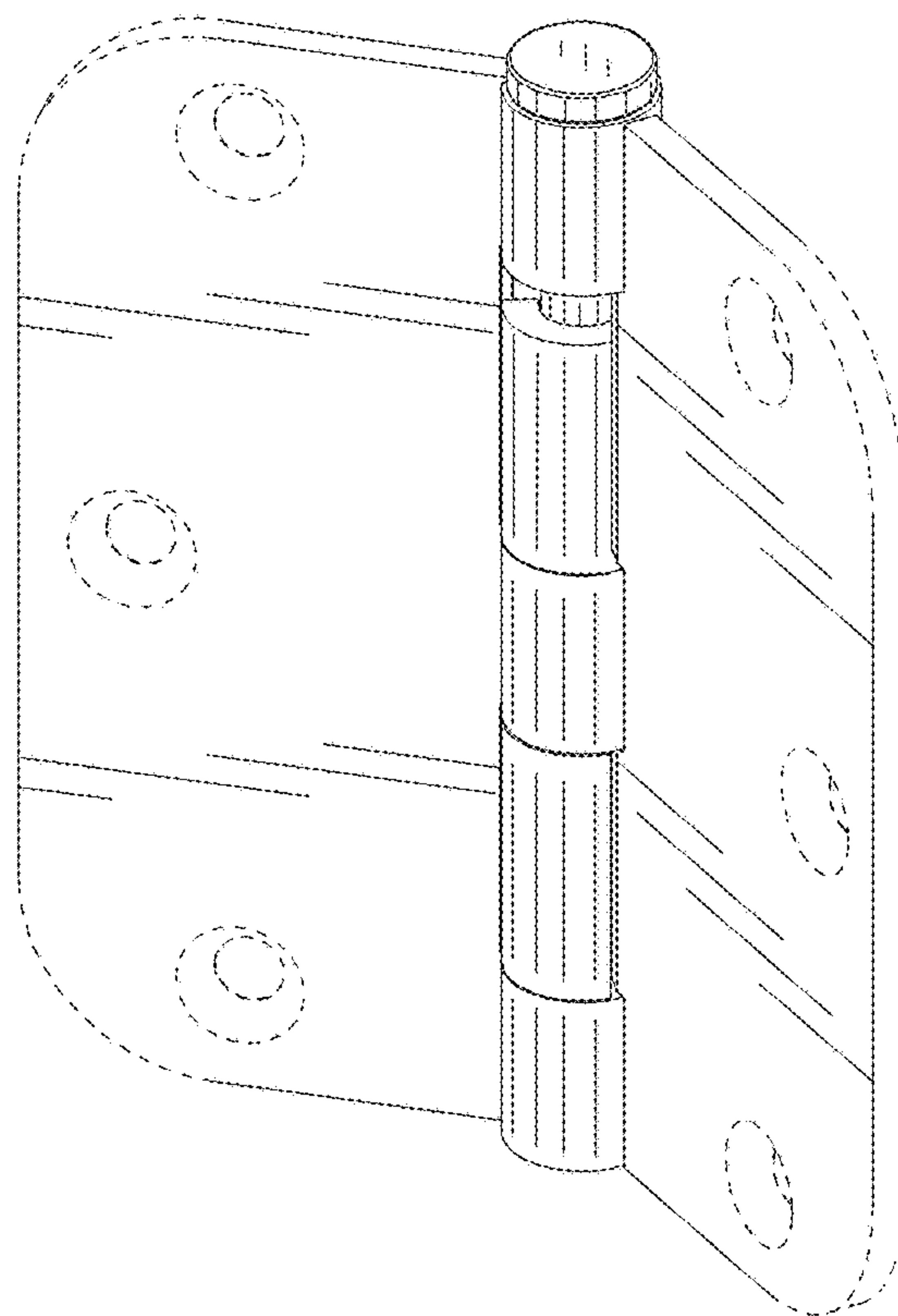


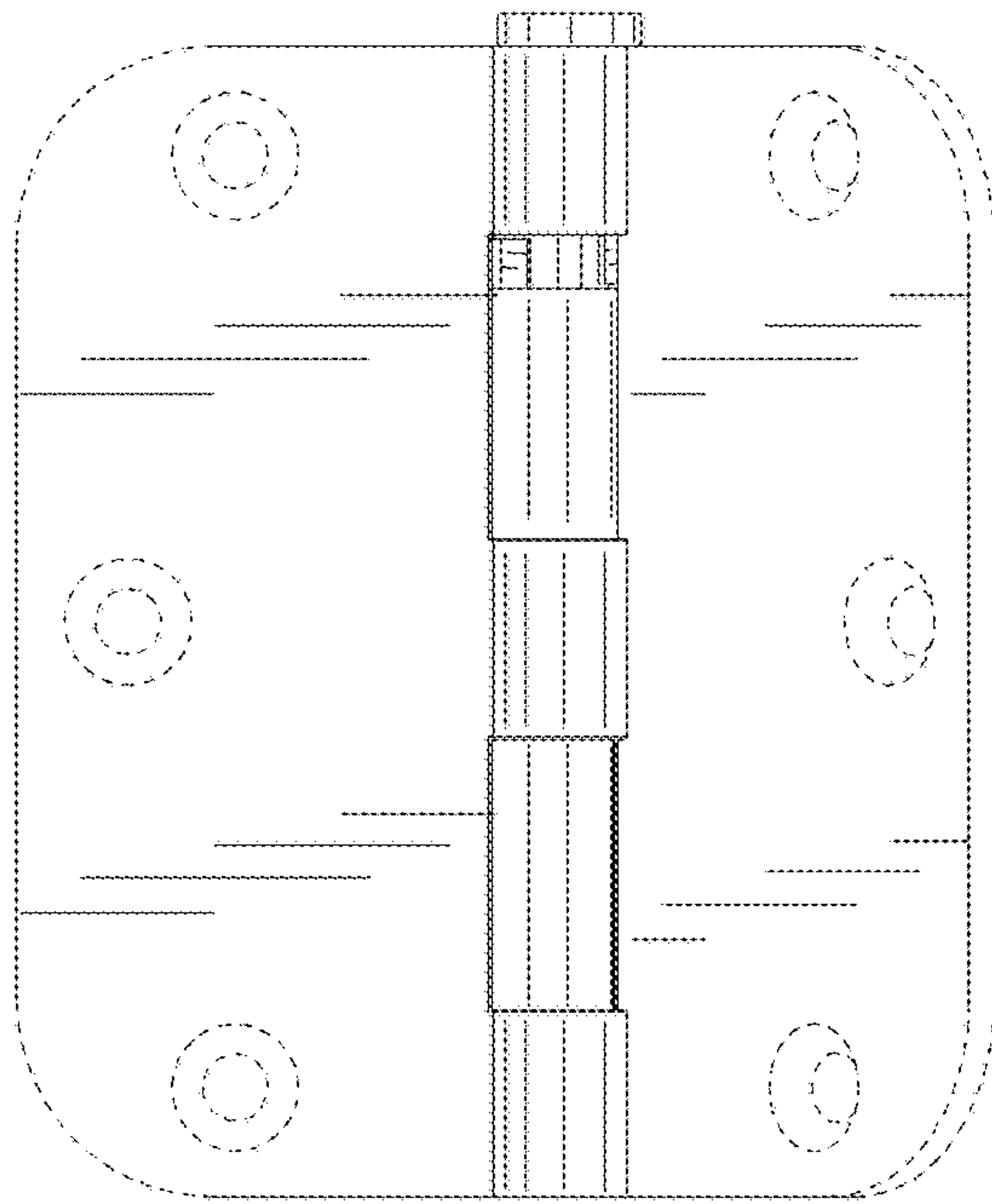
FIG. 40



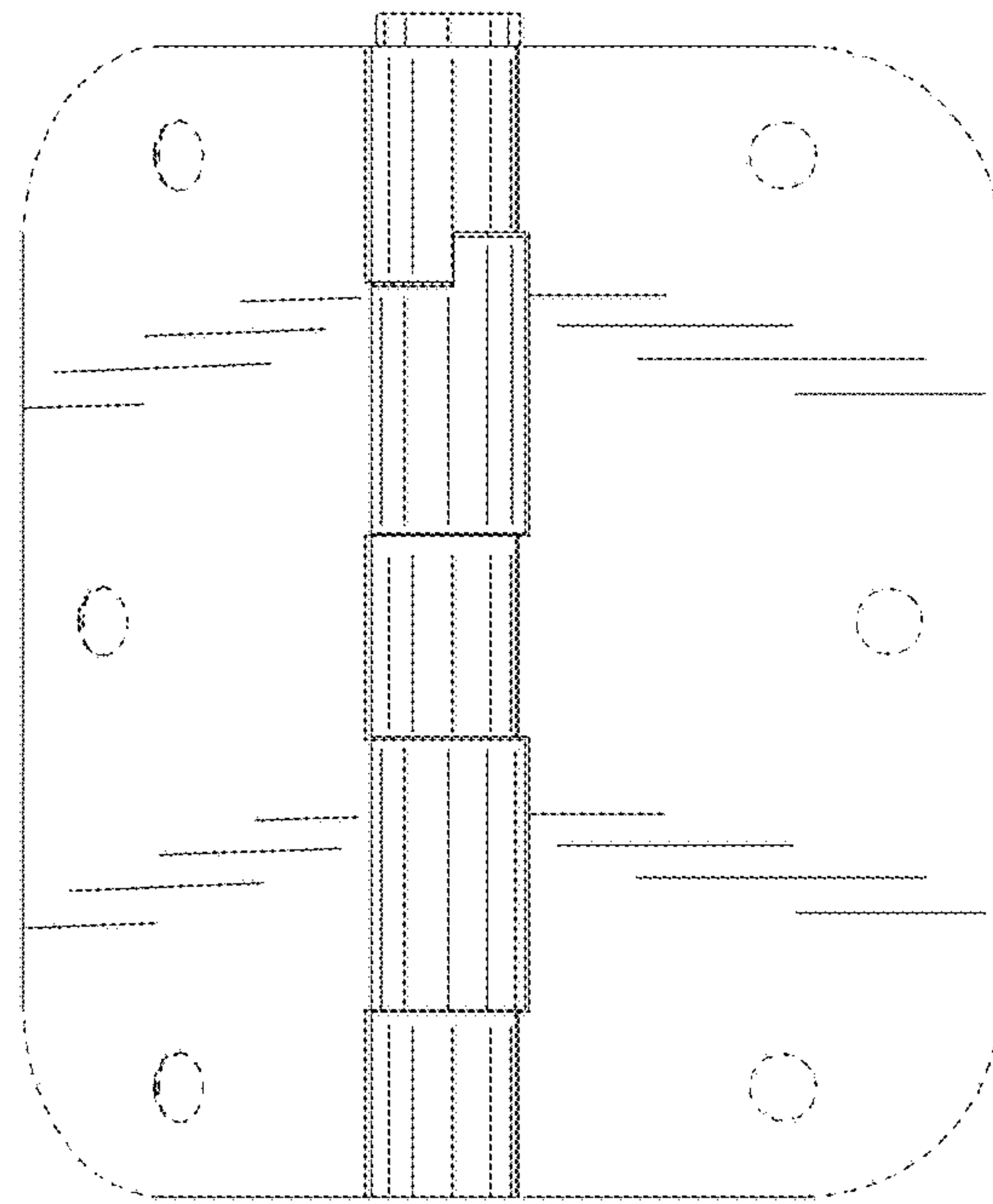
**FIG. 41**



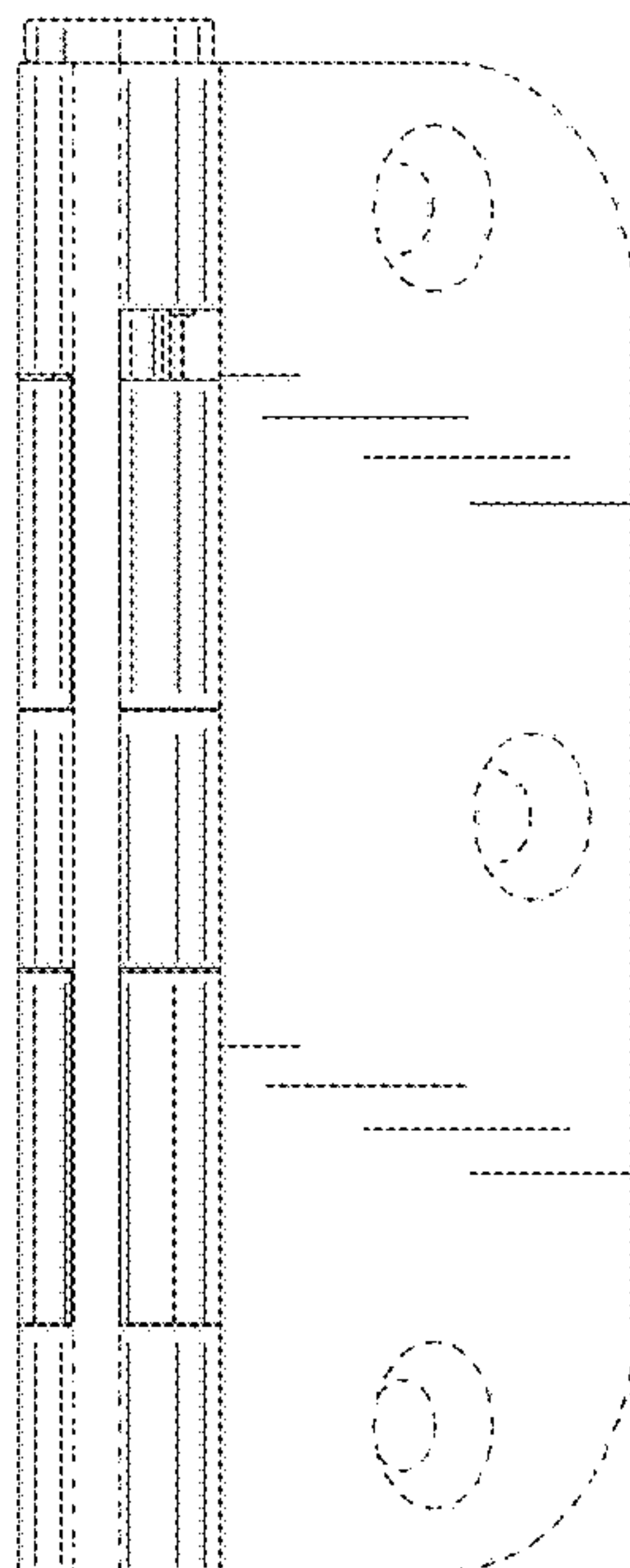
**FIG. 42**



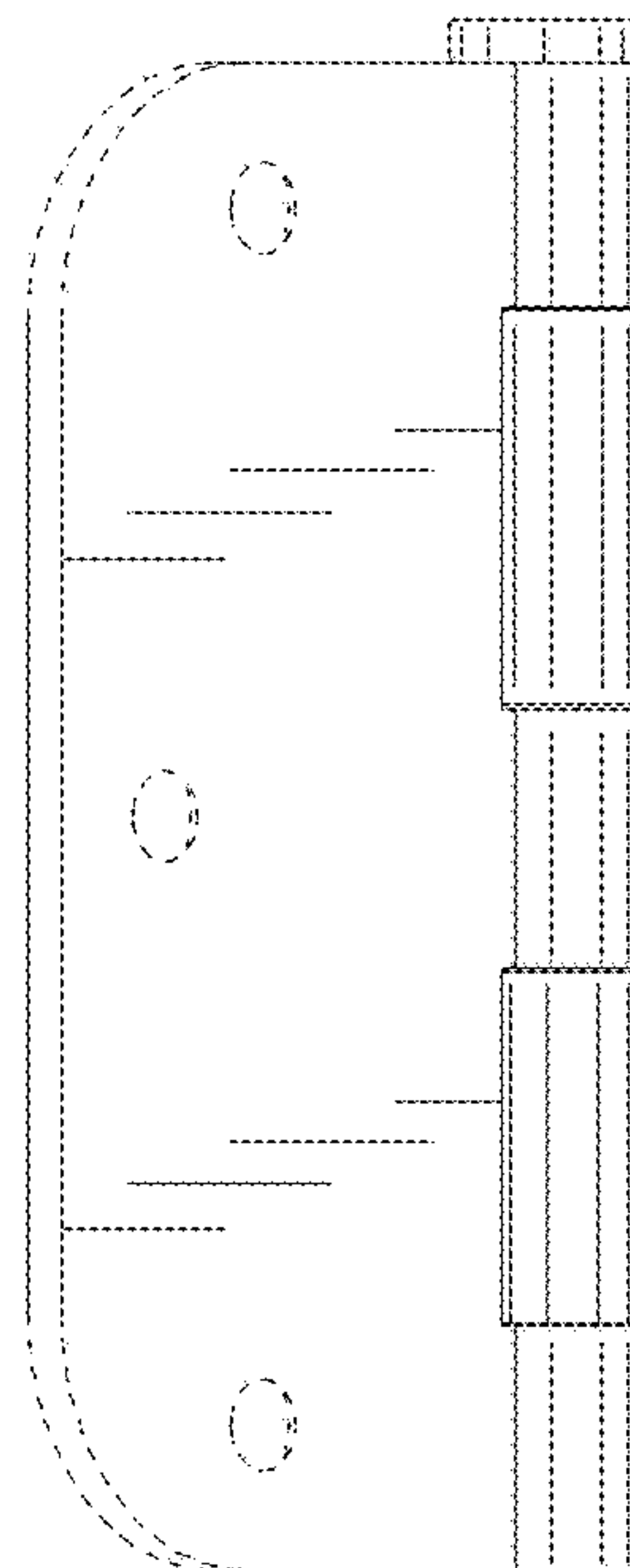
**FIG. 43**



**FIG. 44**

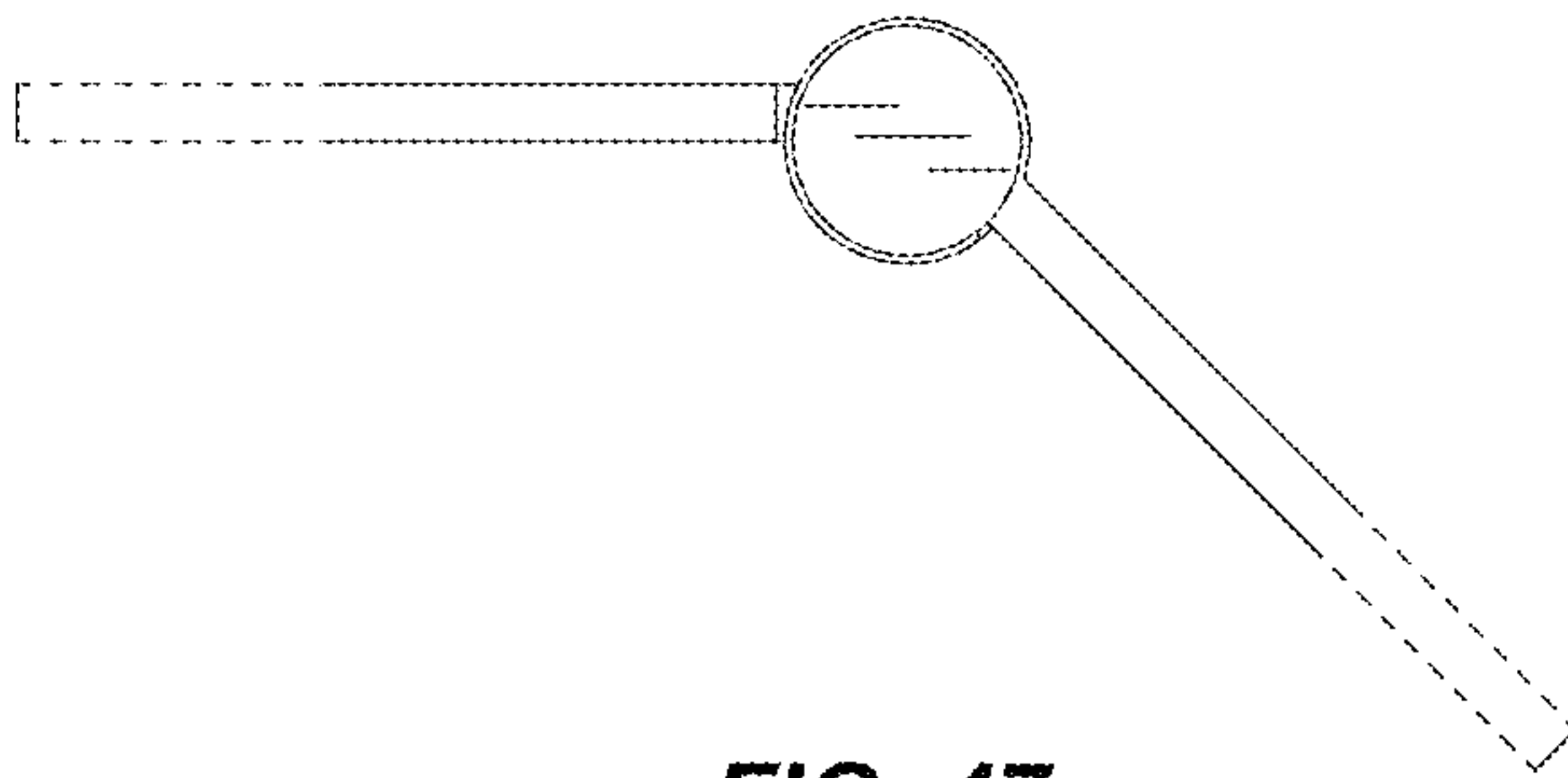


**FIG. 45**

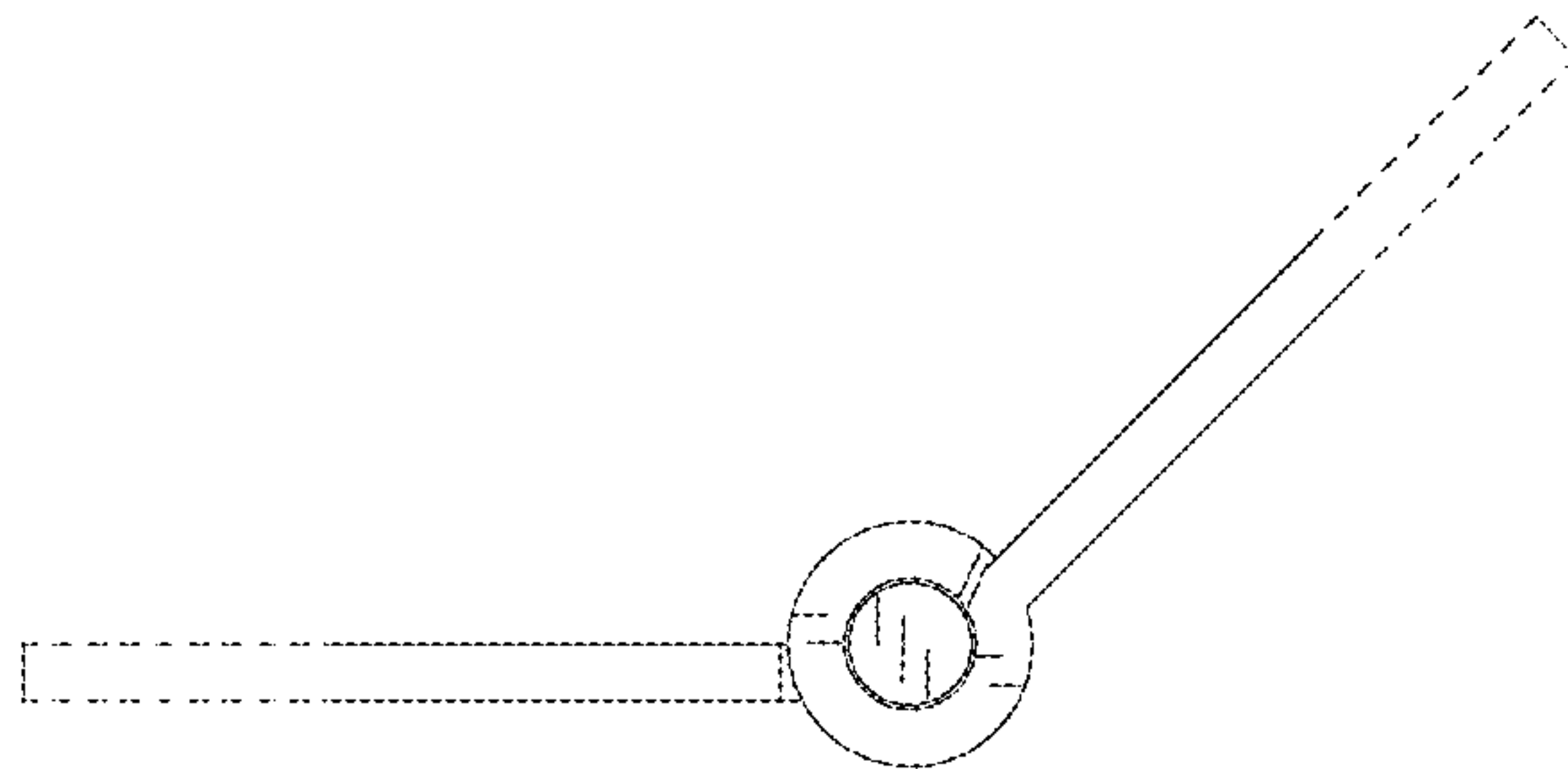


**FIG. 46**

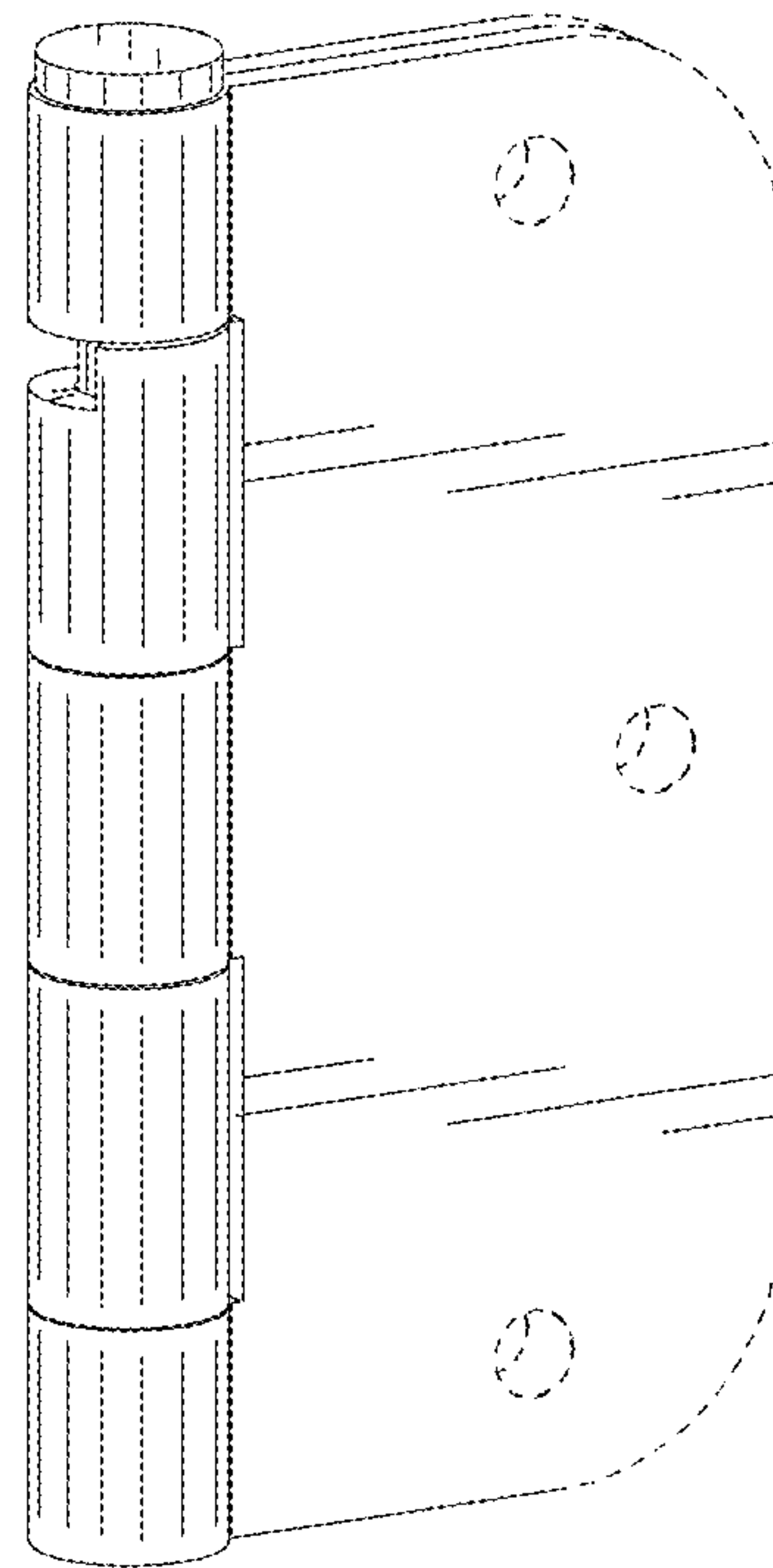




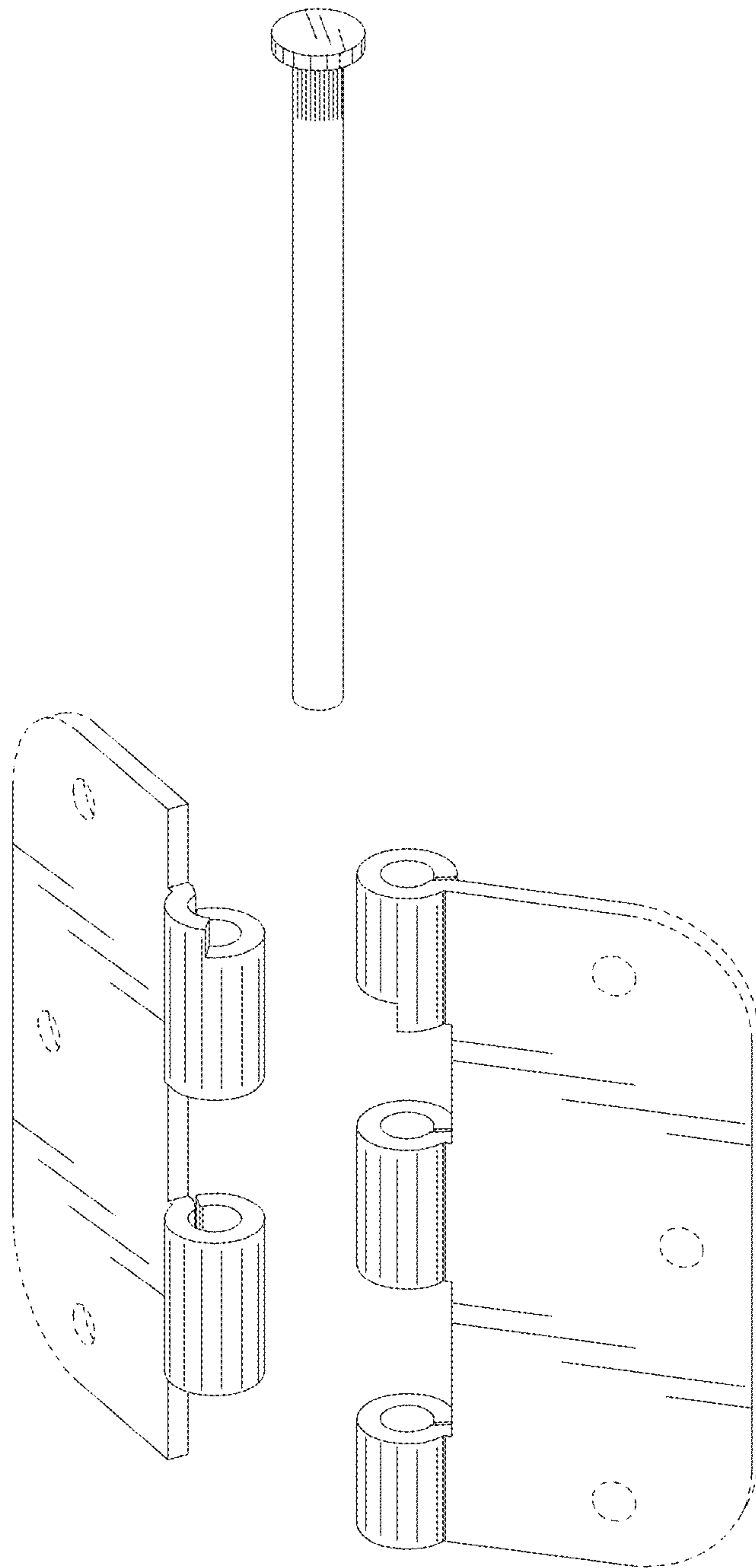
**FIG. 47**



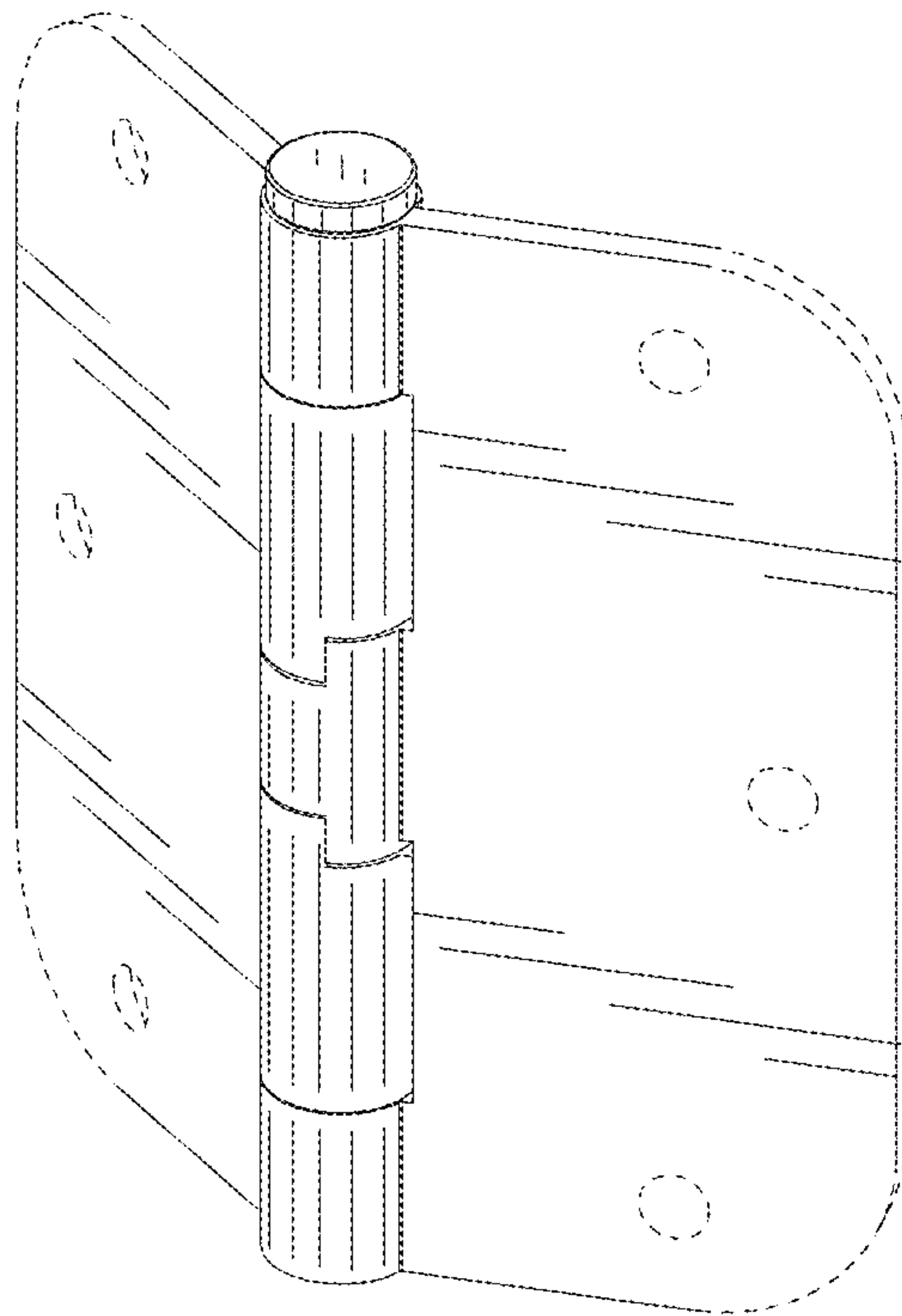
**FIG. 48**



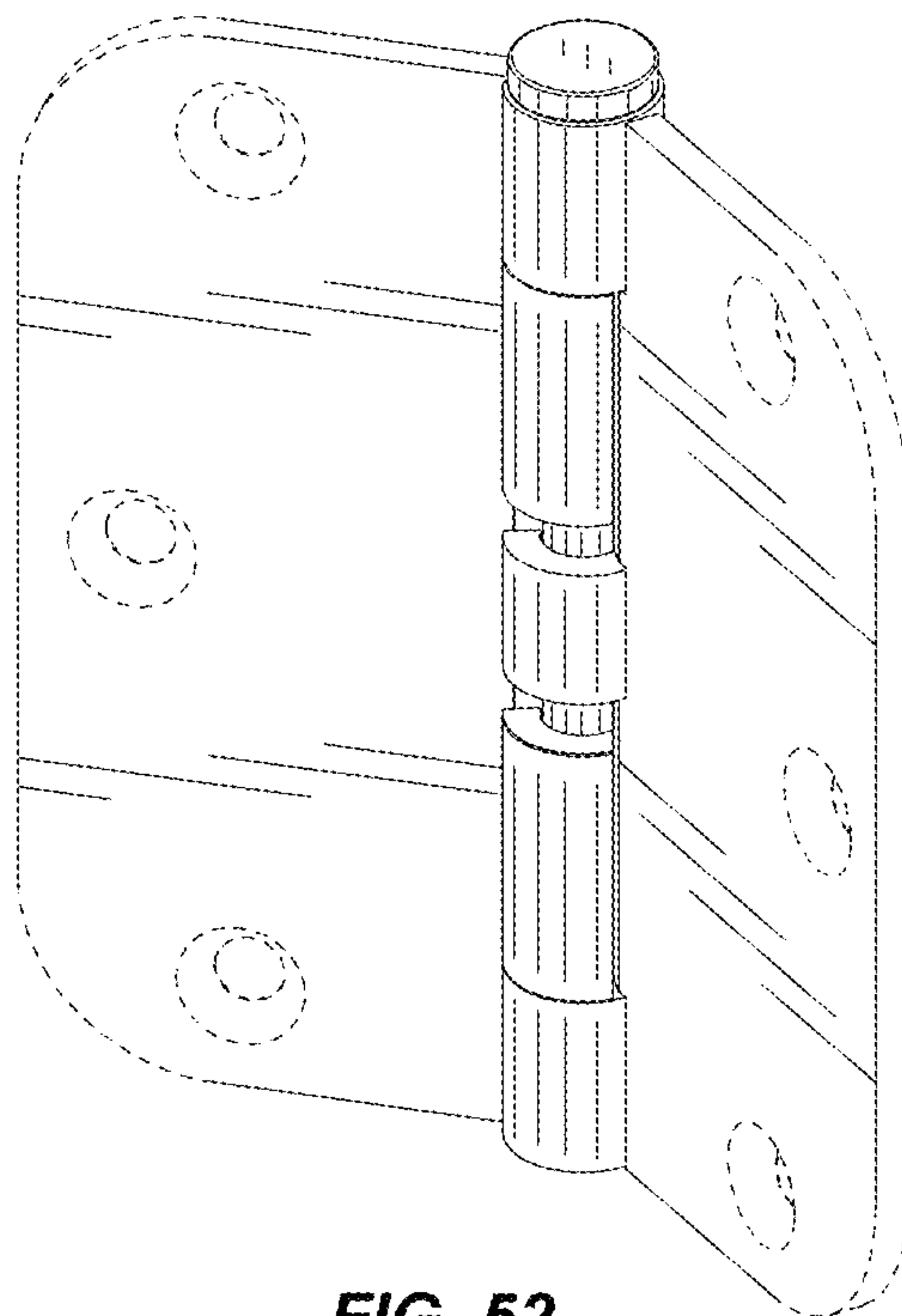
**FIG. 49**



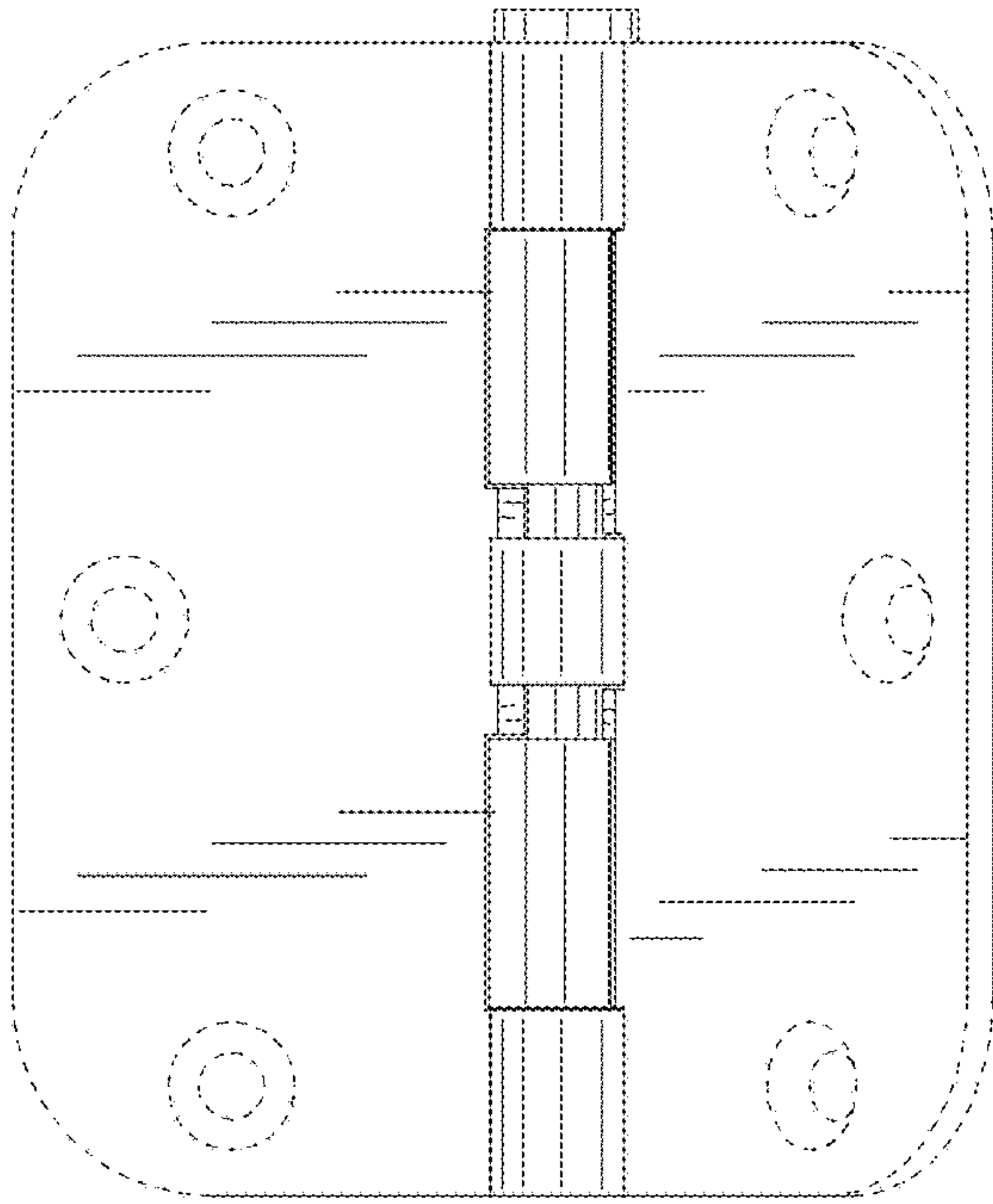
**FIG. 50**



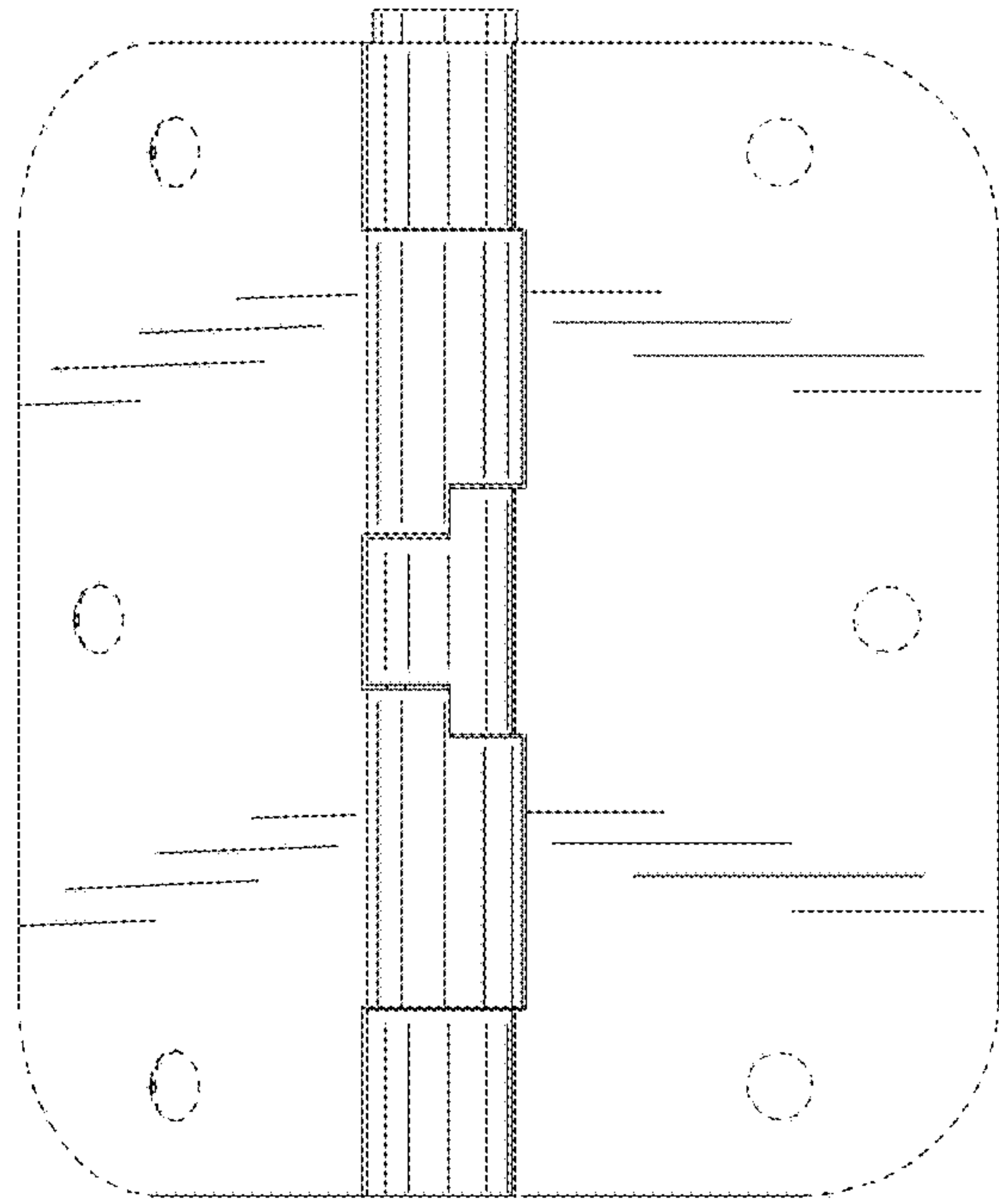
**FIG. 51**



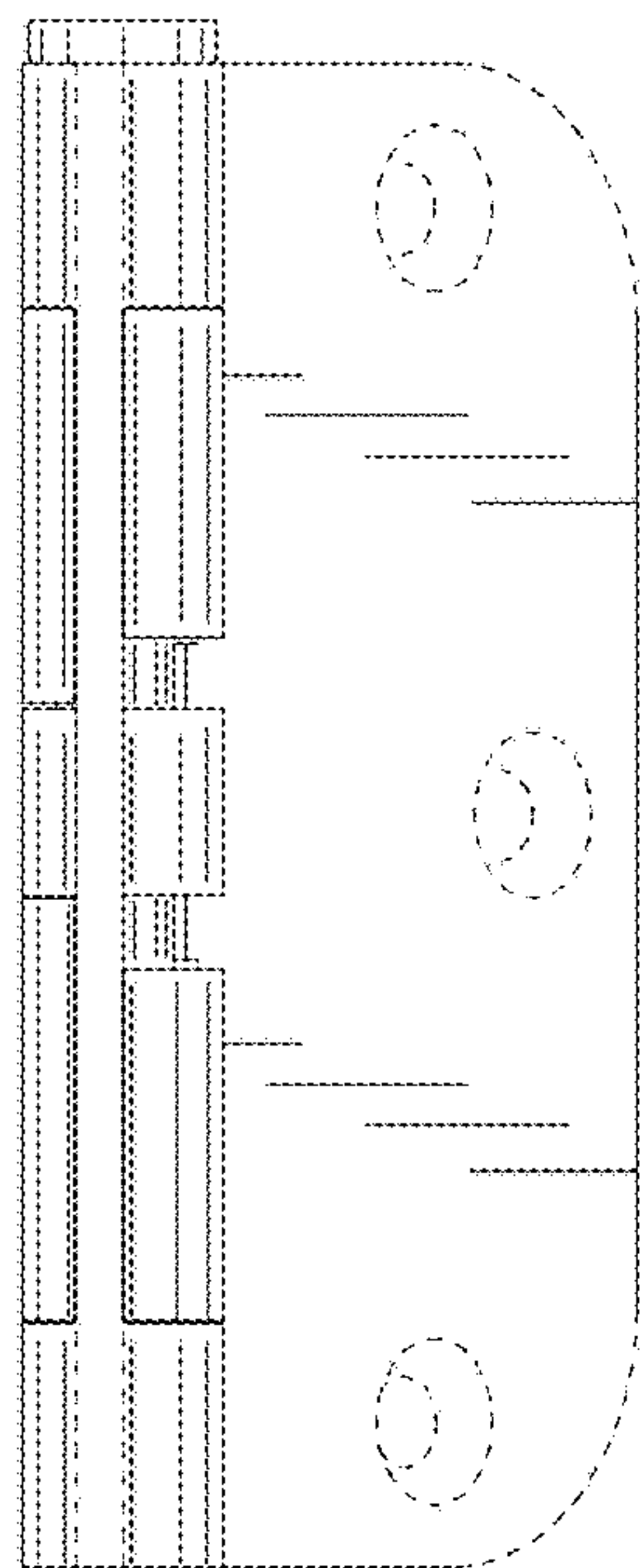
**FIG. 52**



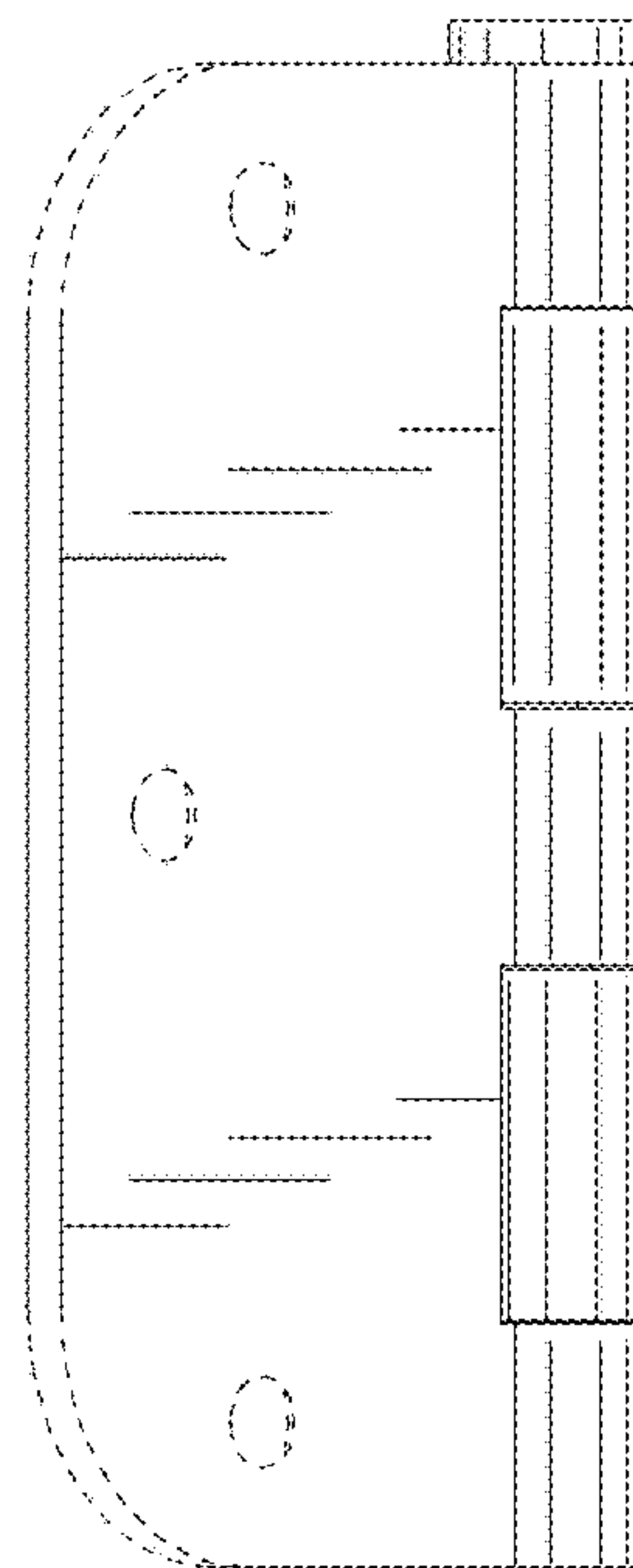
**FIG. 53**



**FIG. 54**

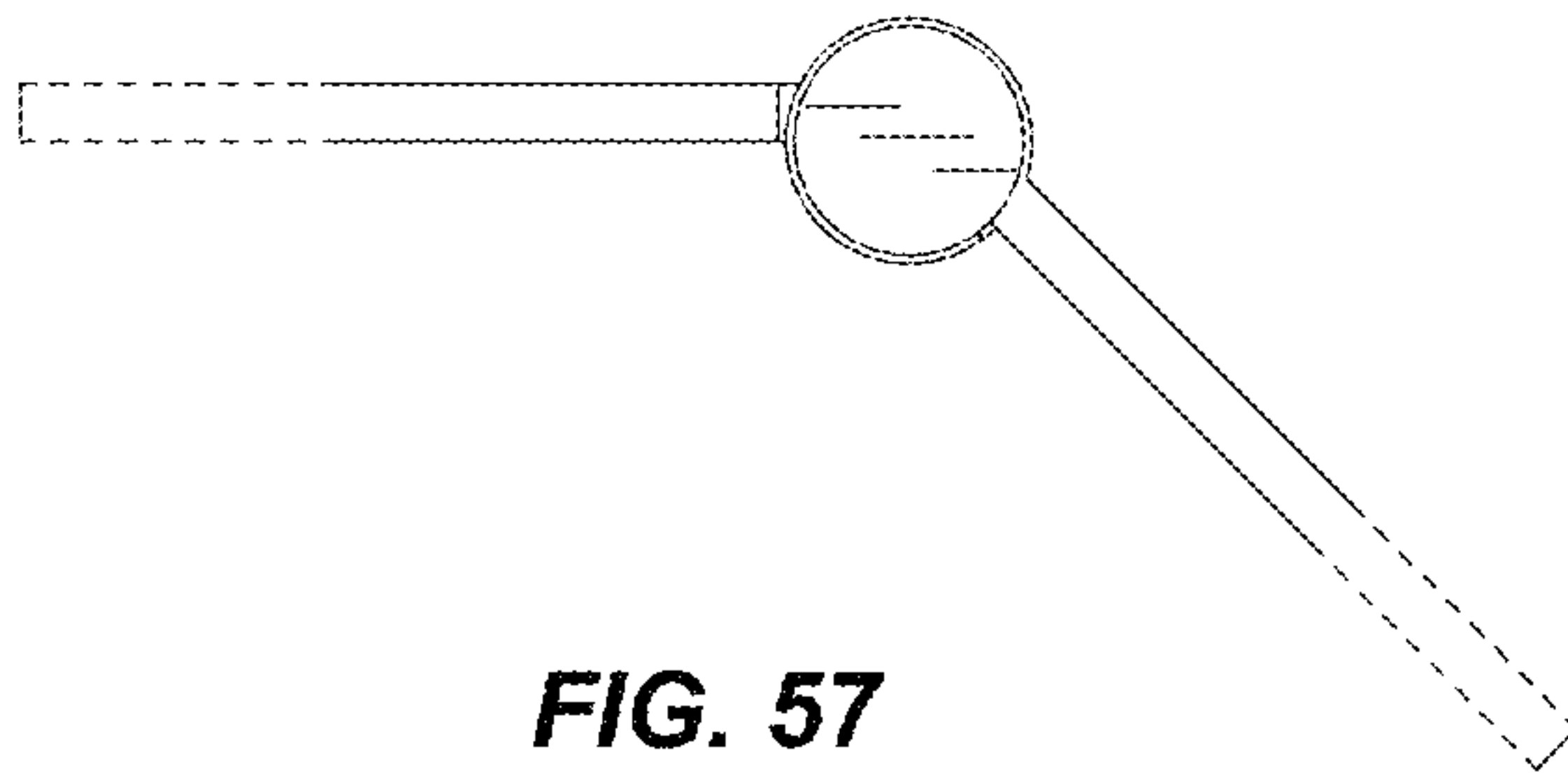


**FIG. 55**

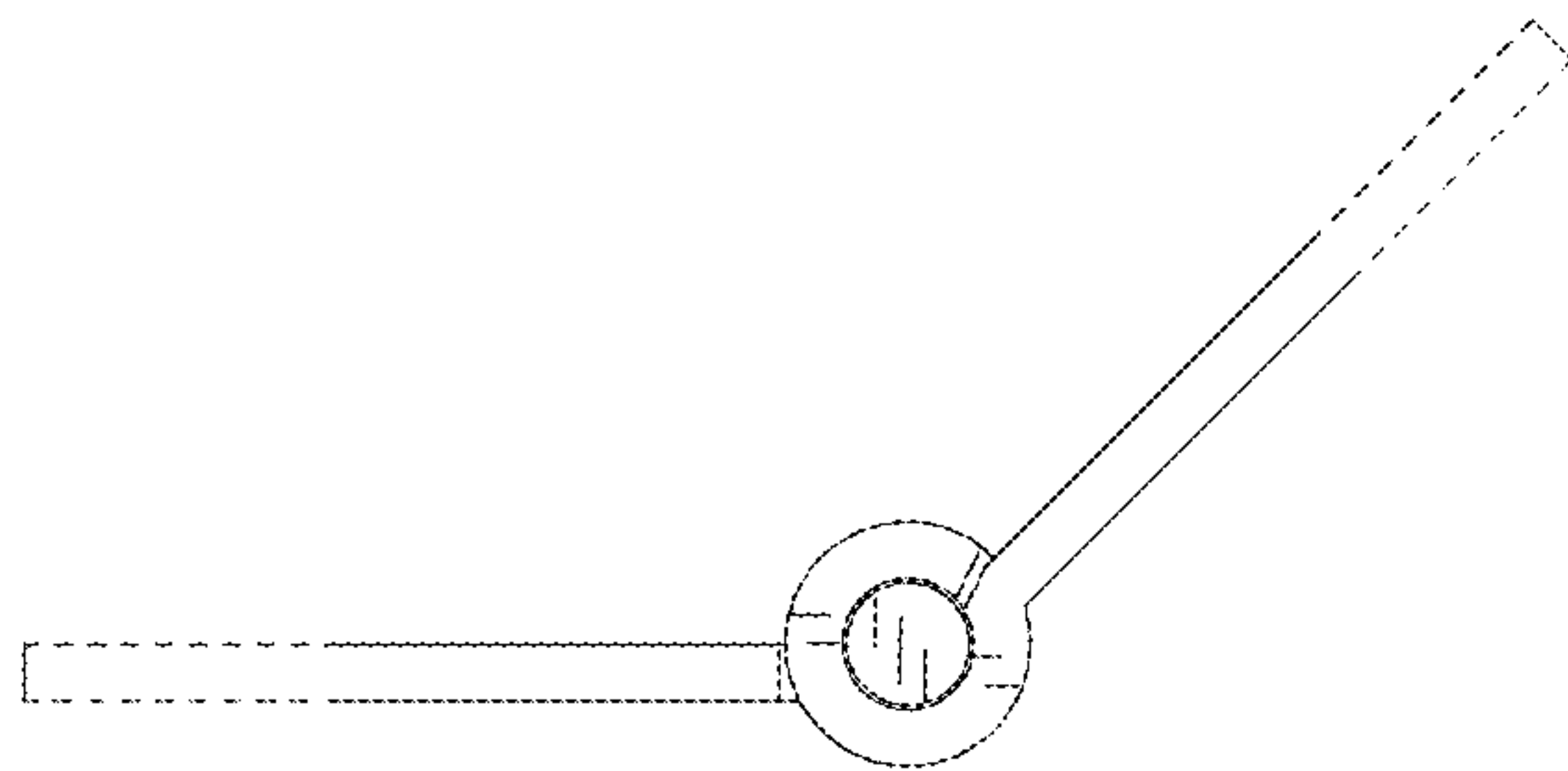


**FIG. 56**

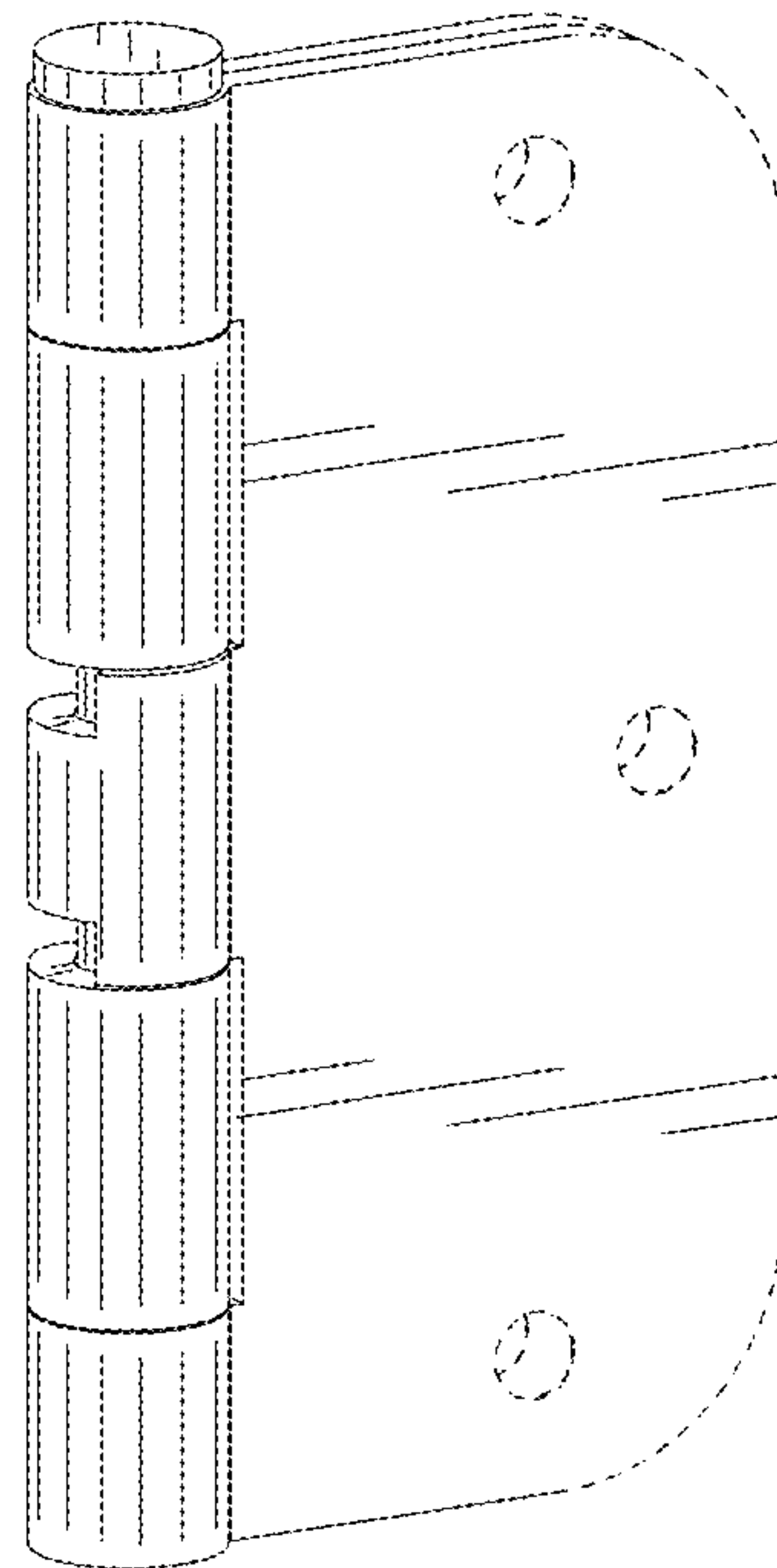




**FIG. 57**



**FIG. 58**



**FIG. 59**

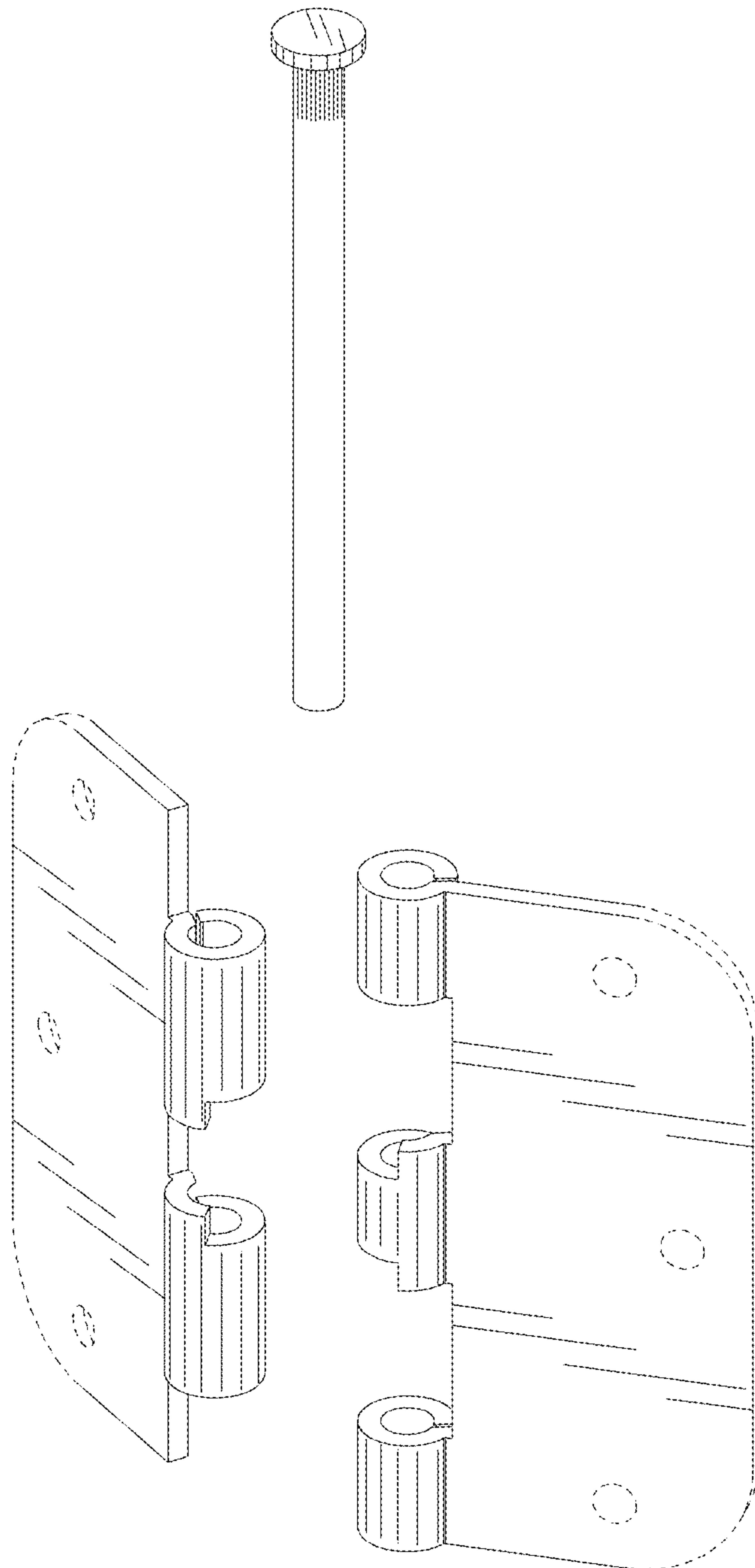
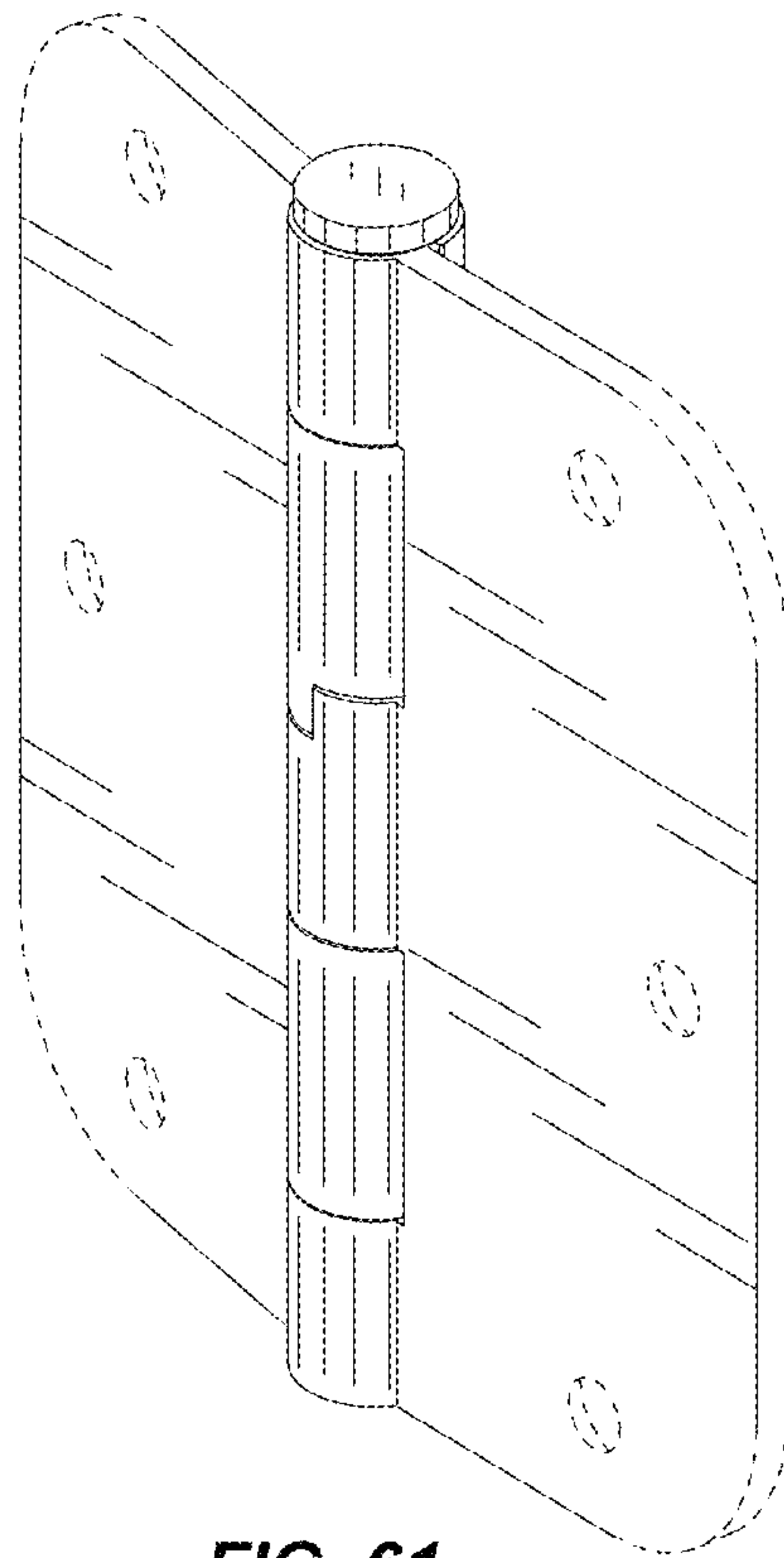
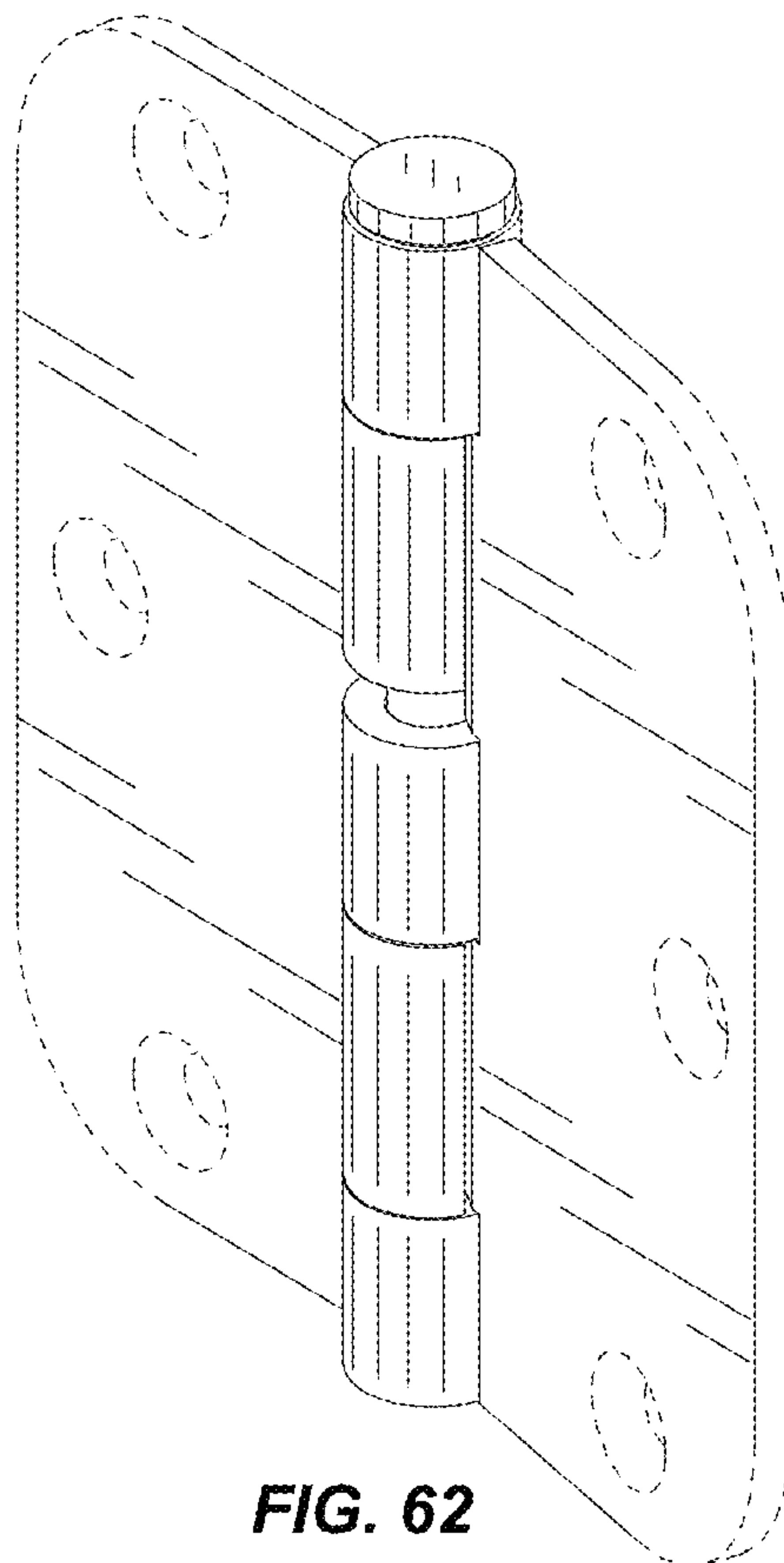


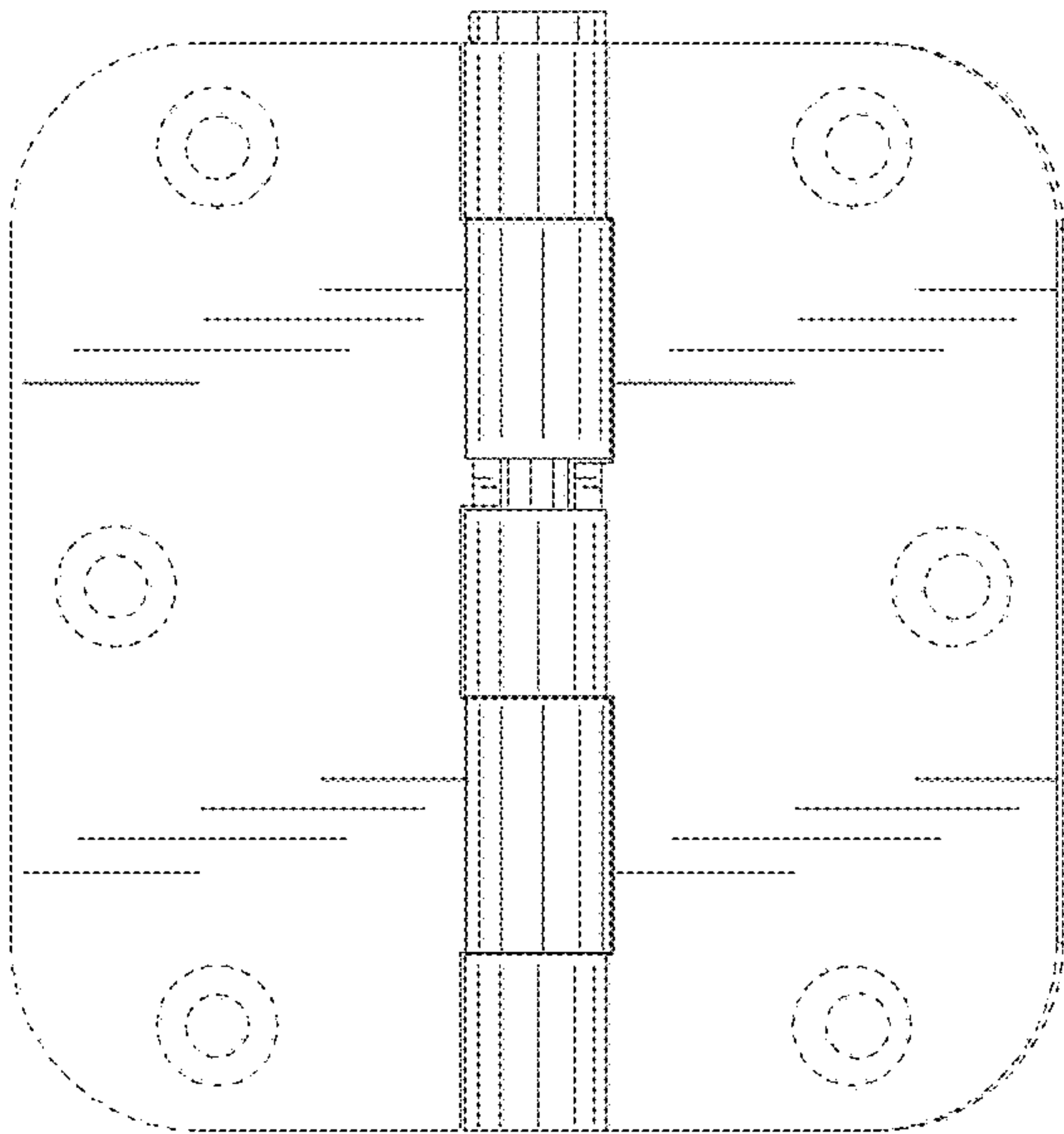
FIG. 60



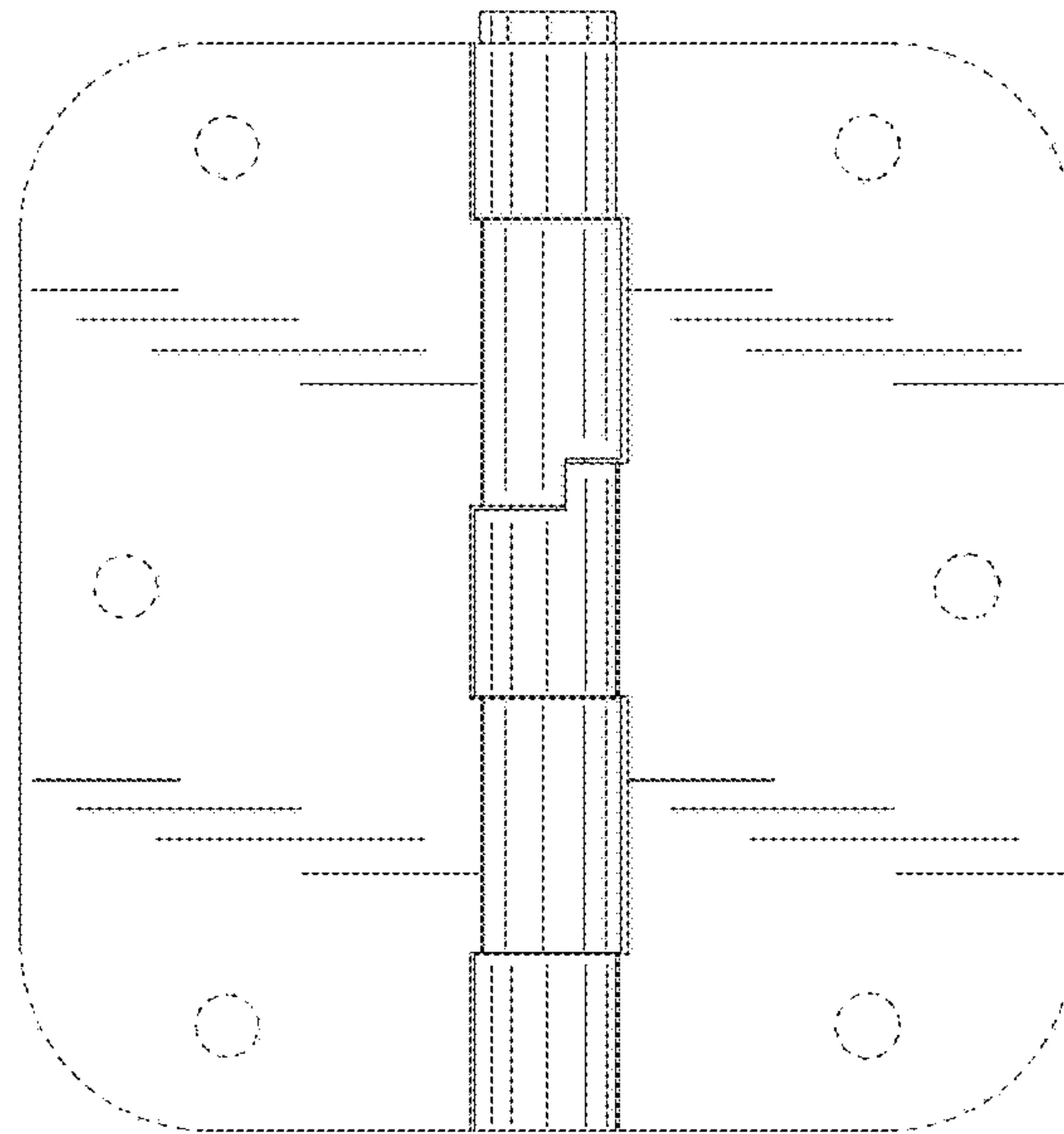
**FIG. 61**



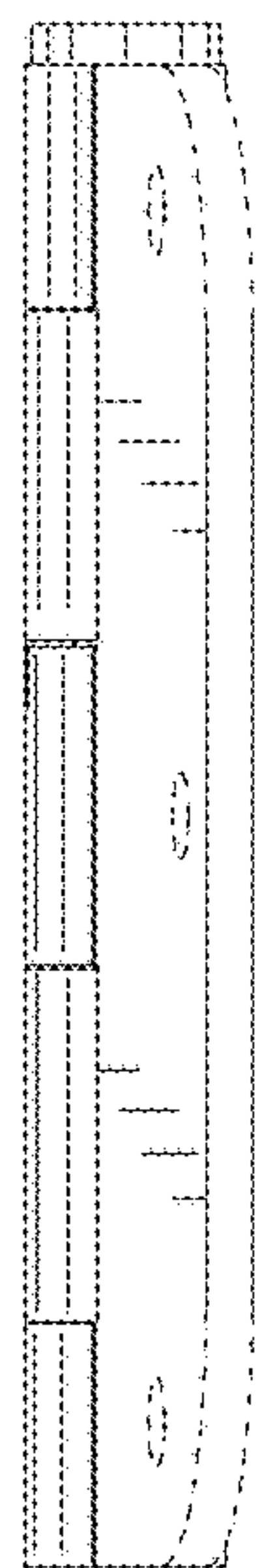
**FIG. 62**



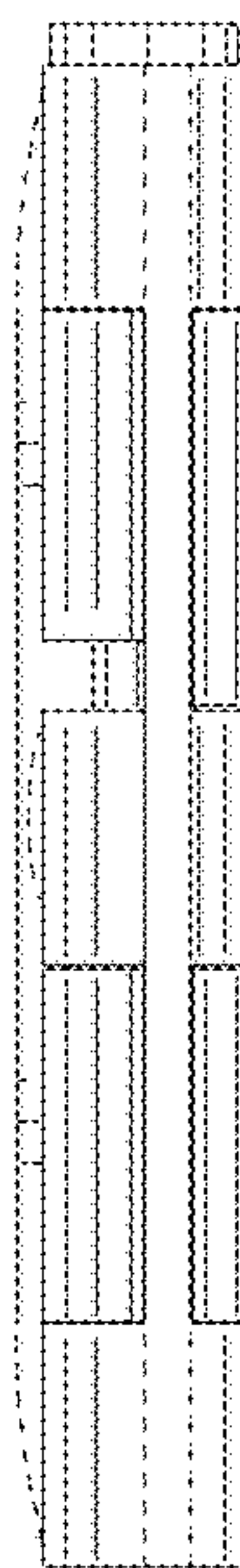
**FIG. 63**



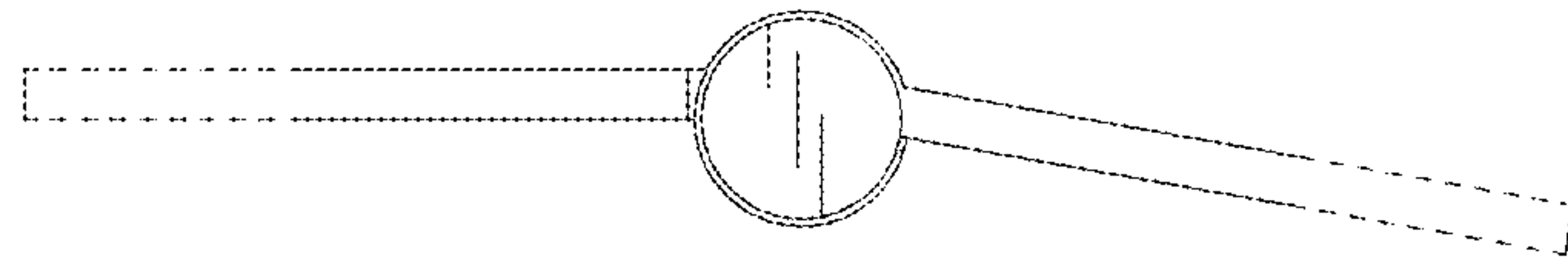
**FIG. 64**



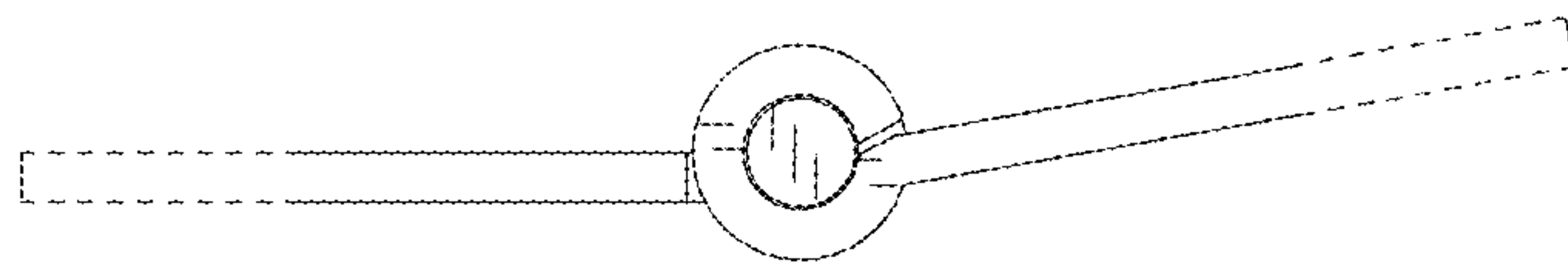
**FIG. 65**



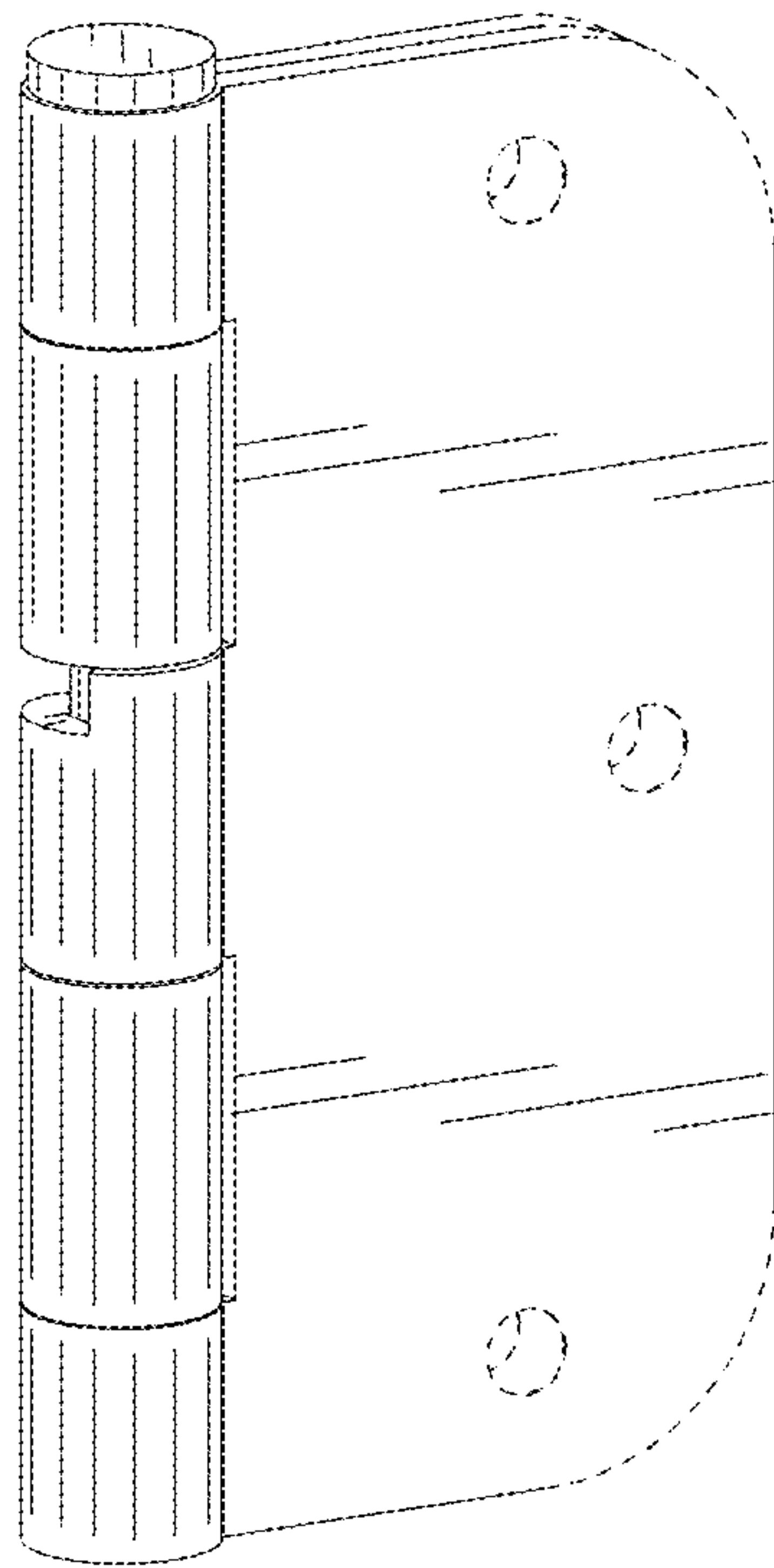
**FIG. 66**



**FIG. 67**

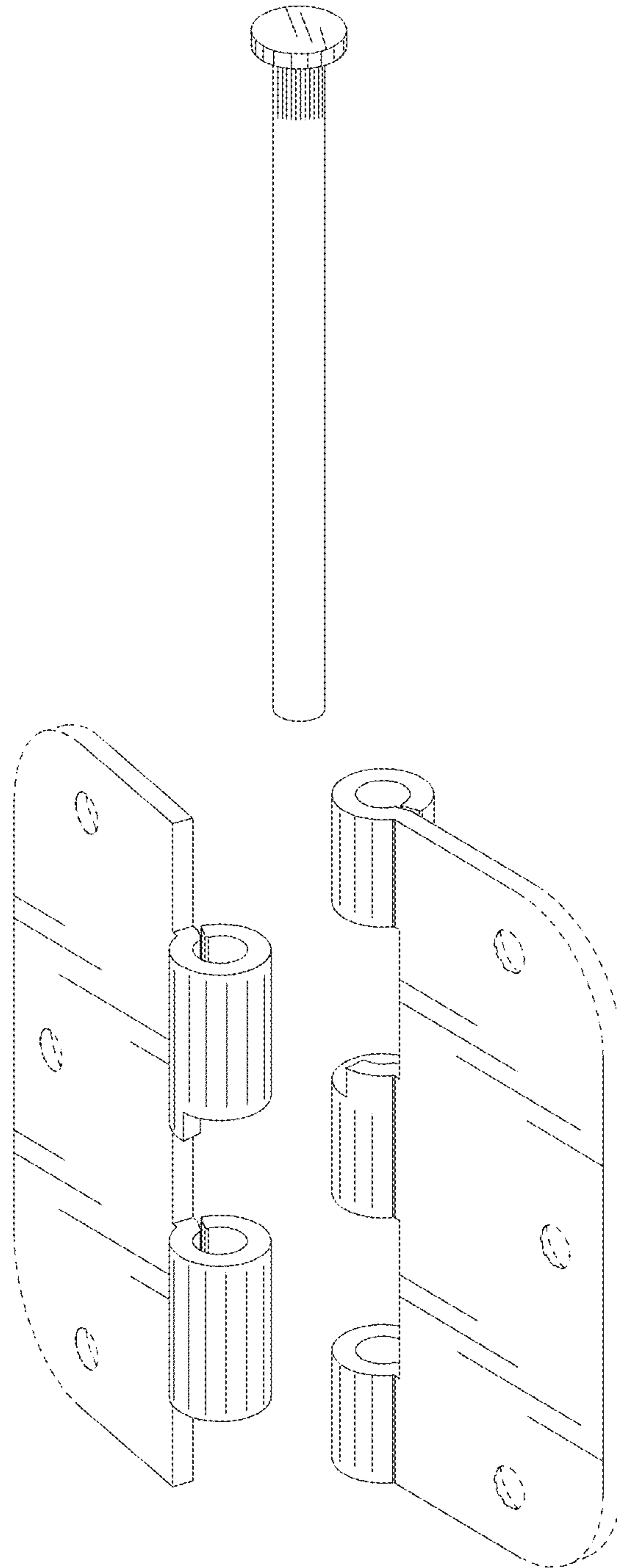


**FIG. 68**

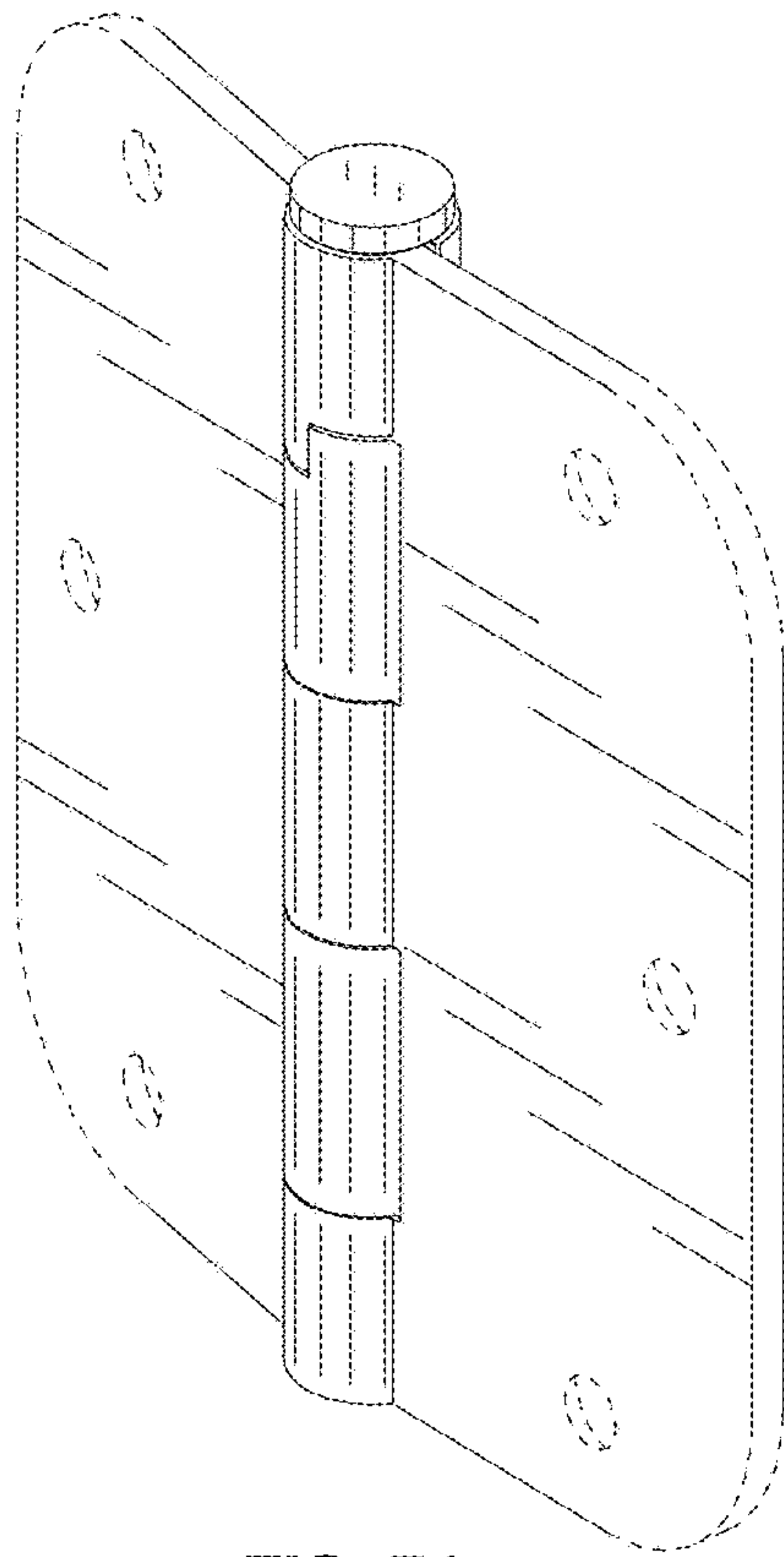


**FIG. 69**

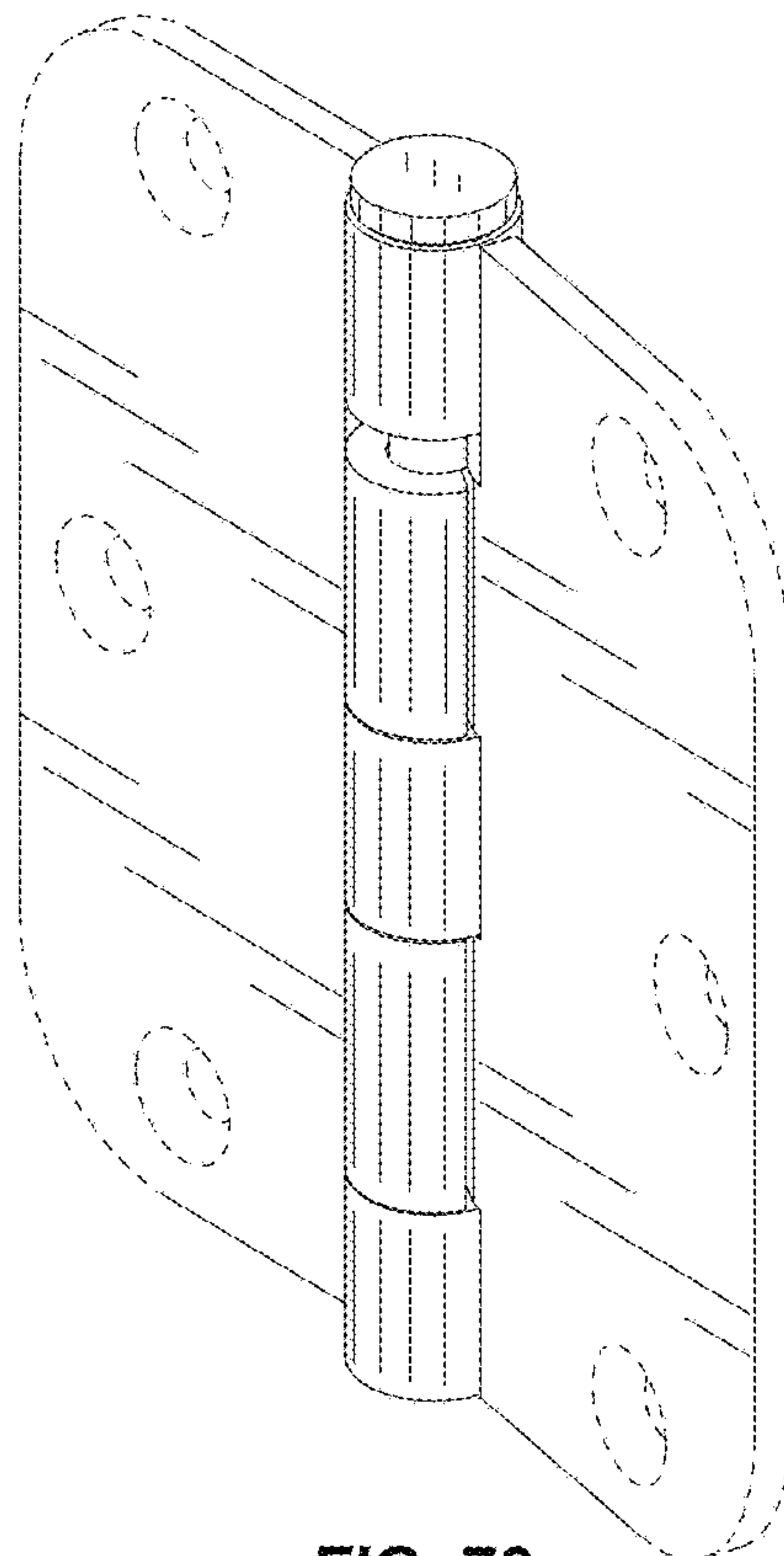




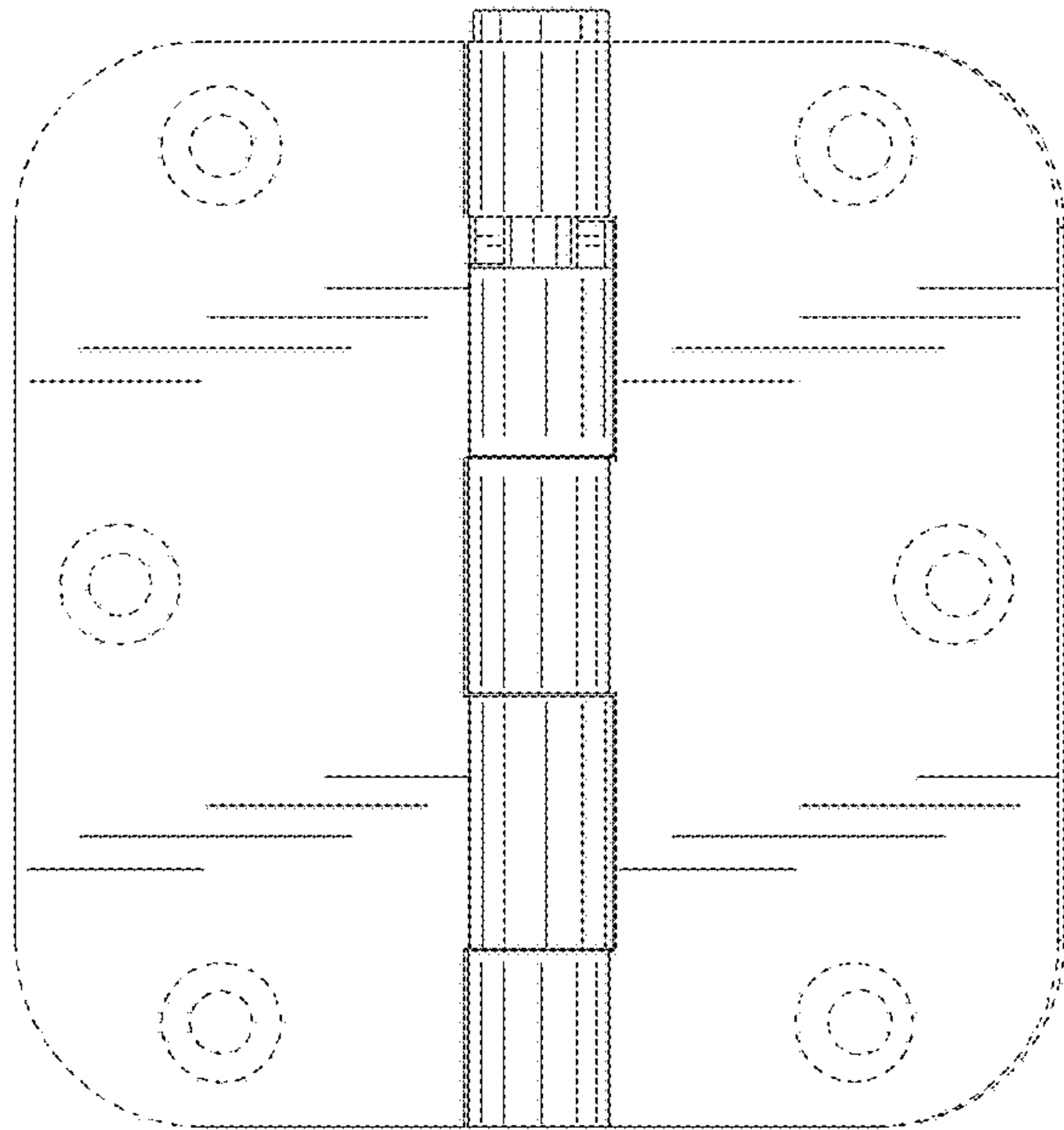
**FIG. 70**



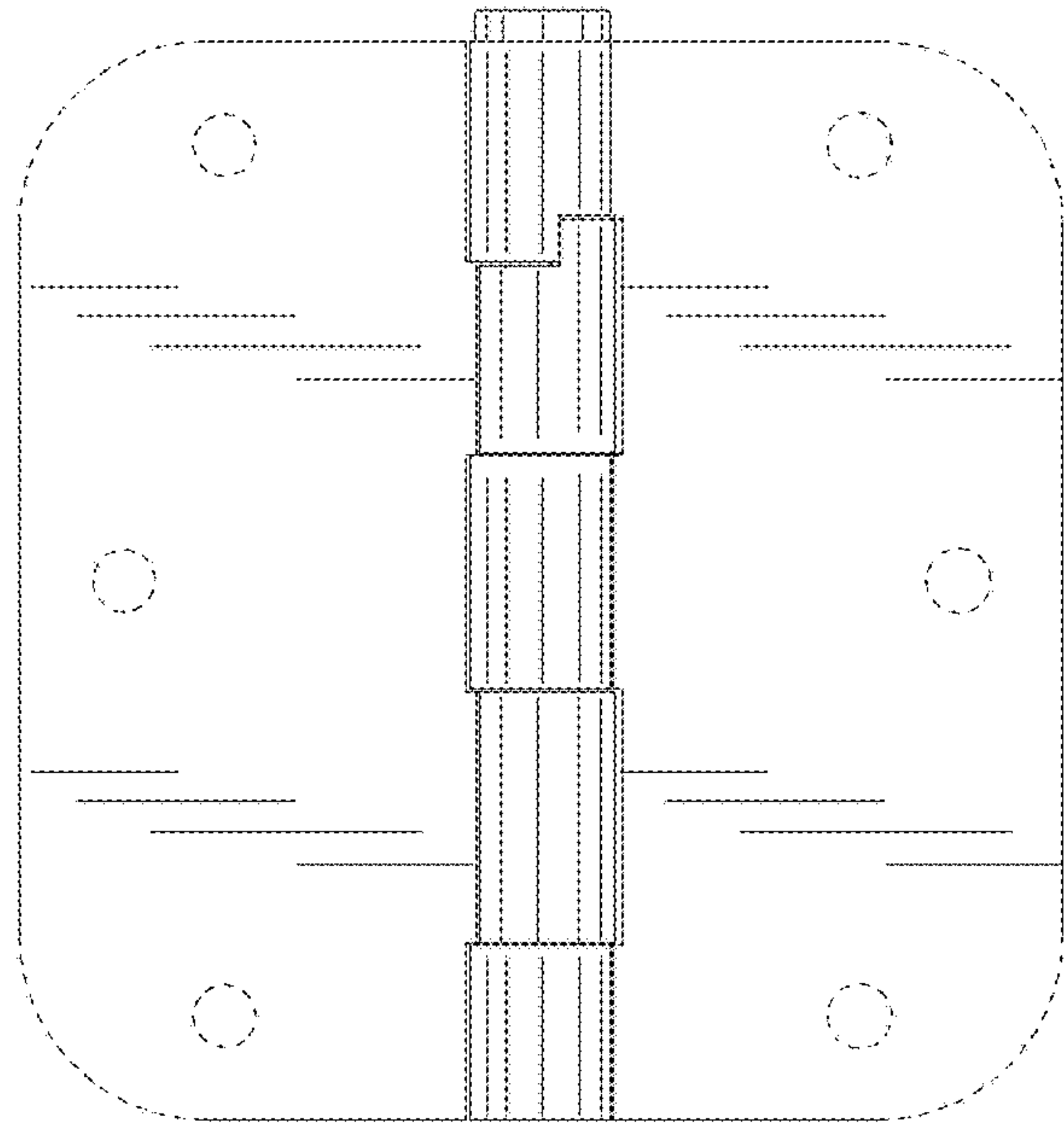
**FIG. 71**



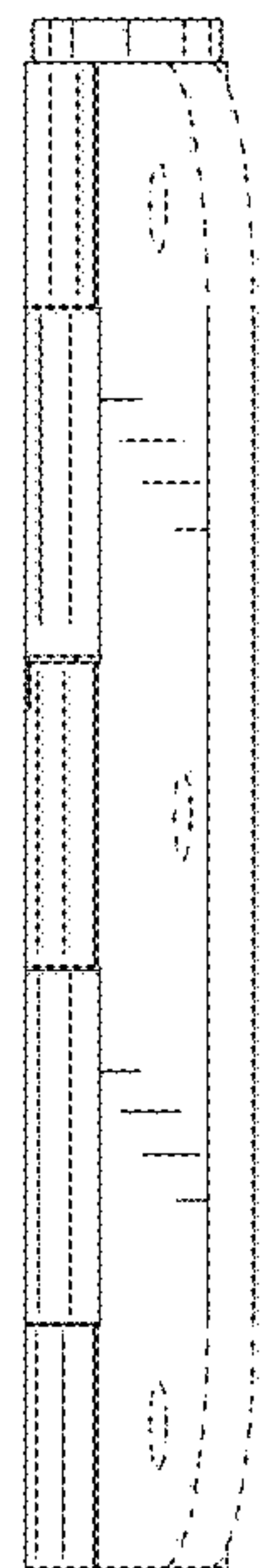
**FIG. 72**



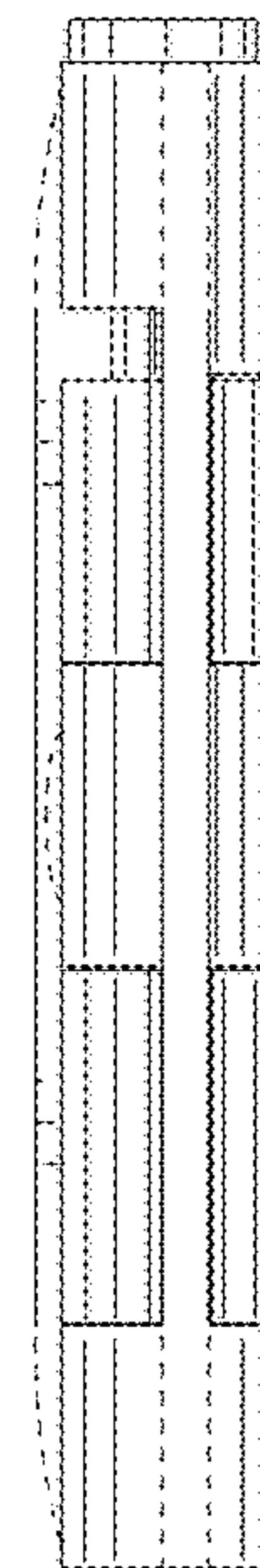
**FIG. 73**



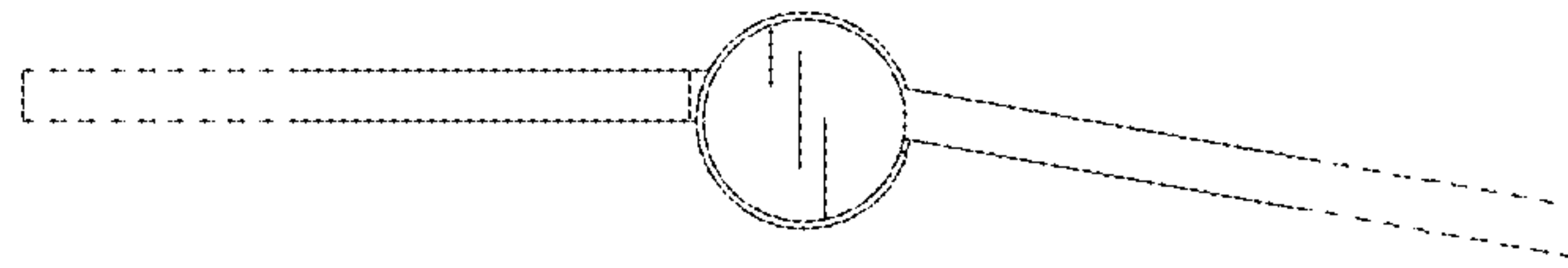
**FIG. 74**



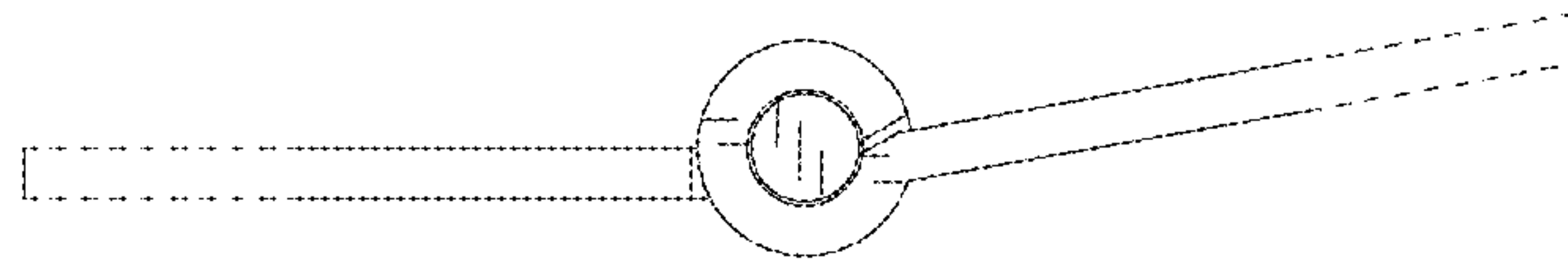
**FIG. 75**



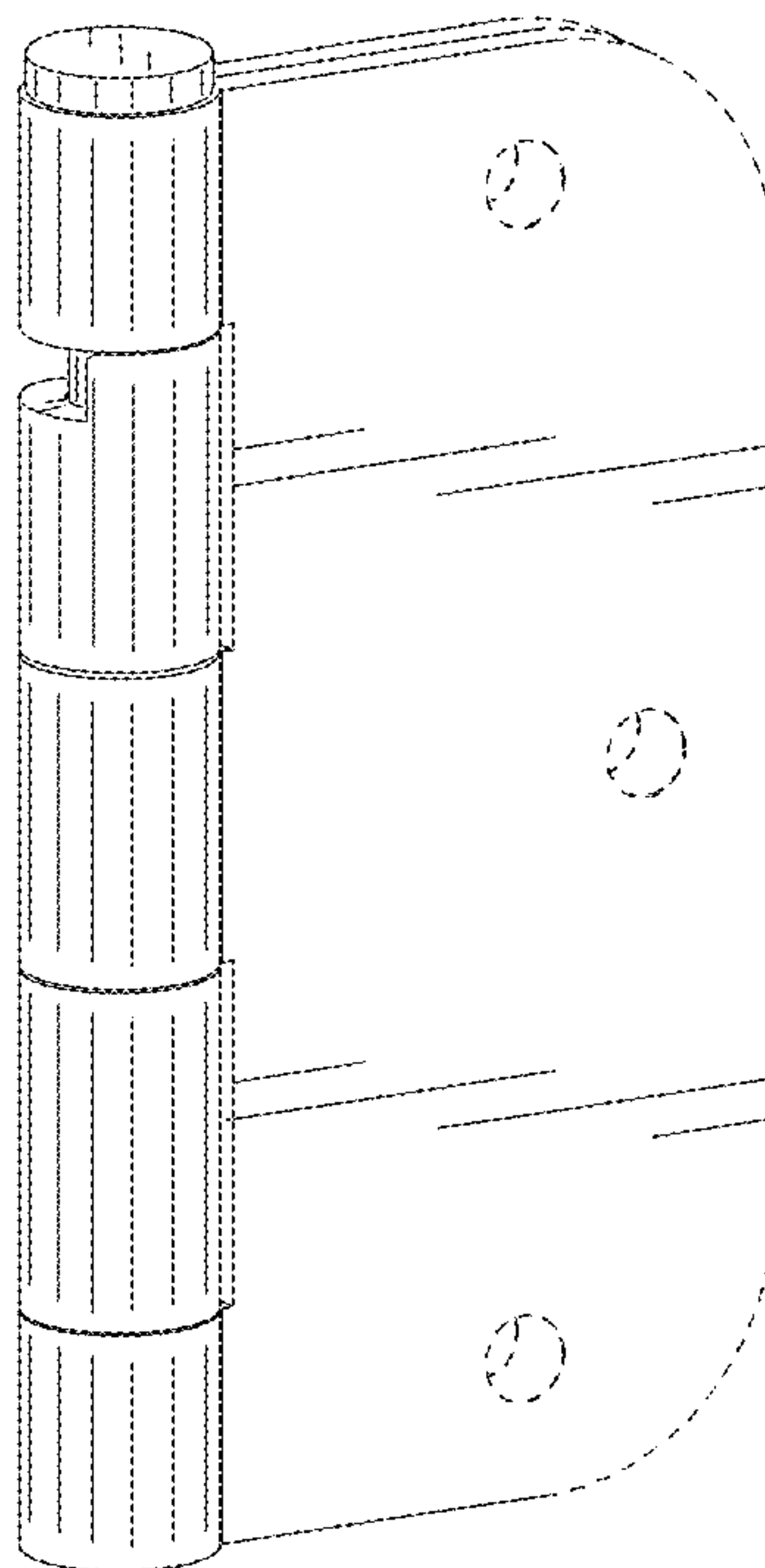
**FIG. 76**



**FIG. 77**



**FIG. 78**



**FIG. 79**

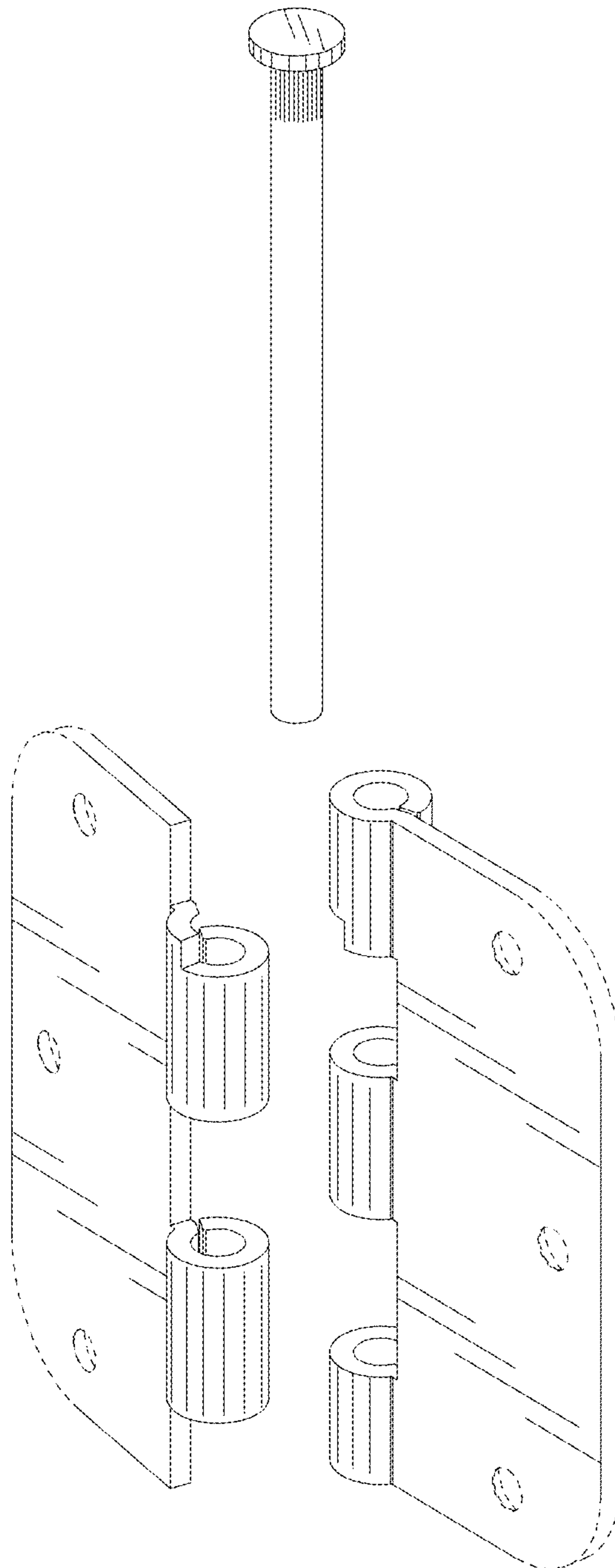
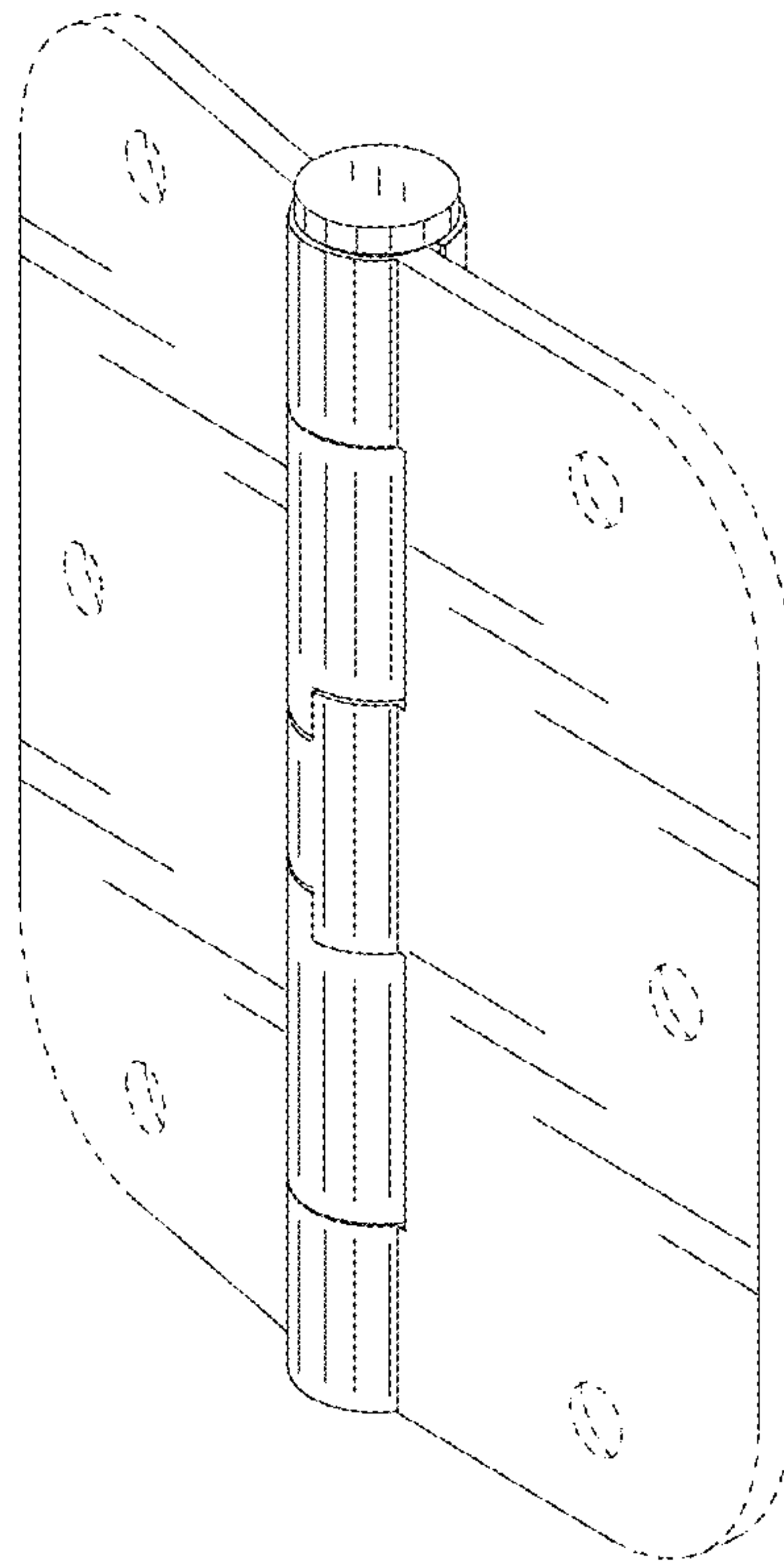
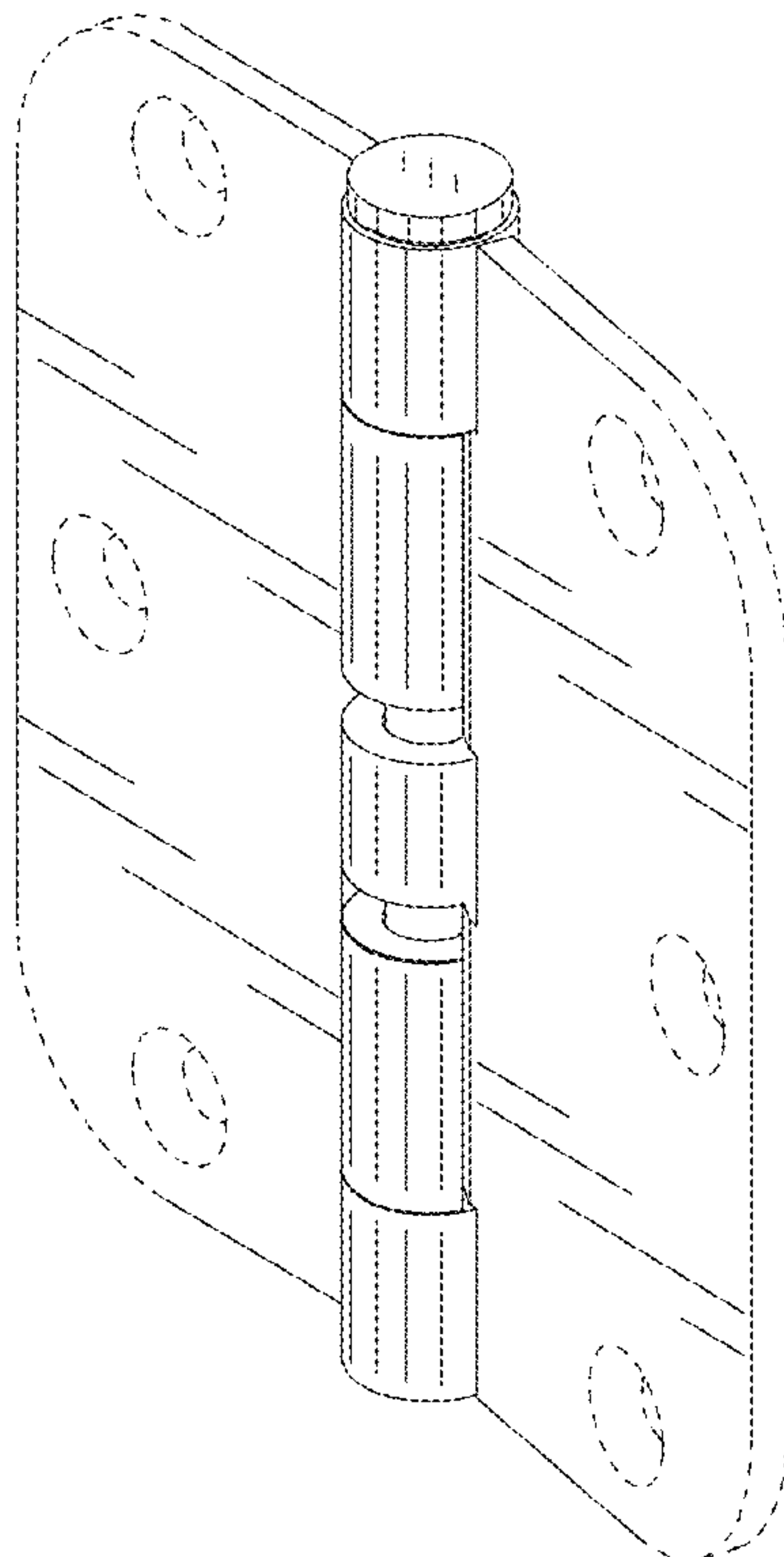


FIG. 80





**FIG. 81**



**FIG. 82**

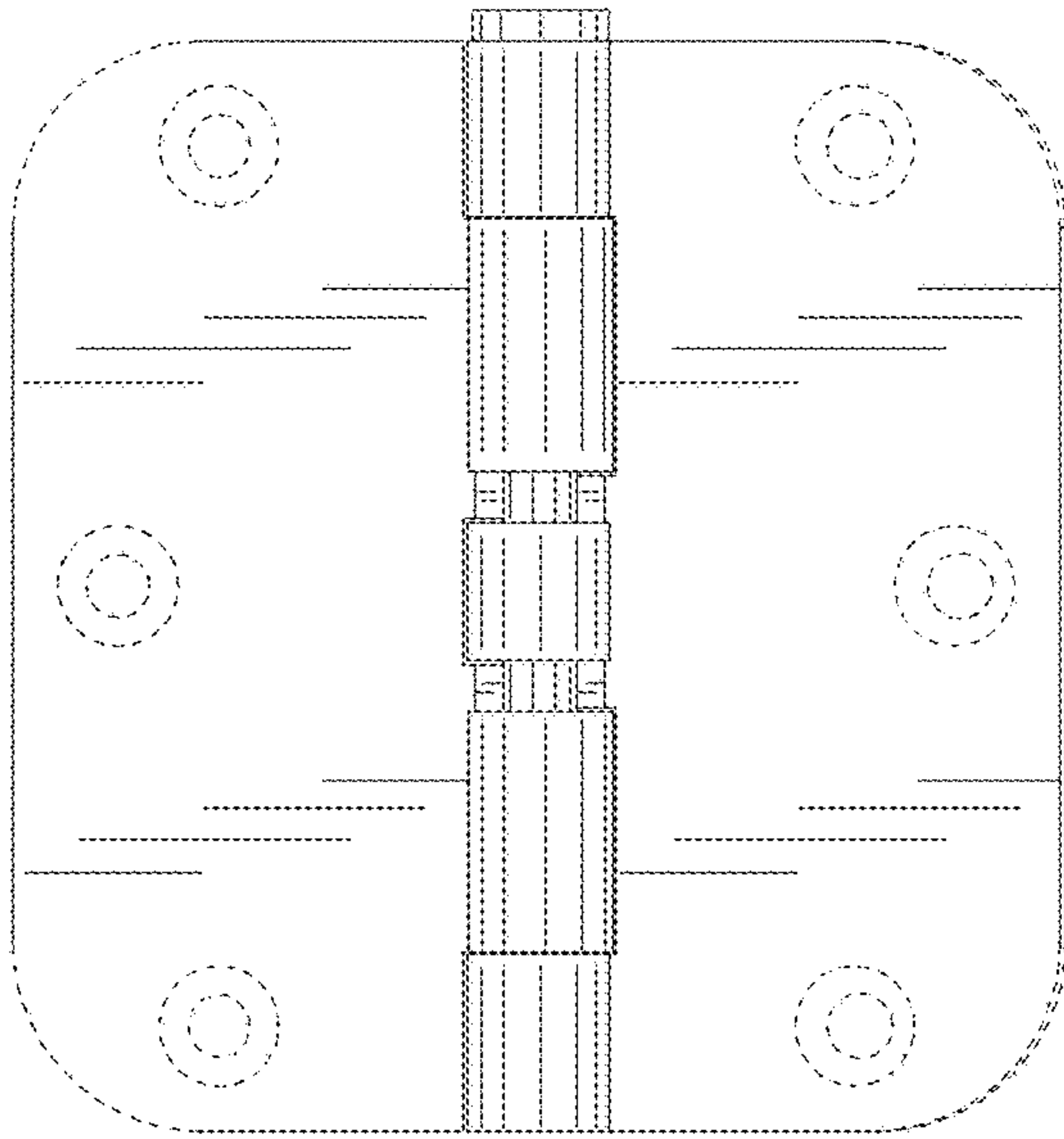


FIG. 83

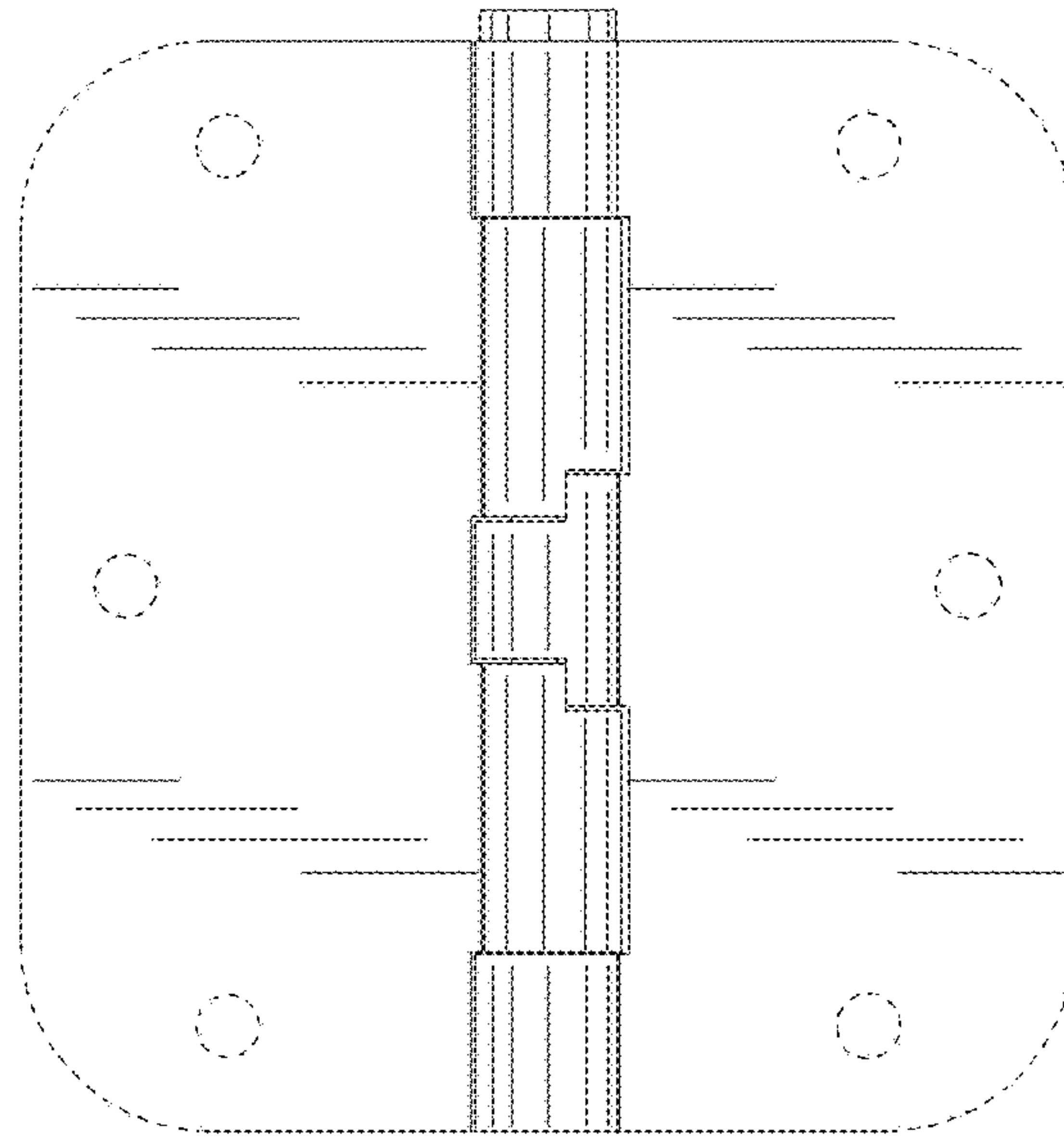


FIG. 84

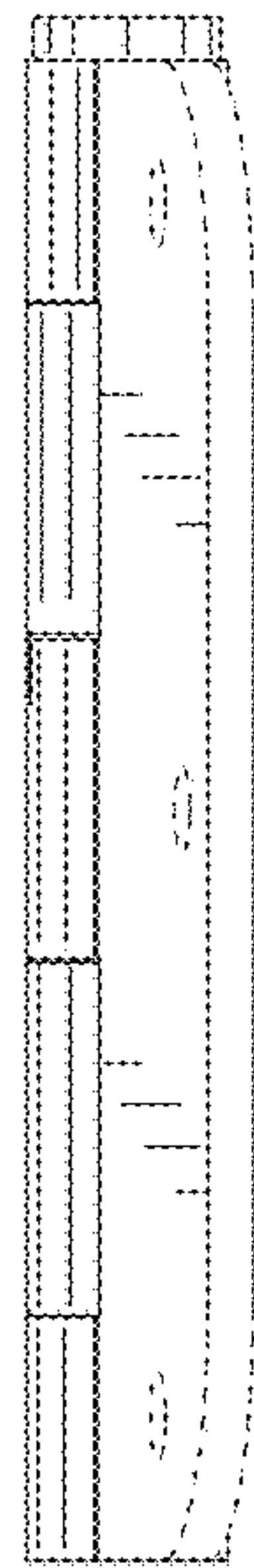


FIG. 85

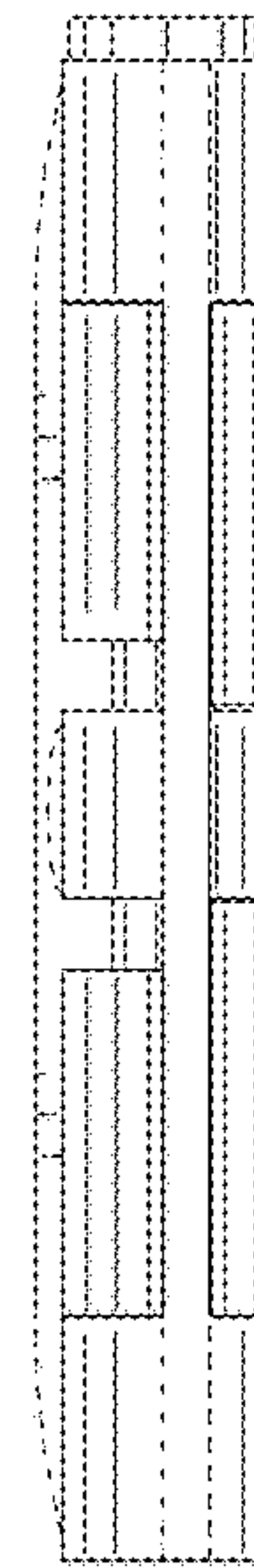
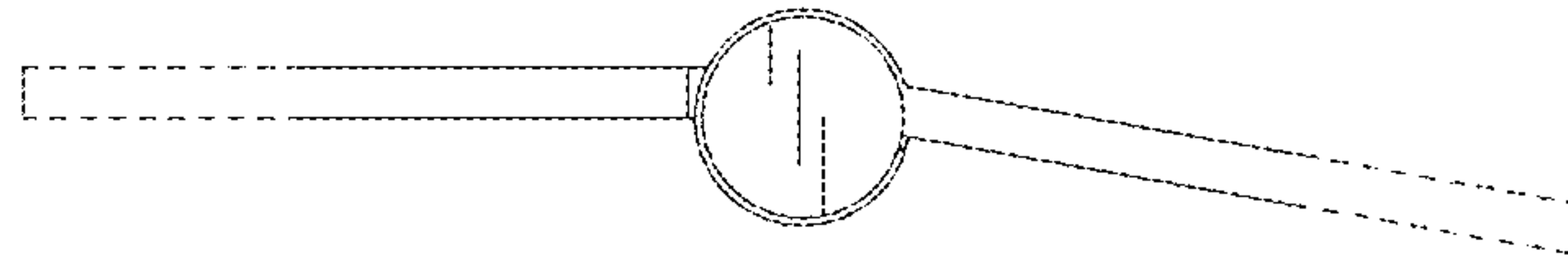
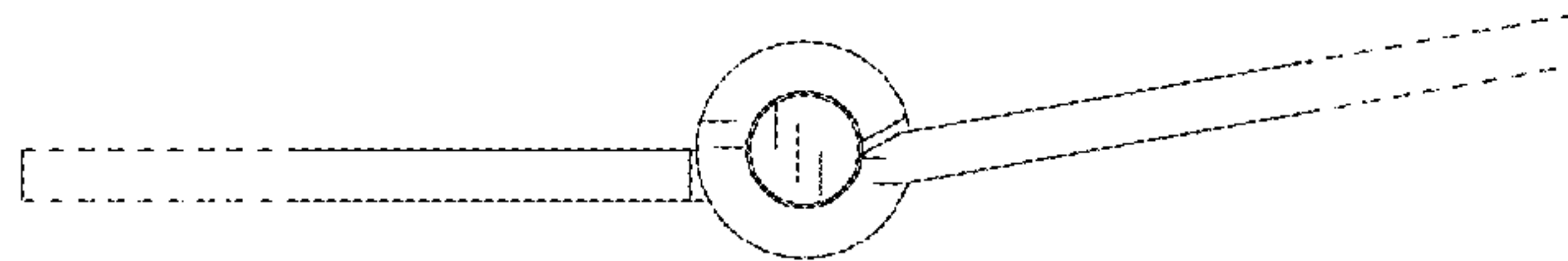


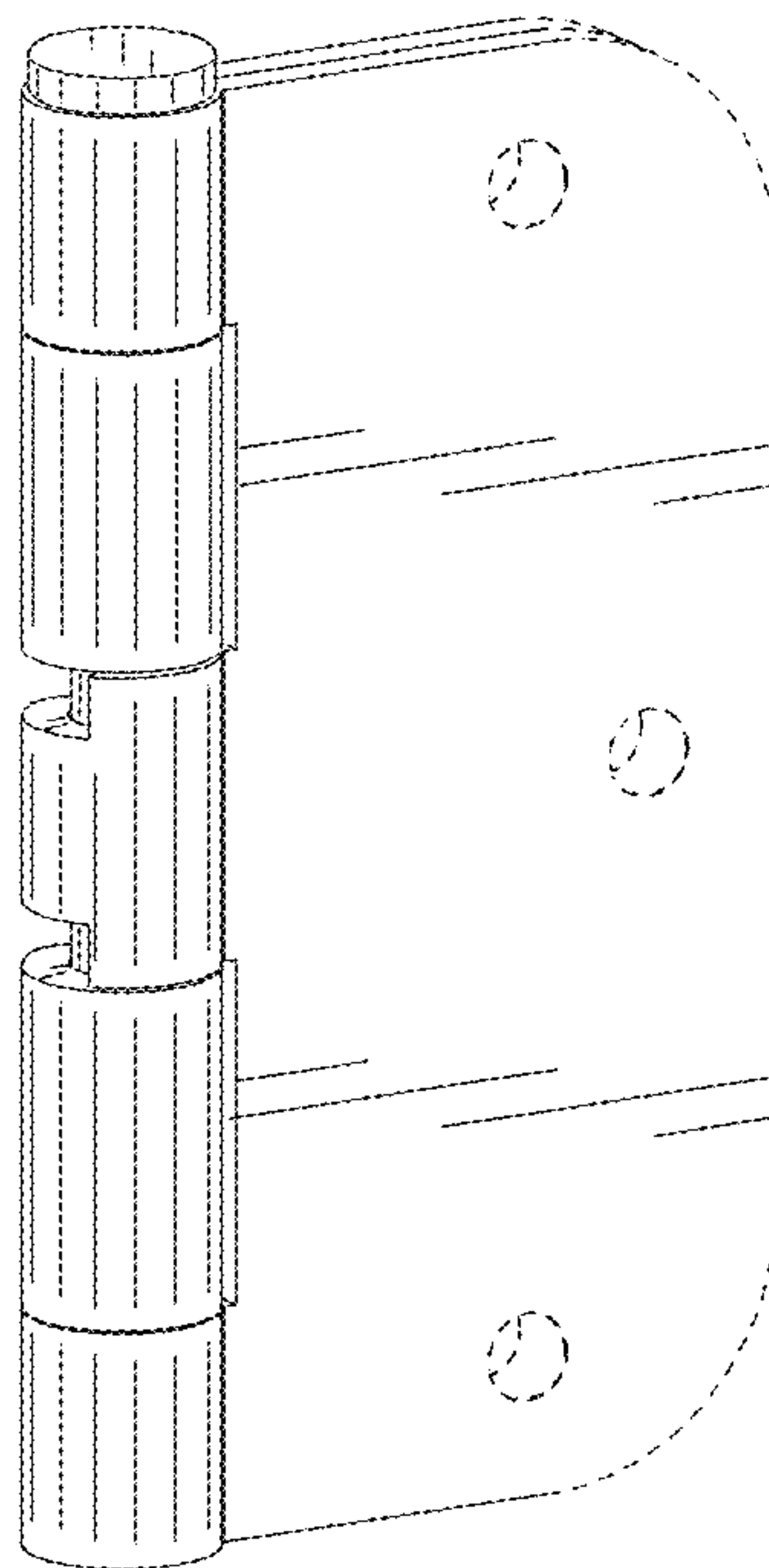
FIG. 86



**FIG. 87**



**FIG. 88**



**FIG. 89**

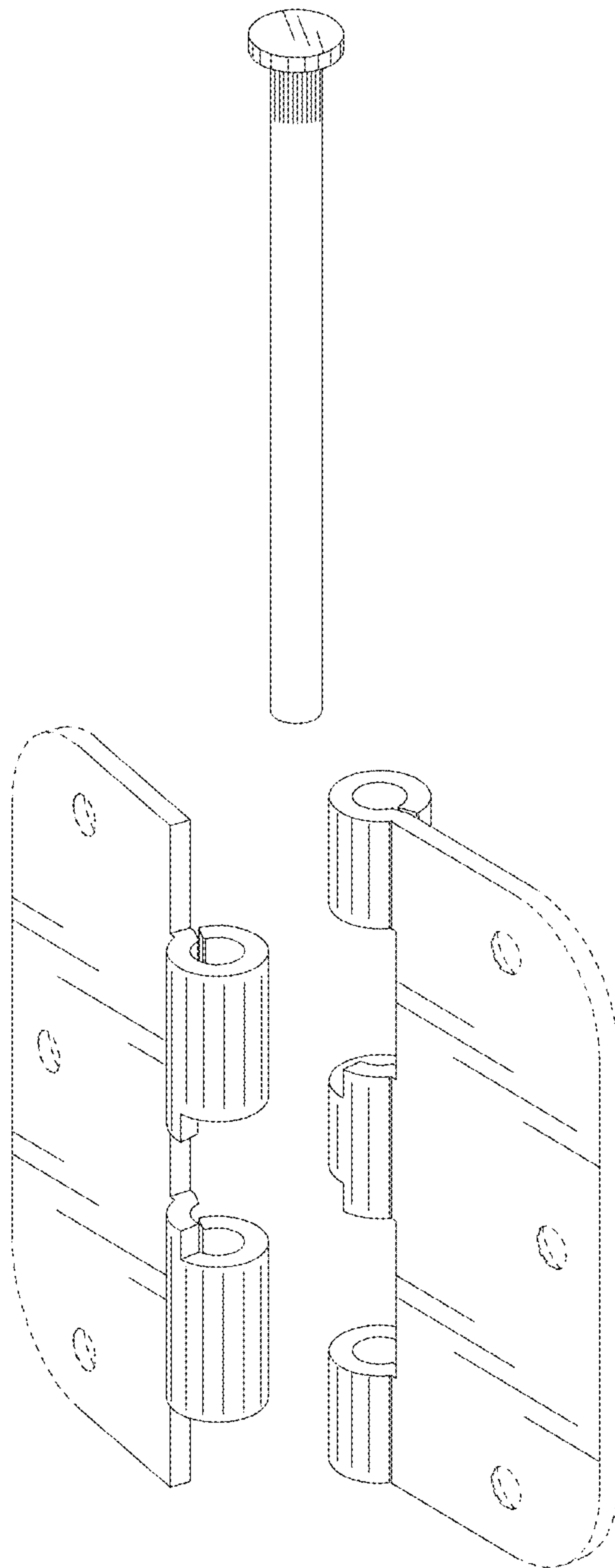


FIG. 90