



US00D790316S

(12) **United States Design Patent**
Zimmer

(10) **Patent No.:** **US D790,316 S**
(45) **Date of Patent:** **** Jun. 27, 2017**

(54) **CABINET HANDLE**

(71) Applicant: **Hardware Resources, Inc.**, Bossier City, LA (US)

(72) Inventor: **Christine Zimmer**, Hillsborough, NJ (US)

(73) Assignee: **HARDWARE RESOURCES, INC.**, Bossier City, LA (US)

(**) Term: **15 Years**

(21) Appl. No.: **29/568,943**

(22) Filed: **Jun. 22, 2016**

(51) **LOC (10) Cl.** **08-06**

(52) **U.S. Cl.**
USPC **D8/316**

(58) **Field of Classification Search**
USPC D23/303-306; 16/110.1; D8/300, 302, D8/305, 311-321, DIG. 1, DIG. 2, D8/DIG. 10; D7/393
CPC Y10T 16/498; Y10T 16/44
See application file for complete search history.

(56) **References Cited**

U.S. PATENT DOCUMENTS

D129,927 S * 10/1941 Peat D8/316
D197,961 S * 4/1964 Heyer D8/317

D218,619 S * 9/1970 Young D6/533
D219,702 S * 1/1971 Korol D8/316
D598,269 S * 8/2009 Hanes D8/317
D606,839 S * 12/2009 Urquiola D8/316
D679,985 S * 4/2013 Ramsland D8/317
D737,112 S * 8/2015 Han D8/316

* cited by examiner

Primary Examiner — Lakiya Rogers

Assistant Examiner — Harold E Blackwell, II

(74) *Attorney, Agent, or Firm* — Schultz & Associates, P.C.

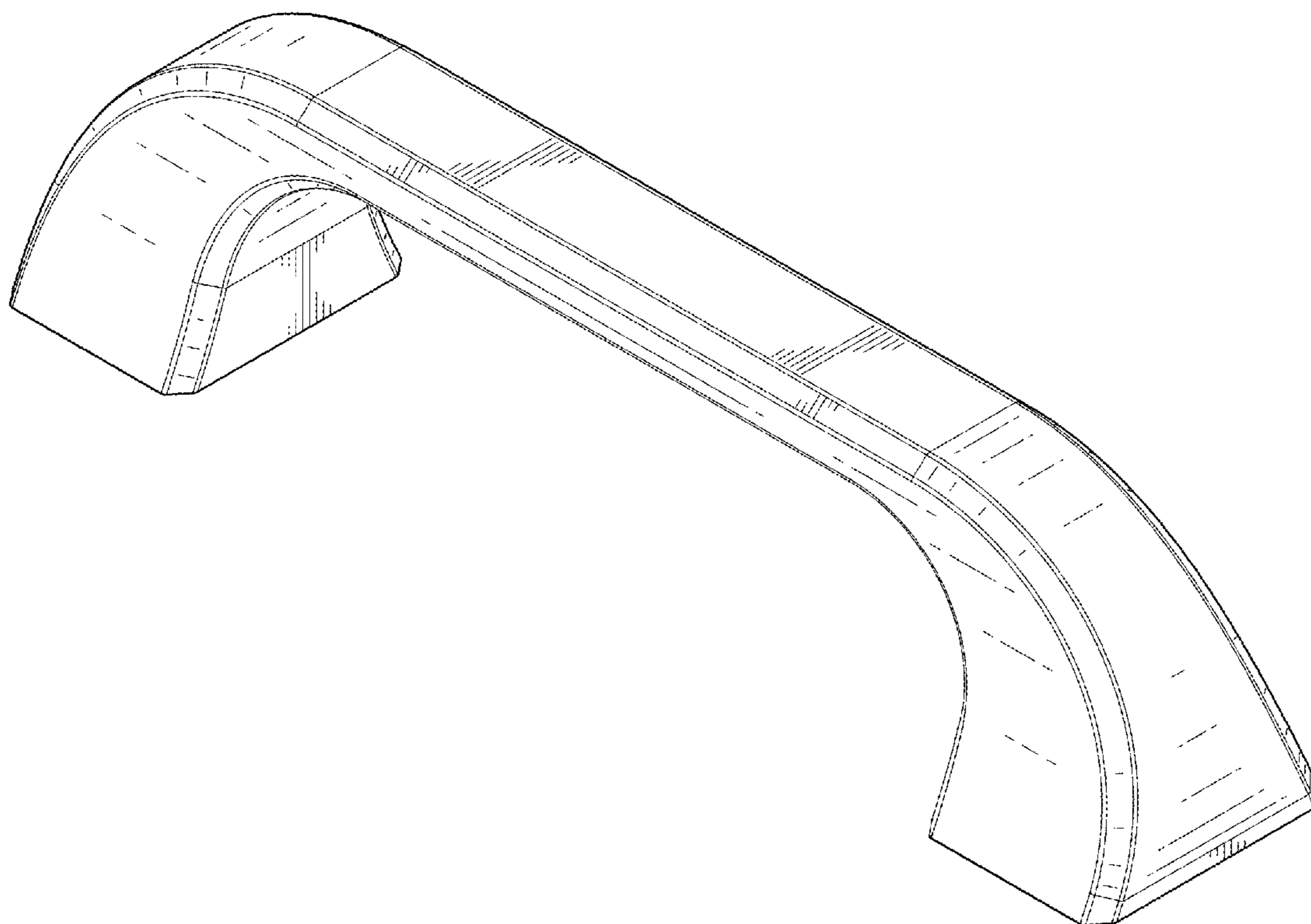
(57) **CLAIM**

The ornamental design for a cabinet handle, as shown and described.

DESCRIPTION

FIG. 1 is a perspective view of a cabinet handle showing my new design;
FIG. 2 is a side elevation view thereof;
FIG. 3 is a side elevation view thereof;
FIG. 4 is top plan view thereof; and,
FIG. 5 is a bottom plan view thereof.
The broken lines shown represent unclaimed subject matter and form no part of the claimed design.

1 Claim, 3 Drawing Sheets



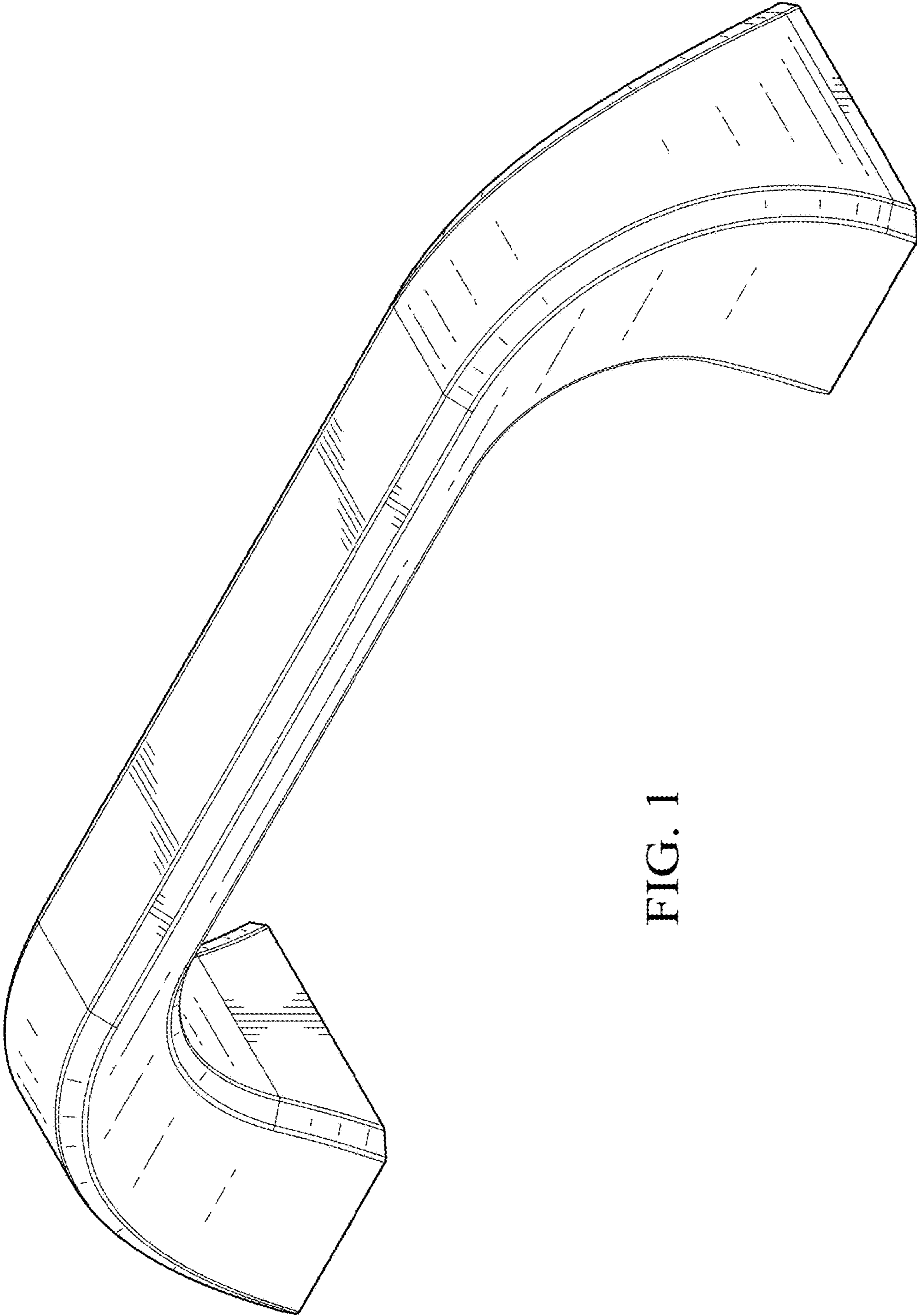


FIG. 1

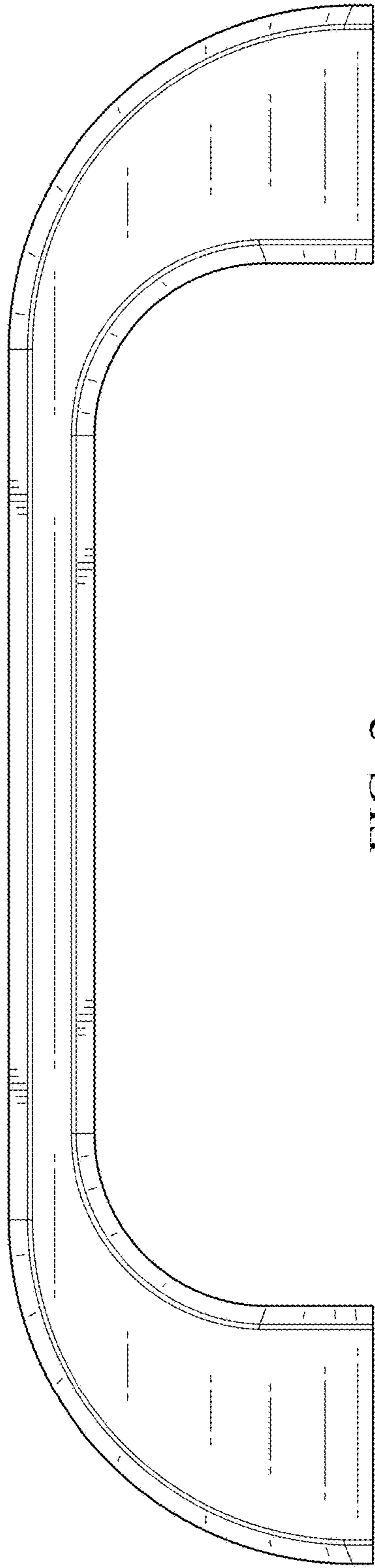


FIG. 2

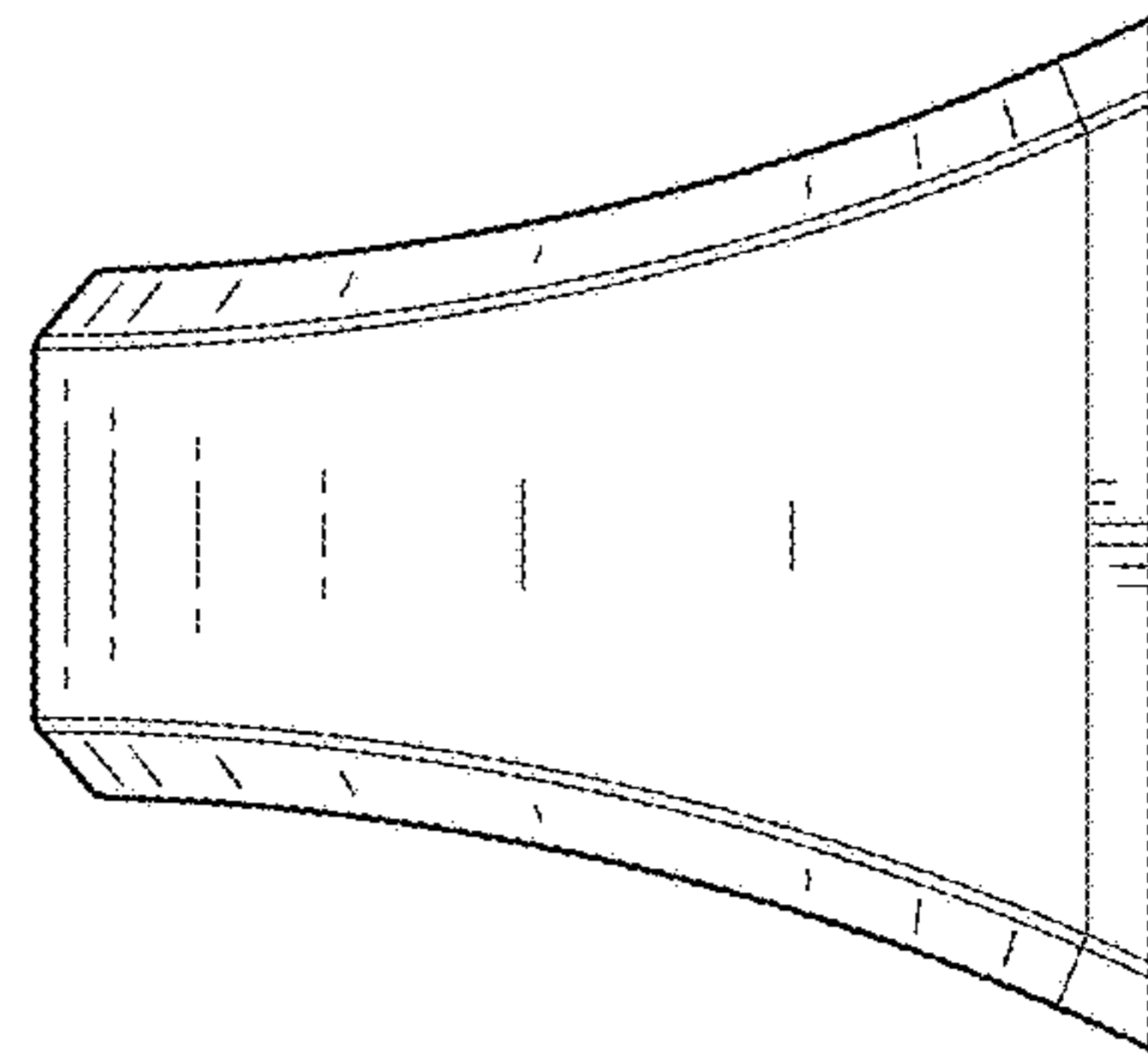


FIG. 3

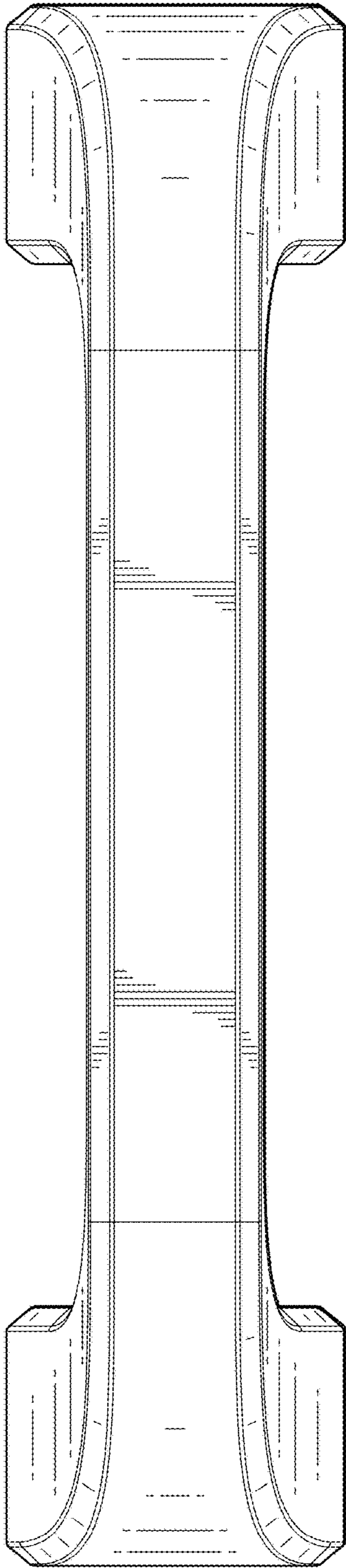


FIG. 4

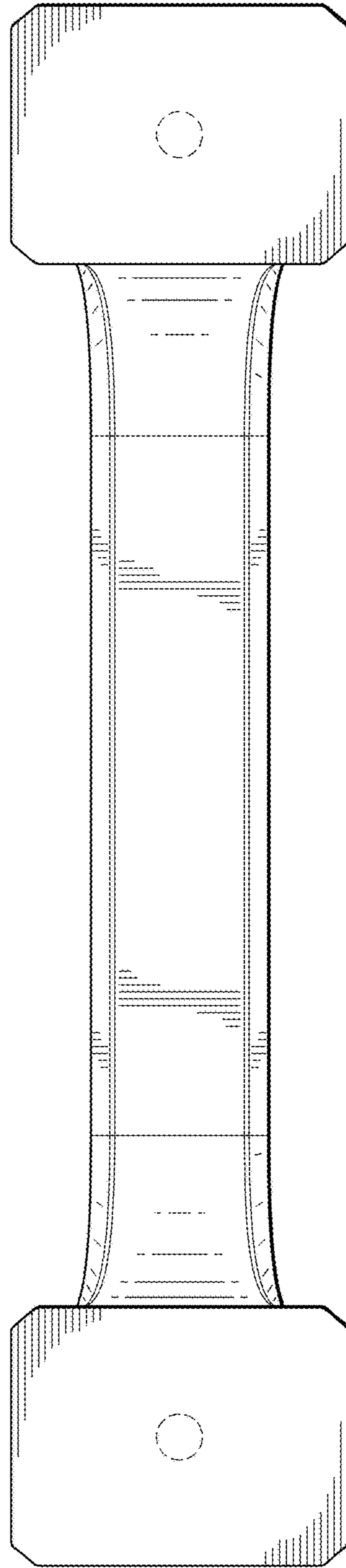


FIG. 5