



US00D790313S

(12) **United States Design Patent**
Watanabe

(10) **Patent No.:** **US D790,313 S**
(45) **Date of Patent:** **** Jun. 27, 2017**

(54) **CUTTER KNIFE**
(71) Applicant: **OLFA CORPORATION**, Osaka (JP)
(72) Inventor: **Toshiyuki Watanabe**, Osaka (JP)
(73) Assignee: **Olfa Corporation**, Osaka-shi (JP)
(**) Term: **15 Years**
(21) Appl. No.: **35/500,703**
(22) Filed: **Feb. 23, 2016**
(80) **Hague Agreement Data**
Int. Filing Date: **Feb. 23, 2016**
Int. Reg. No.: **DM/089538**
Int. Reg. Date: **Feb. 23, 2016**
Int. Reg. Pub. Date: **Mar. 11, 2016**

(30) **Foreign Application Priority Data**
Sep. 2, 2015 (JP) 2015-019473
(51) **LOC (10) Cl.** **08-03**
(52) **U.S. Cl.**
USPC **D8/99**
(58) **Field of Classification Search**
USPC D8/98, 99, 100, 105, 107
CPC B26B 5/001; B26B 5/003; B26B 11/00;
B26B 1/08; B26B 1/02; B26B 1/10;
B26B 1/04; B26B 5/00; B26B 5/06
See application file for complete search history.

(56) **References Cited**
U.S. PATENT DOCUMENTS
D392,173 S 3/1998 Okada
D419,850 S * 2/2000 Hsu D8/99
D453,673 S * 2/2002 Chen B26B 5/002
D497,301 S * 10/2004 Kondo D8/99
D499,948 S * 12/2004 Kondo D8/99
D510,693 S * 10/2005 Vaes D8/99

D517,894 S * 3/2006 Kondo D8/99
D523,316 S * 6/2006 Kondo D8/99
D553,936 S * 10/2007 Takamasa D8/99
D559,651 S * 1/2008 Takamasa D8/99
D560,462 S * 1/2008 Takamasa D8/98
D562,666 S * 2/2008 Tou D8/99
D565,382 S * 4/2008 Watanabe D8/99
D565,919 S * 4/2008 Kondo D8/99
D567,622 S * 4/2008 Takamasa D8/99
D602,757 S * 10/2009 Kishida D8/99
D606,837 S 12/2009 Watanabe
D645,720 S * 9/2011 Wu D8/99
D699,092 S * 2/2014 Wagner D8/99
D699,540 S * 2/2014 Wagner D8/99
D699,541 S * 2/2014 Wagner D8/99
D724,409 S * 3/2015 Segler D8/99
D742,198 S * 11/2015 Kugimiya D8/99
D745,358 S * 12/2015 Kugimiya D8/99

(Continued)

OTHER PUBLICATIONS

Craft Knife L, The Manichi Graphic, vol. 40, Oct. 7, 1979.

Primary Examiner — Darlington Ly

(74) *Attorney, Agent, or Firm* — Crowell & Moring LLP

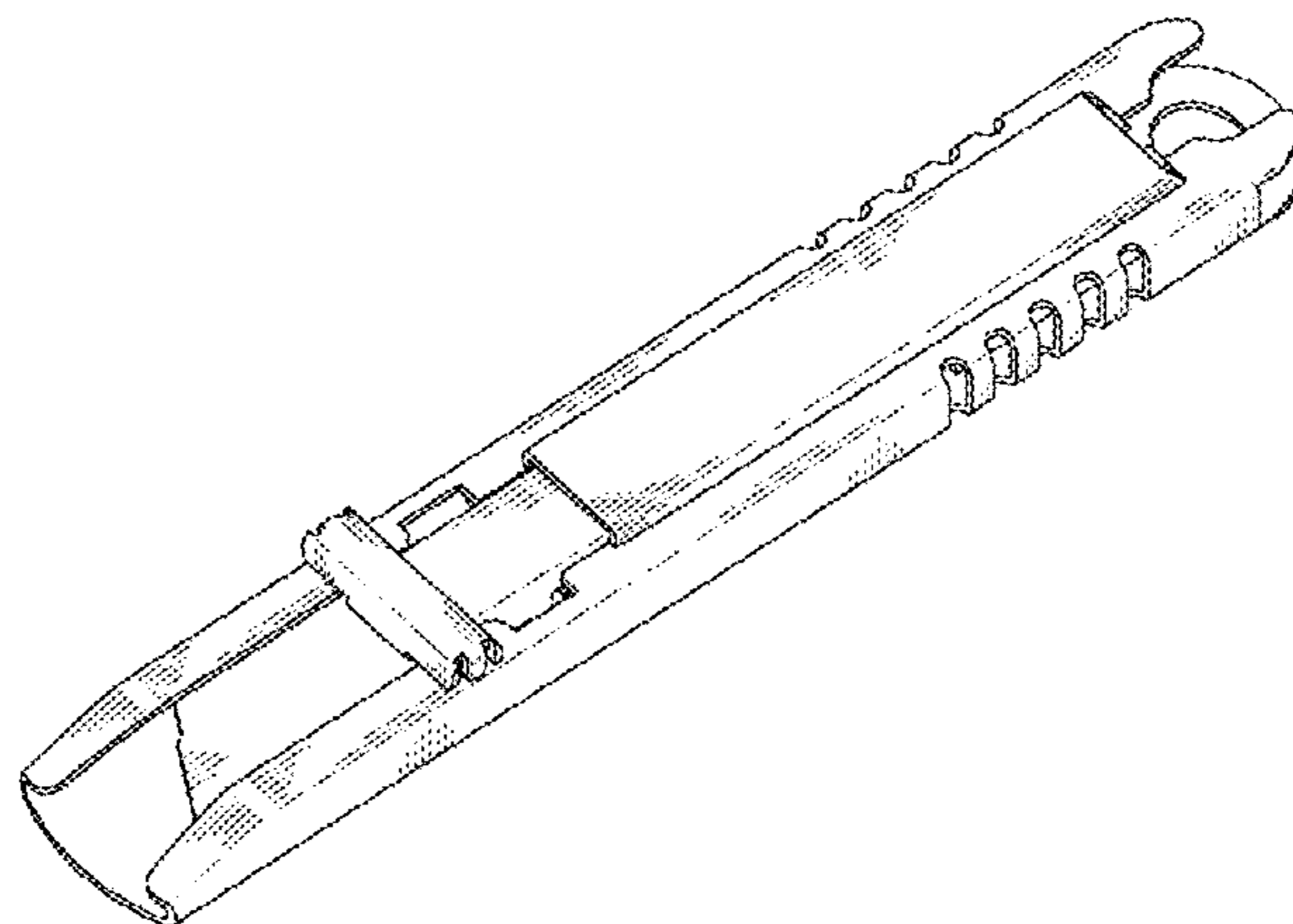
(57) **CLAIM**

The ornamental design for a cutter knife, as shown and described.

DESCRIPTION

1. Cutter knife
1.1 is a top, front, and left side perspective of a cutter knife showing my new design;
1.2 is a top, front, and left side perspective view thereof, wherein the blade is slid out;
1.3 is a bottom, front, and left side perspective view thereof;
1.4 is a front elevation view thereof;
1.5 is a top plan view thereof;
1.6 is a bottom plan view thereof;
1.7 is a left side elevation view thereof; and
1.8 is a right side elevation view thereof.

1 Claim, 8 Drawing Sheets



(56)

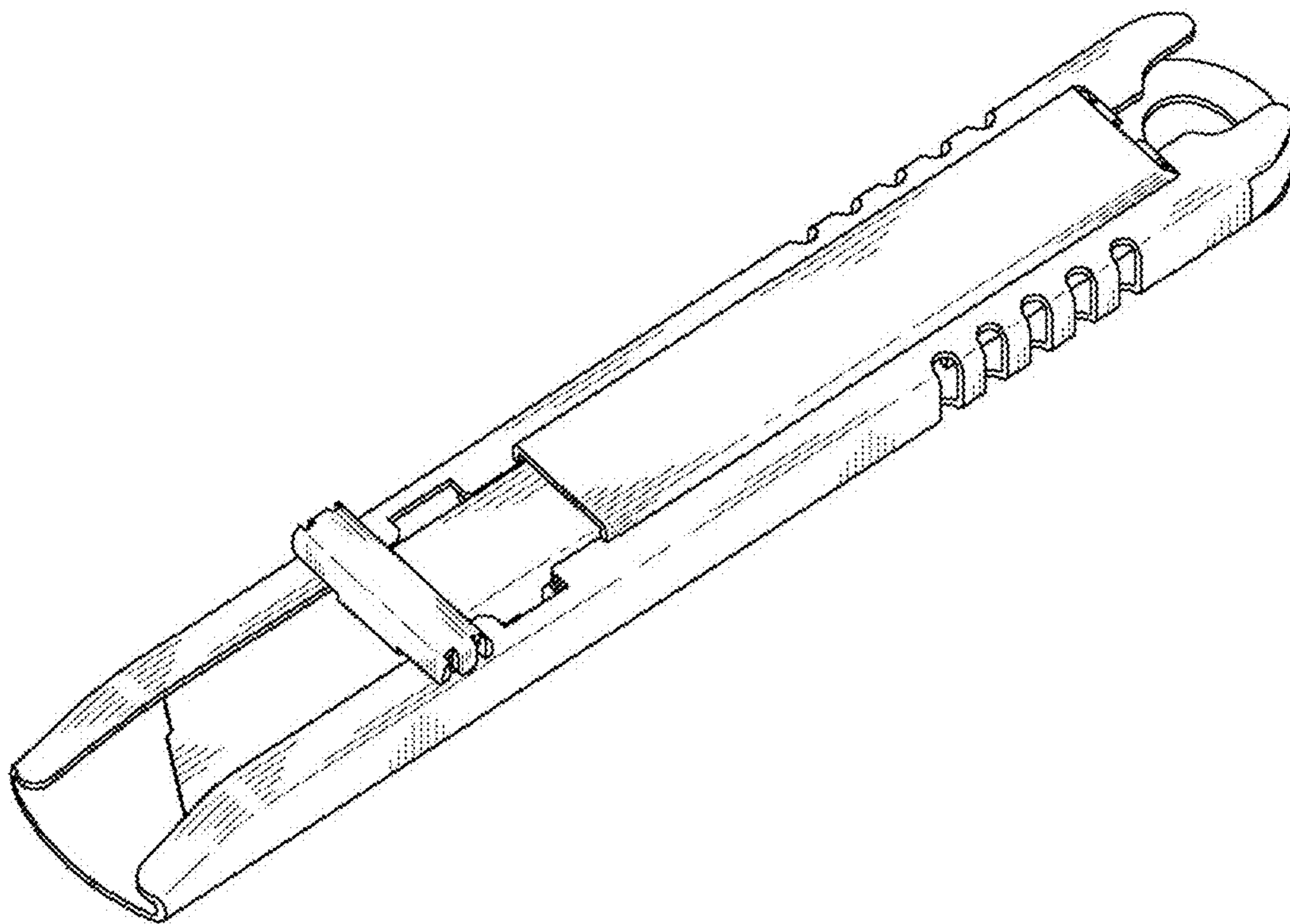
References Cited

U.S. PATENT DOCUMENTS

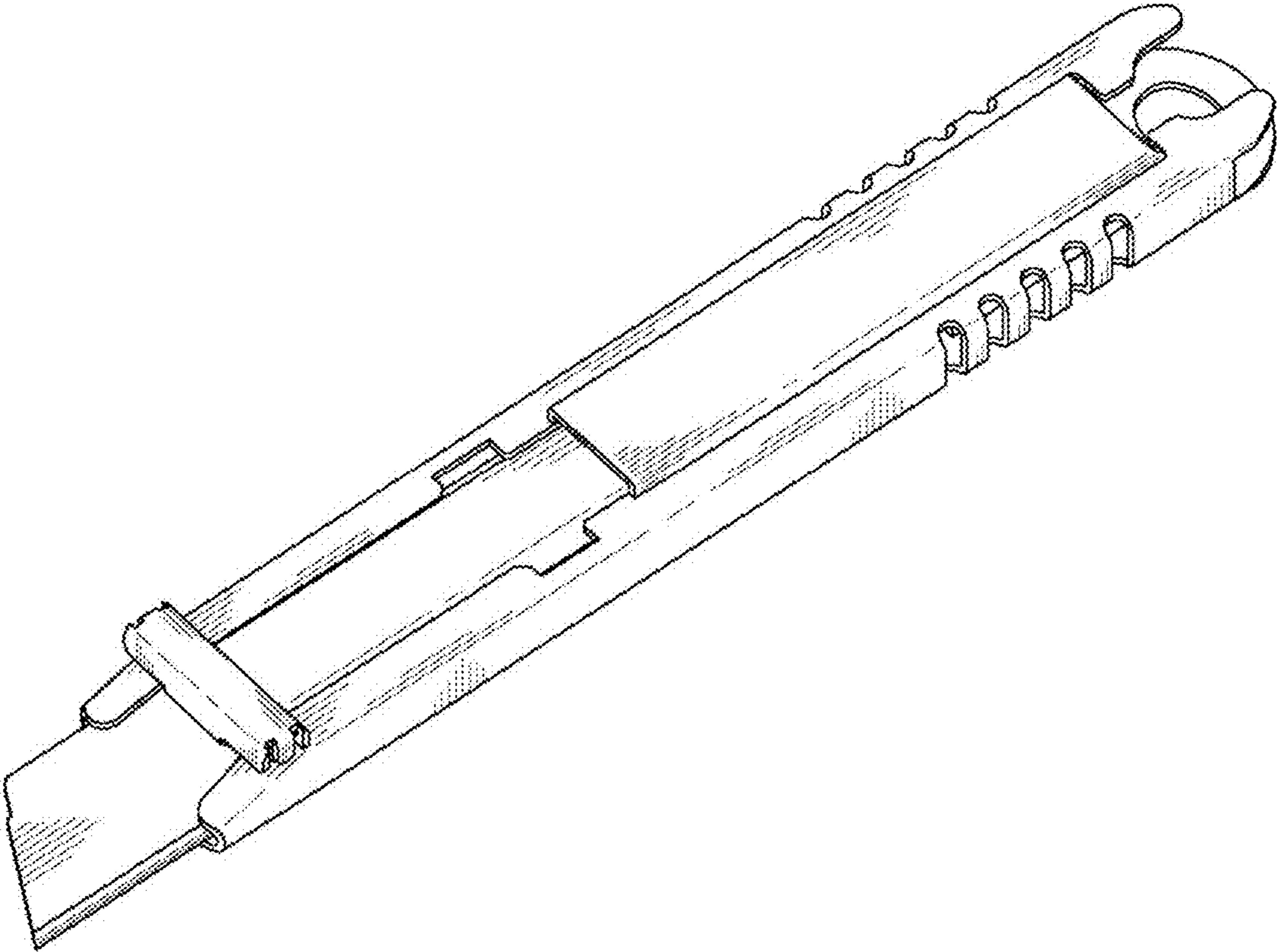
D752,410 S *	3/2016	Kugimiya	D8/99
D756,191 S *	5/2016	Horovitz	D8/99
D763,653 S *	8/2016	Horovitz	D8/99
D767,361 S *	9/2016	Chiu	D8/99

* cited by examiner

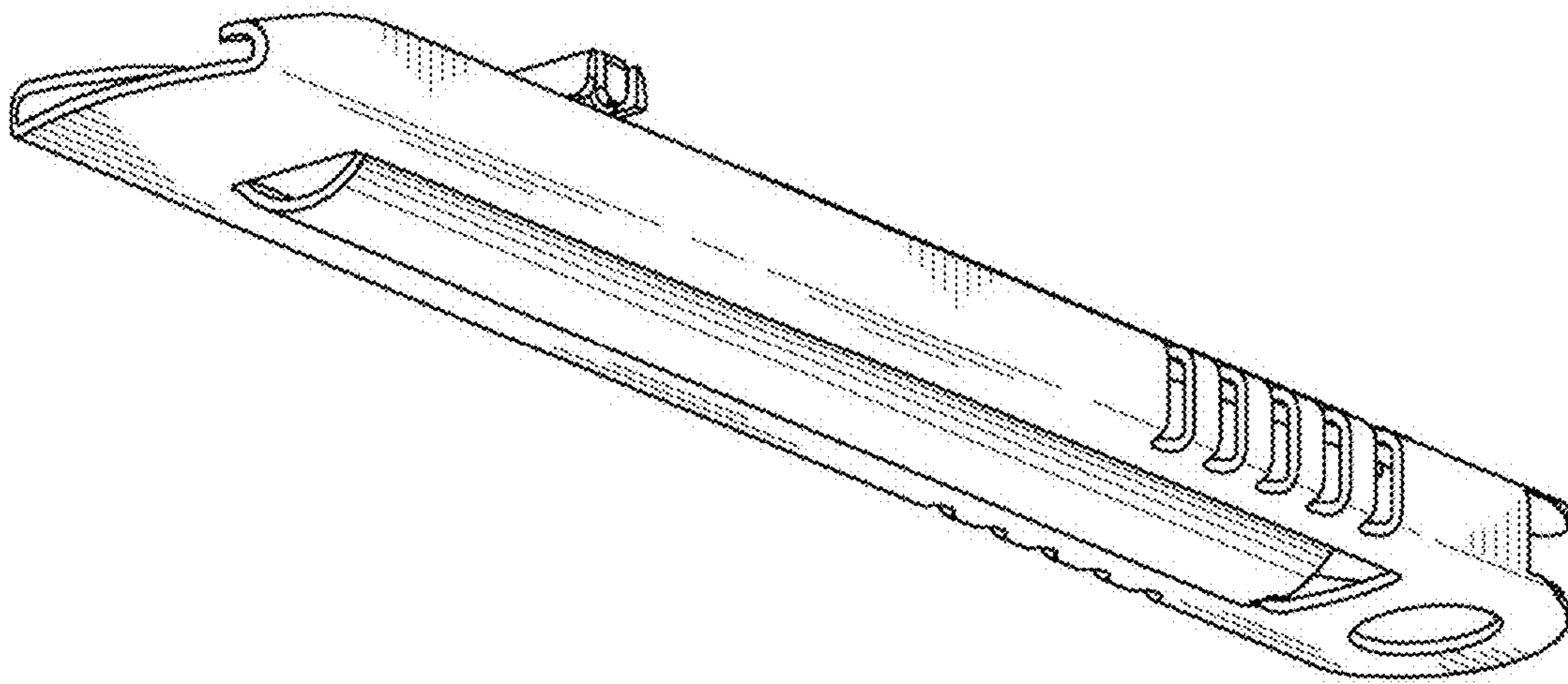
1.1



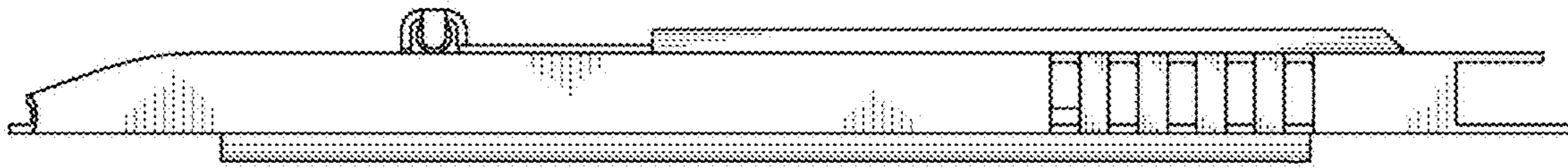
1.2



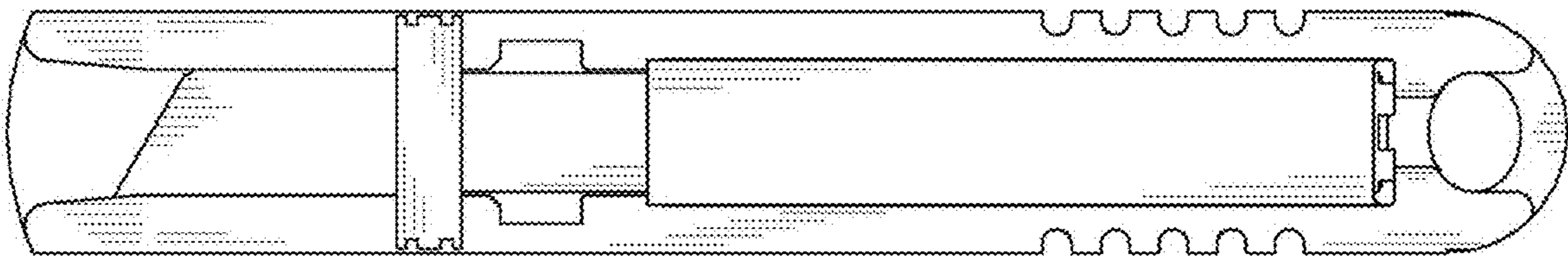
1.3



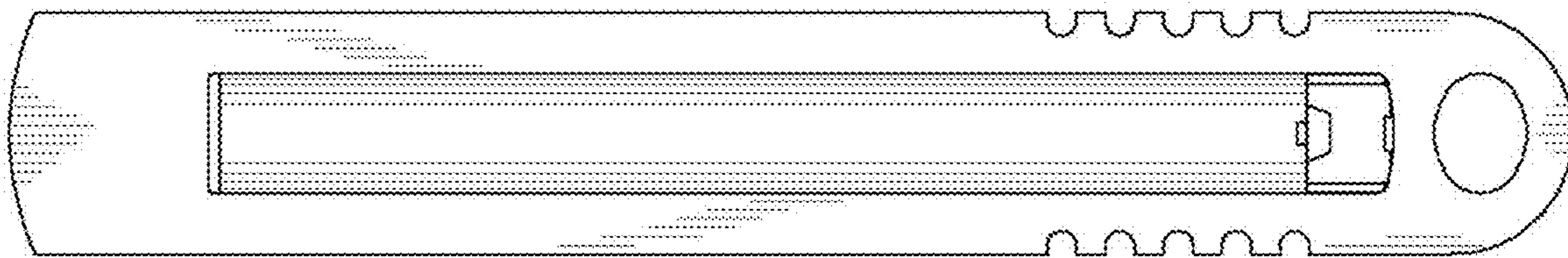
1.4



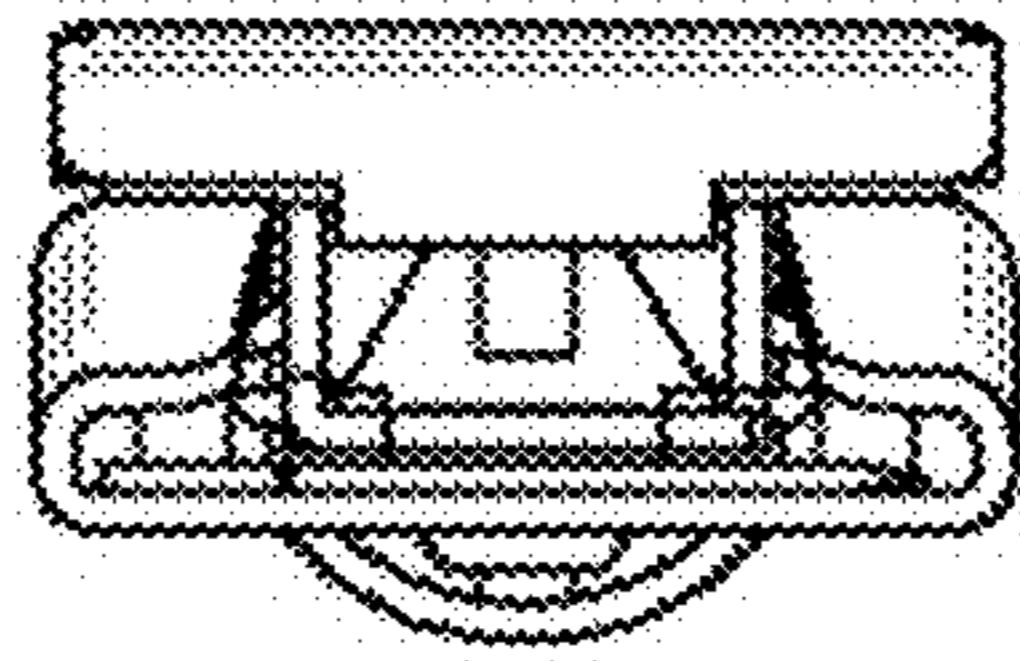
1.5



1.6



1.7



1.8

