



US00D790312S

(12) **United States Design Patent**  
**Hurt et al.**

(10) **Patent No.:** **US D790,312 S**  
(45) **Date of Patent:** **\*\* Jun. 27, 2017**

(54) **SANDING TOOL**  
(71) Applicant: **FlexPro Industries, LLC**, Cincinnati, OH (US)  
(72) Inventors: **James L. Hurt**, Cincinnati, OH (US); **James R. Momper**, Cincinnati, OH (US); **Stephen Laux**, Cincinnati, OH (US); **David Hayne**, Covington, KY (US); **James Busemeyer**, Cincinnati, OH (US)

913,327 A \* 2/1909 Uebelmesser ..... B24D 15/023  
451/522  
1,181,123 A \* 5/1916 Edenborough ..... B24D 15/023  
451/515  
1,617,592 A \* 2/1927 Hardy ..... B24D 15/02  
451/557  
1,864,616 A \* 6/1932 Rayner ..... B24D 15/02  
451/557  
D91,979 S \* 4/1934 Blake ..... 451/557  
(Continued)

(73) Assignee: **KLFP Trading, LLC**, West Chester, OH (US)

(\*\*) Term: **15 Years**

(21) Appl. No.: **29/555,728**

(22) Filed: **Feb. 24, 2016**

**Related U.S. Application Data**

(62) Division of application No. 29/473,988, filed on Nov. 27, 2013, now Pat. No. Des. 753,457.

(51) **LOC (10) Cl.** ..... **08-05**

(52) **U.S. Cl.**  
USPC ..... **D8/90**; D8/45

(58) **Field of Classification Search**  
USPC ..... 15/235.4, 236.01, 245–245.1;  
D32/40–41, 46, 48–49; D8/14, 45,  
D8/90–94; D7/688; 7/105;  
451/502–503, 523–525, 539–540  
CPC ..... A47L 13/022; B25B 23/12; B25G 1/00;  
B25G 1/10; B25G 1/102; B25G 3/14;  
B26B 5/005; E04F 21/06; E04F 21/16  
See application file for complete search history.

(56) **References Cited**

**U.S. PATENT DOCUMENTS**

289,879 A \* 12/1883 Almond ..... B24D 11/06  
451/524  
609,078 A \* 8/1898 Buyer ..... B24D 15/08  
451/553

**OTHER PUBLICATIONS**

FlexPro Ultimate Hand Sander-300-01100. Downloaded Feb. 1, 2017 from [http://www.homedepot.com/p/FlexPro-Ultimate-Hand-Sander-300-01100/205729928?cm\\_...\\*](http://www.homedepot.com/p/FlexPro-Ultimate-Hand-Sander-300-01100/205729928?cm_...)

*Primary Examiner* — Philip S Hyder  
*Assistant Examiner* — Roselynn Cody  
(74) *Attorney, Agent, or Firm* — Ulmer & Berne LLP

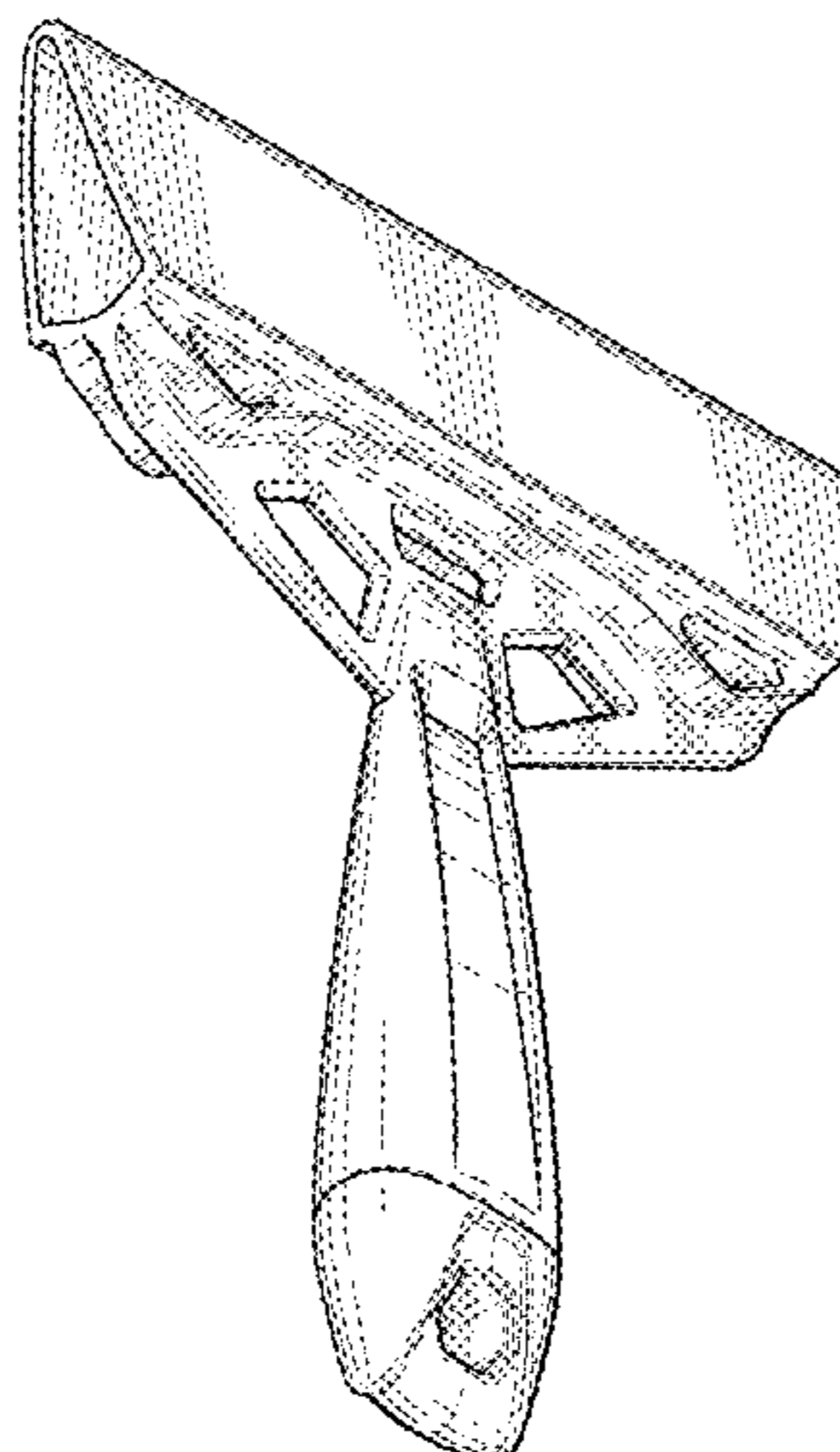
(57) **CLAIM**

The ornamental design for a sanding tool, as shown and described.

**DESCRIPTION**

FIG. 1 is a bottom perspective view of a sanding tool of the present invention.  
FIG. 2 is a front view of FIG. 1 of the sanding tool; the rear view is an identical image, thereof.  
FIG. 3 is a left side view of FIG. 1 of the sanding tool; the right side view is an identical image, thereof.  
FIG. 4 is a top view of FIG. 1 of the sanding tool; and, FIG. 5 is a bottom view of FIG. 1 of the sanding tool.  
The broken lines adjacent to shaded or sectional portions are an unclaimed boundary of the design and form no part of the claimed design.

**1 Claim, 2 Drawing Sheets**



(56)

References Cited

U.S. PATENT DOCUMENTS

2,376,477	A *	5/1945	Craven	.....	B24D 15/023	451/512	5,056,273	A *	10/1991	Martel	.....	B24D 15/02
2,401,116	A *	5/1946	Stang	.....	B24D 15/023	451/500	5,732,719	A *	3/1998	Godbout	.....	A45D 29/04
2,415,367	A *	2/1947	Pavlovic	.....	B24D 15/023	451/491	5,956,799	A *	9/1999	Panaccione	.....	A47L 13/022
2,424,702	A *	7/1947	Miller	.....	B24D 15/023	451/522	5,993,306	A *	11/1999	McCoy	.....	B24D 15/04
2,429,550	A *	10/1947	Hein	.....	B24D 15/023	451/461	6,272,715	B1 *	8/2001	Polzin	.....	B05C 17/00
2,448,178	A *	8/1948	Glowacki	.....	B24D 15/026	451/492	6,540,582	B1 *	4/2003	Primos	.....	A01M 31/004
2,472,899	A *	6/1949	Hein	.....	B24D 15/026	451/492	6,715,210	B2 *	4/2004	Chao	.....	B44D 3/162
2,527,021	A *	10/1950	May	.....	B24D 15/023	451/503	D515,262	S *	2/2006	Hay	.....	D32/41
2,575,117	A *	11/1951	Naken	.....	B24D 15/023	451/503	7,131,902	B2 *	11/2006	Hope	.....	B24D 15/04
2,624,161	A *	1/1953	Snell	.....	B24D 15/023	451/512	D533,417	S *	12/2006	Jones	.....	D8/45
2,645,064	A *	7/1953	Pavlovic	.....	B24D 15/023	451/491	7,434,318	B2 *	10/2008	Perez	.....	E04F 21/06
3,274,684	A *	9/1966	Marks	.....	E01H 5/02	15/105	D584,119	S *	1/2009	Manzanares	.....	D8/45
3,774,252	A *	11/1973	Cantales	.....	B44D 3/105	254/21	D590,675	S *	4/2009	Manzanares	.....	D8/45
4,249,349	A *	2/1981	Rueb	.....	B24D 15/023	451/524	7,622,003	B1 *	11/2009	Heysek	.....	B44D 3/225
4,361,990	A *	12/1982	Link	.....	B24D 15/023	451/524	D721,258	S *	1/2015	Momper	.....	D8/45
4,620,369	A *	11/1986	Gercken	.....	B25G 1/10	30/168	D752,401	S *	3/2016	De La Cruz	.....	D7/688
4,694,618	A *	9/1987	Eberhart	.....	B24D 15/04	30/506	D779,143	S *	2/2017	Sgroi, Jr.	.....	D32/46
4,794,694	A *	1/1989	Daniel	.....	E04F 21/06	15/236.01	2002/0104182	A1 *	8/2002	Panfili	.....	B25G 1/00
4,995,200	A *	2/1991	Eberhart	.....	B24D 15/023	451/490	2004/0068819	A1 *	4/2004	Nistico	.....	E04F 21/165
							2005/0217034	A1 *	10/2005	Miller	.....	E04F 21/06
							2007/0232204	A1 *	10/2007	Takeichi	.....	B24B 9/14
							2009/0047882	A1 *	2/2009	Collins	.....	B24D 15/105
							2009/0199411	A1 *	8/2009	van Deursen	.....	A47L 13/022
							2011/0086586	A1 *	4/2011	Andrews	.....	B24D 15/023

\* cited by examiner

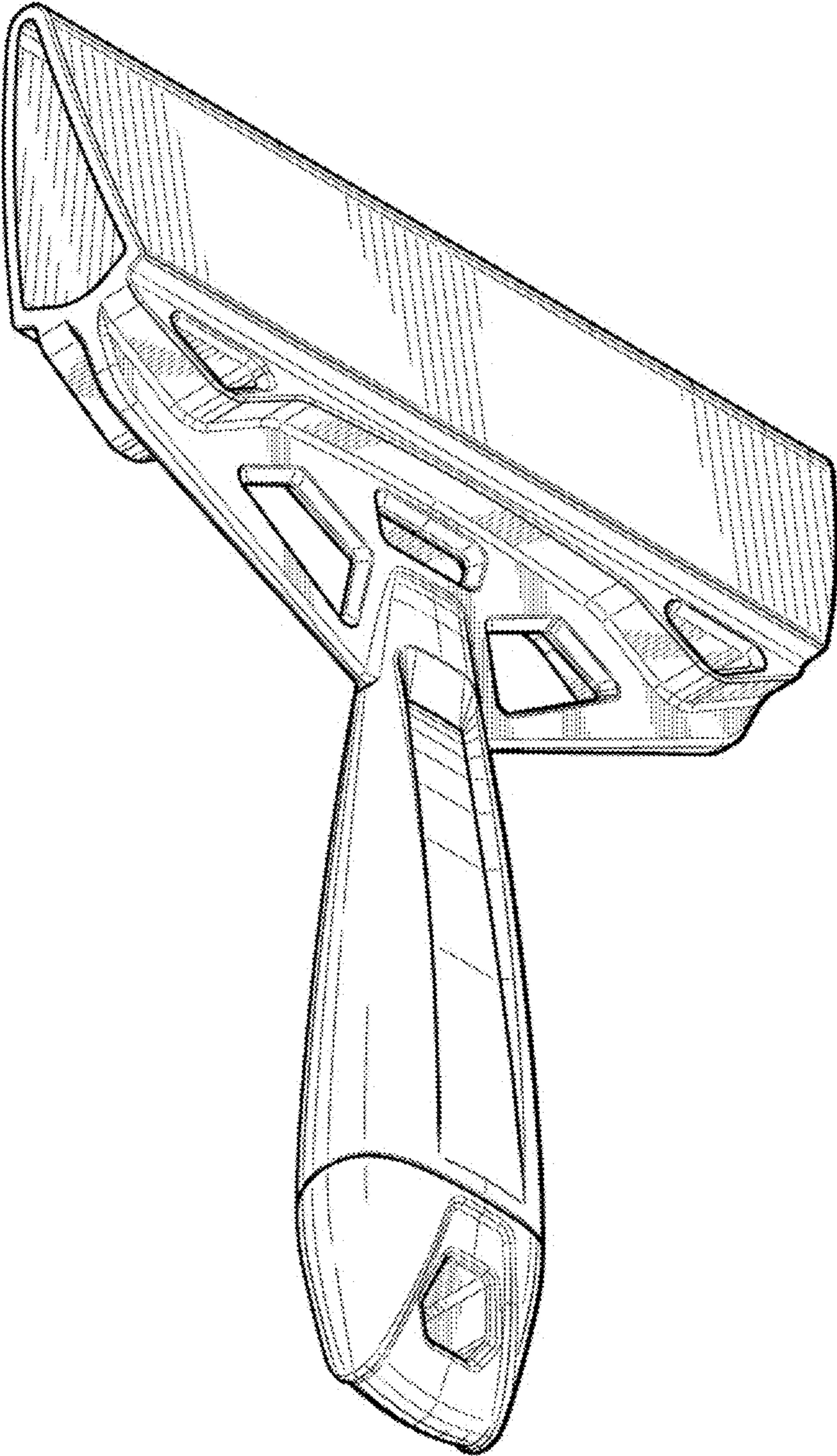


FIG. 1

