



US00D790310S

(12) **United States Design Patent**
St. Peter

(10) **Patent No.:** **US D790,310 S**
(45) **Date of Patent:** **** Jun. 27, 2017**

(54) **HANDLE ADAPTER FOR A BENCH VICE**

FOREIGN PATENT DOCUMENTS

(71) Applicant: **Lawrence St. Peter**, Hubbell, MI (US)

DE 102008003125 A1 7/2008
DE 202012000468 U1 5/2012

(72) Inventor: **Lawrence St. Peter**, Hubbell, MI (US)

(Continued)

(**) Term: **15 Years**

Primary Examiner — Melanie H Tung
Assistant Examiner — Bao-Yen Nguyen

(21) Appl. No.: **29/540,089**

(74) *Attorney, Agent, or Firm* — Gardner, Linn, Burkhardt & Flory, LLP

(22) Filed: **Sep. 21, 2015**

(57) **CLAIM**

I claim the ornamental design for a handle adapter for a bench vice, as shown and described.

(51) **LOC (10) Cl.** **08-05**

DESCRIPTION

(52) **U.S. Cl.**

USPC **D8/74**

(58) **Field of Classification Search**

USPC D8/71-74, 355, 356, 394-399

CPC .. B25B 5/00; B25B 5/02; B25B 5/067; B25B 5/082

See application file for complete search history.

FIG. 1 is an upper perspective view of a handle adapter for a bench vice showing my new design, the broken line showing the bench vice forms no part of the claimed design; FIG. 2 is another upper perspective view of the handle adapter for a bench vice showing my new design; FIG. 3 is another upper perspective view of the handle adapter for a bench vice of FIG. 2; FIG. 4 is an end perspective view of the handle adapter for a bench vice of FIG. 2;

(56) **References Cited**

U.S. PATENT DOCUMENTS

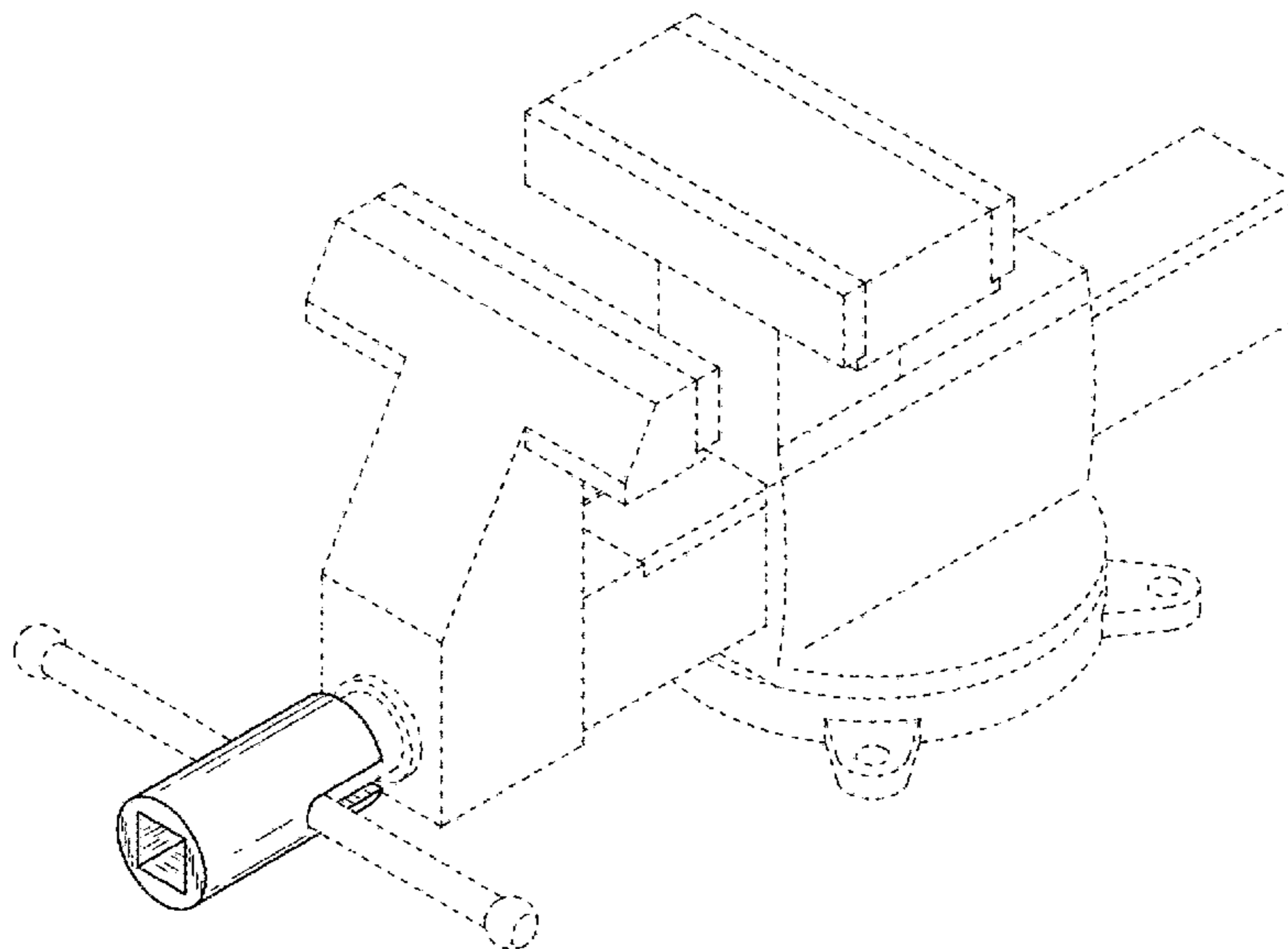
1,476,628	A	12/1923	McDaniel et al.	
1,490,674	A	4/1924	Merrifield	
2,421,414	A	6/1947	Ernst	
2,443,824	A	6/1948	Johnson	
2,528,068	A *	10/1950	Marshall	B25B 13/44
				81/125
3,024,031	A *	3/1962	Davidson	B25G 3/26
				16/429
3,982,740	A	9/1976	Gutman	
4,133,519	A *	1/1979	Shin	B25B 1/103
				269/247
4,179,105	A	12/1979	Krulwich	
D283,100	S *	3/1986	Porter	D8/396
4,627,761	A *	12/1986	Olson	B25B 23/0035
				403/324

FIG. 5 is a side elevational view of the handle adapter for a bench vice of FIG. 2, the opposite side elevational view is a mirror image of this view, and therefore has been omitted; FIG. 6 is a plan view of the handle adapter for a bench vice of FIG. 2, the opposite plan view is a mirror image of this view, and therefore has been omitted; FIG. 7 is an end view of the handle adapter for a bench vice of FIG. 2; and, FIG. 8 is an opposite end view of the handle adapter for a bench vice of FIG. 7.

In the drawings, the broken lines depict environmental subject matter in FIG. 1 and boundaries of claimed subject matter in FIGS. 4 and 8. In the drawings, the broken lines depict boundaries of the claimed subject matter in FIGS. 4 and 8. The broken lines form no part of the claimed design.

(Continued)

1 Claim, 2 Drawing Sheets



(56)

References Cited

U.S. PATENT DOCUMENTS

4,635,912 A 1/1987 Donnelly
 4,692,073 A * 9/1987 Martindell B23B 31/1071
 279/75
 D308,016 S * 5/1990 Tritton D8/394
 D310,185 S * 8/1990 Tick D11/182
 4,951,409 A * 8/1990 Froid B25B 13/48
 42/90
 D320,915 S * 10/1991 Sanguino D8/14
 5,069,433 A 12/1991 Womack
 5,133,536 A 7/1992 Goodman
 5,137,243 A 8/1992 Stevens et al.
 5,149,071 A 9/1992 Oliveira
 5,222,997 A 6/1993 Montgomery
 5,244,194 A 9/1993 Nishimura
 5,489,089 A * 2/1996 Vollrath B23Q 3/183
 269/238
 5,975,788 A * 11/1999 Cousins B23Q 3/18
 403/289
 D432,403 S * 10/2000 Svensson D8/394
 D433,302 S * 11/2000 Hembroff D8/74
 6,409,148 B1 * 6/2002 Dempsey F16K 31/602
 137/625.17
 6,485,031 B2 * 11/2002 Chen A01B 1/227
 279/76
 D468,612 S * 1/2003 Coulter D8/72
 D476,553 S * 7/2003 Niwa D6/328
 D477,770 S * 7/2003 Baker D8/373
 D548,035 S * 8/2007 Watanabe D8/72
 D610,900 S * 3/2010 Piermayr D8/394
 D641,615 S * 7/2011 Lin D8/394
 D693,389 S * 11/2013 Koehler D15/138
 9,004,476 B2 4/2015 Schmidt
 D741,700 S * 10/2015 Mock F16C 35/02
 D8/396
 D756,210 S * 5/2016 Downs D8/395
 2002/0050673 A1 5/2002 Collins

2003/0136227 A1 * 7/2003 Pliley B25B 1/2405
 81/6
 2003/0192409 A1 * 10/2003 Wallace B25B 13/06
 81/121.1
 2008/0255623 A1 10/2008 Steiner et al.
 2008/0296866 A1 * 12/2008 Martin B62B 5/06
 280/304.5
 2009/0039582 A1 * 2/2009 McKeirnan B25B 5/102
 269/216
 2011/0272537 A1 11/2011 Gindy et al.
 2012/0068394 A1 3/2012 Baker
 2012/0246920 A1 * 10/2012 Montena H01R 4/646
 29/825
 2013/0087963 A1 4/2013 Schmidt
 2014/0131110 A1 5/2014 Randa et al.
 2014/0246824 A1 9/2014 Fiegenger et al.
 2014/0346725 A1 * 11/2014 Schwaiger B25B 1/2484
 269/100
 2014/0361479 A1 * 12/2014 Zhang B25B 1/125
 269/245
 2015/0107422 A1 4/2015 Li
 2015/0107894 A1 4/2015 Hayashi et al.
 2015/0112436 A1 4/2015 Siegal et al.
 2015/0113792 A1 4/2015 Jacobs et al.
 2015/0119887 A1 4/2015 May et al.
 2016/0025433 A1 * 1/2016 Mathis F28G 15/02
 269/1

FOREIGN PATENT DOCUMENTS

DE 102012000905 A1 7/2013
 DE 102012104660 A1 12/2013
 EP 2105257 A2 9/2009
 GB 2369314 A * 5/2002
 GB 2480964 A 7/2011
 LT 2013116 A 4/2015
 WO 2015054722 A1 4/2015

* cited by examiner

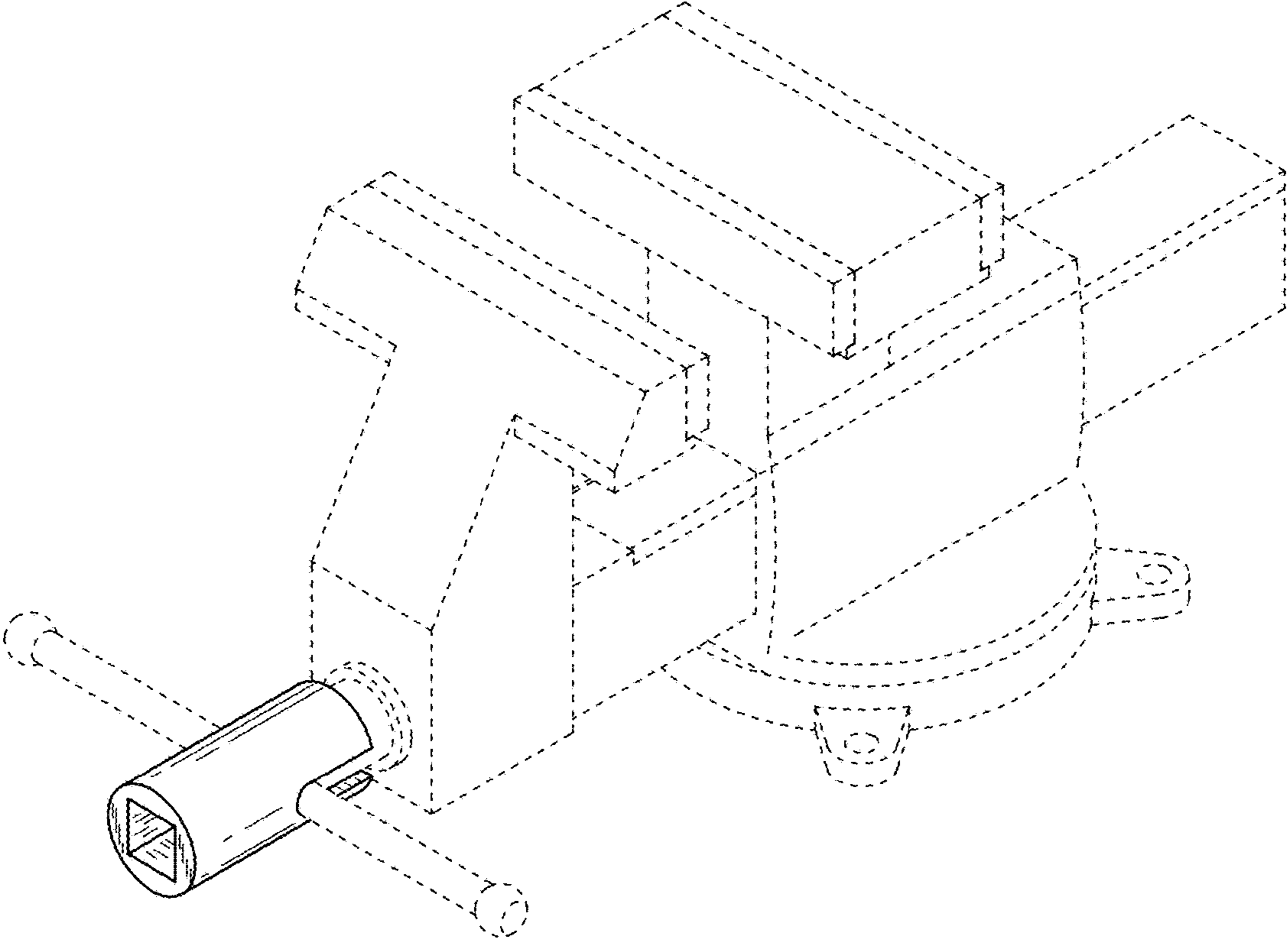


FIG. 1

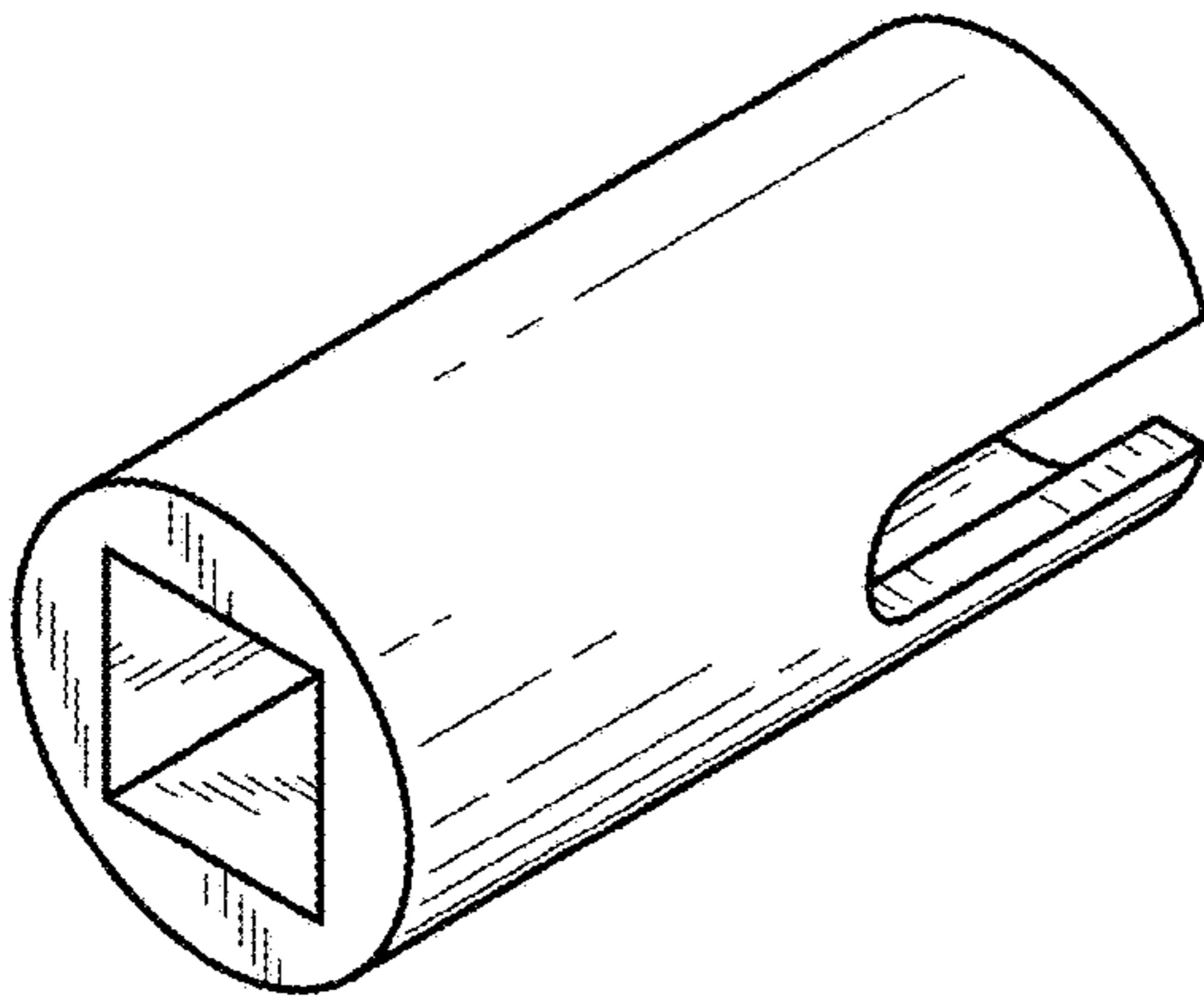


FIG. 2

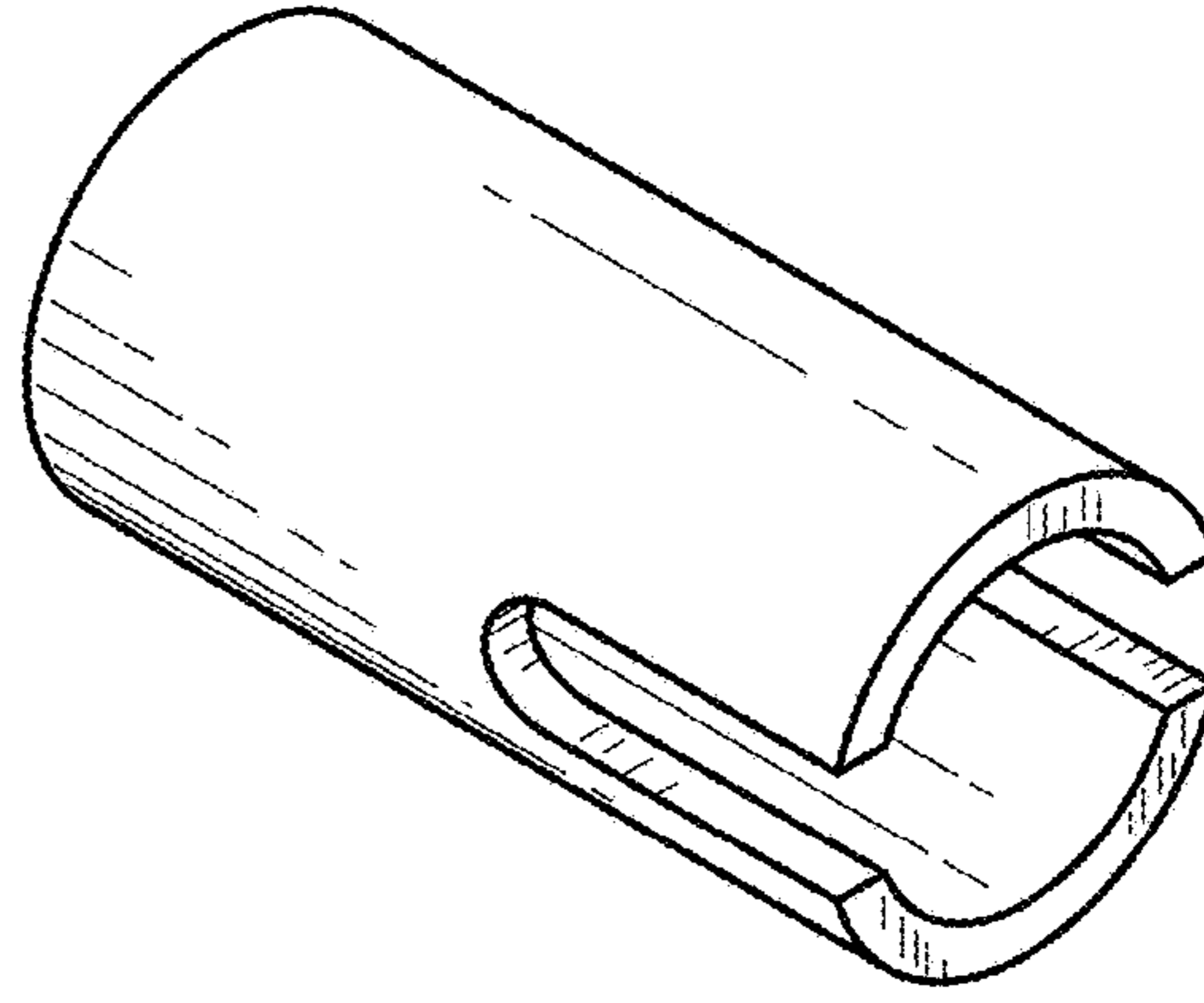


FIG. 3

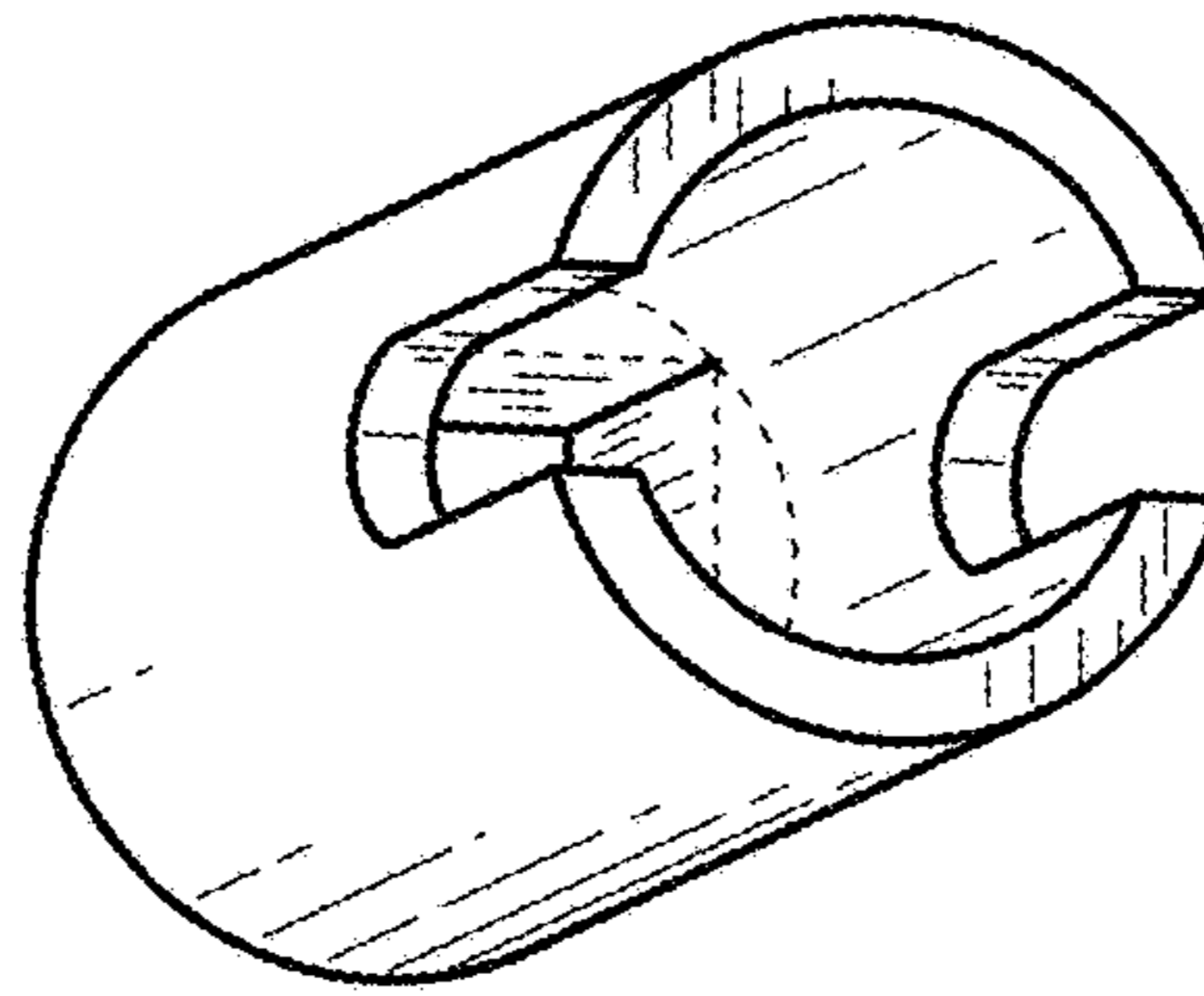


FIG. 4

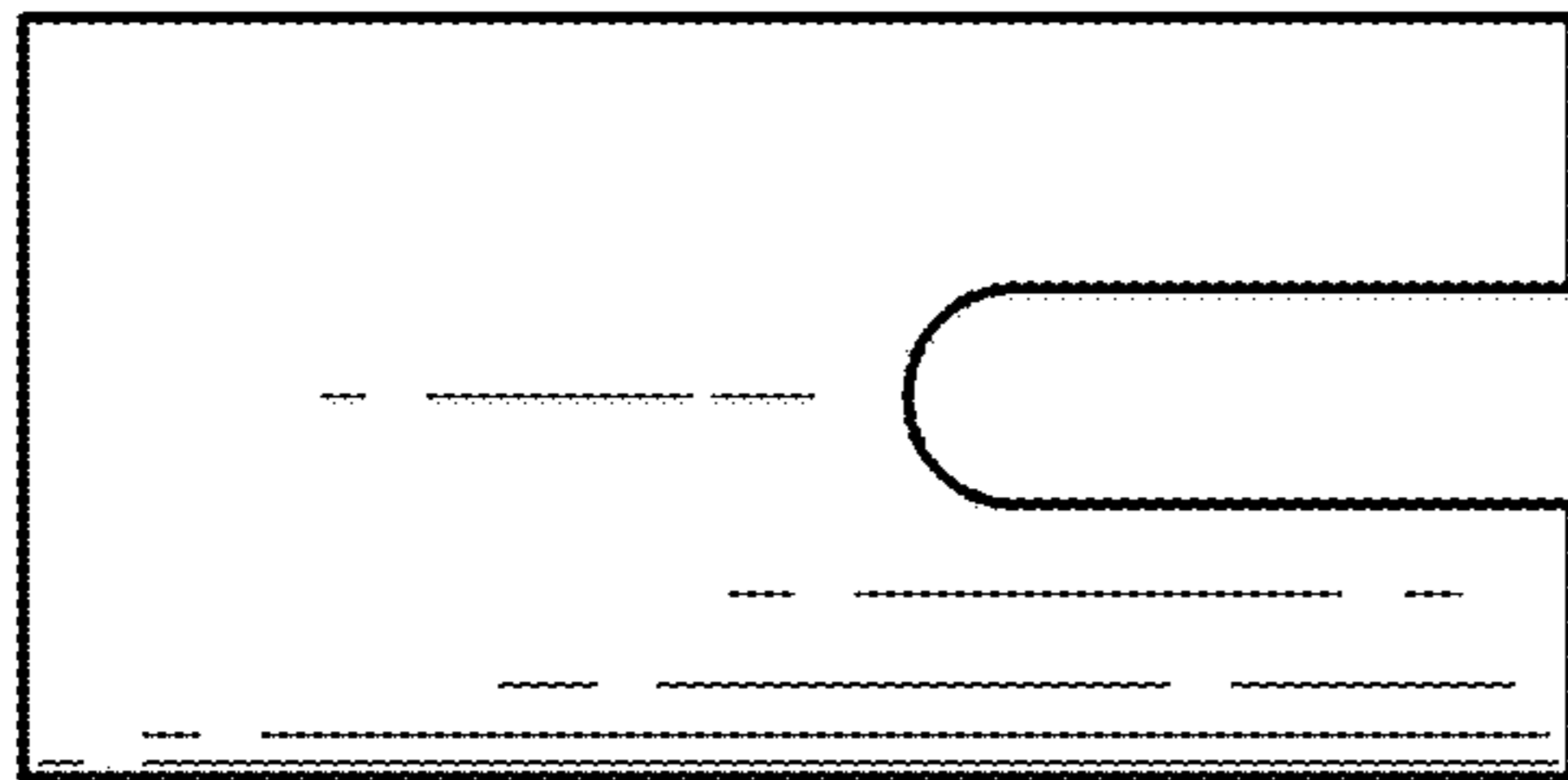


FIG. 5

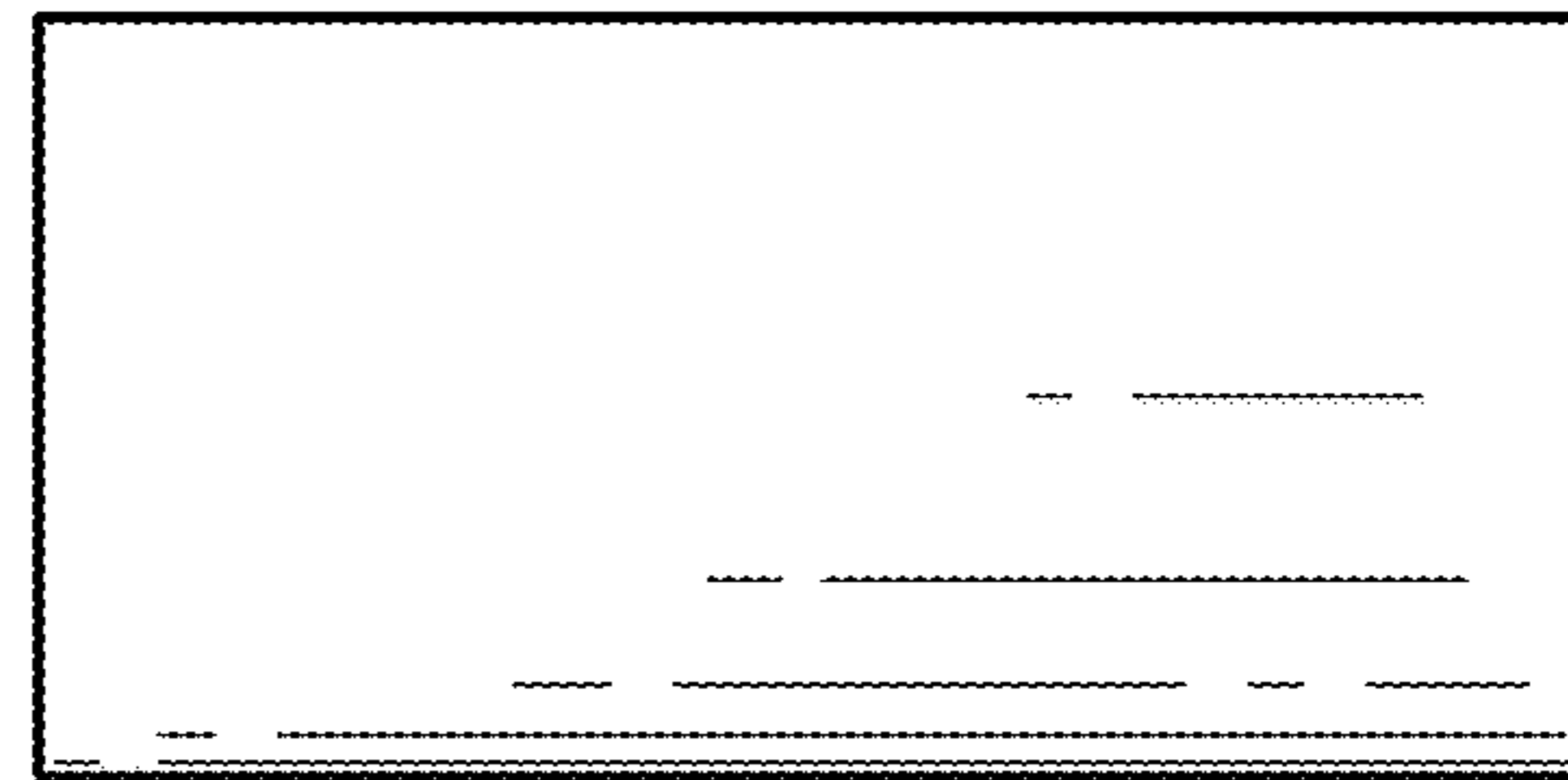


FIG. 6

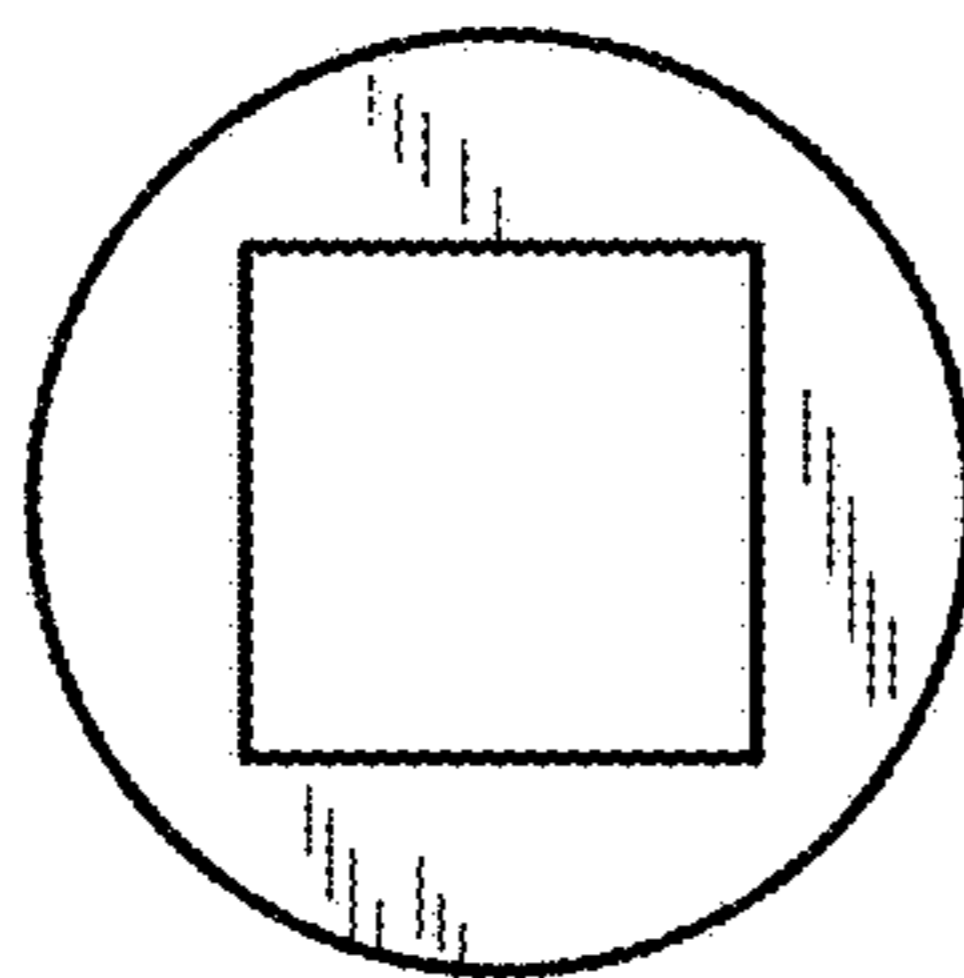


FIG. 7

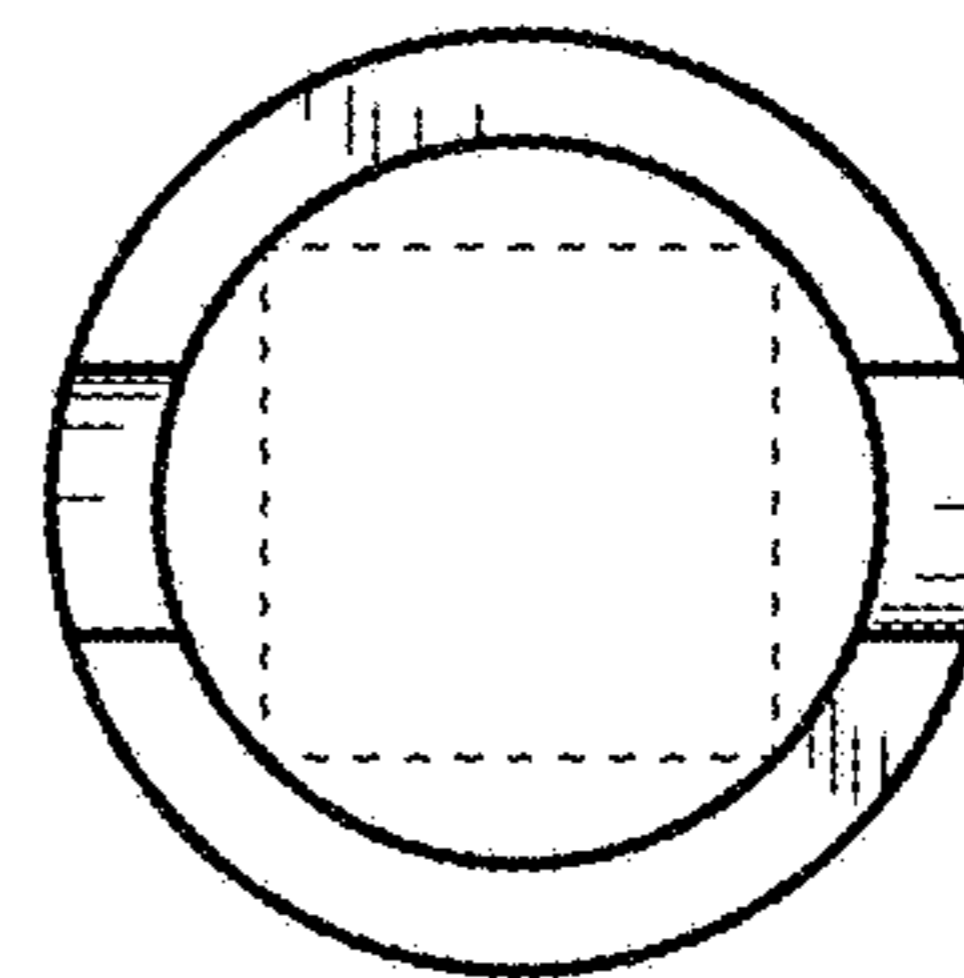


FIG. 8