



US00D790309S

(12) **United States Design Patent**
Liao

(10) **Patent No.:** **US D790,309 S**

(45) **Date of Patent:** **** Jun. 27, 2017**

(54) **CLAMP**

(71) Applicant: **Eric Liao**, Taichung (TW)

(72) Inventor: **Eric Liao**, Taichung (TW)

(**) Term: **15 Years**

(21) Appl. No.: **29/574,449**

(22) Filed: **Aug. 15, 2016**

(51) **LOC (10) Cl.** **08-05**

(52) **U.S. Cl.**
USPC **D8/72**

(58) **Field of Classification Search**
USPC D8/71-74, 394-399, 59; 248/63, 72,
248/74.1, 689, 124.2; 81/487, 385, 386,
81/388-390; 269/3, 4, 6, 143, 165, 240,
269/243, 246-249, 254 R, 147-149;
29/256, 257, 276; 408/103, 104-109
CPC B25B 1/00; B25B 5/00
See application file for complete search history.

(56) **References Cited**

U.S. PATENT DOCUMENTS

- D233,312 S * 10/1974 Lock D24/143
- 4,170,995 A * 10/1979 Levine A61M 25/02
128/DIG. 26
- 6,254,320 B1 * 7/2001 Weinstein B23B 47/287
408/103
- 6,837,472 B1 * 1/2005 Beutz A45F 3/16
224/148.4
- D507,481 S * 7/2005 Blake D8/356

- D552,461 S * 10/2007 Oas D6/326
- D552,978 S * 10/2007 Liao D8/395
- D569,718 S * 5/2008 Nakamura D8/394
- D670,998 S * 11/2012 Lavoie D8/395
- D697,779 S * 1/2014 Iwasaki D8/72
- D716,137 S * 10/2014 Szymanski D8/395
- D722,490 S * 2/2015 Lyons D8/395
- D781,694 S * 3/2017 Iwata D8/14

* cited by examiner

Primary Examiner — David Muller

(74) *Attorney, Agent, or Firm* — Bruce Stone LLP;
Joseph Bruce

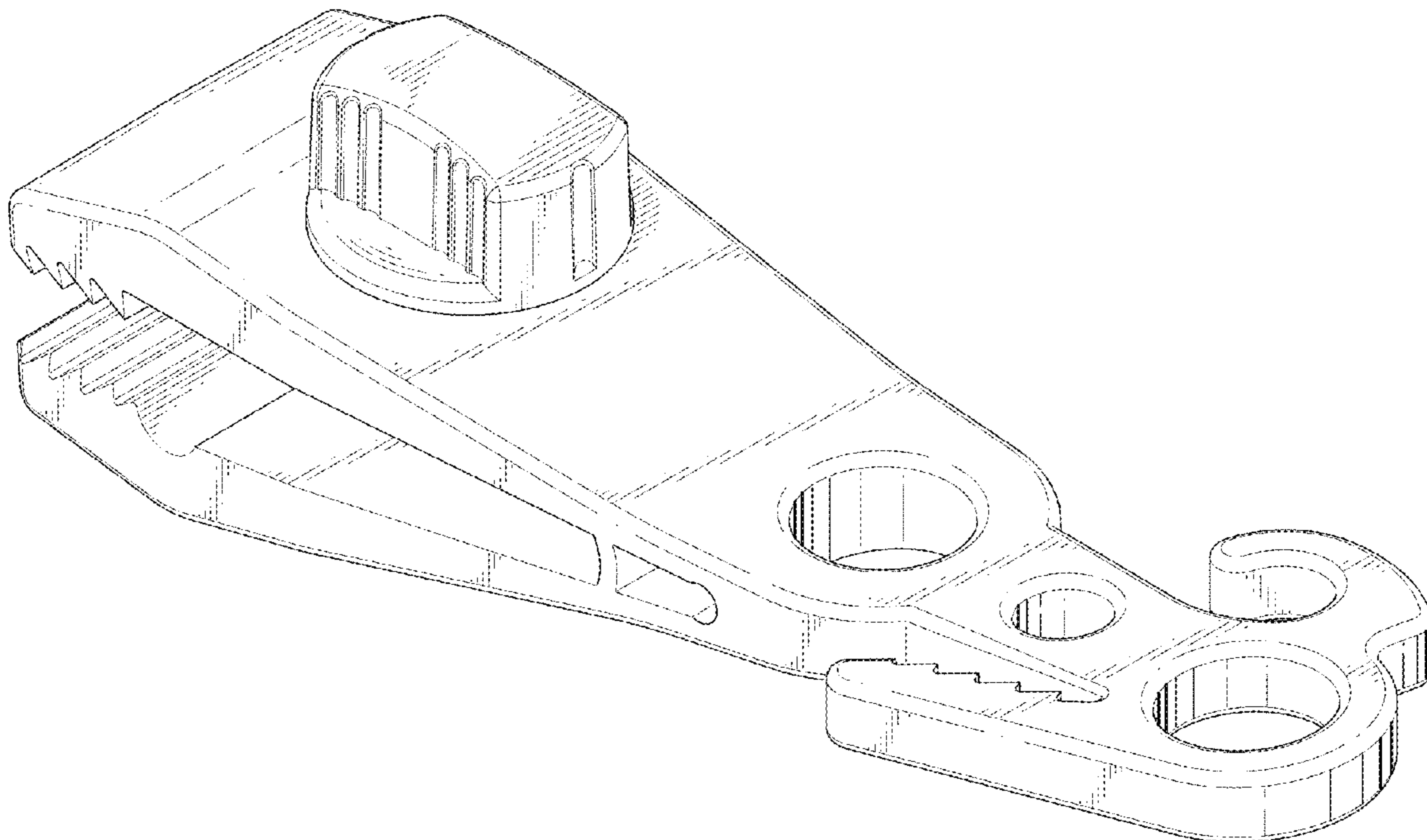
(57) **CLAIM**

The ornamental design for clamp, as shown and described.

DESCRIPTION

FIG. 1 is a perspective view of a clamp showing my new design;
 FIG. 2 is a front view thereof;
 FIG. 3 is a rear view thereof;
 FIG. 4 is a left side view thereof;
 FIG. 5 is a right side view thereof;
 FIG. 6 is a top plan view thereof;
 FIG. 7 is a bottom plan view thereof;
 FIG. 8 is a cross-sectional view thereof showing the clamp in another position when it is engaged; and,
 FIG. 9 is perspective view thereof shown in use.
 The broken lines in the drawings represent unclaimed environment only and form no part of claimed design.

1 Claim, 8 Drawing Sheets



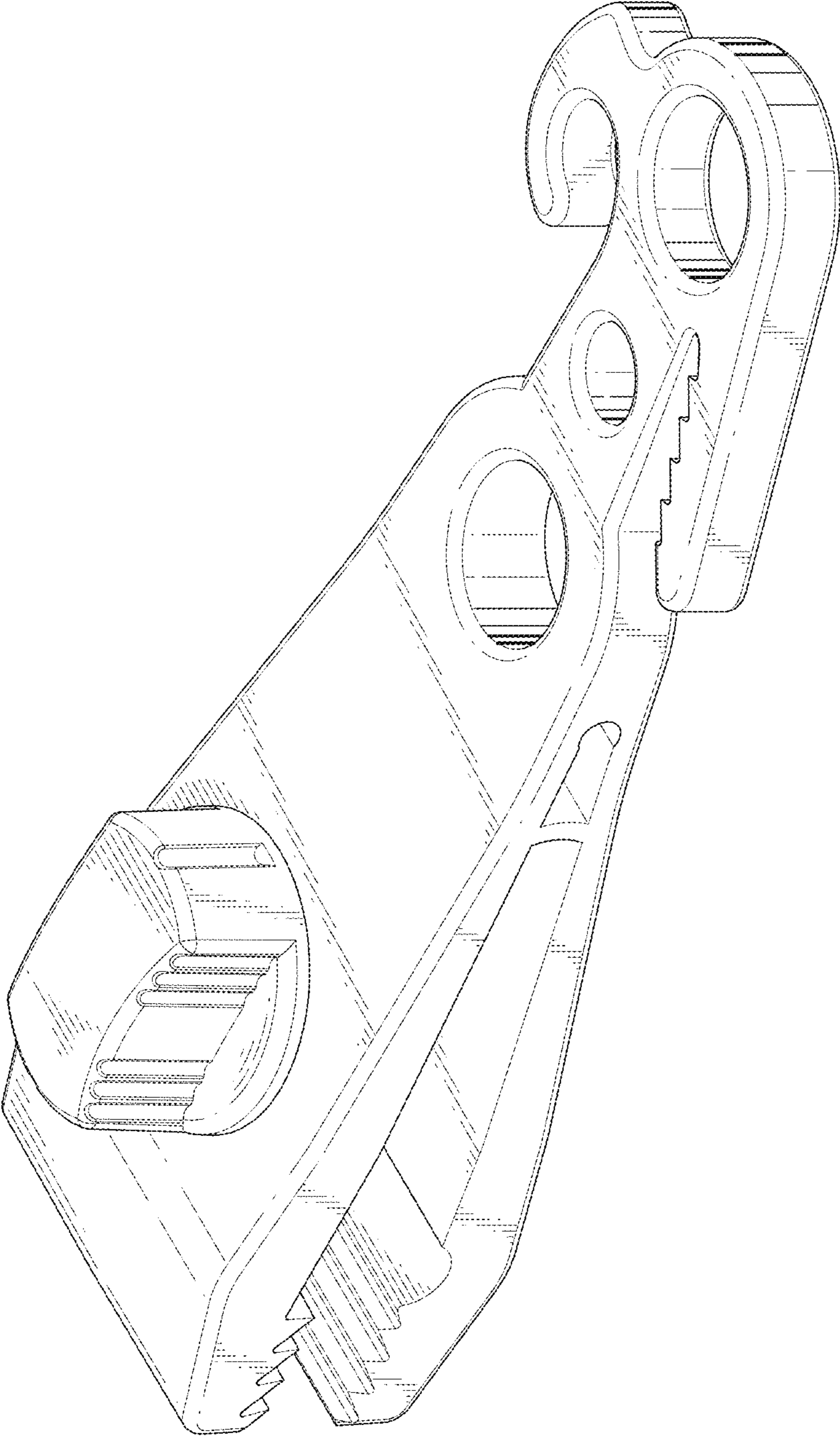


FIG.1

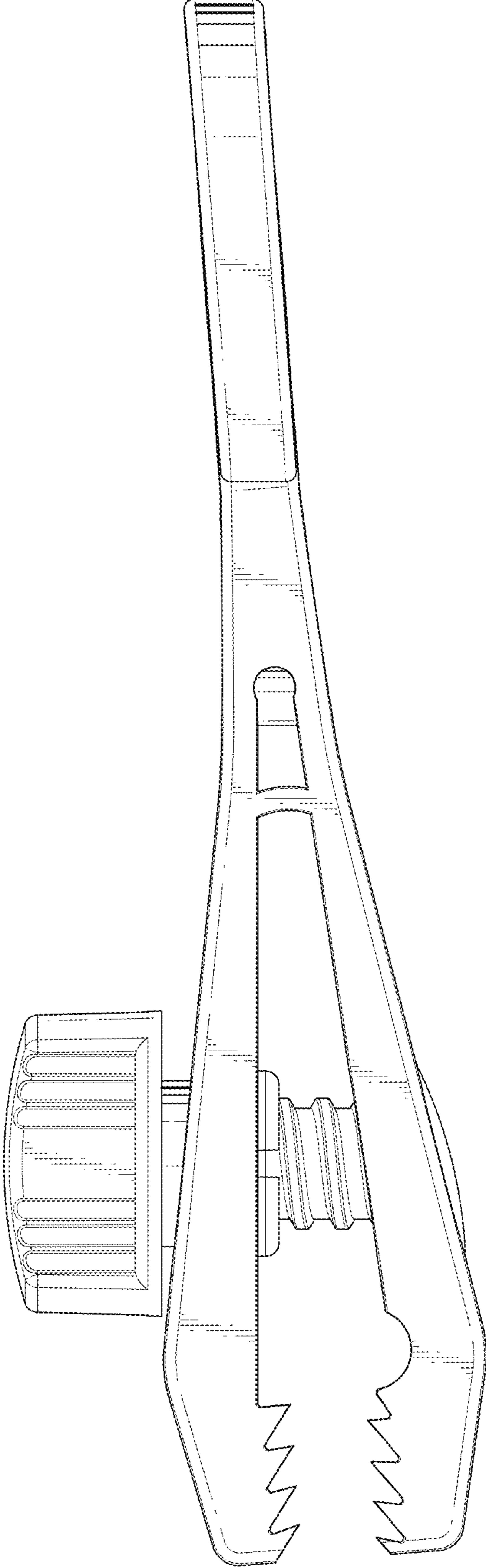


FIG.2

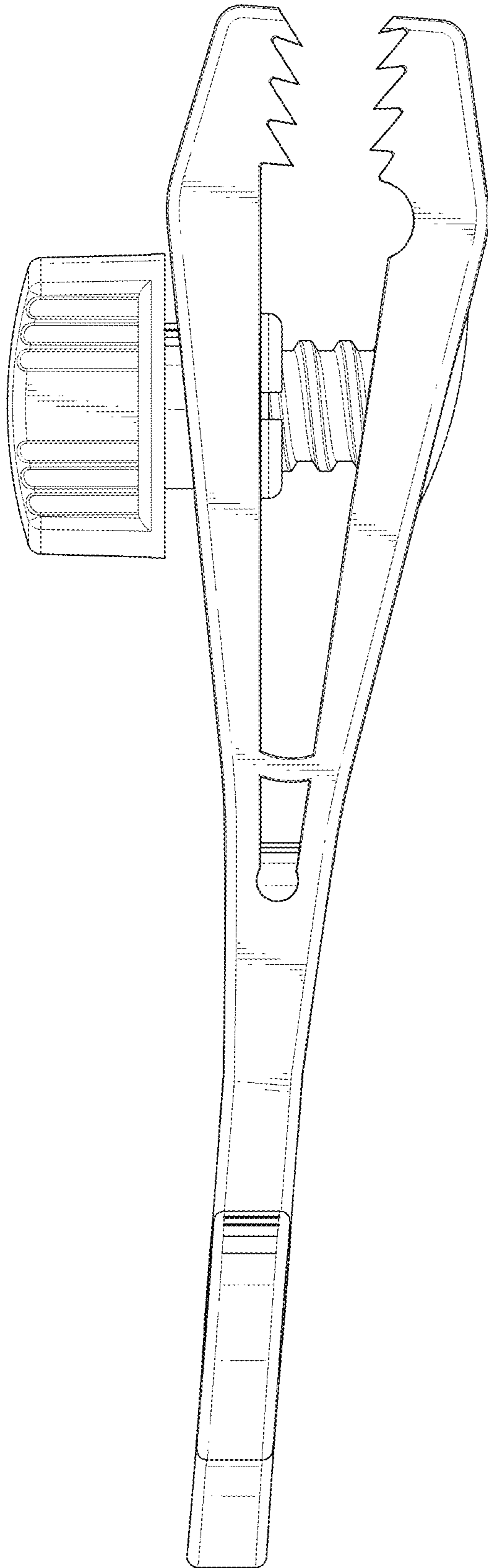


FIG.3

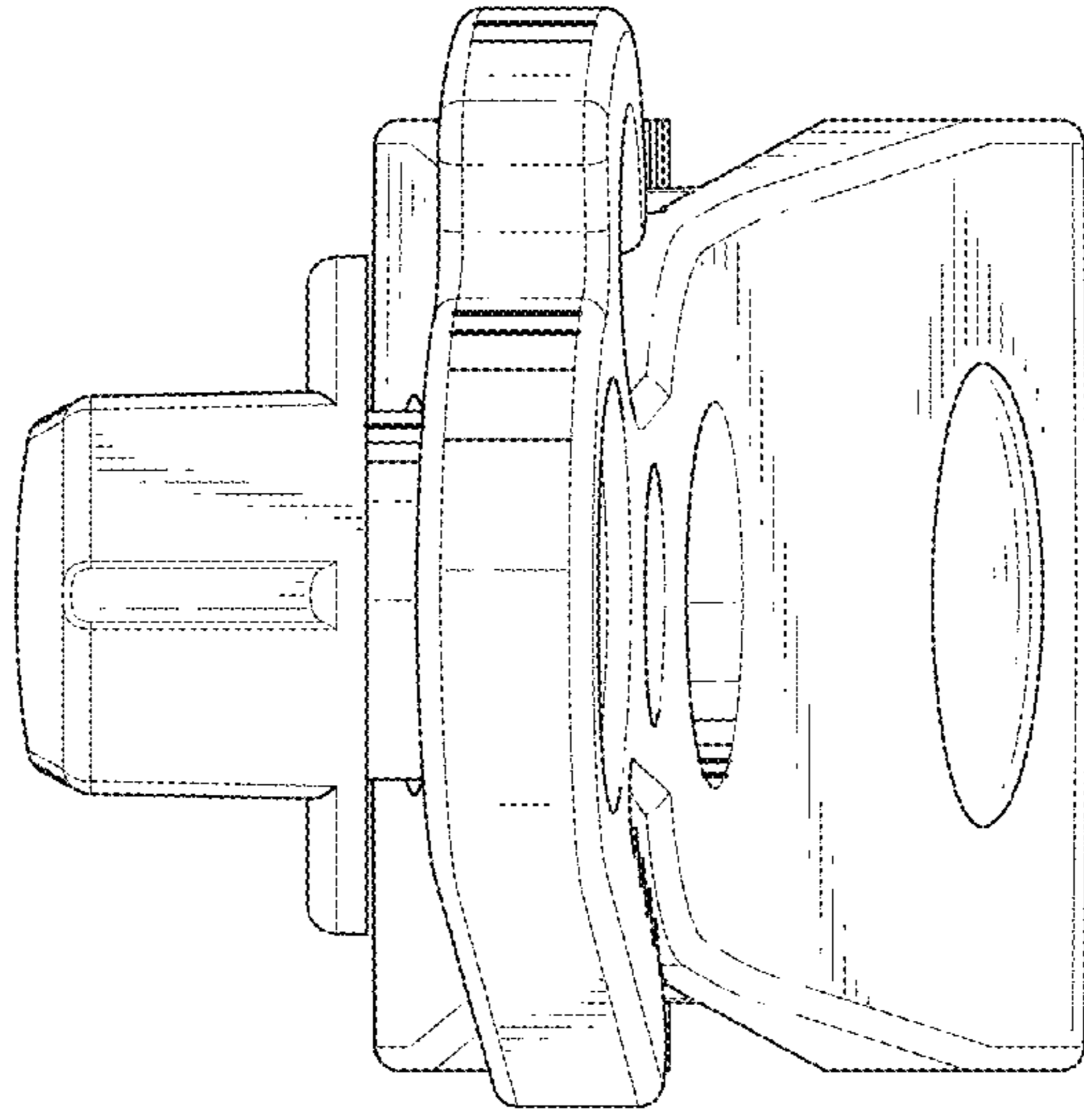


FIG. 5

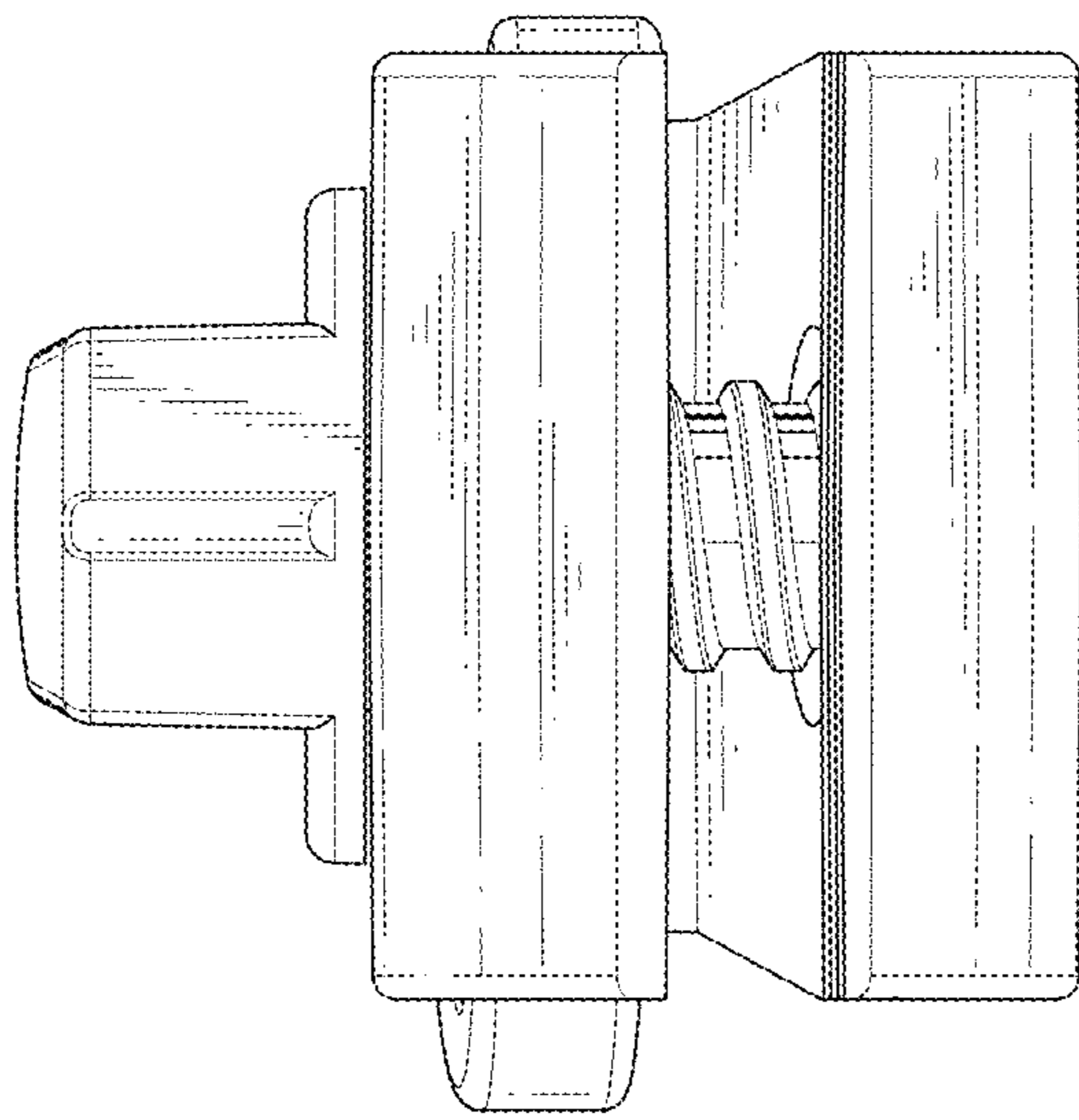


FIG. 4

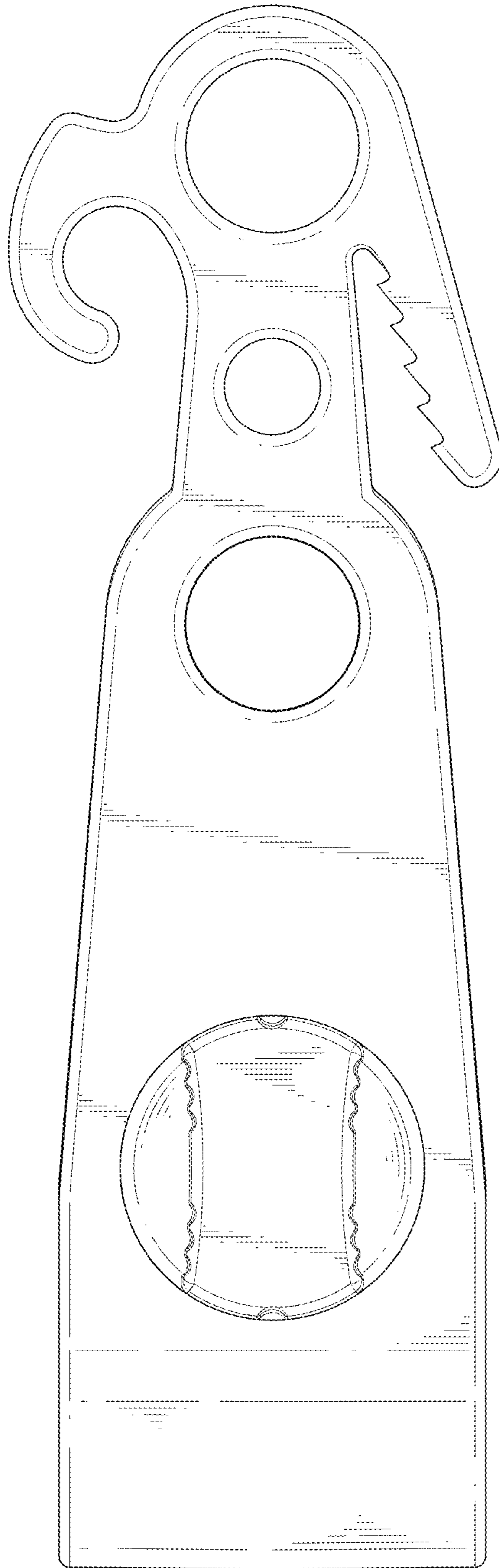


FIG.6

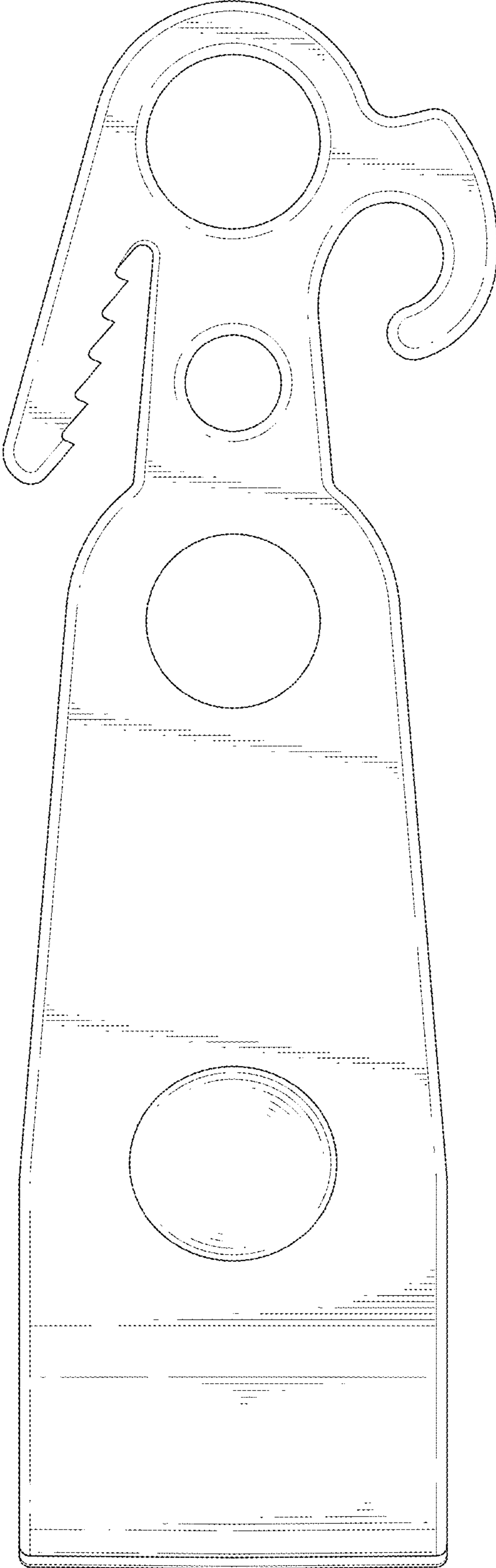


FIG.7

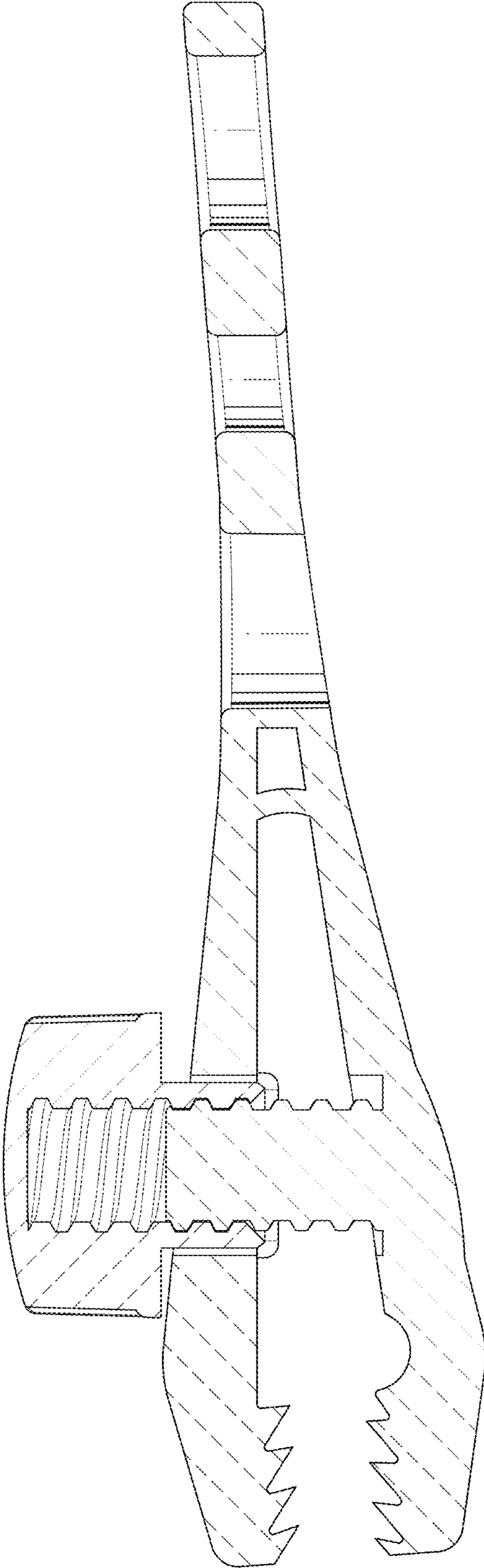


FIG.8

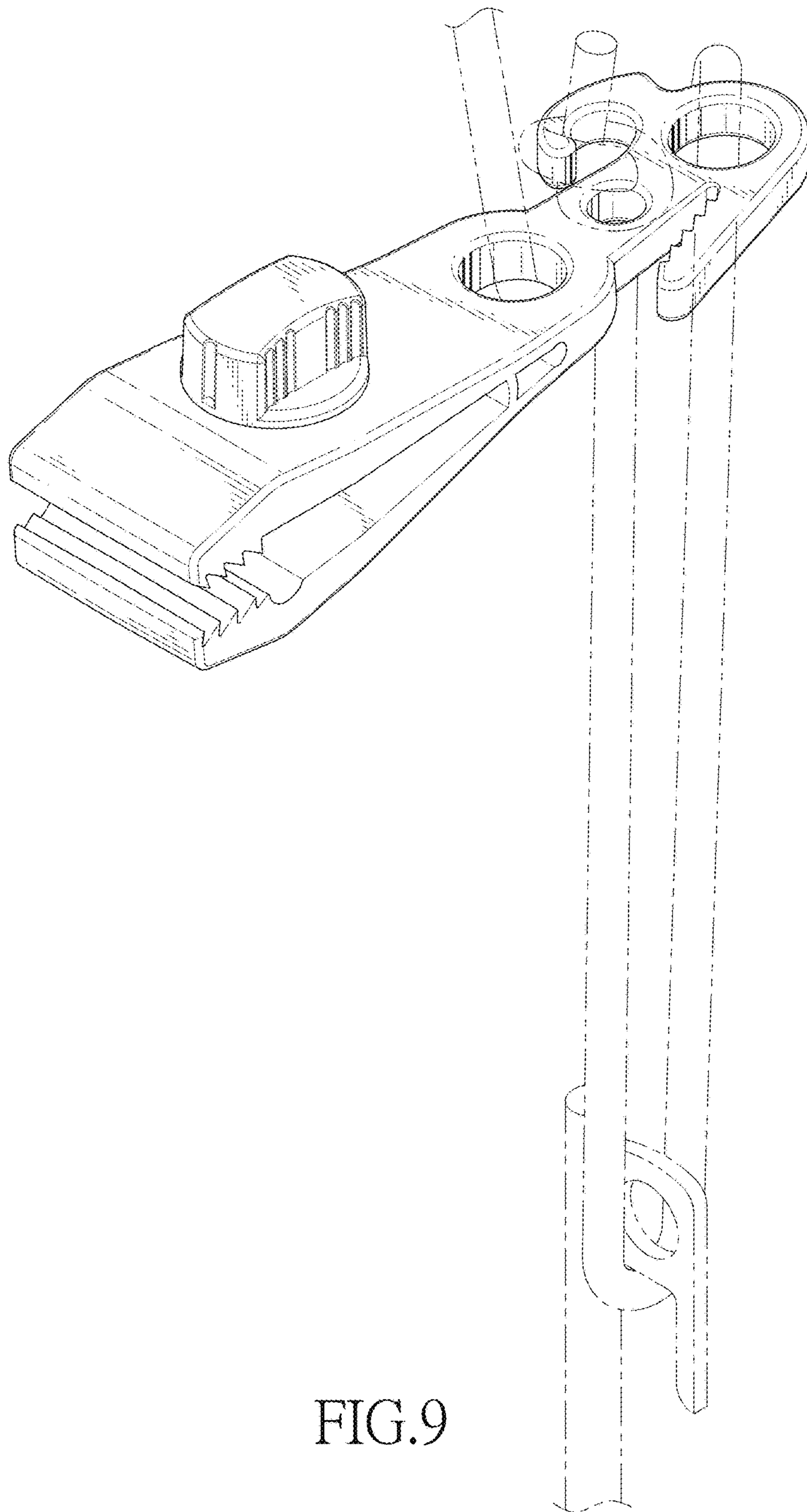


FIG.9