



US00D790308S

(12) **United States Design Patent**  
**Larard**

(10) **Patent No.:** **US D790,308 S**

(45) **Date of Patent:** **\*\* Jun. 27, 2017**

(54) **LADDER CLAMP**  
(71) Applicant: **I & S Larard Pty Ltd**, Bulimba,  
Brisbane, Queensland (AU)  
(72) Inventor: **Ian Larard**, Brisbane (AU)  
(73) Assignee: **I & S Larard Pty Ltd.**, Brisbane (AU)  
(\*\*) Term: **15 Years**

5,092,427 A \* 3/1992 MacMillan ..... B25B 5/04  
182/129  
D443,489 S \* 6/2001 Walser ..... D8/51  
D470,400 S \* 2/2003 Fraser ..... D8/396  
7,140,582 B1 \* 11/2006 Miller ..... B25B 5/068  
248/229.22  
D664,838 S \* 8/2012 Parks ..... D8/395  
D672,229 S \* 12/2012 Reid ..... D8/396  
D702,100 S \* 4/2014 Larard ..... D8/72

(Continued)

*Primary Examiner* — David Muller

(74) *Attorney, Agent, or Firm* — Renner, Otto, Boisselle  
& Sklar, LLP

(21) Appl. No.: **29/527,766**

(22) Filed: **May 21, 2015**

(57) **CLAIM**

The ornamental design for a ladder clamp, as shown and described.

(30) **Foreign Application Priority Data**

Nov. 21, 2014 (AU) ..... 15978/2014

(51) **LOC (10) Cl.** ..... **08-05**

(52) **U.S. Cl.**  
USPC ..... **D8/72**

(58) **Field of Classification Search**  
USPC ..... D8/71–74, 394–399, 59; 248/63, 72,  
248/74.1, 689, 124.2; 81/487, 385, 386,  
81/388–390; 269/3, 4, 6, 143, 165, 240,  
269/243, 246–249, 254 R, 147–149;  
29/256, 257, 276; 408/103, 104–109  
CPC ..... B25B 1/00; B25B 5/00  
See application file for complete search history.

**DESCRIPTION**

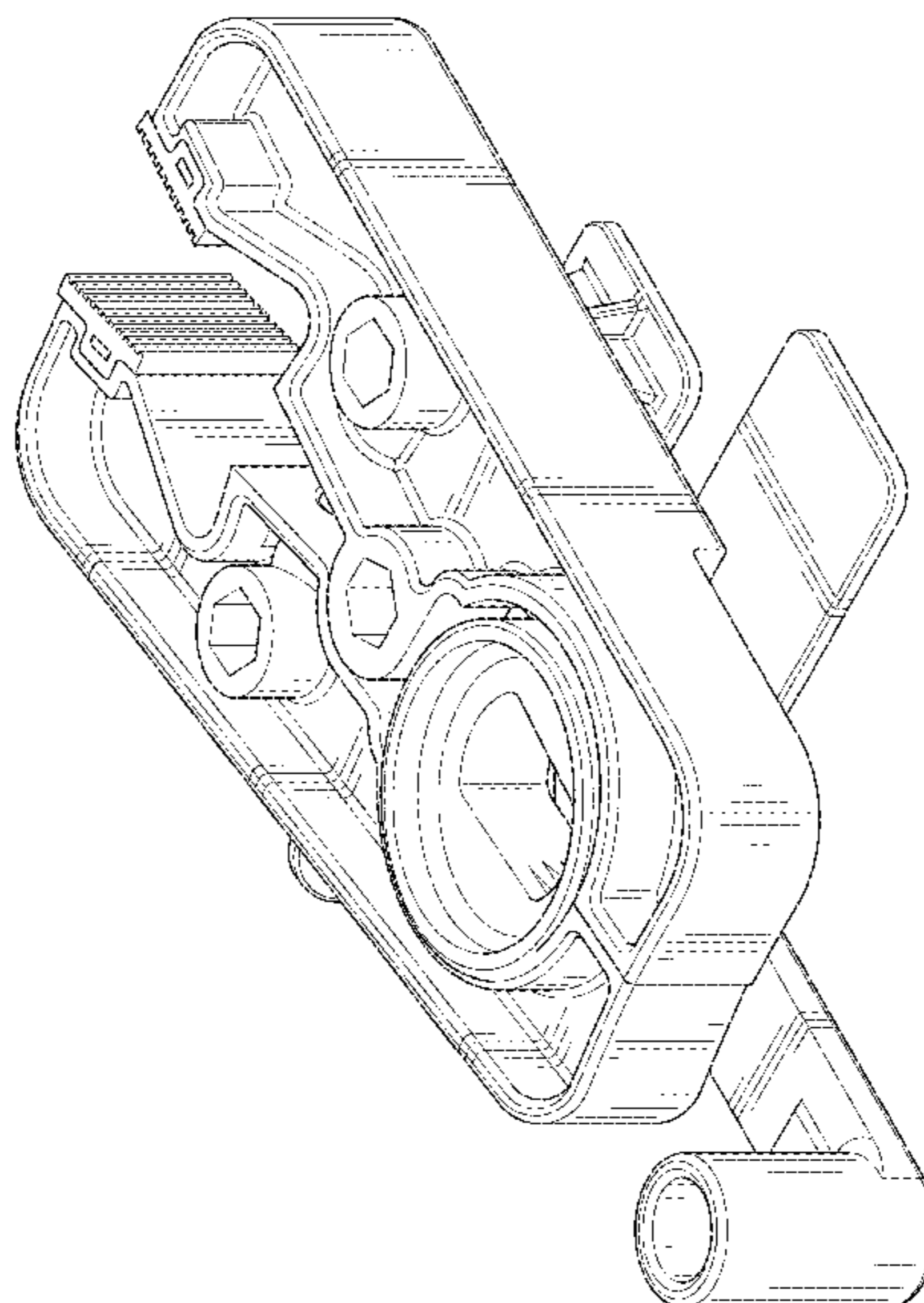
FIG. 1 is a front view of a ladder clamp showing my design with the jaws in an open position;  
FIG. 2 is a top right front perspective view thereof;  
FIG. 3 is another top right front perspective view thereof;  
FIG. 4 is rear view thereof;  
FIG. 5 is top right rear perspective view thereof;  
FIG. 6 is a bottom right rear perspective view thereof;  
FIG. 7 is a left side view thereof;  
FIG. 8 is a right side view thereof;  
FIG. 9 is a top view thereof;  
FIG. 10 is a rear view of the ladder clamp with the jaws in a closed position;  
FIG. 11 is a top right rear perspective view thereof;  
FIG. 12 is a bottom right rear perspective view thereof;  
FIG. 13 is a front view thereof;  
FIG. 14 is a top right front perspective view thereof;  
FIG. 15 is another top right front perspective view thereof;  
FIG. 16 is a left side view thereof;  
FIG. 17 is a right side view thereof; and,  
FIG. 18 is a top view thereof.

(56) **References Cited**

U.S. PATENT DOCUMENTS

1,717,486 A \* 6/1929 Allen ..... E06C 5/24  
248/503  
2,550,365 A \* 4/1951 McKenzie ..... E06C 7/14  
24/457  
3,105,667 A \* 10/1963 Bauer ..... E06C 7/50  
248/499  
3,910,380 A \* 10/1975 Nameche ..... E06C 7/48  
182/206

**1 Claim, 18 Drawing Sheets**



(56)

**References Cited**

U.S. PATENT DOCUMENTS

9,022,268 B2 \* 5/2015 Gallagher ..... B25B 5/068  
224/323  
D770,886 S \* 11/2016 Whitaker ..... D8/394

\* cited by examiner

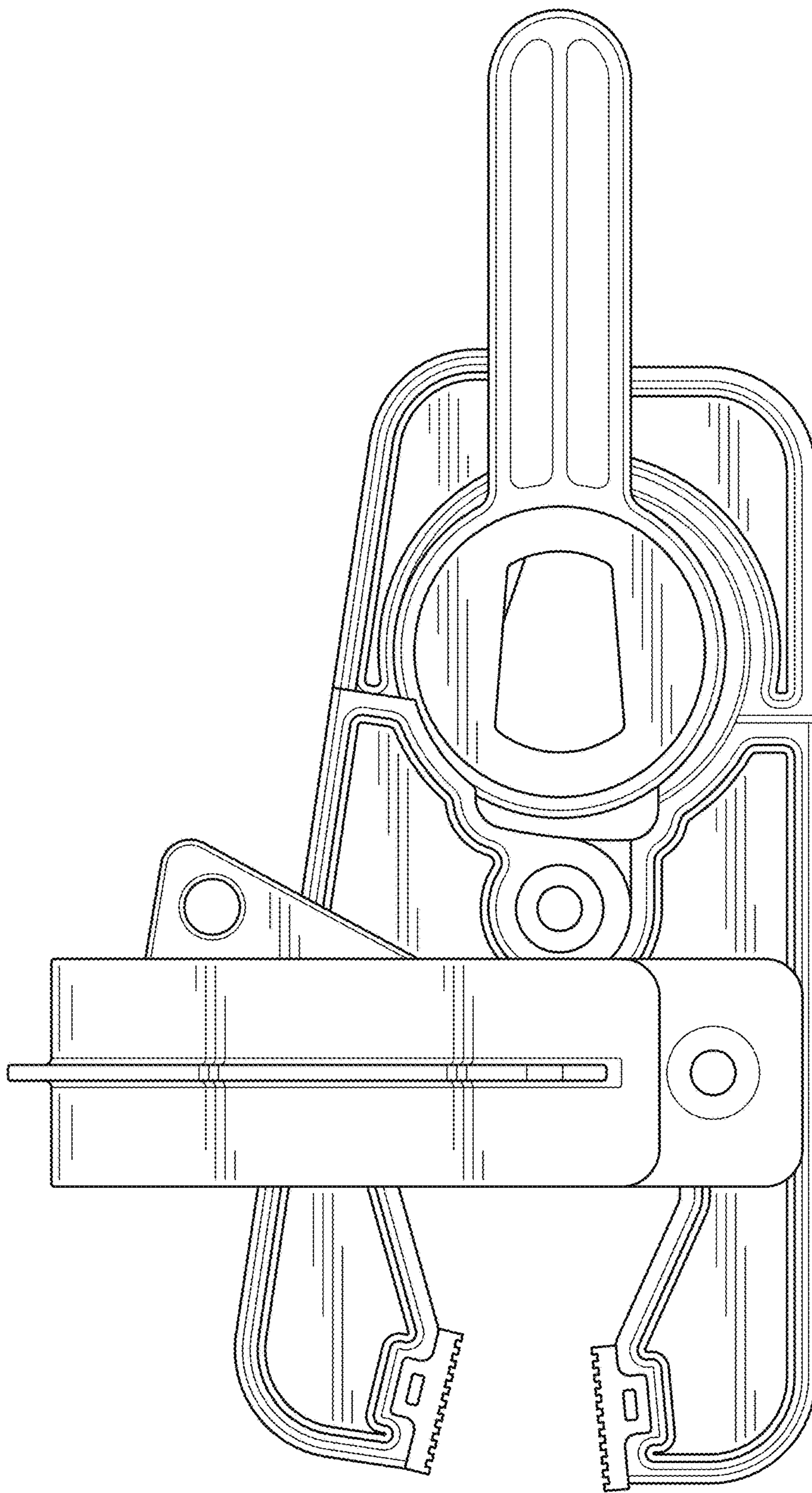


FIG. 1

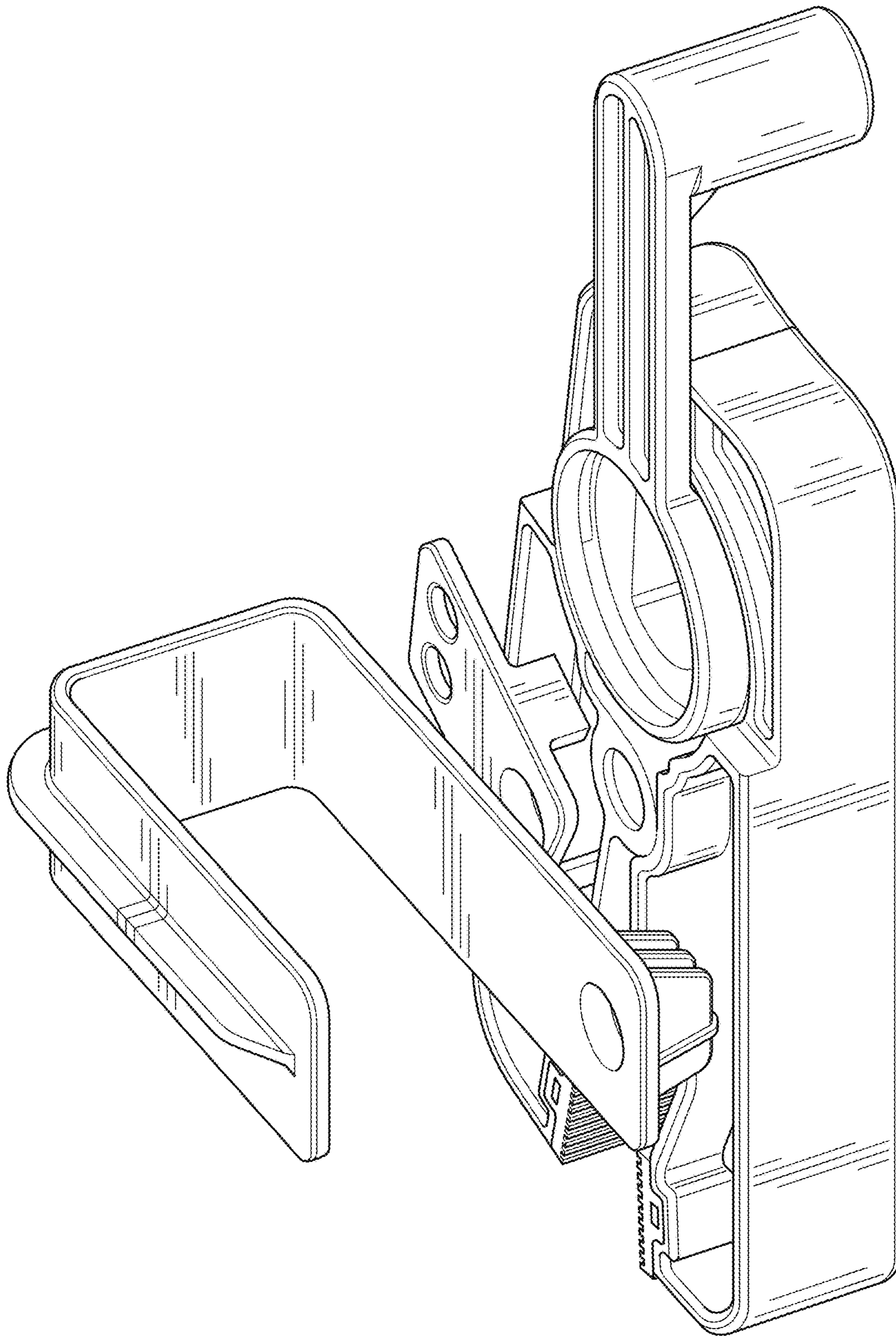


FIG. 2

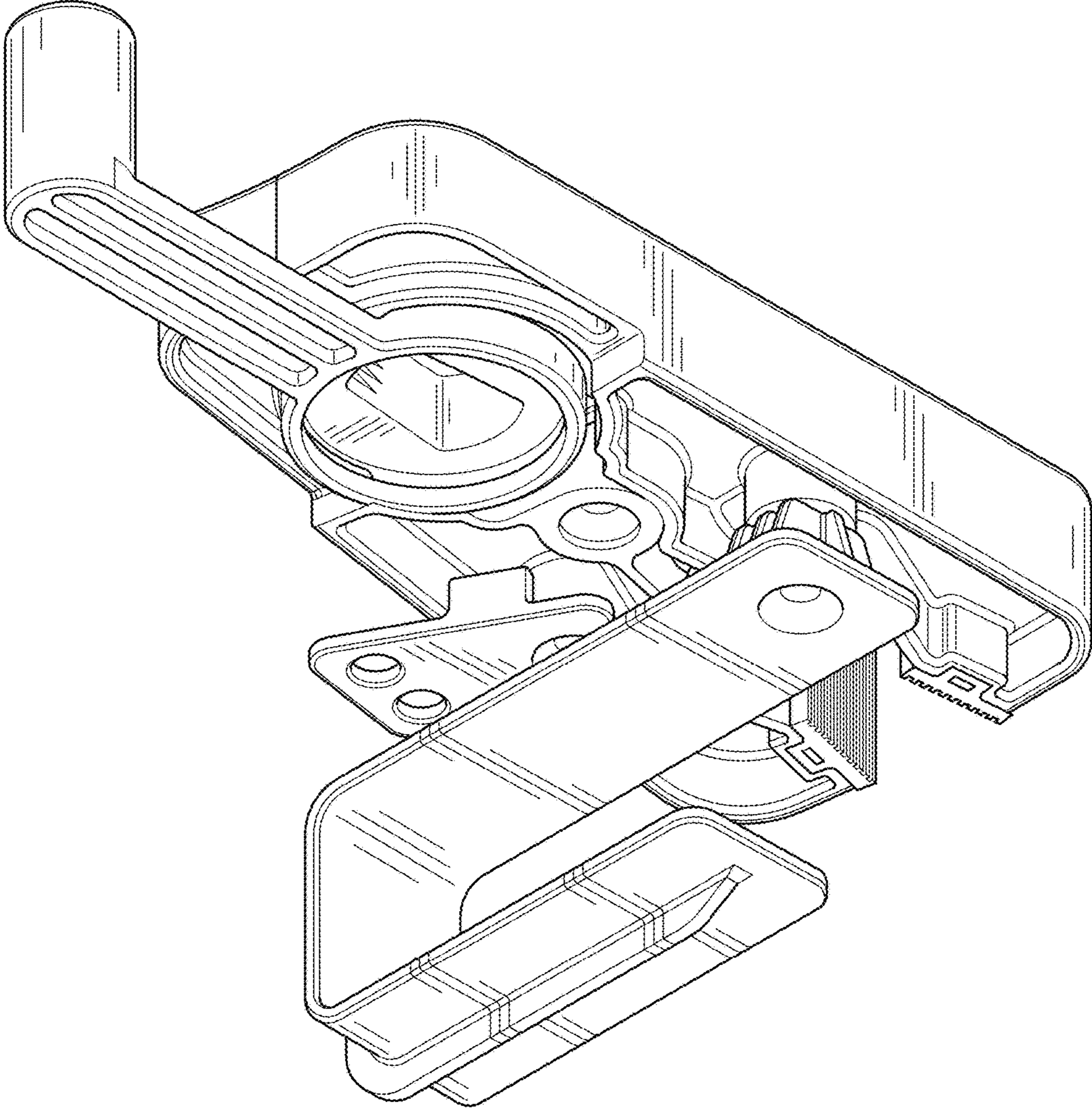


FIG. 3

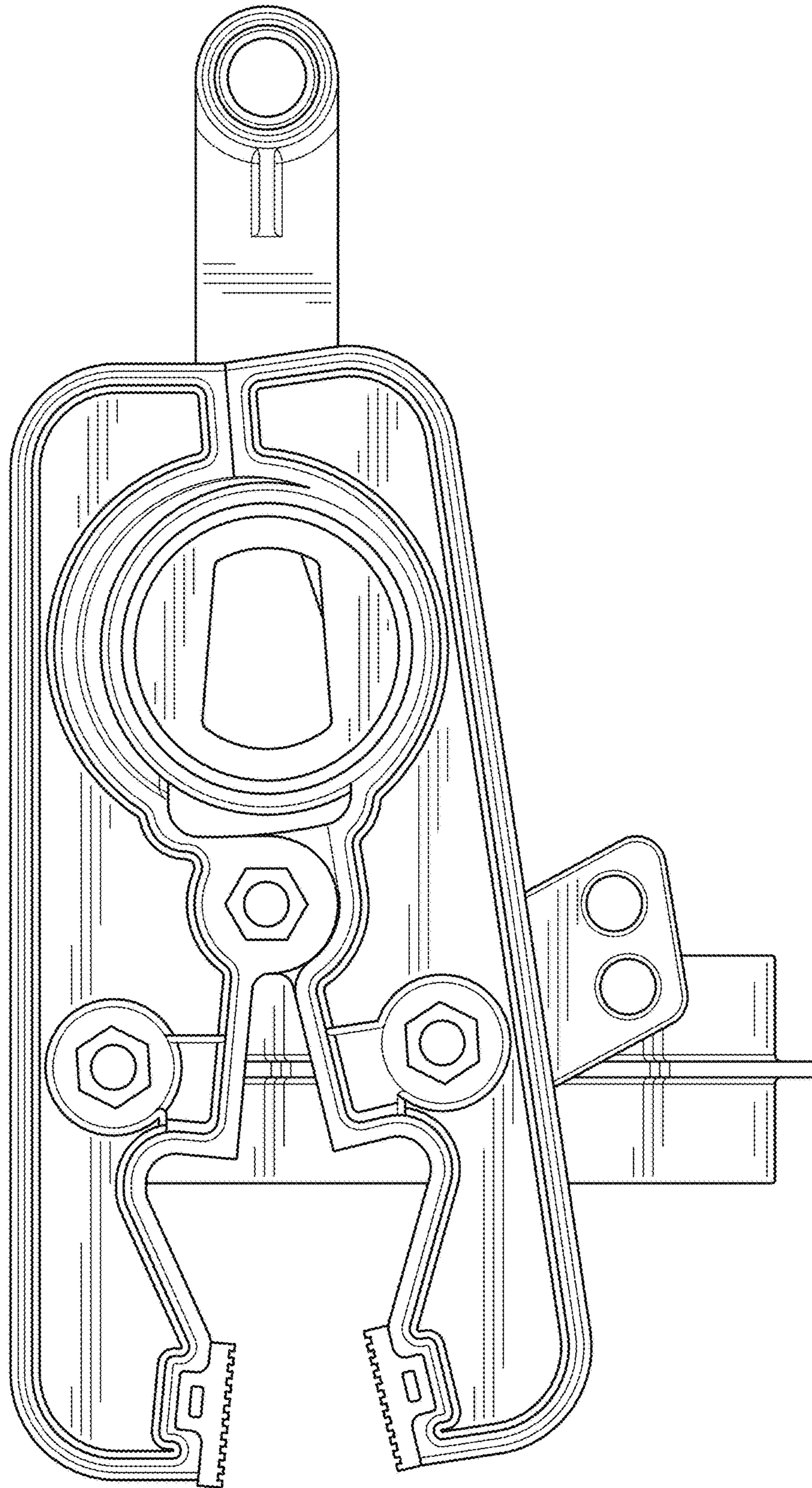


FIG. 4

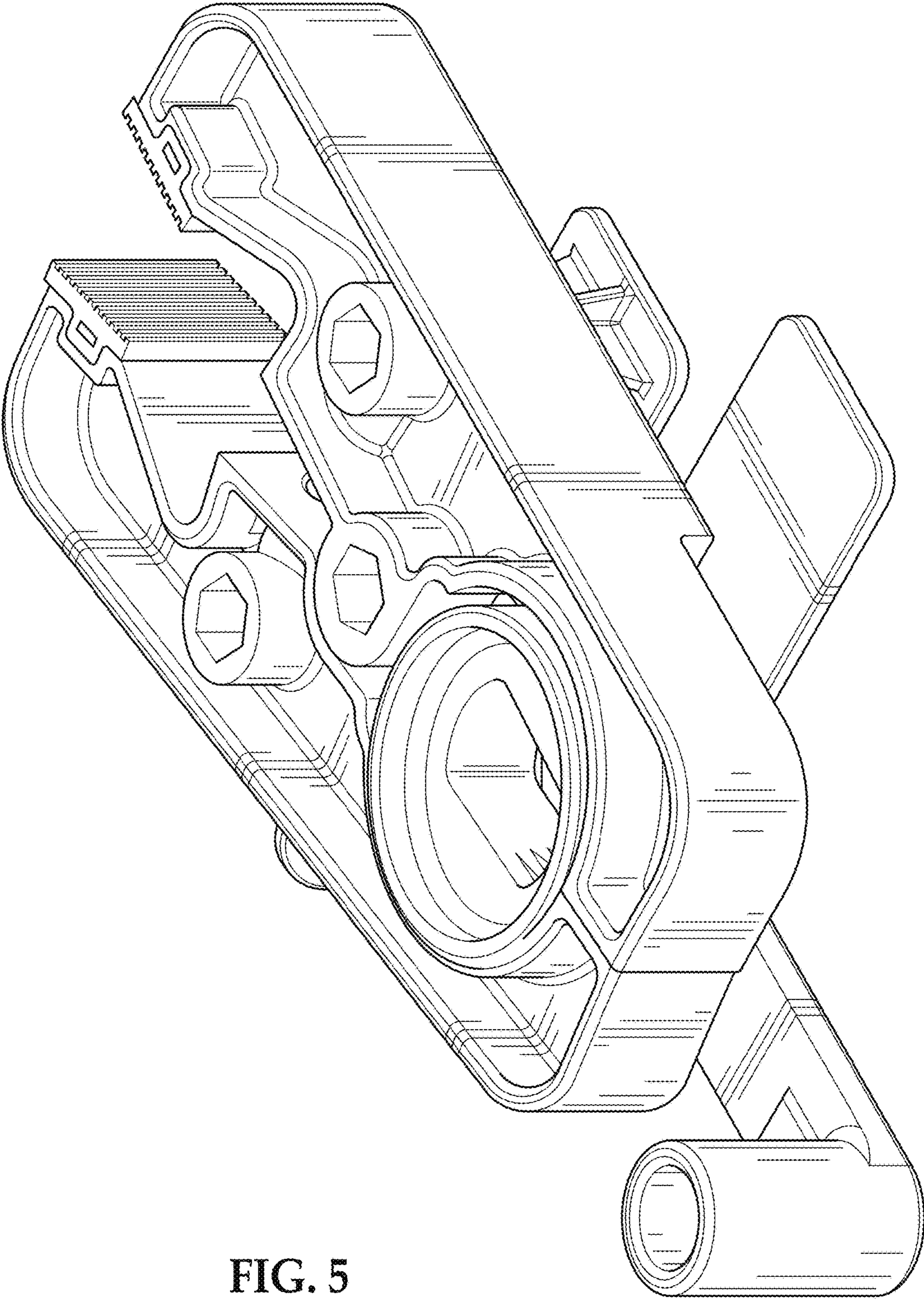


FIG. 5

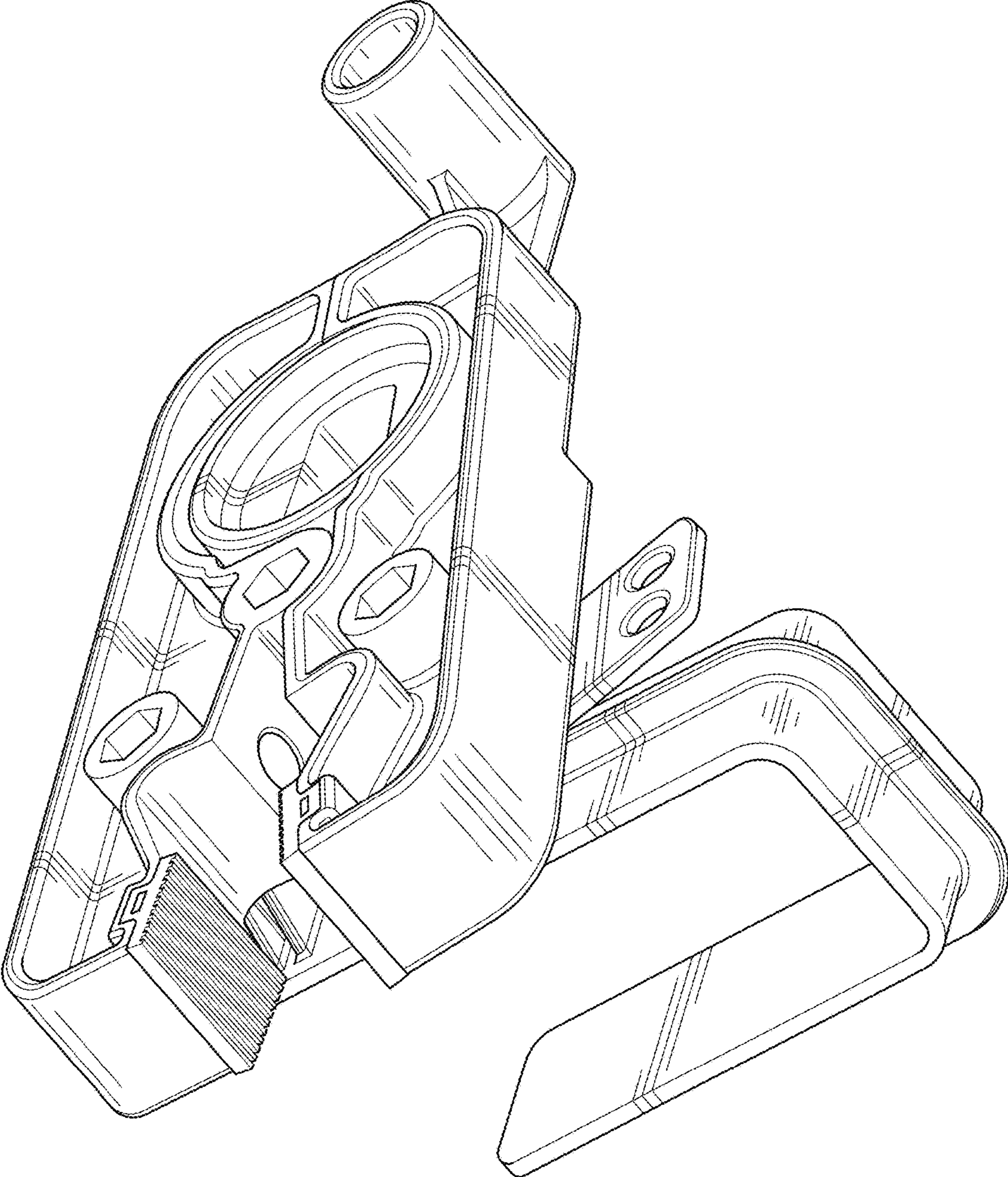


FIG. 6



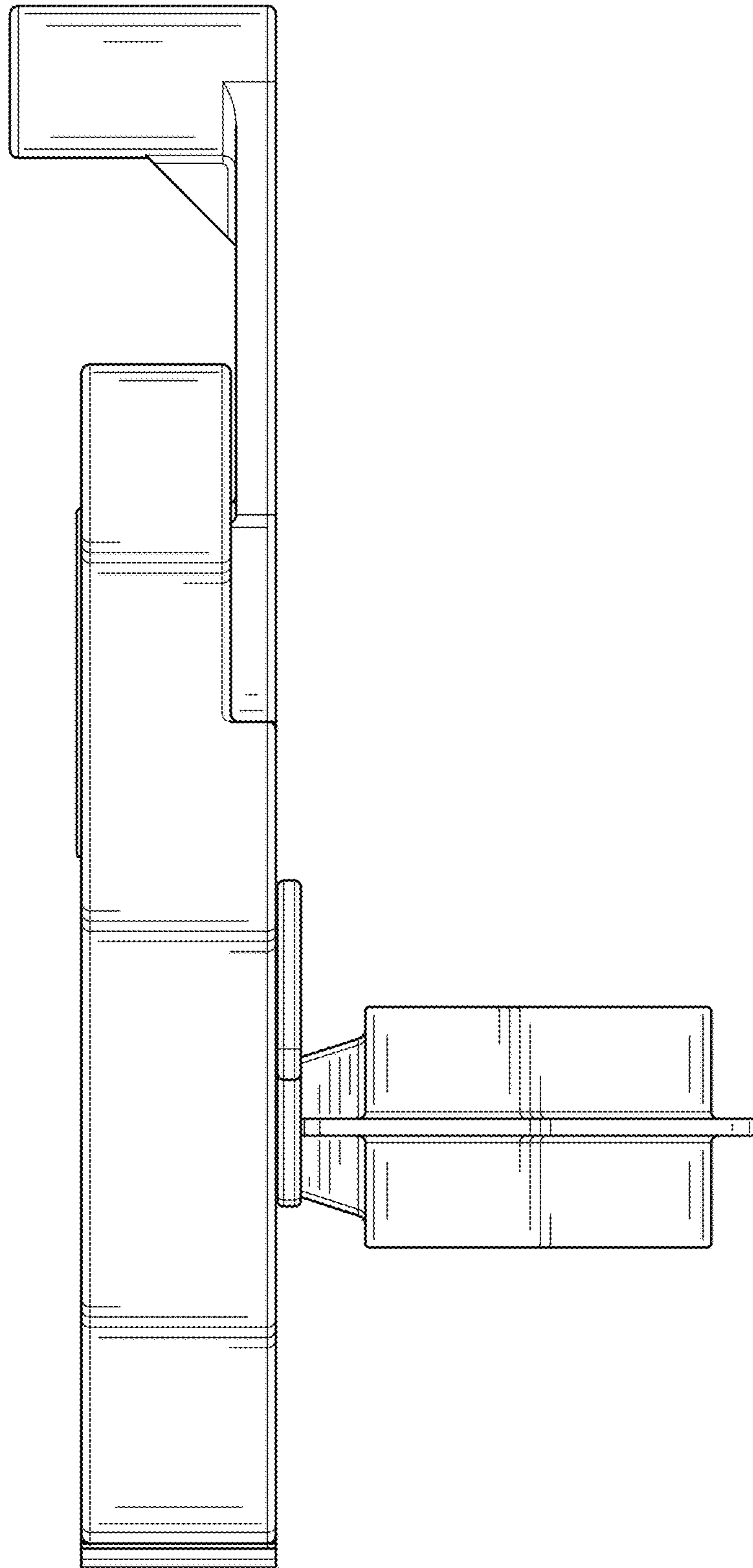


FIG. 7

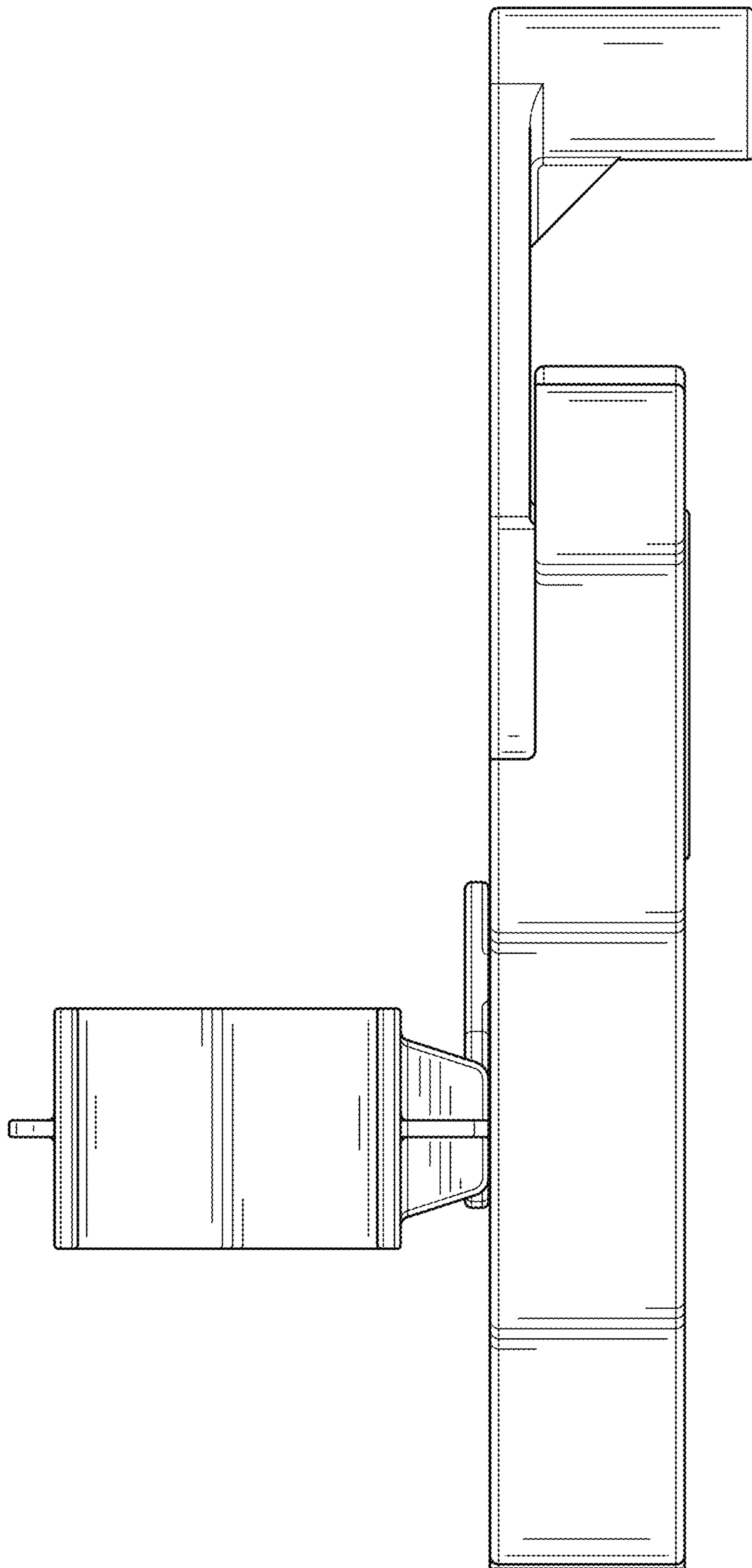


FIG. 8

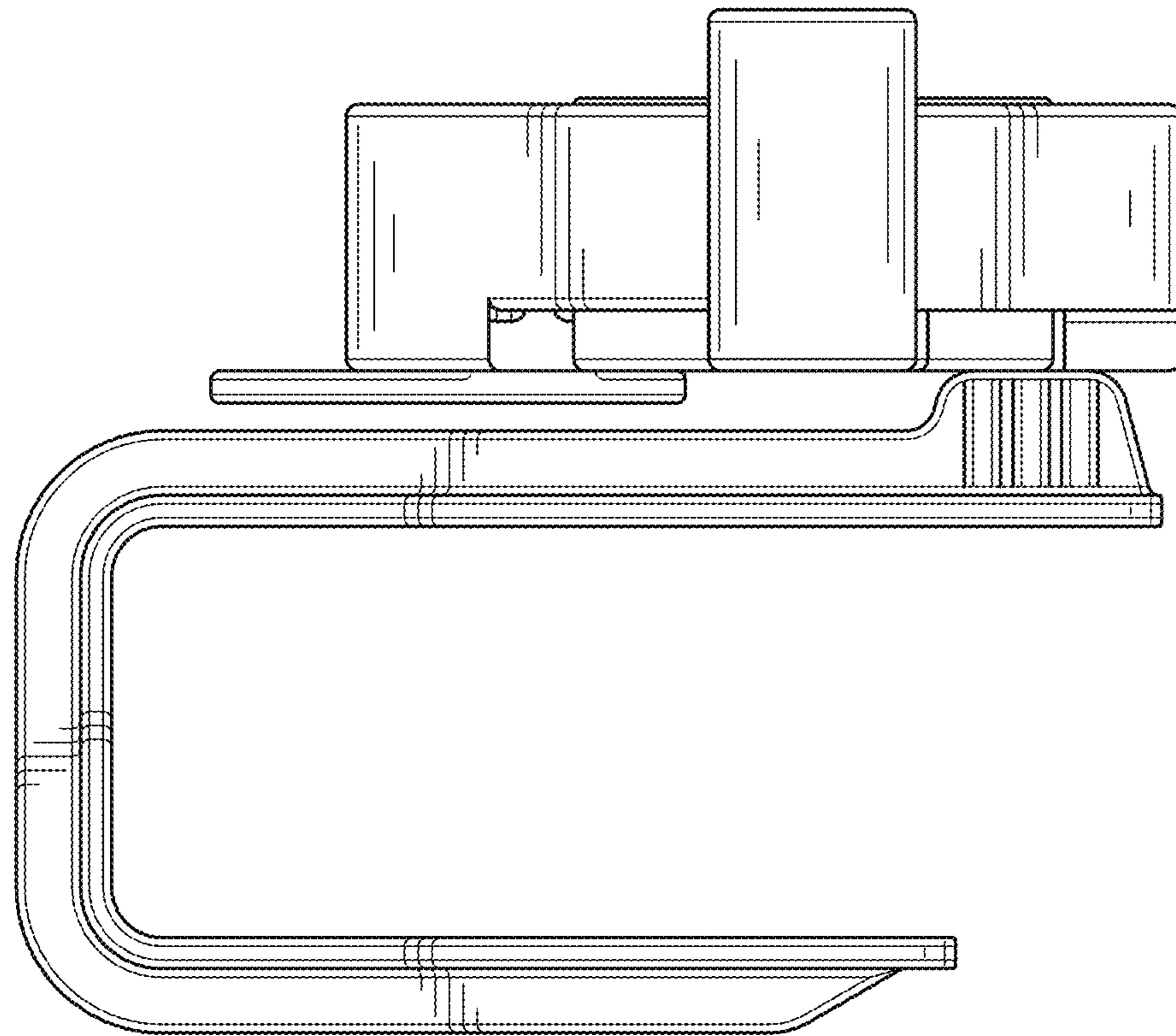


FIG. 9

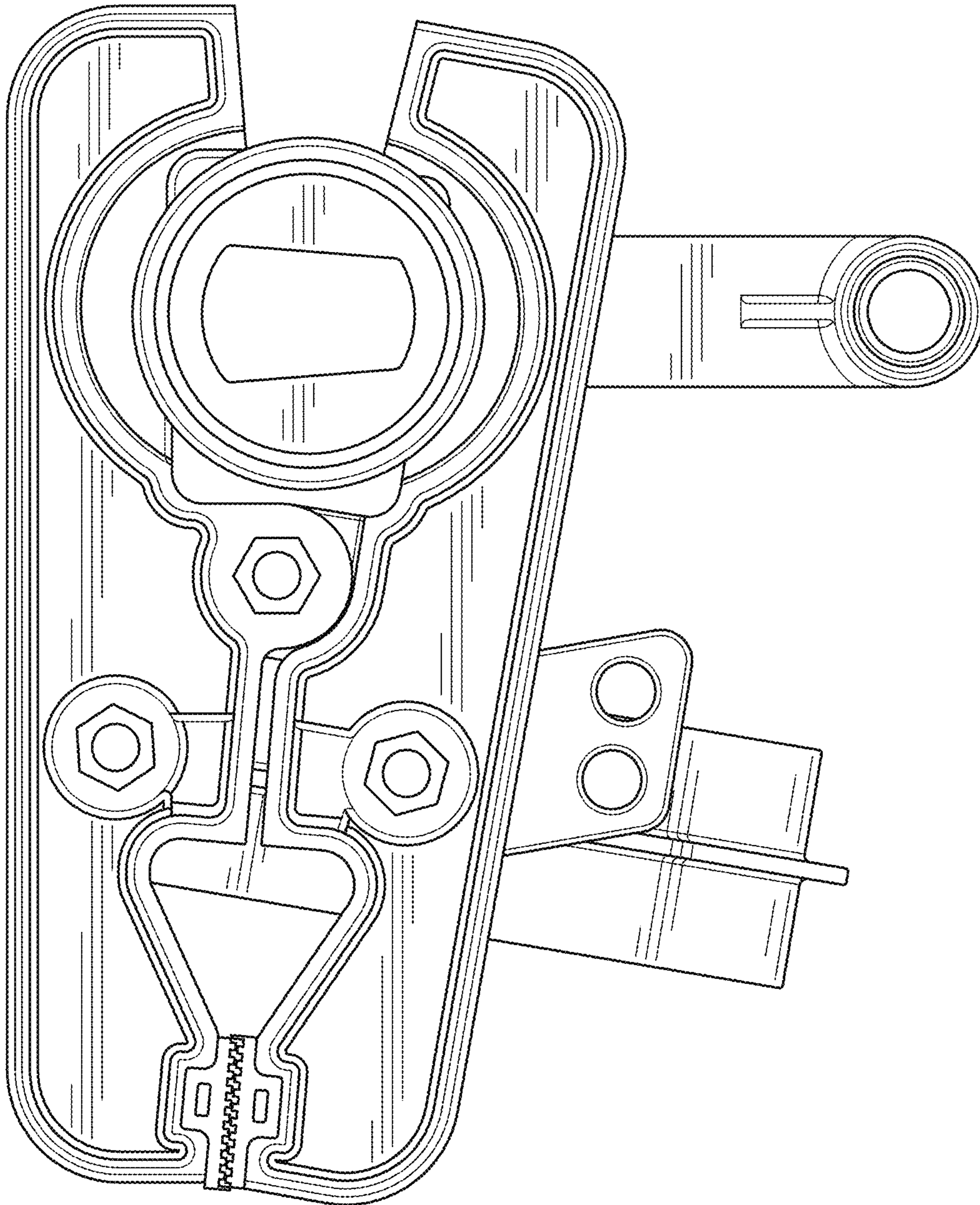


FIG. 10

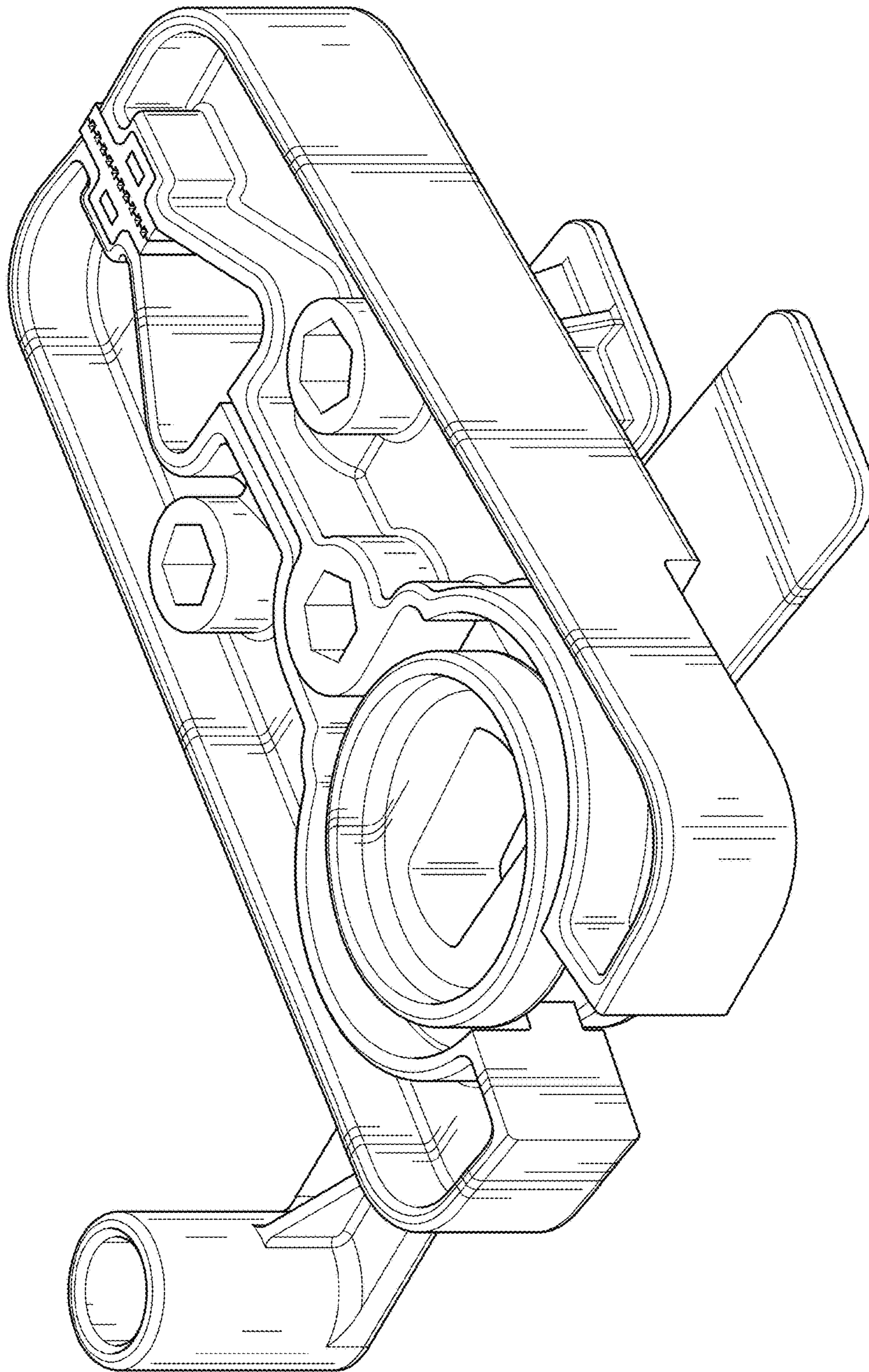


FIG. 11

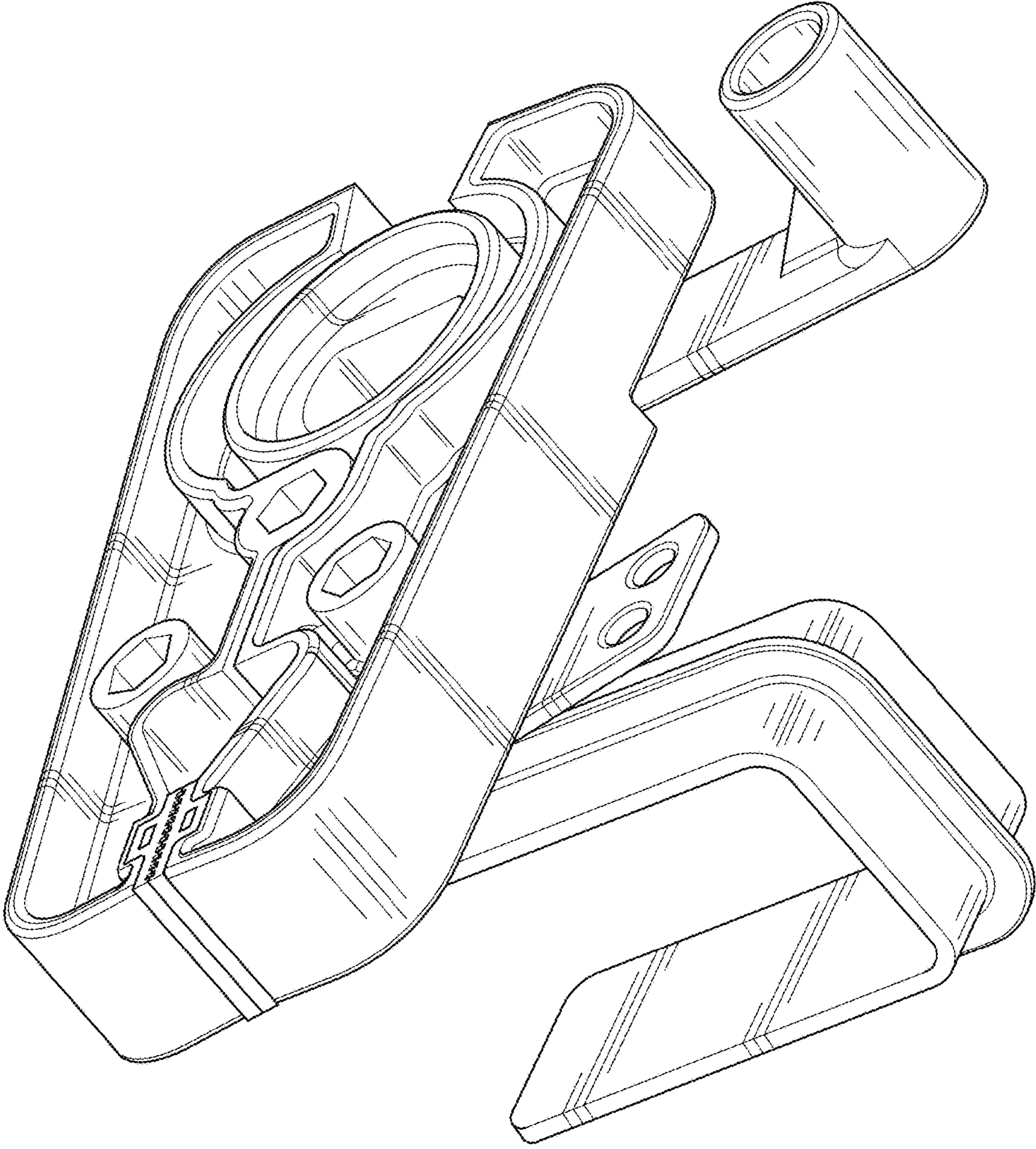


FIG. 12

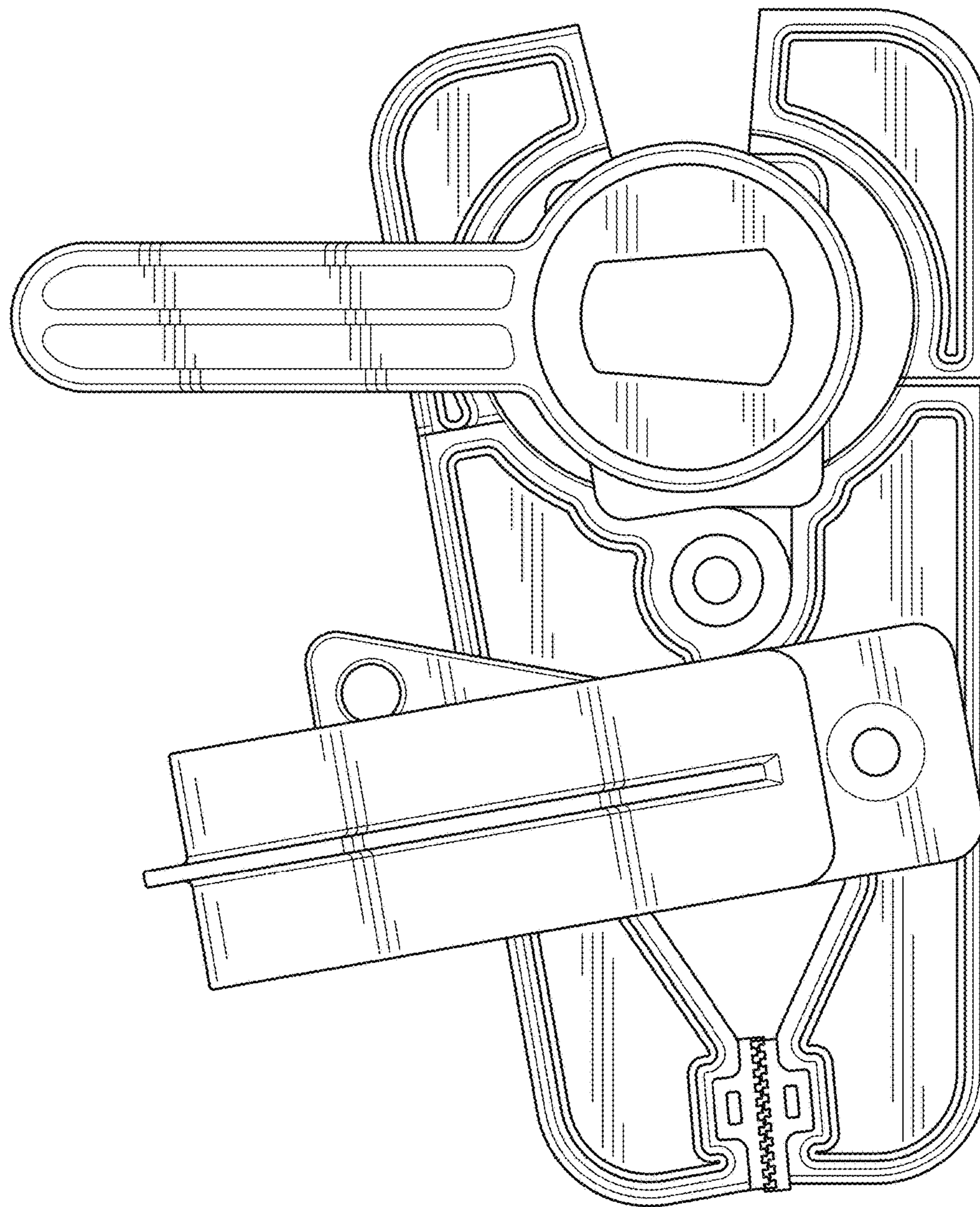


FIG. 13

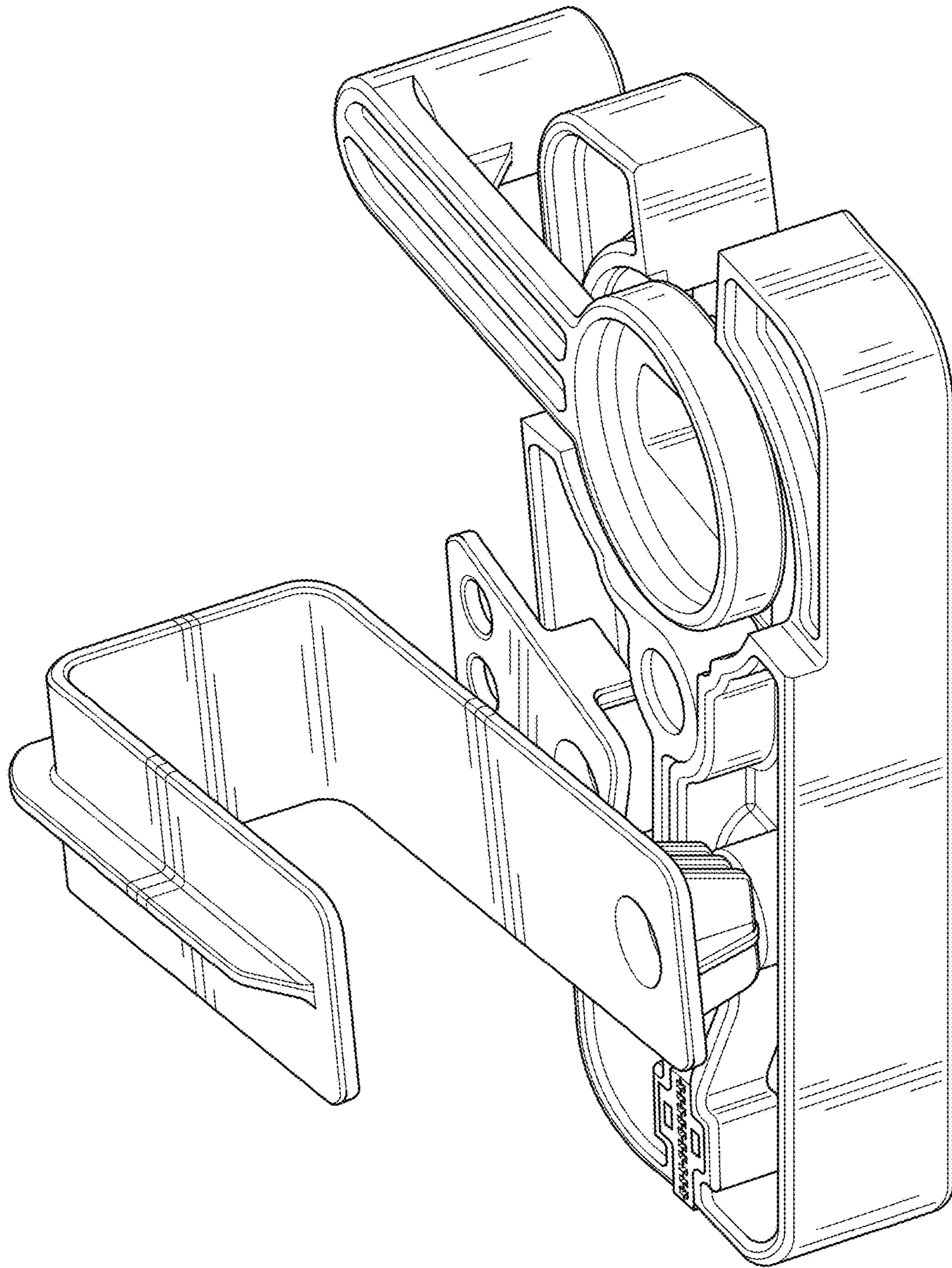


FIG. 14



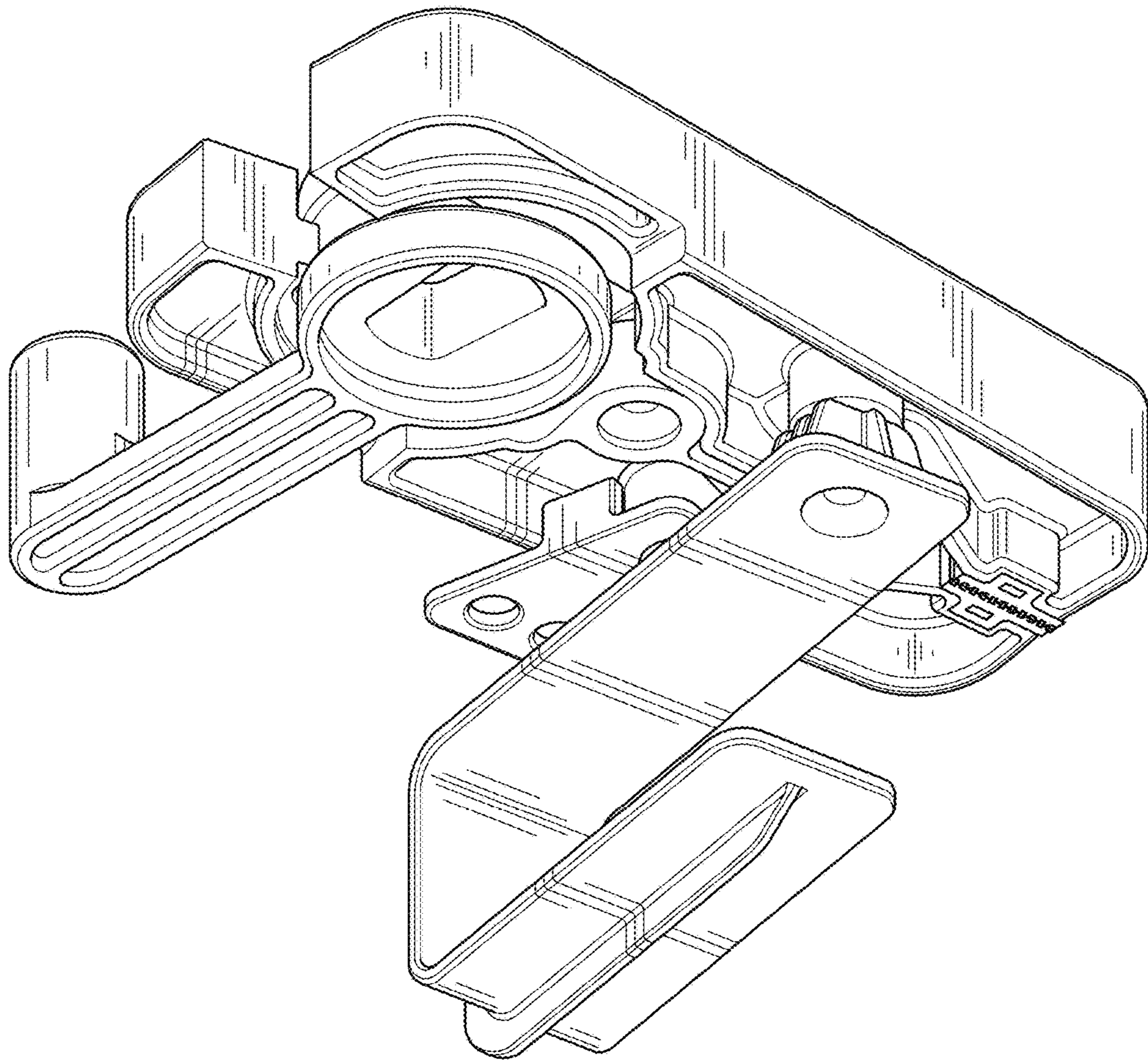


FIG. 15

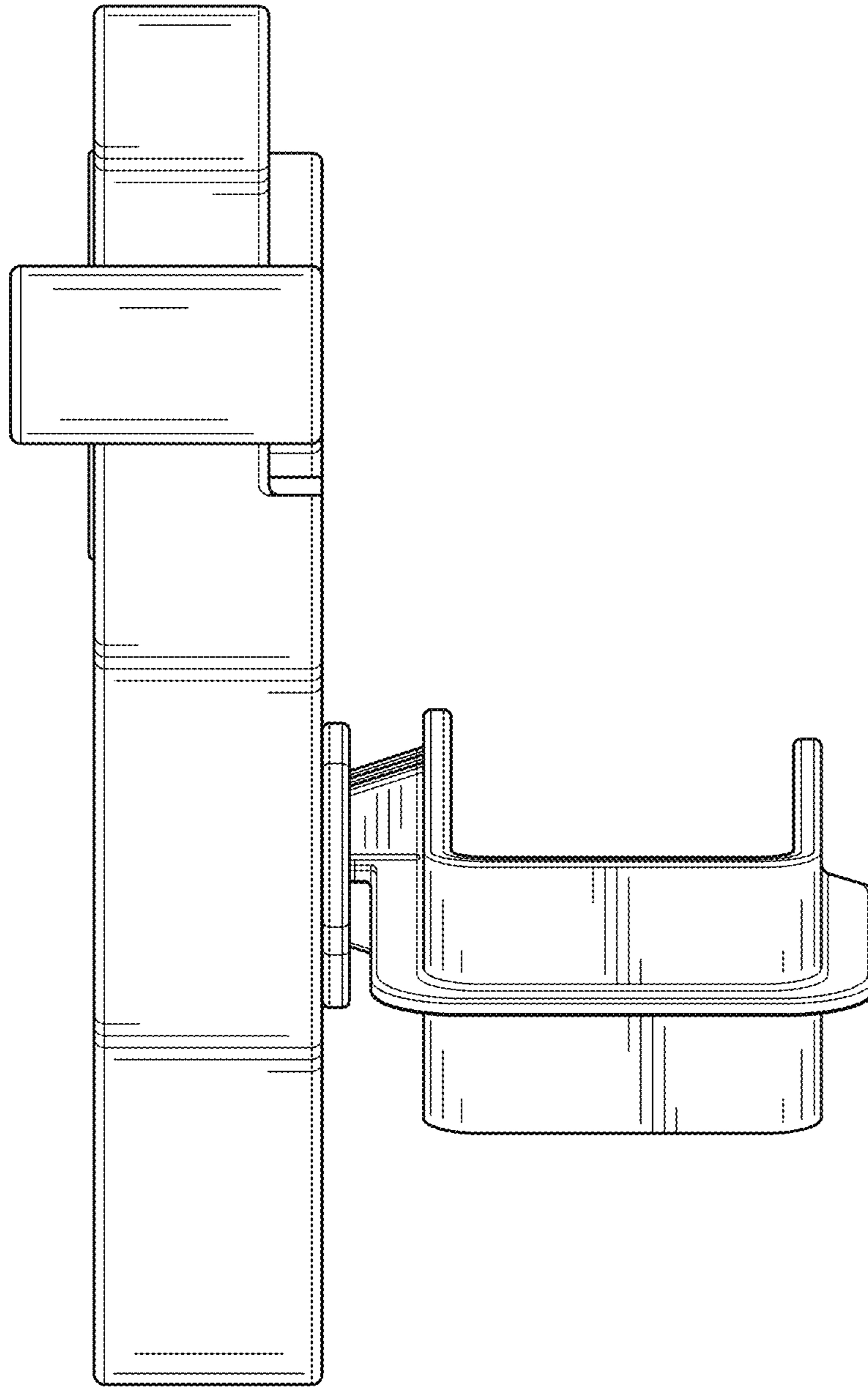


FIG. 16

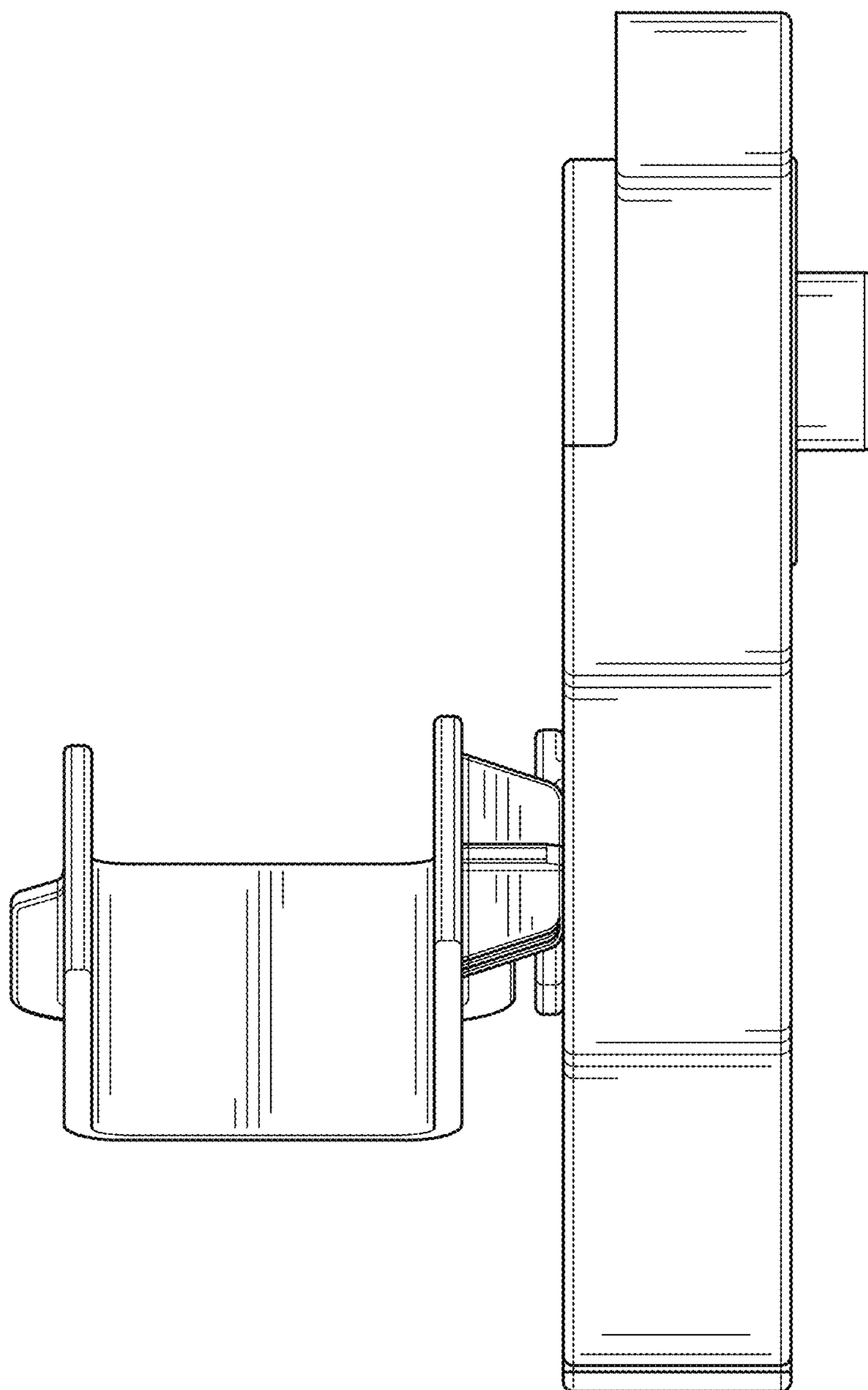


FIG. 17

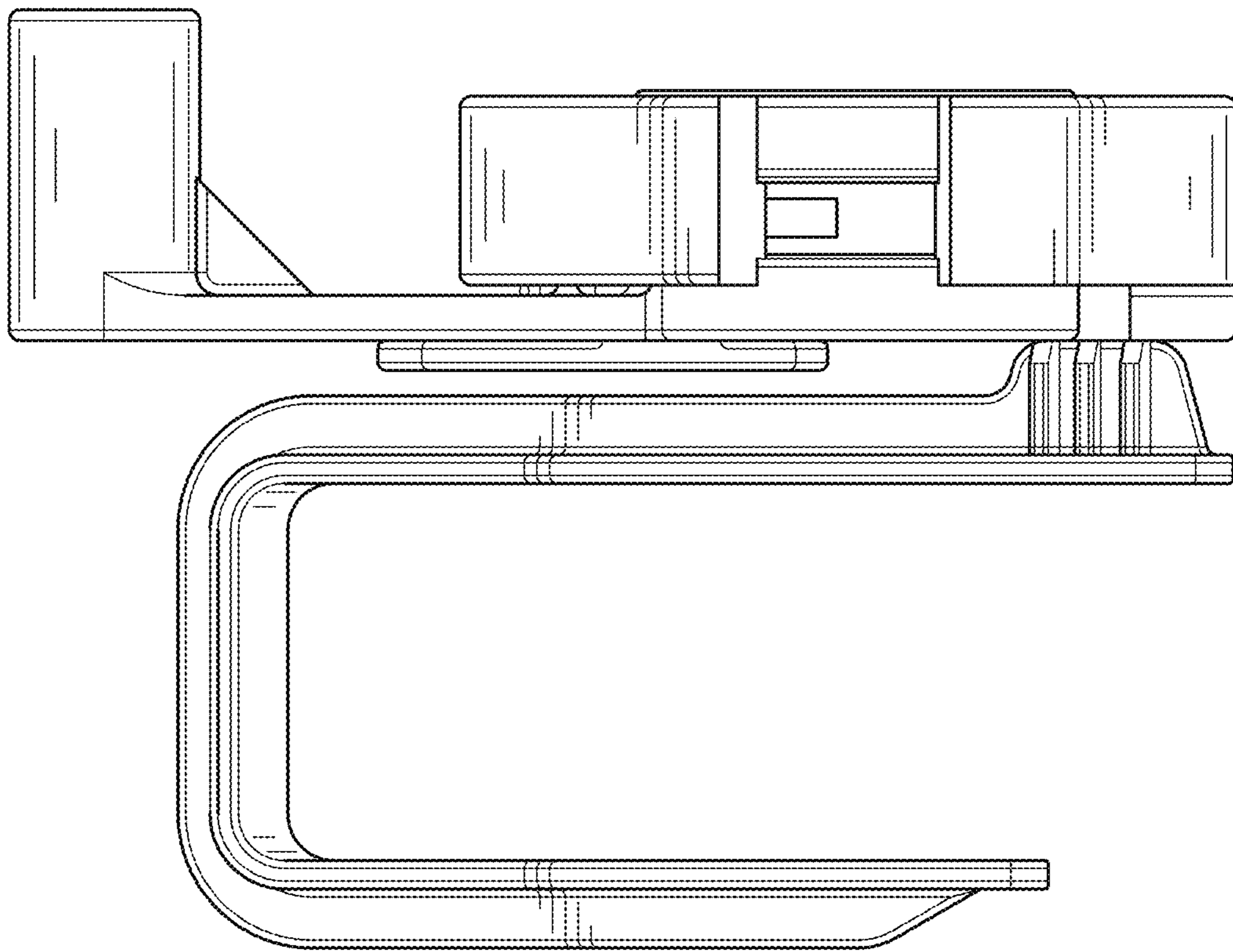


FIG. 18