



US00D790306S

(12) **United States Design Patent**  
**Waldron**

(10) **Patent No.:** **US D790,306 S**  
(45) **Date of Patent:** **\*\* Jun. 27, 2017**

(54) **POWERED CIRCULAR SAW TOOL**

(71) Applicants: **7RDD Limited**, York (GB); **Ningbo Gemay Industry Company Limited**, Ningbo (CN)

(72) Inventor: **Michael Waldron**, York (GB)

(73) Assignees: **7RDD Limited**, York (GB); **Ningbo Gemay Industry Company Limited**, Ningbo (CN)

(\*\*) Term: **15 Years**

(21) Appl. No.: **29/559,336**

(22) Filed: **Mar. 28, 2016**

(51) **LOC (10) Cl.** ..... **08-03**

(52) **U.S. Cl.**  
USPC ..... **D8/66**

(58) **Field of Classification Search**  
USPC .... D8/69, 68, 67, 66, 64, 61, 70; 83/698.41, 83/747, 166.3, 374, 373, 375, 376, 391, 83/377, 390, 388, 389; 125/13.01; 144/218  
CPC .... B27B 9/00; B27B 9/02; B27B 5/02; B27B 5/18; B27B 33/08; B28D 1/04; B28D 1/045; B23D 45/00  
See application file for complete search history.

(56) **References Cited**

**U.S. PATENT DOCUMENTS**

D329,363 S *	9/1992	Sasaki	.....	D8/66
D453,099 S *	1/2002	Welsh	.....	D8/66
D499,001 S *	11/2004	Wu	.....	D8/66
D502,373 S *	3/2005	Wu	.....	D8/66
D503,878 S *	4/2005	Tillman	.....	D8/66
D525,503 S *	7/2006	Waldron	.....	D8/66
D525,504 S *	7/2006	Corcoran	.....	D8/66

D538,124 S *	3/2007	Yamamoto	.....	D8/66
D552,953 S *	10/2007	Jones	.....	D8/66
D555,450 S *	11/2007	Van Wambeke	.....	D8/66
D632,940 S *	2/2011	Yamamoto	.....	D8/66
D638,681 S *	5/2011	Yamada	.....	D8/66
D653,513 S *	2/2012	Tirone	.....	D8/66
D654,340 S *	2/2012	Kawase	.....	D8/66
D685,243 S *	7/2013	Waldron	.....	D8/66
D699,088 S *	2/2014	Abe	.....	D8/66
D710,172 S *	8/2014	Tschopp	.....	D8/66
D756,738 S *	5/2016	Itoh	.....	D8/66
2003/0024368 A1 *	2/2003	Fukuoka	.....	B23D 59/00 83/698.41

\* cited by examiner

*Primary Examiner* — Austin Murphy

(74) *Attorney, Agent, or Firm* — McKee, Voorhees & Sease, PLC

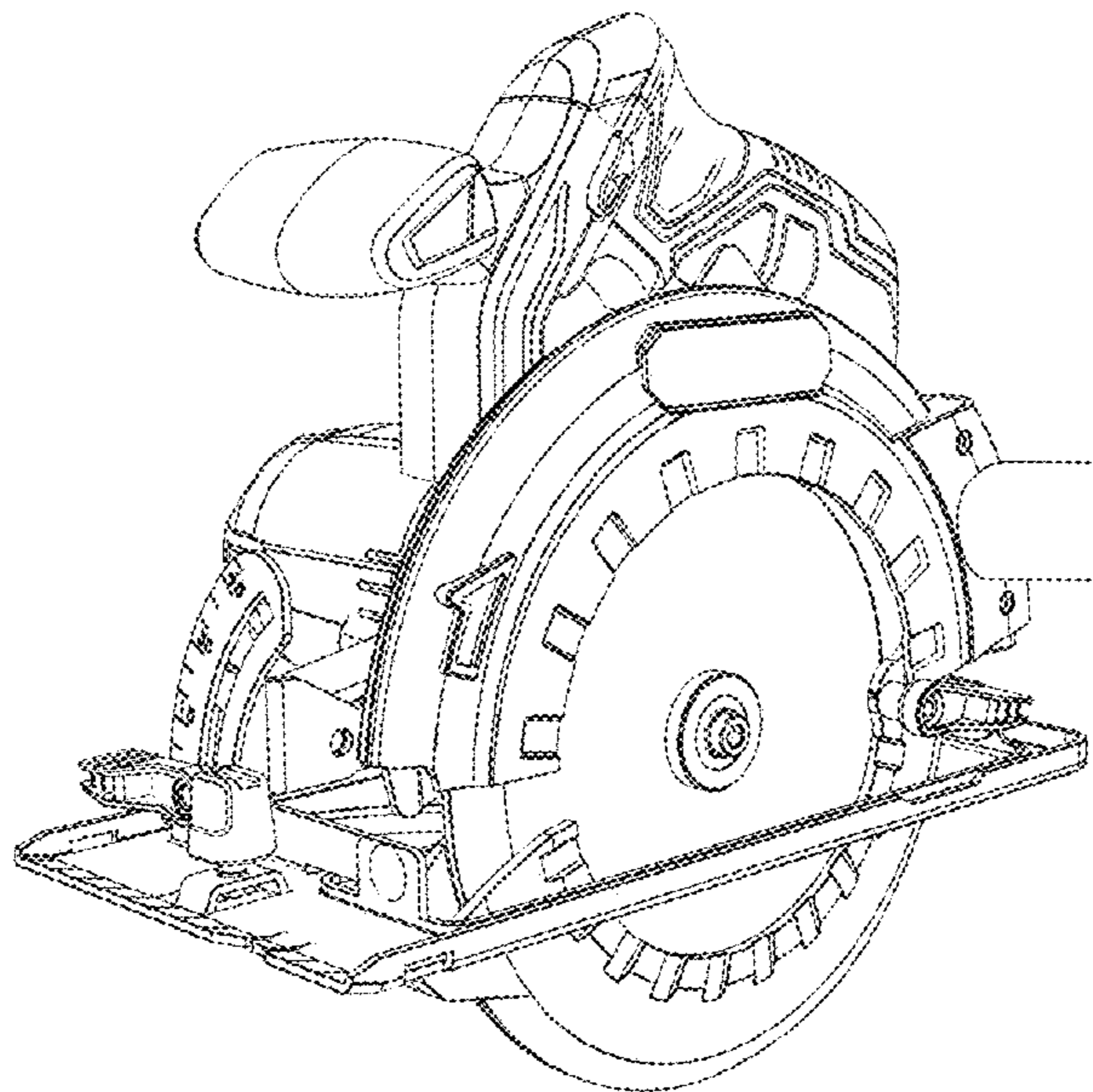
(57) **CLAIM**

The ornamental design for a powered circular saw tool, as shown and described.

**DESCRIPTION**

FIG. 1 is a perspective view of a powered circular saw tool according to the present invention;  
FIG. 2 is a front view of the powered circular saw tool shown in FIG. 1;  
FIG. 3 is a left side view of the powered circular saw tool shown in FIG. 1;  
FIG. 4 is a rear view of the powered circular saw tool shown in FIG. 1;  
FIG. 5 is a right side view of the powered circular saw tool shown in FIG. 1;  
FIG. 6 is a top view of the powered circular saw tool shown in FIG. 1; and,  
FIG. 7 is a bottom view of the powered circular saw tool shown in FIG. 1.

**1 Claim, 7 Drawing Sheets**



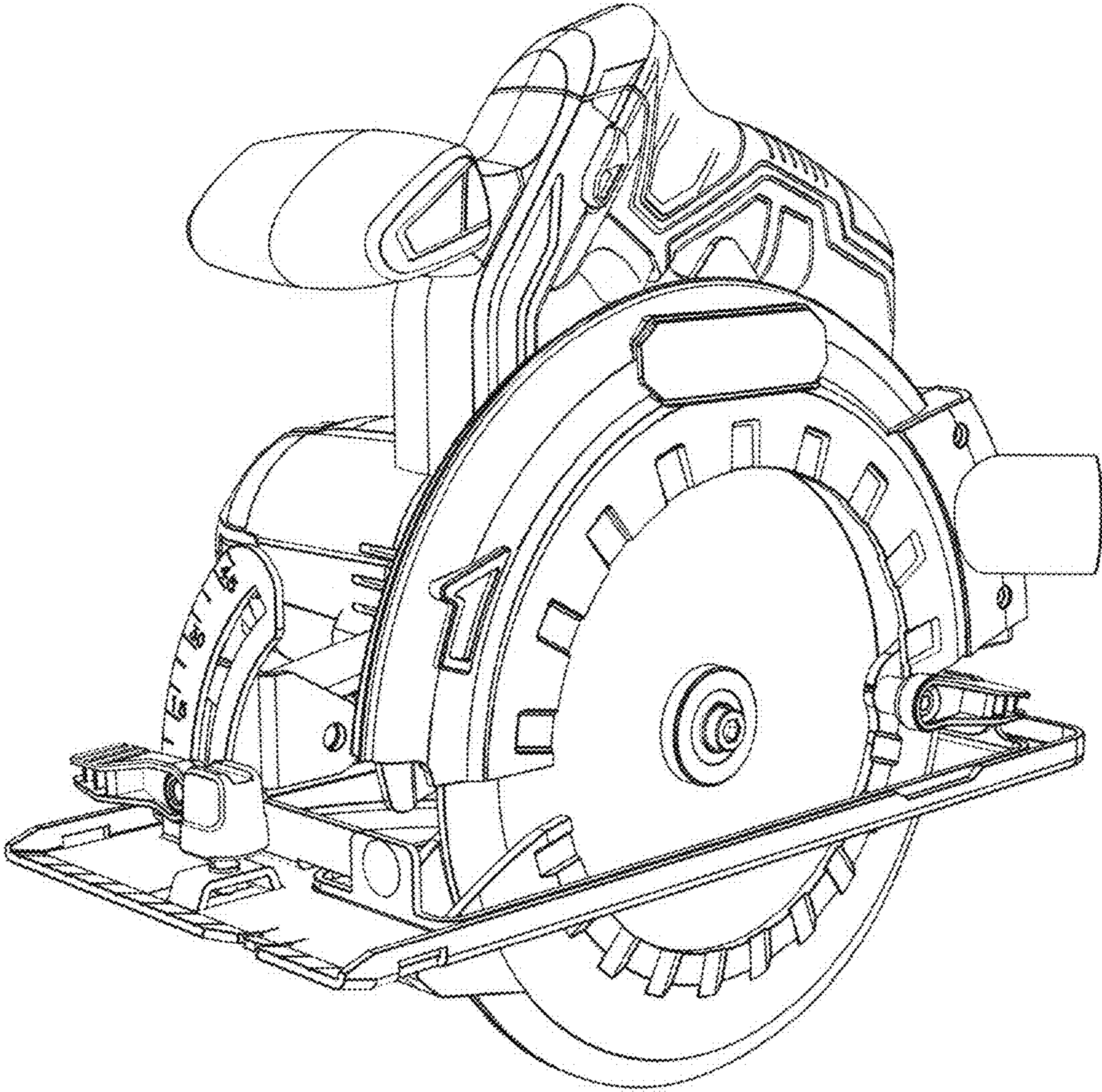


FIG. 1



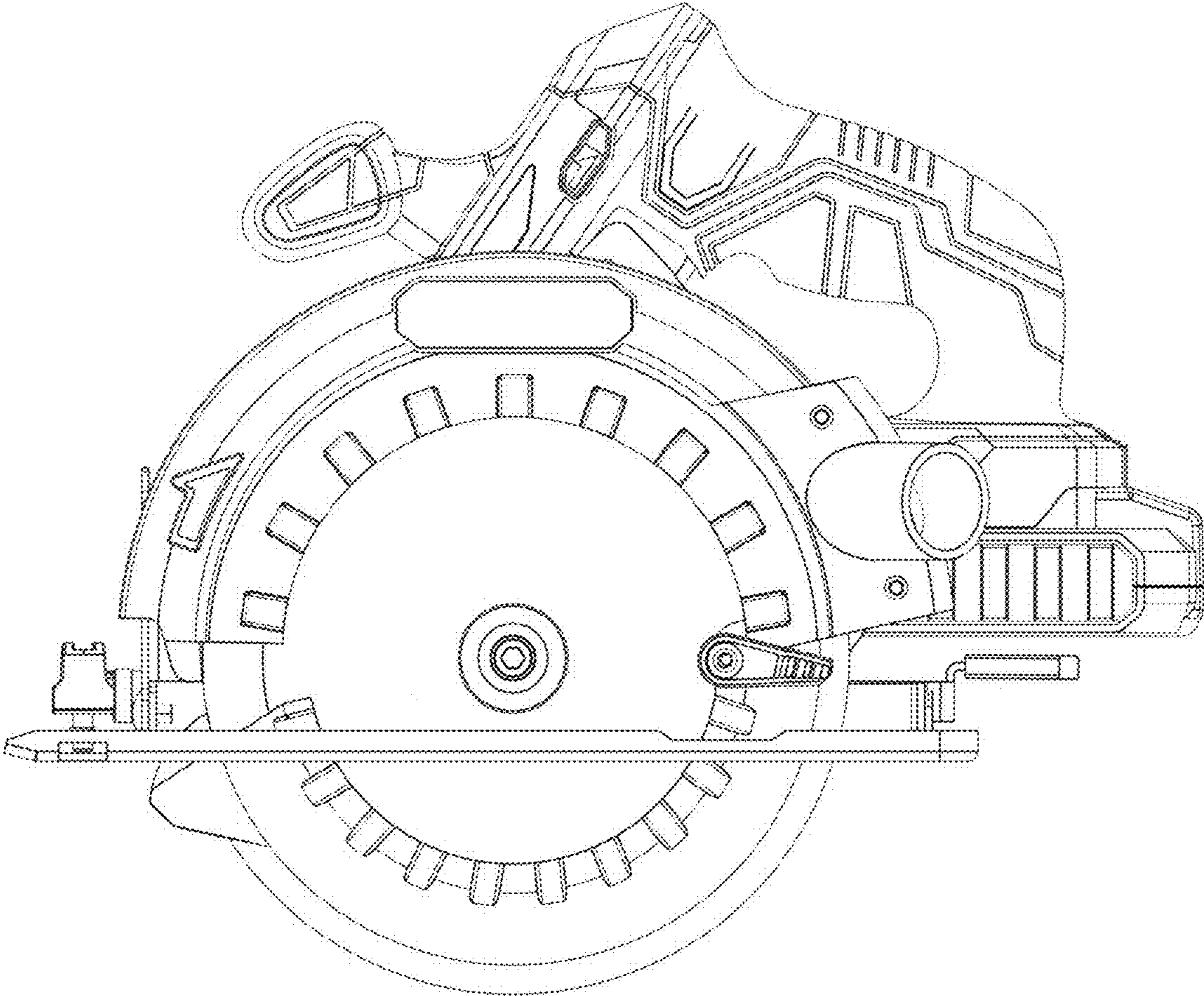


FIG. 2

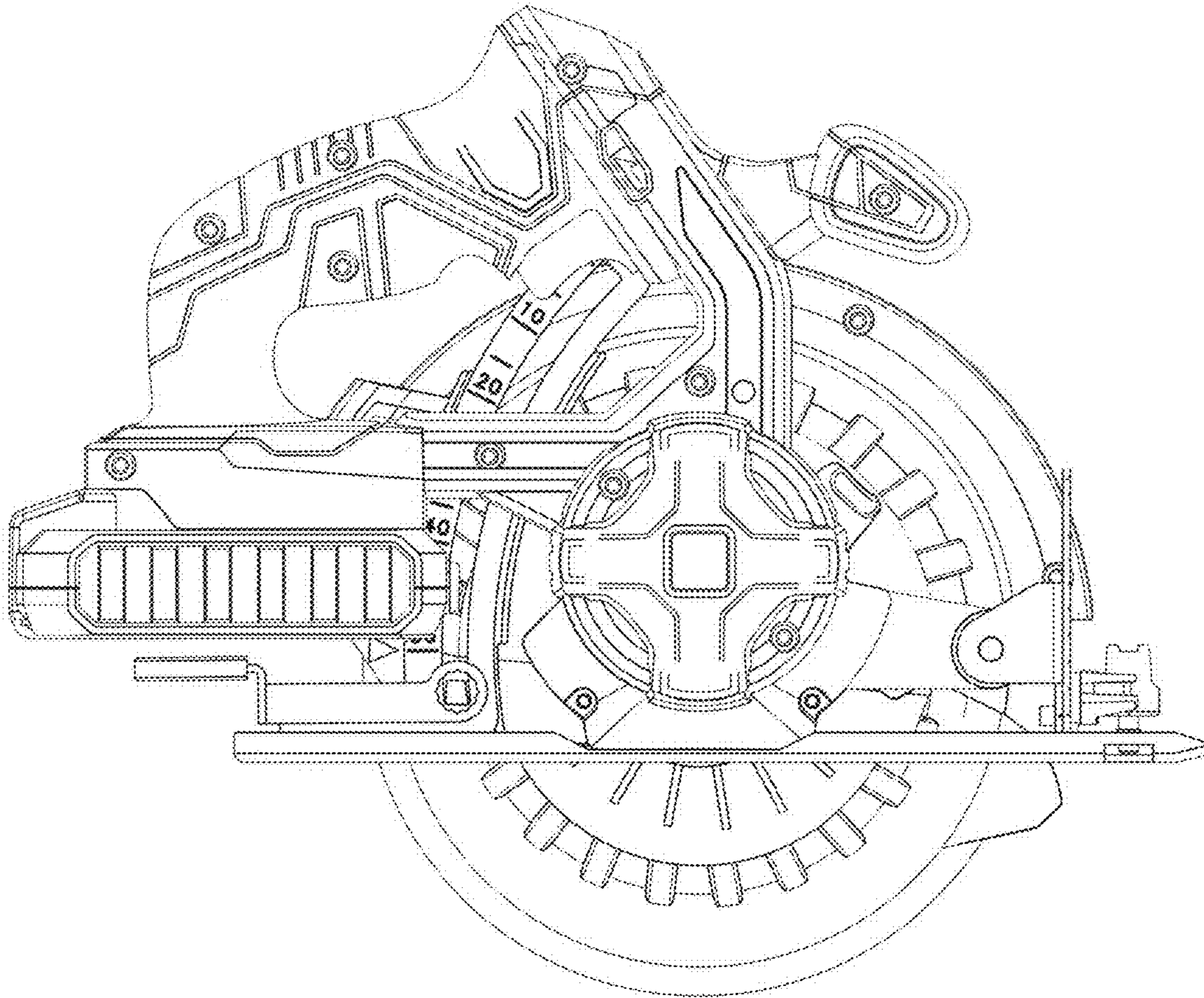


FIG. 3

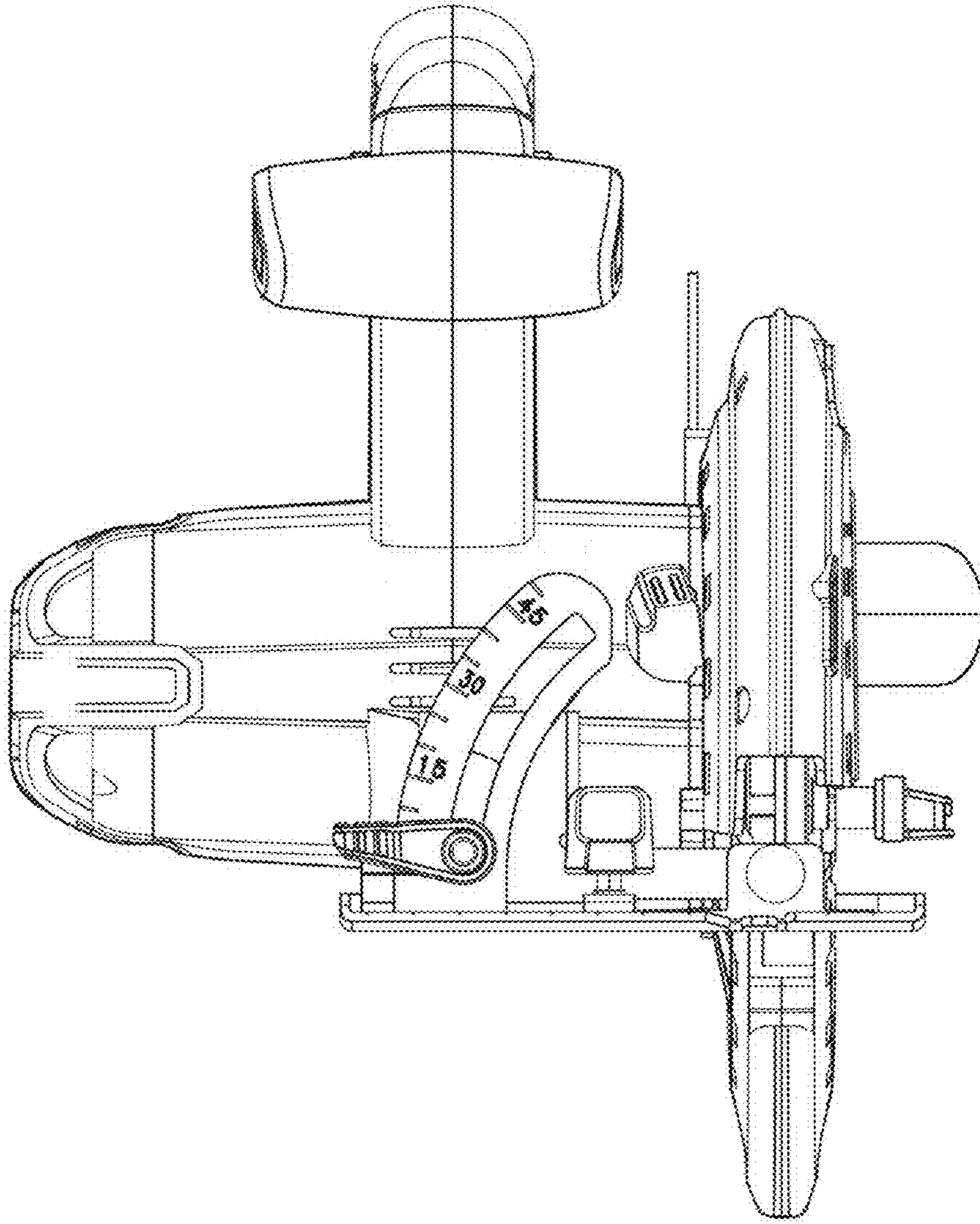


FIG. 4



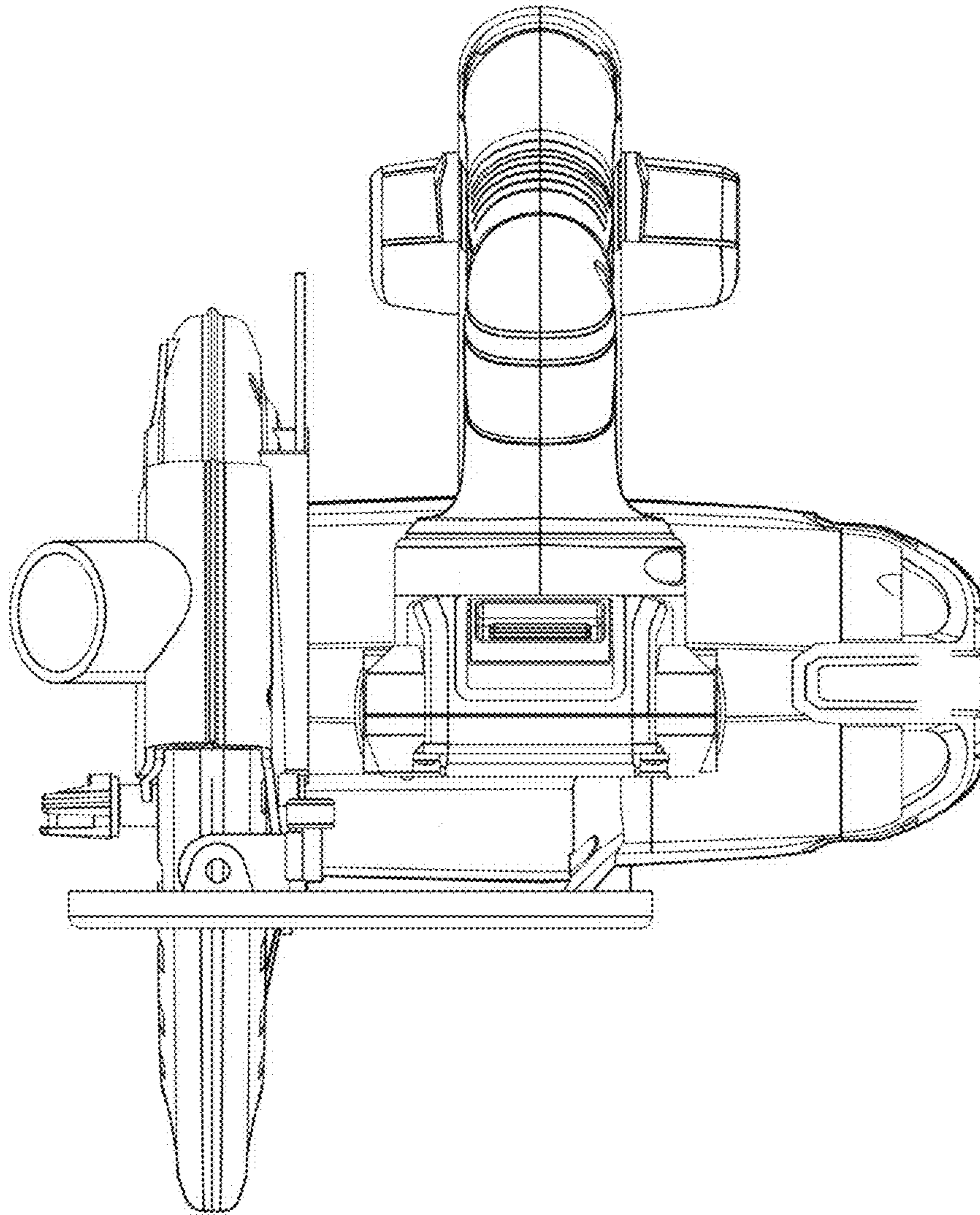


FIG. 5

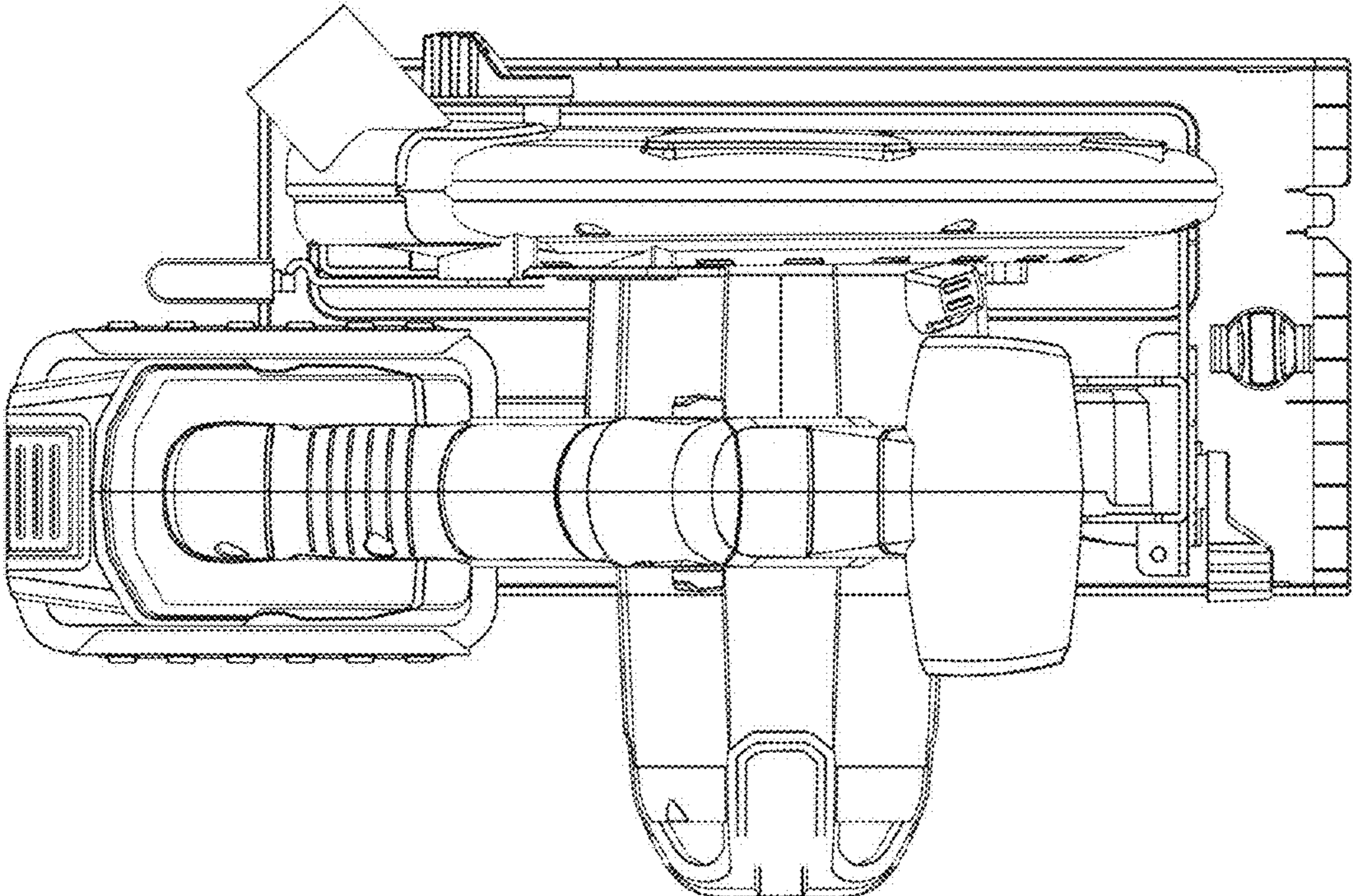


FIG. 6

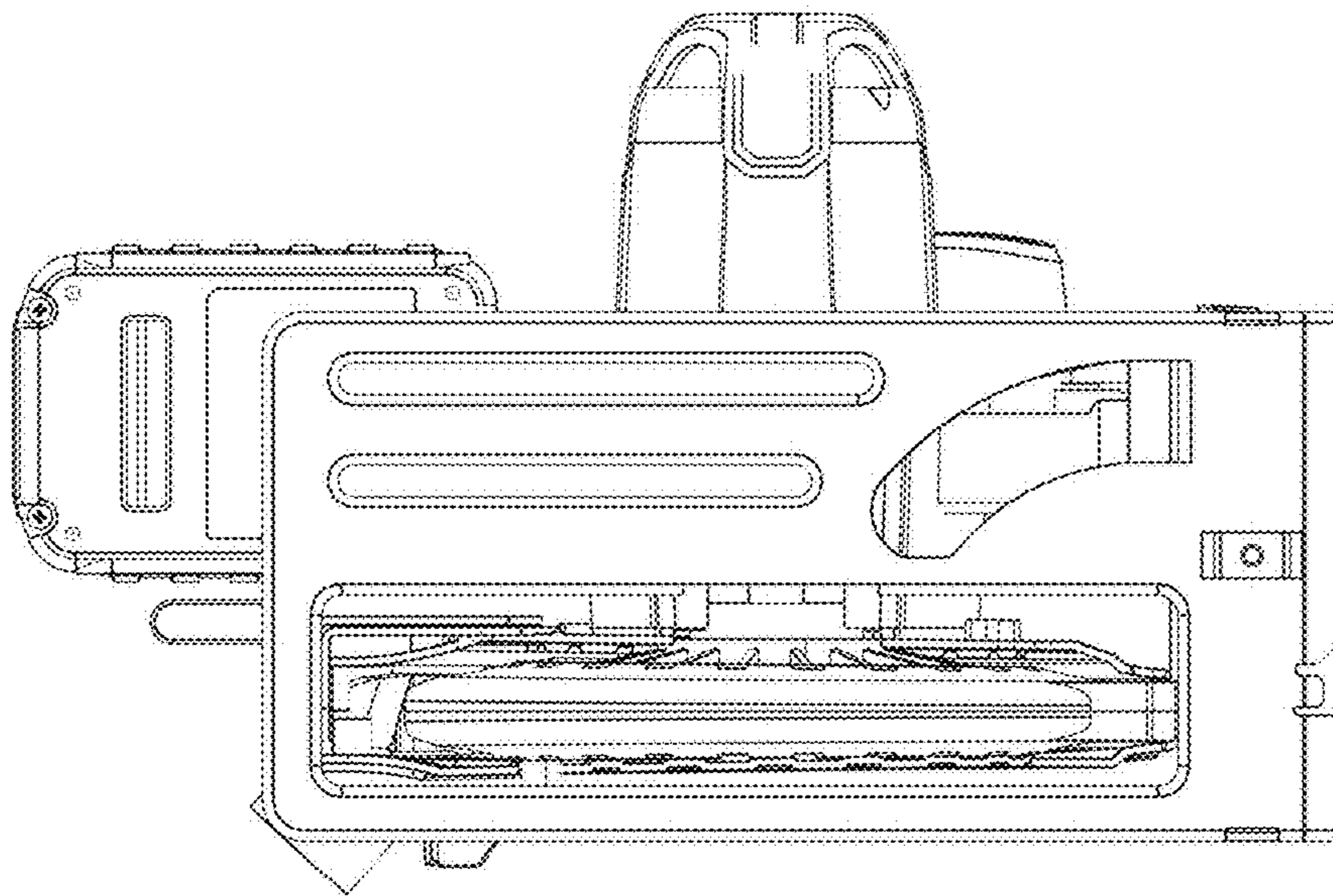


FIG. 7