



US00D790304S

(12) **United States Design Patent**
Waldron

(10) **Patent No.:** **US D790,304 S**

(45) **Date of Patent:** **** Jun. 27, 2017**

(54) **POWERED CIRCULAR SAW TOOL**

(71) Applicants: **7RDD Limited**, York (GB); **Ningbo Gemay Industry Company Limited**, Ningbo (CN)

(72) Inventor: **Michael Waldron**, York (GB)

(73) Assignees: **7RDD Limited**, York (GB); **Ningbo Gemay Industry Company Limited**, Ningbo (CN)

(**) Term: **15 Years**

(21) Appl. No.: **29/559,331**

(22) Filed: **Mar. 28, 2016**

(51) **LOC (10) Cl.** **08-03**

(52) **U.S. Cl.**
USPC **D8/66**

(58) **Field of Classification Search**
USPC D8/69, 68, 67, 66, 64, 61, 70; 83/698.41, 83/747, 166.3, 374, 373, 375, 376, 391, 83/377, 390, 388, 389; 125/13.01; 144/218
CPC B27B 9/00; B27B 9/02; B27B 5/02; B27B 5/18; B27B 33/08; B28D 1/04; B28D 1/045; B23D 45/00
See application file for complete search history.

(56) **References Cited**

U.S. PATENT DOCUMENTS

D538,124 S * 3/2007 Yamamoto D8/66
D568,705 S * 5/2008 Lopano D8/66

D578,853 S * 10/2008 Gallagher D8/66
D632,940 S * 2/2011 Yamamoto D8/66
D653,513 S * 2/2012 Tirone D8/66
D654,340 S * 2/2012 Kawase D8/66
D685,243 S * 7/2013 Waldron D8/66
D699,088 S * 2/2014 Abe D8/66
D705,629 S * 5/2014 Schoch D8/66
D710,172 S * 8/2014 Tschopp D8/66
D756,738 S * 5/2016 Itoh D8/66

* cited by examiner

Primary Examiner — Austin Murphy

(74) *Attorney, Agent, or Firm* — McKee, Voorhees & Sease, PLC

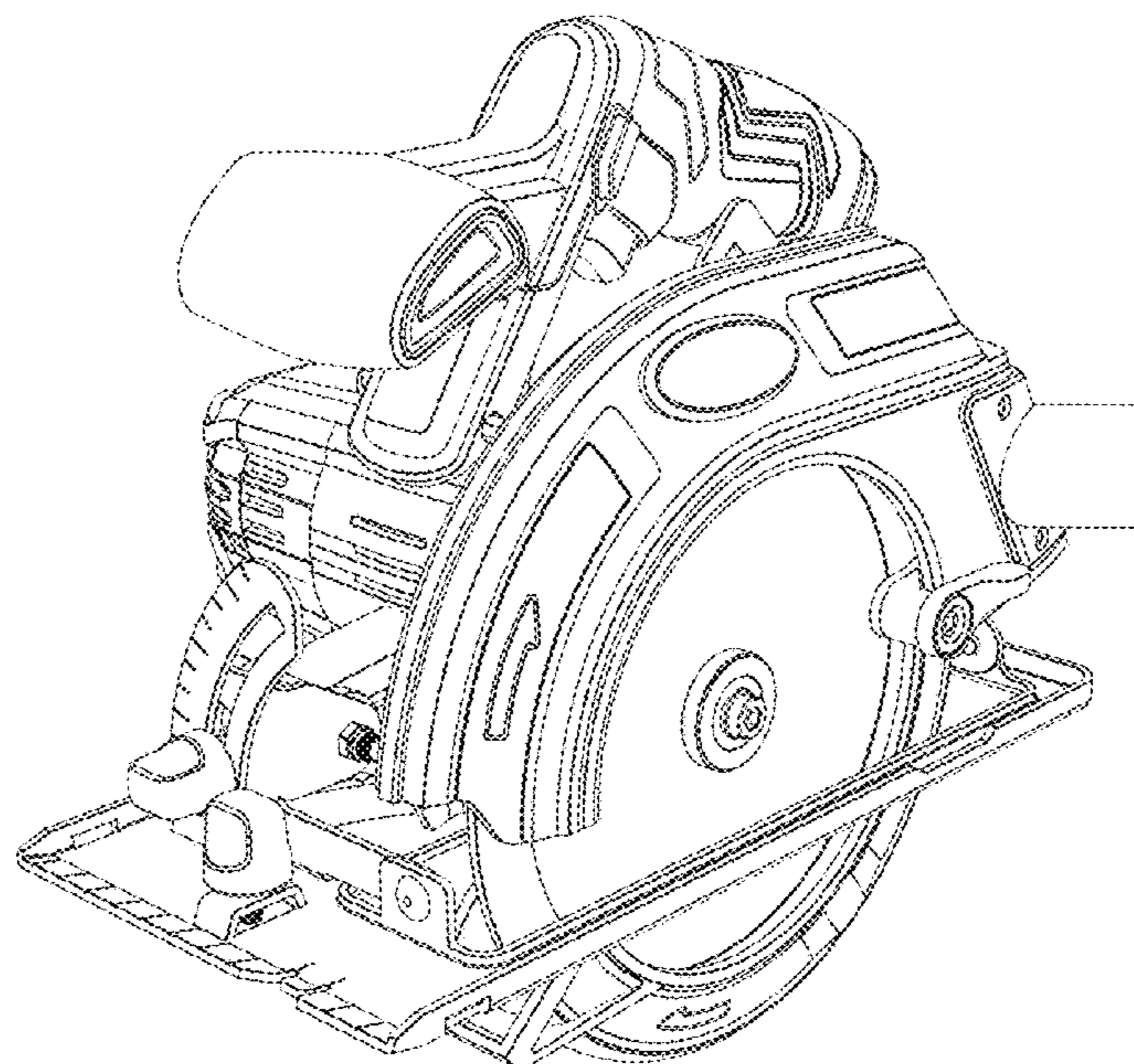
(57) **CLAIM**

The ornamental design for a powered circular saw tool, as shown and described.

DESCRIPTION

FIG. 1 is a perspective view of a powered circular saw tool according to the present invention;
FIG. 2 is a front view of the powered circular saw tool shown in FIG. 1;
FIG. 3 is a left side view of the powered circular saw tool shown in FIG. 1;
FIG. 4 is a rear view of the powered circular saw tool shown in FIG. 1;
FIG. 5 is a right side view of the powered circular saw tool shown in FIG. 1;
FIG. 6 is a top view of the powered circular saw tool shown in FIG. 1; and,
FIG. 7 is a bottom view of the powered circular saw tool shown in FIG. 1.

1 Claim, 7 Drawing Sheets



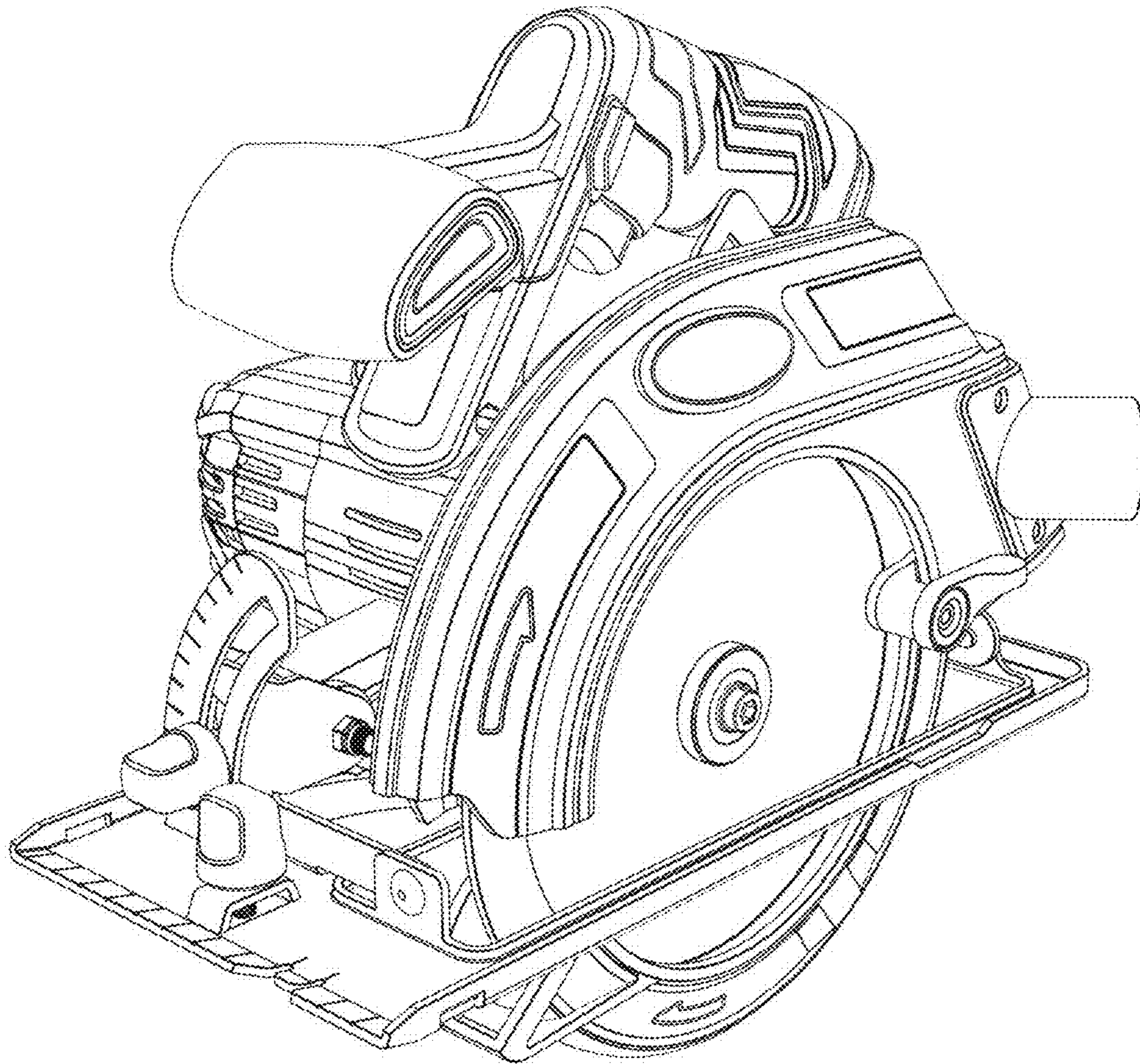


FIG. 1

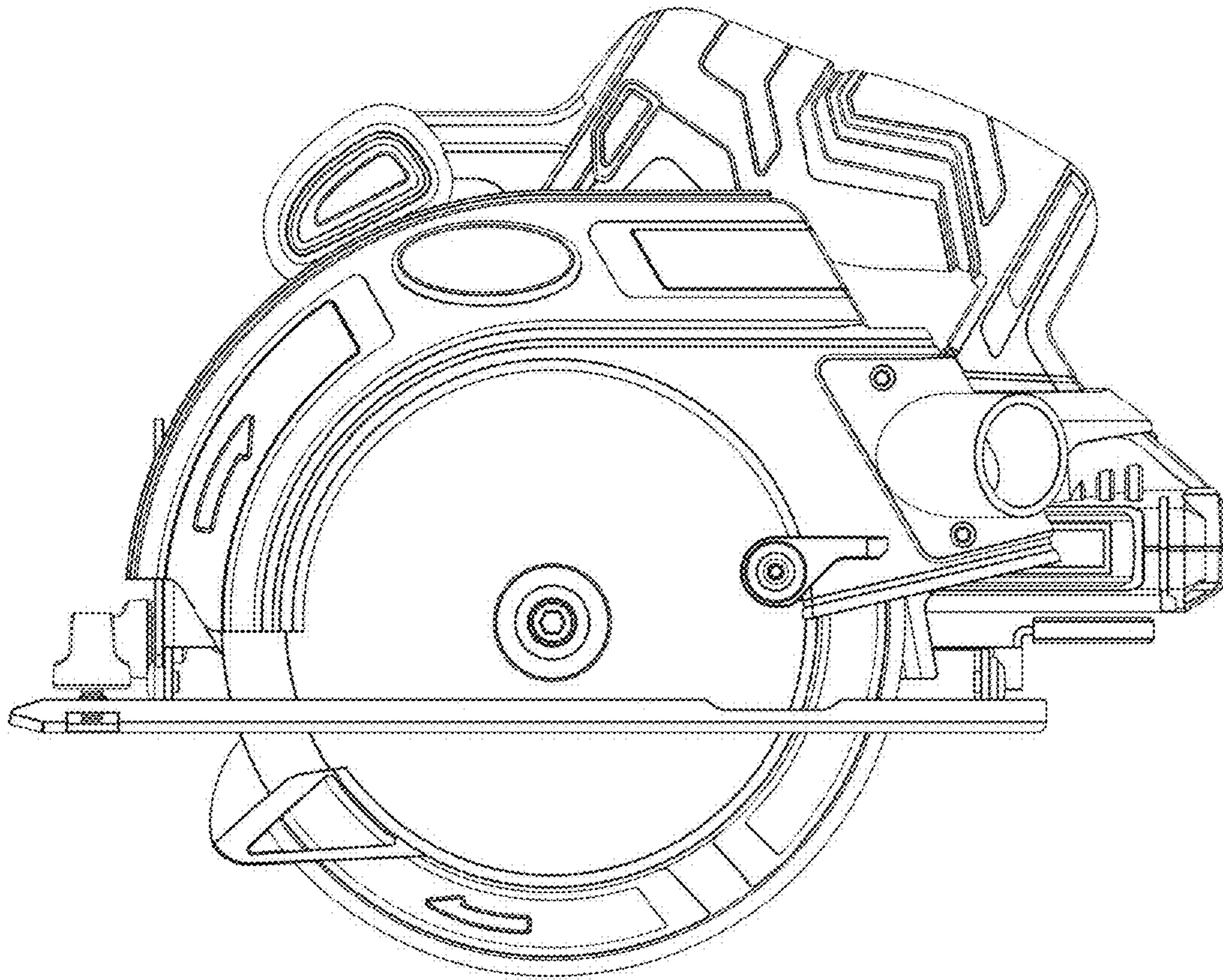


FIG. 2

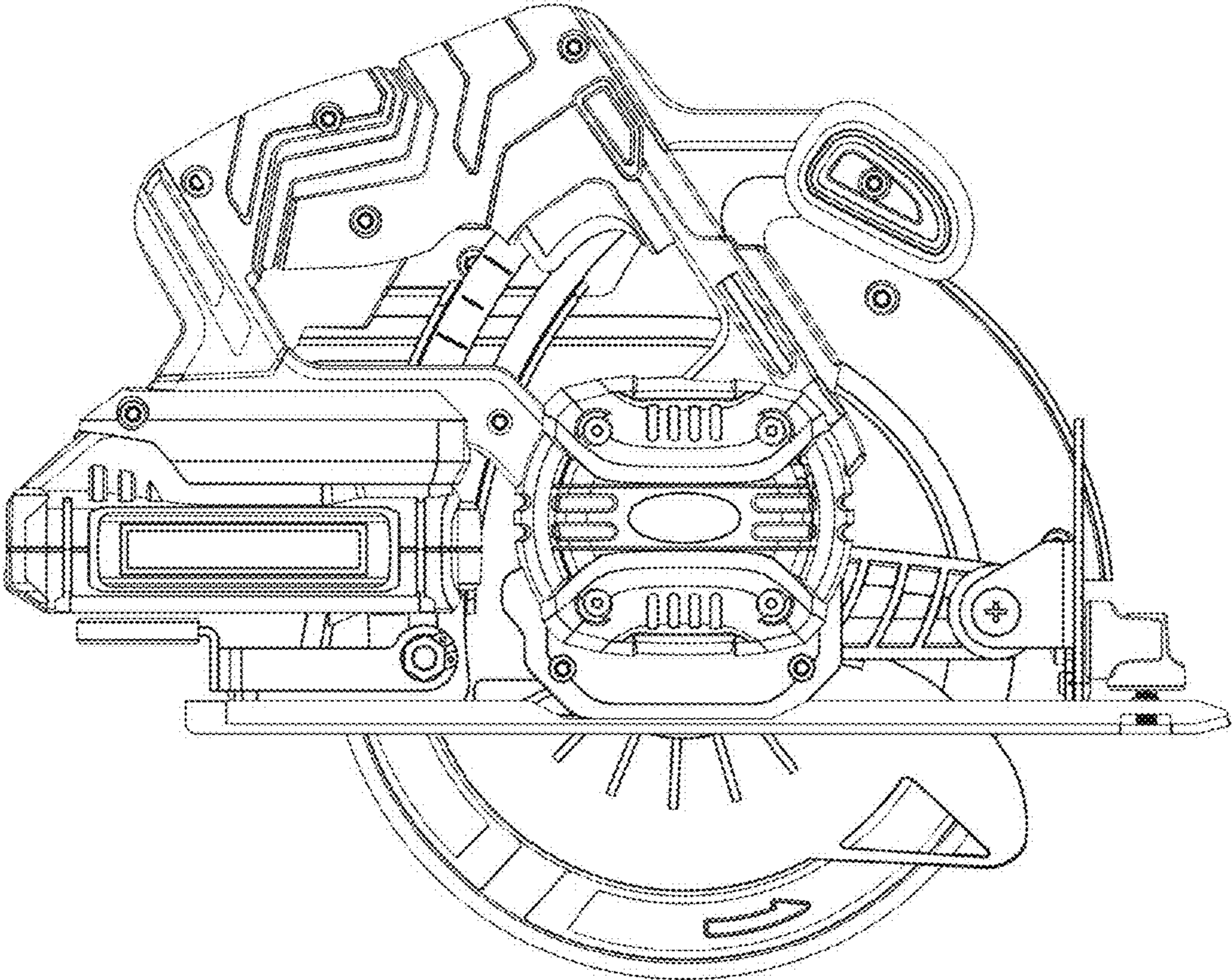


FIG. 3

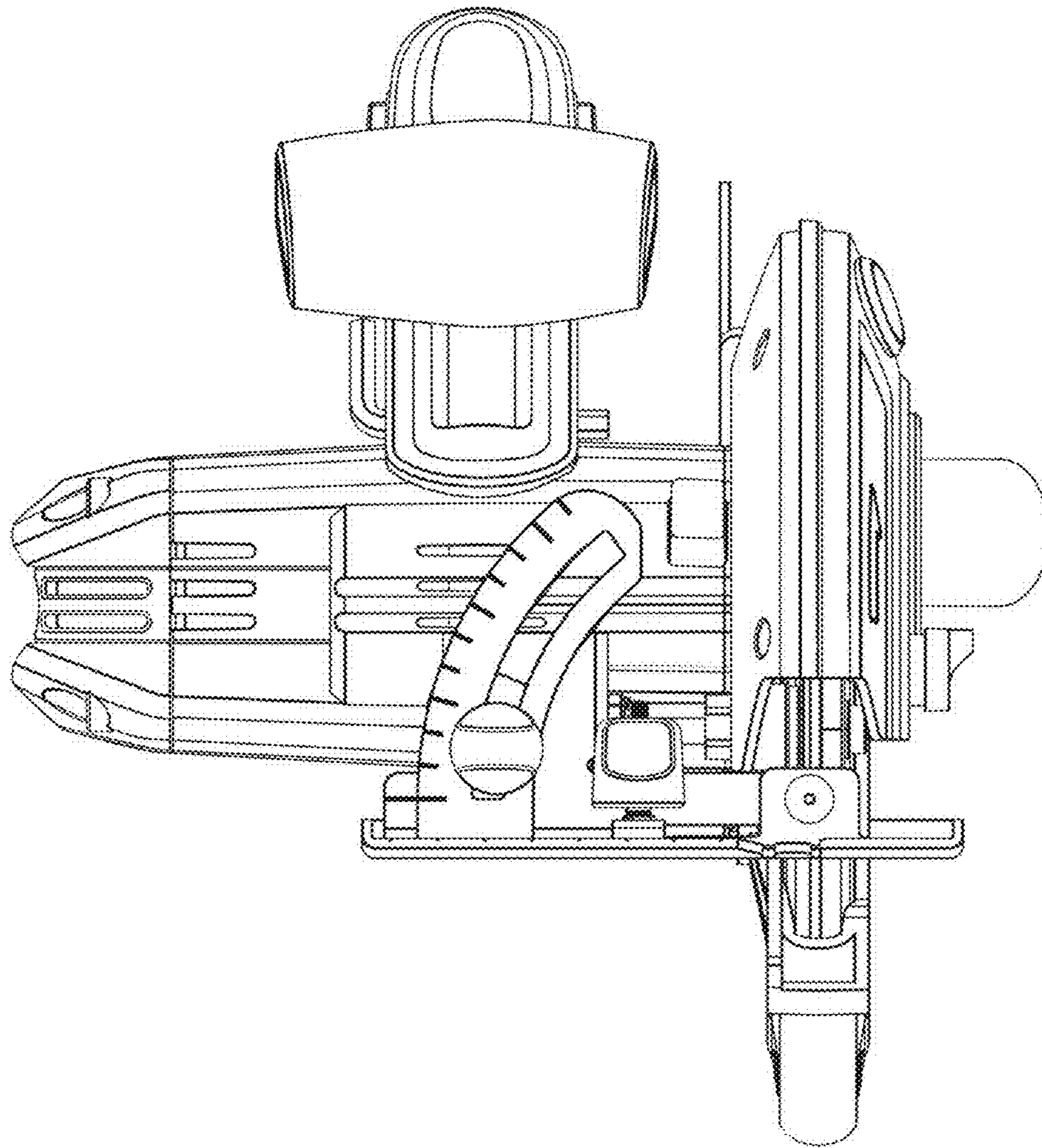


FIG. 4

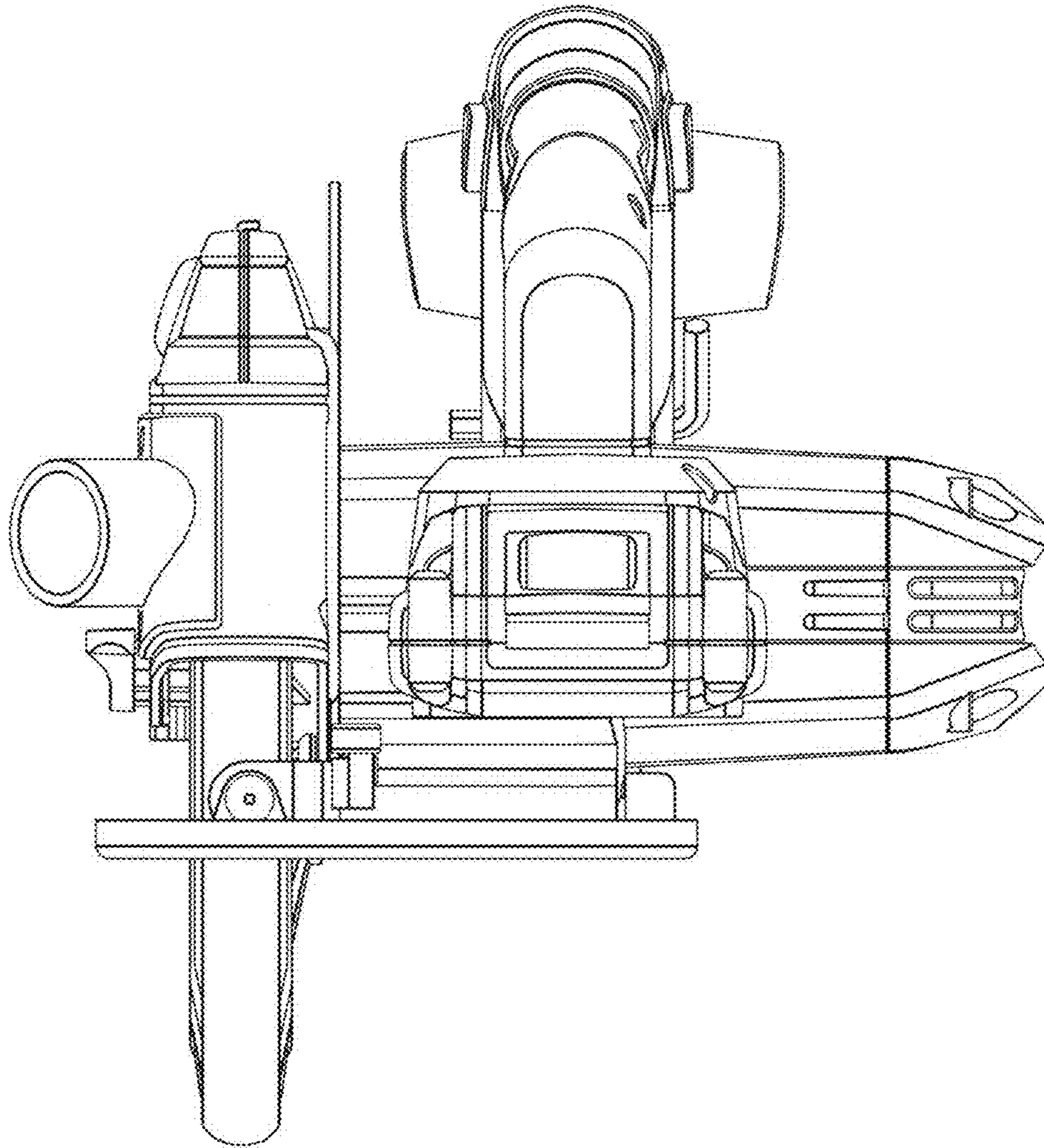


FIG. 5

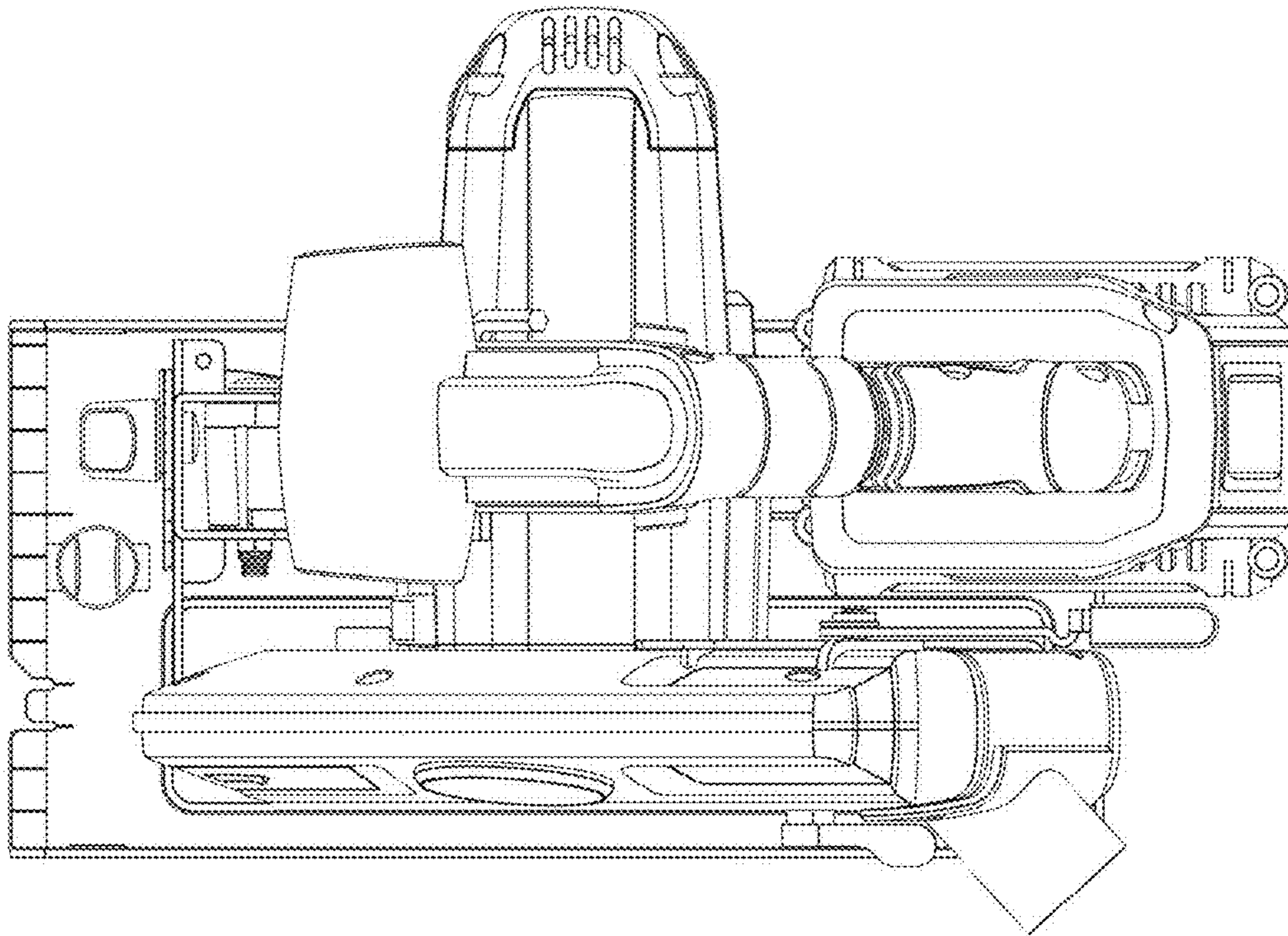


FIG. 6

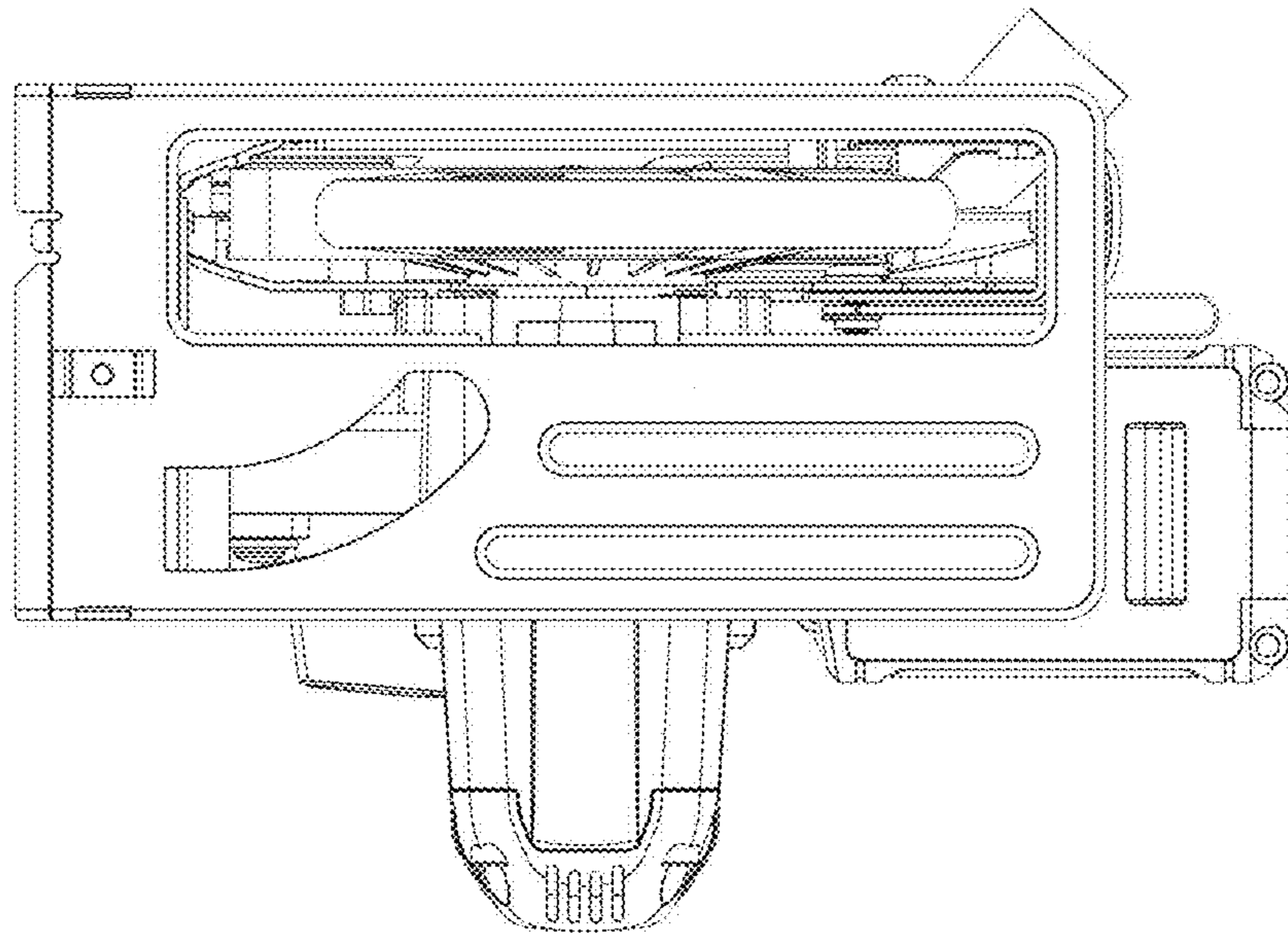


FIG. 7