



US00D790303S

(12) **United States Design Patent**
Tinius

(10) **Patent No.:** **US D790,303 S**
(45) **Date of Patent:** **** Jun. 27, 2017**

(54) **CORDLESS CHAINSAW**
(71) Applicant: **Andreas Stihl AG & Co. KG**,
Waiblingen (DE)
(72) Inventor: **Michael Tinius**, Ulm (DE)
(73) Assignee: **Andreas Stihl AG & Co. KG**,
Waiblingen (DE)
(**) Term: **15 Years**

D237,352 S 10/1975 Shymkus
4,178,685 A 12/1979 Inaga
4,188,935 A 2/1980 Tubesing
4,197,640 A 4/1980 Murray
D255,770 S 7/1980 Asamoto
D256,584 S 8/1980 Tuggle et al.
D273,456 S 4/1984 McDougall et al.
4,534,005 A 8/1985 Nagashima et al.
4,602,656 A 7/1986 Nagashima et al.
4,630,372 A 12/1986 Nagashima
4,654,970 A 4/1987 Nagashima
4,662,071 A 5/1987 Hoppner et al.
4,683,660 A 8/1987 Schurr

(Continued)

(21) Appl. No.: **29/548,238**

(22) Filed: **Dec. 11, 2015**

(30) **Foreign Application Priority Data**

Aug. 6, 2015 (EM) 002750455-0002

(51) **LOC (10) Cl.** **08-03**

(52) **U.S. Cl.**
USPC **D8/65**

(58) **Field of Classification Search**
USPC D8/1, 7, 8, 9, 499, 61, 64, 65, 69;
D15/1, 17
CPC B27B 17/00; B27B 17/08; B27B 17/0008;
B25F 5/02; Y10T 83/9324; A01D 34/01;
A01D 34/416; A01D 34/4161; A01D
34/84; A01D 34/90; A01G 3/06; A01G
3/053; A01G 3/067; A01G 3/0535; A01G
3/00; A01G 3/062

See application file for complete search history.

(56) **References Cited**

U.S. PATENT DOCUMENTS

D216,384 S 12/1969 George
3,583,106 A 6/1971 Dobbertin
3,620,269 A 11/1971 Alfonso Lange et al.
3,680,608 A 8/1972 Emmerich et al.
3,733,700 A 5/1973 Notaras et al.
3,845,827 A 11/1974 Schulin

Primary Examiner — Sandra Snapp

Assistant Examiner — Ieisha Price

(74) *Attorney, Agent, or Firm* — McGuireWoods LLP

(57) **CLAIM**

We claim the ornamental design for a cordless chainsaw, as shown and described.

DESCRIPTION

FIG. 1 is a right perspective view of the cordless chainsaw; FIG. 2 is a front view of the cordless chainsaw shown in FIG. 1;

FIG. 3 is a rear view of the cordless chainsaw shown in FIG. 1;

FIG. 4 is a left side view of the cordless chainsaw shown in FIG. 1;

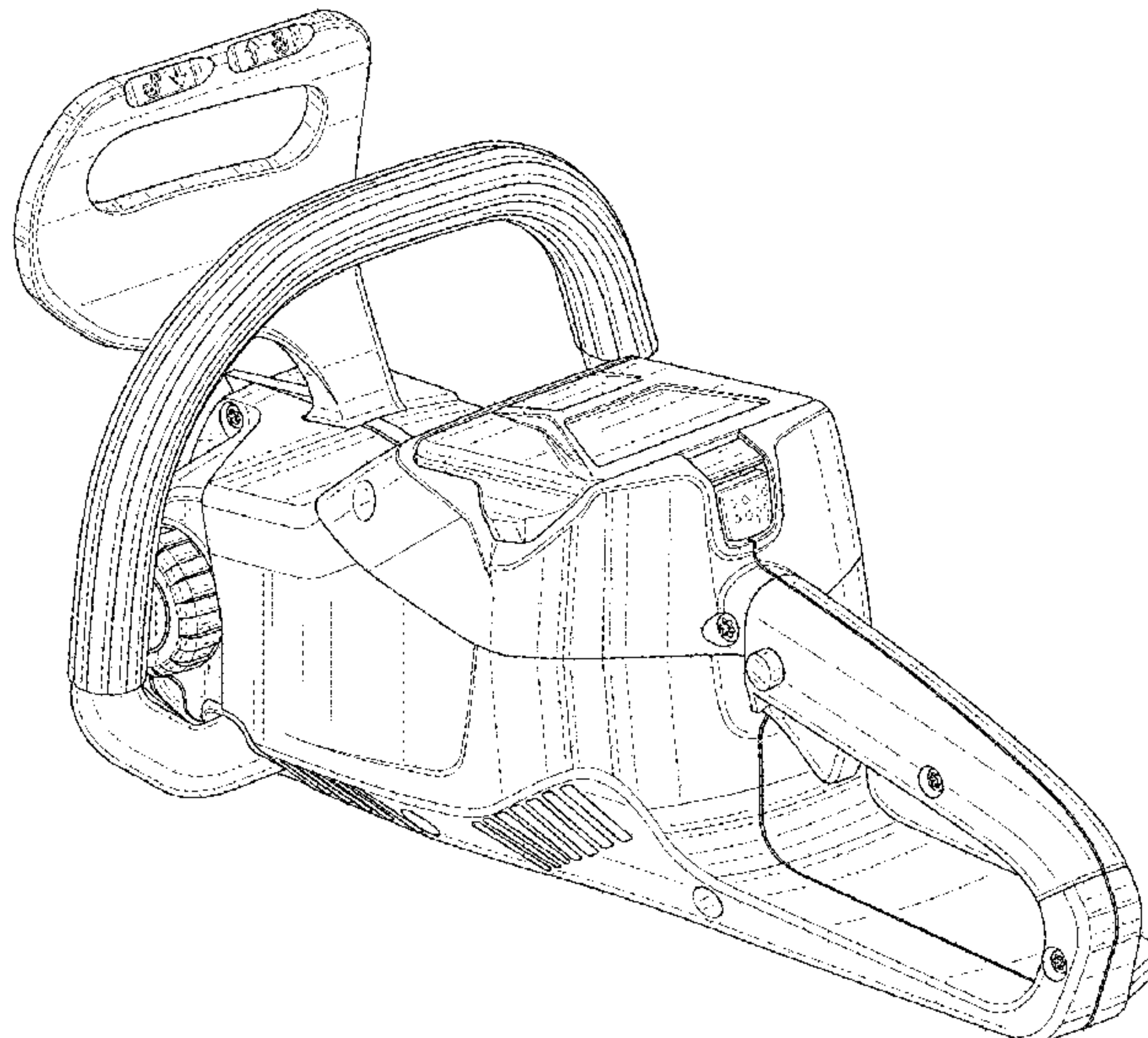
FIG. 5 is a right side view of the cordless chainsaw shown in FIG. 1;

FIG. 6 is a top view of the cordless chainsaw shown in FIG. 1; and,

FIG. 7 is a bottom view of the cordless chainsaw shown in FIG. 1.

The subject matter shown in dashed lines, and any surfaces of the design not shown, including interior surfaces, form no part of the claimed invention.

1 Claim, 7 Drawing Sheets



(56)

References Cited

U.S. PATENT DOCUMENTS

4,693,006 A	9/1987	Wehle	D615,836 S	5/2010	Kosugi et al.	
H000378 H	12/1987	Matsumoto	D623,487 S *	9/2010	Tinius	D8/8
D295,713 S	5/1988	Nagashima et al.	D624,371 S *	9/2010	Tinius	D8/8
4,753,012 A	6/1988	Schurr	D633,353 S	3/2011	Tinius	
4,809,438 A	3/1989	Nagashima et al.	D633,766 S	3/2011	Tinius	
4,819,332 A	4/1989	Sugihara et al.	D636,652 S	4/2011	Mehra	
D303,207 S	9/1989	Narakima	D640,110 S	6/2011	Tinius	
4,939,842 A	7/1990	Rebhan	D640,111 S *	6/2011	Tinius	D8/65
5,029,393 A	7/1991	Nagashima et al.	D641,603 S *	7/2011	Tinius	D8/65
5,038,474 A	8/1991	Larsson et al.	D645,315 S	9/2011	Tinius	
D320,728 S	10/1991	Arvidsson	D647,773 S	11/2011	Sugishita et al.	
5,070,618 A	12/1991	Edlund	D649,852 S	12/2011	Tinius	
D325,330 S	4/1992	Barnhill	D649,853 S	12/2011	Tinius	
5,212,886 A	5/1993	Tasaki	D651,061 S	12/2011	Tinius	
5,233,750 A	8/1993	Wolf et al.	D651,497 S	1/2012	Worsnop	
D361,251 S	8/1995	Griffin	D658,959 S	5/2012	Landberg	
D364,326 S	11/1995	Lohse et al.	D658,960 S	5/2012	Landberg	
D365,262 S	12/1995	Beaulieu et al.	D662,801 S	7/2012	Tinius	
5,485,814 A	1/1996	Tuggle et al.	D663,182 S	7/2012	Schoening et al.	
5,570,512 A	11/1996	Hoppner	D663,599 S	7/2012	Tinius	
D377,441 S	1/1997	Hoppner et al.	D668,923 S	10/2012	Tinius	
D378,184 S	2/1997	Naslund et al.	D669,329 S	10/2012	Tinius	
D385,766 S	11/1997	Kondo et al.	D670,144 S	11/2012	Tinius	
D386,958 S	12/1997	Karlsson et al.	D681,412 S	5/2013	Ortlund et al.	
5,826,478 A	10/1998	Zerrer	D690,570 S *	10/2013	Tinius	D8/65
5,855,067 A	1/1999	Taomo et al.	D701,102 S	3/2014	Itoh et al.	
D408,247 S	4/1999	Juratovac et al.	D702,098 S	4/2014	Landberg	
D412,652 S	8/1999	Durr et al.	D707,094 S	6/2014	Carl	
5,960,549 A *	10/1999	Hoppner	D711,700 S *	8/2014	Mehra	D8/65
		B27B 17/0008	D711,716 S	8/2014	Tinius	
		30/381	D725,452 S	3/2015	Carl	
5,992,025 A	11/1999	Fricke	D729,027 S *	5/2015	Tinius	D8/65
6,016,604 A *	1/2000	Wolf	D731,868 S	6/2015	Tinius	
		B25F 5/006	D737,646 S	9/2015	Tinius	
		30/382	D738,175 S	9/2015	Tinius	
D445,657 S	7/2001	Jong	9,138,884 B2 *	9/2015	Heinzelmann	B25F 5/008
6,374,501 B1	4/2002	Claesson	D741,678 S	10/2015	Tinius	
D466,957 S	12/2002	Visnick	D744,308 S	12/2015	Tinius	
6,546,631 B2	4/2003	Iida et al.	D763,051 S *	8/2016	Tinius	D8/65
6,591,826 B1	7/2003	Donnerdal	2001/0003983 A1	6/2001	Iida et al.	
6,637,117 B2	10/2003	Kobayashi	2002/0073551 A1	6/2002	Goodwin	
D481,601 S	11/2003	Ashfield	2002/0124421 A1	9/2002	Hermes et al.	
D505,602 S	5/2005	Houghton	2002/0129502 A1	9/2002	Durr et al.	
6,955,152 B2	10/2005	Uhl et al.	2003/0051351 A1	3/2003	Buchholtz et al.	
6,973,726 B2	12/2005	Kramer	2003/0088987 A1	5/2003	Jong	
D530,175 S	10/2006	Arvidsson et al.	2003/0167642 A1	9/2003	Chen	
7,137,877 B2	11/2006	Uhl et al.	2003/0188618 A1	10/2003	Menzel et al.	
D533,757 S	12/2006	Arvidsson et al.	2004/0016133 A1	1/2004	Gorenflo et al.	
7,168,132 B2	1/2007	Durr et al.	2004/0103857 A1	6/2004	Kruse	
D538,123 S	3/2007	Yates	2006/0107533 A1 *	5/2006	Schlauch	B27B 17/00 30/381
D545,157 S	6/2007	Fisher et al.	2006/0137653 A1	6/2006	Amend et al.	
D547,630 S	7/2007	Fisher et al.	2006/0230900 A1	10/2006	Bergquisto	
D549,537 S	8/2007	Harada et al.	2006/0254557 A1	11/2006	Hamisch et al.	
D558,019 S	12/2007	Granberg et al.	2008/0036429 A1 *	2/2008	Leufen	B27B 17/00 322/46
D558,020 S	12/2007	Karlsson et al.	2008/0196687 A1	8/2008	Kohler et al.	
D561,551 S	2/2008	Tinius	2010/0218385 A1 *	9/2010	Mang	A01G 3/053 30/216
D563,747 S	3/2008	Tinius	2010/0218386 A1 *	9/2010	Ro kamp	A01G 3/053 30/277.4
D573,860 S	7/2008	Shimokawa et al.	2012/0102765 A1	5/2012	Andersson et al.	
D574,207 S	8/2008	Arnesson et al.	2013/0091715 A1	4/2013	Zimmermann et al.	
D576,005 S	9/2008	Shimokawa et al.	2013/0312267 A1 *	11/2013	Engel	B27B 17/08 30/123.4
D577,557 S	9/2008	Shimokawa et al.	2014/0283665 A1	9/2014	Seigneur et al.	
D579,742 S	11/2008	Arvidsson et al.	2014/0290074 A1	10/2014	Takayanagi et al.	
D580,724 S	11/2008	Tinius	2016/0221208 A1 *	8/2016	Wolf	B27B 17/00
D596,912 S	7/2009	Arvidsson et al.				
D606,829 S	12/2009	Tinius				
D607,292 S	1/2010	Tinius				
D607,293 S	1/2010	Tinius				
D609,070 S	2/2010	Tinius				

* cited by examiner

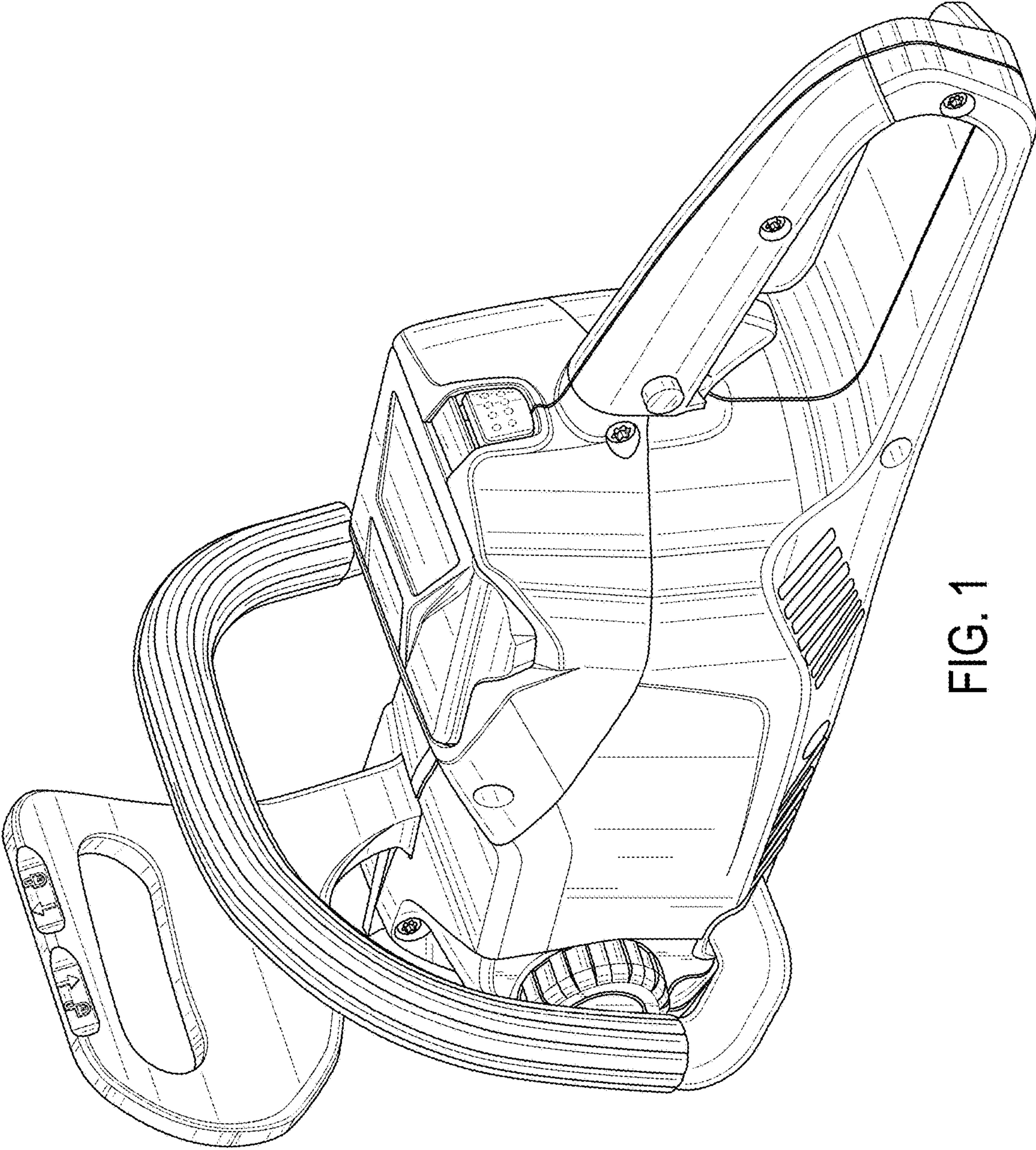


FIG. 1

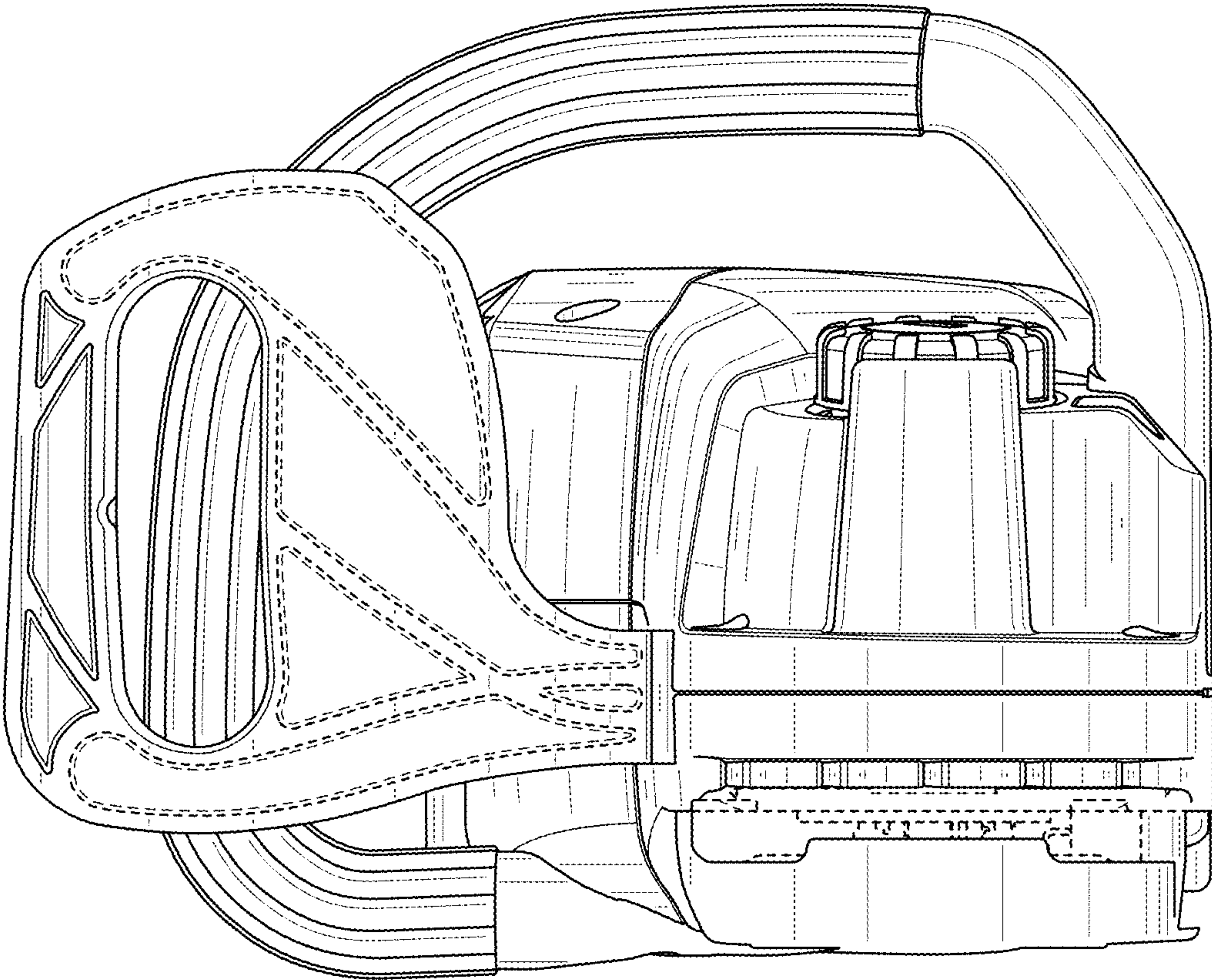


FIG. 2

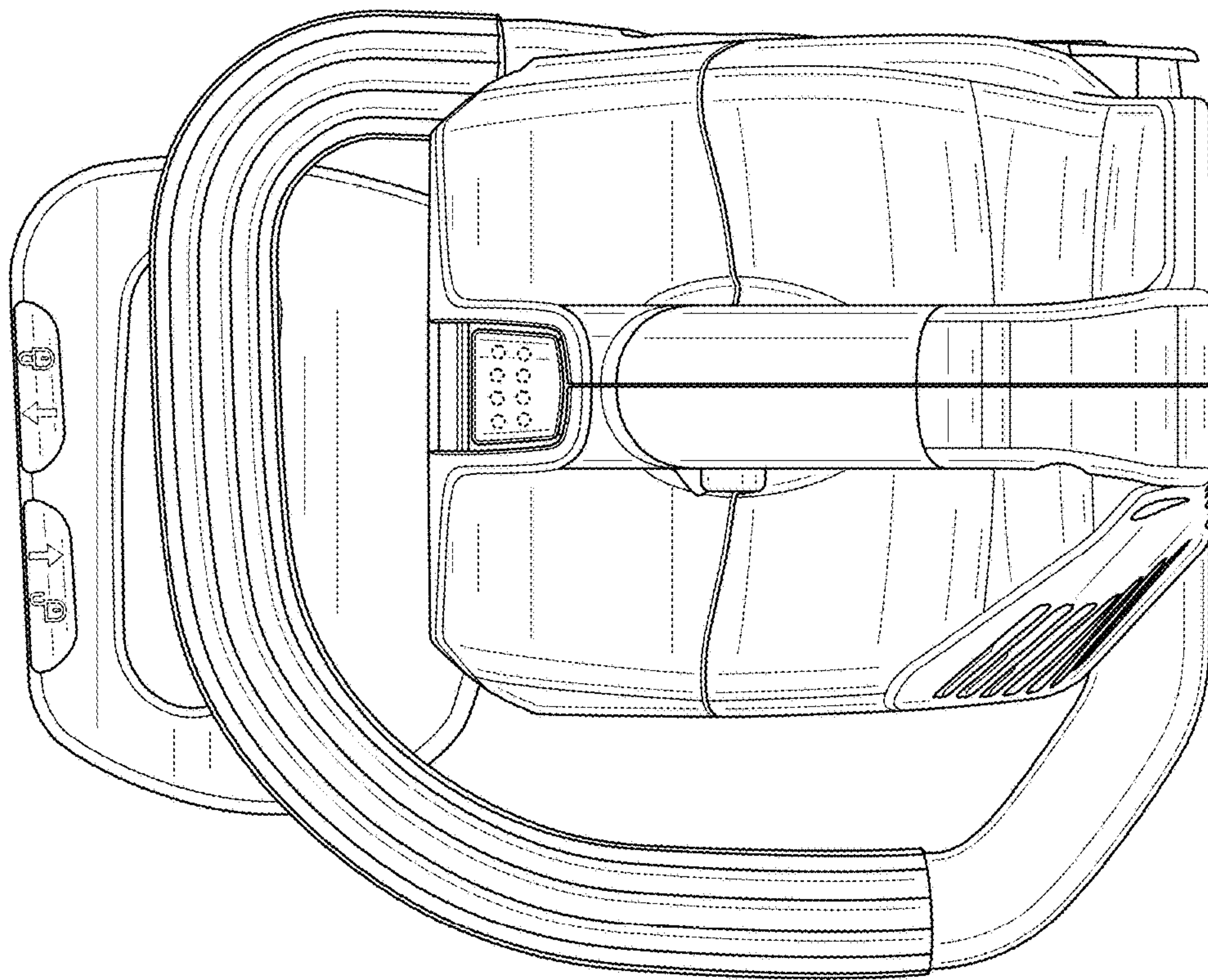


FIG. 3

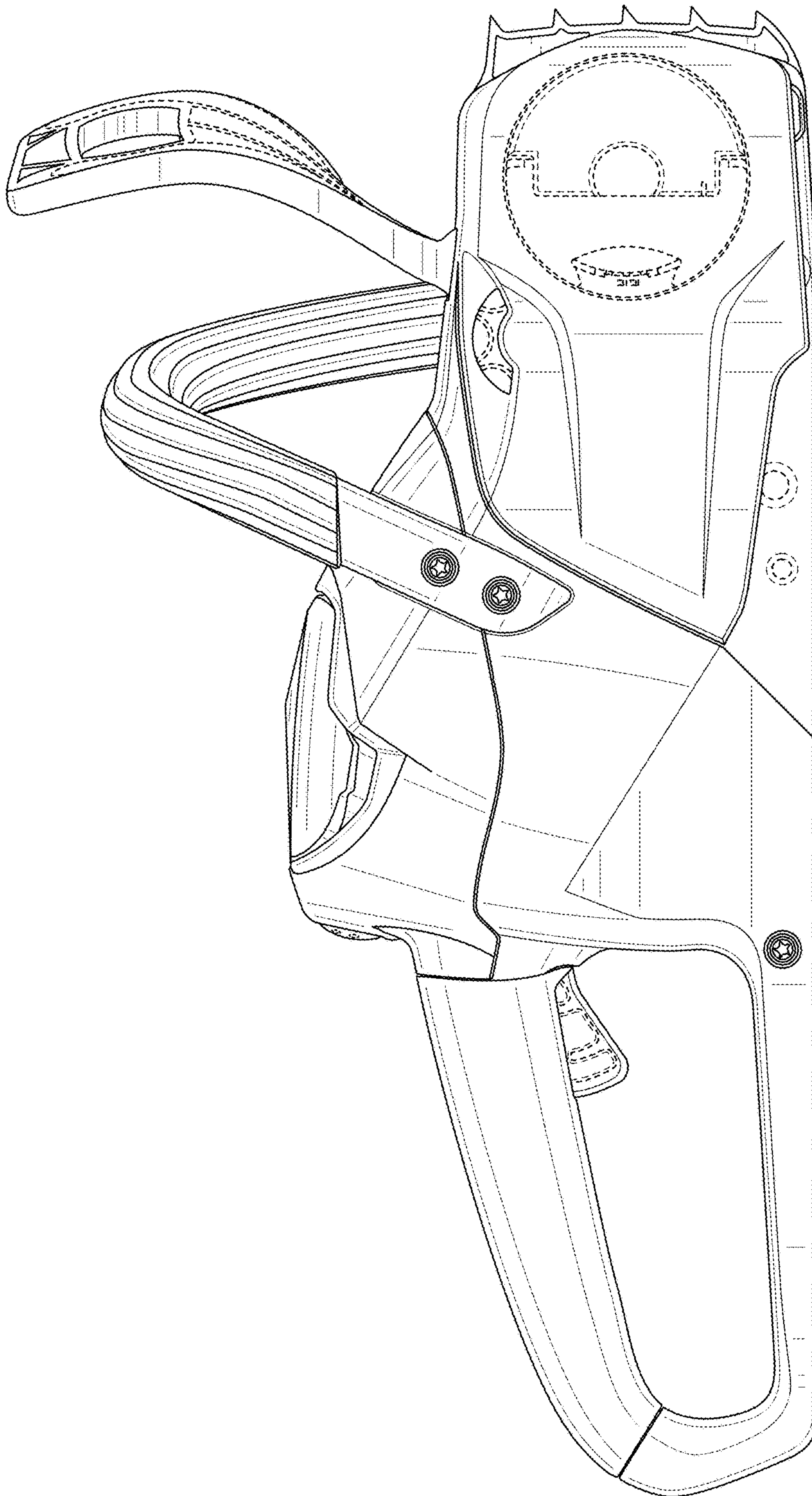


FIG. 4

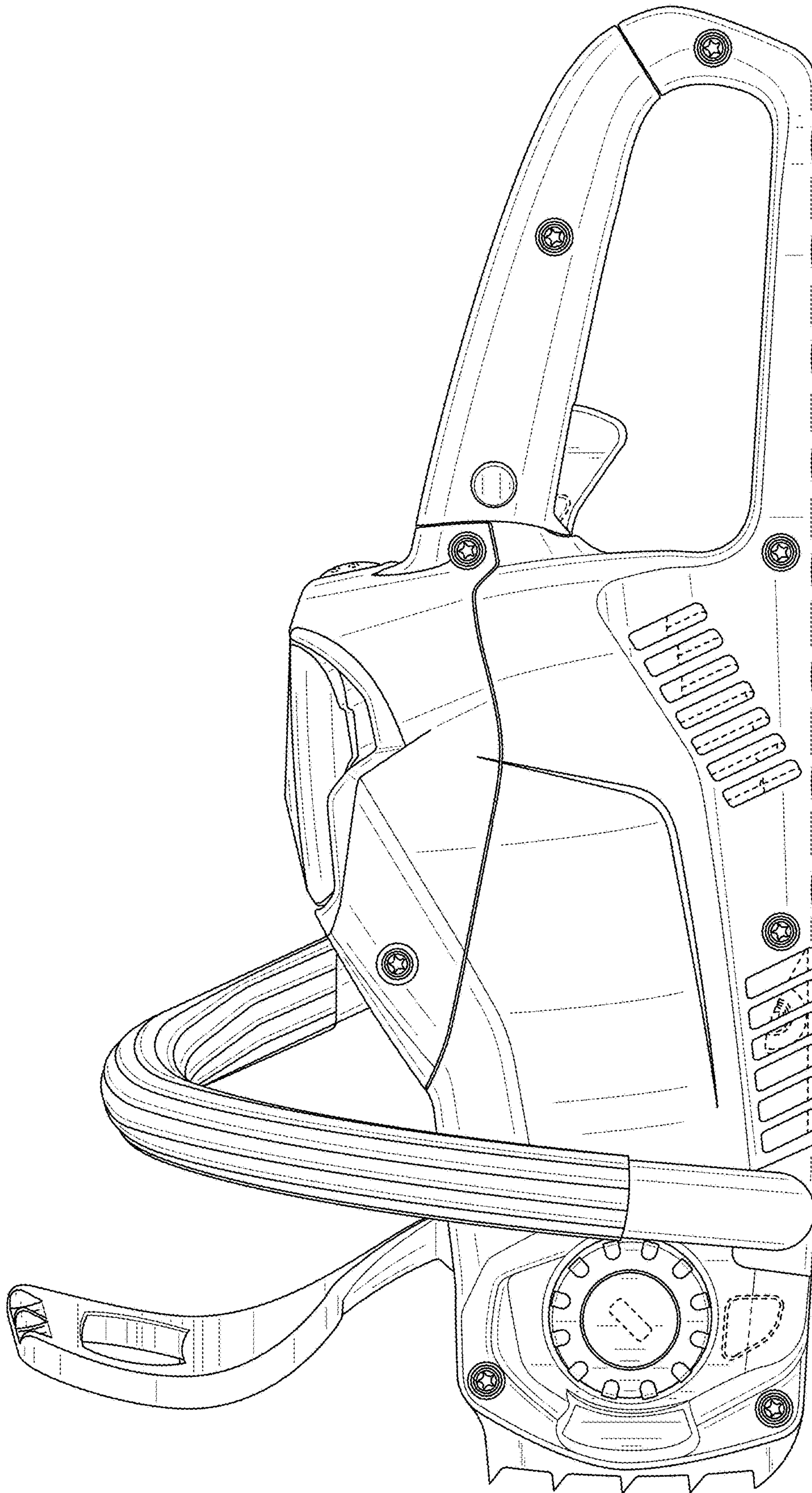


FIG. 5

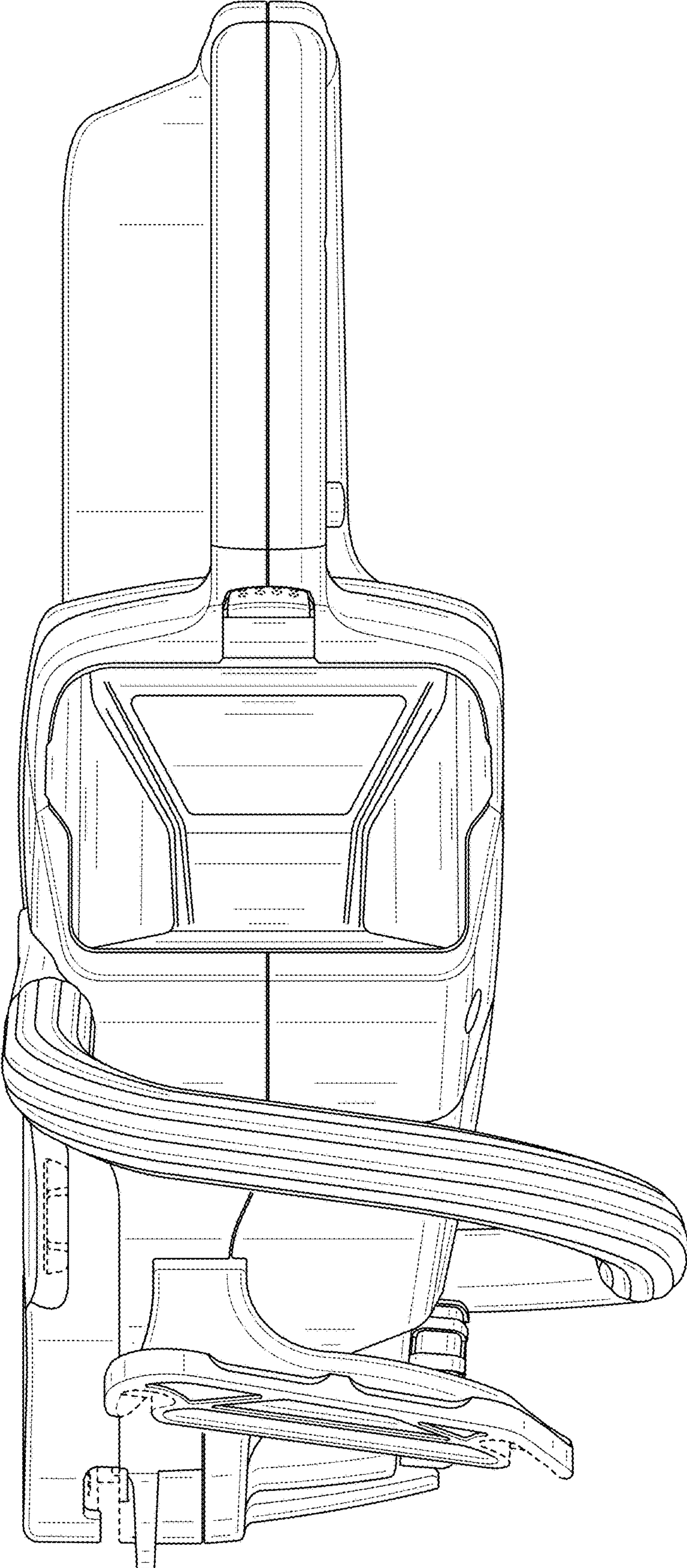


FIG. 6

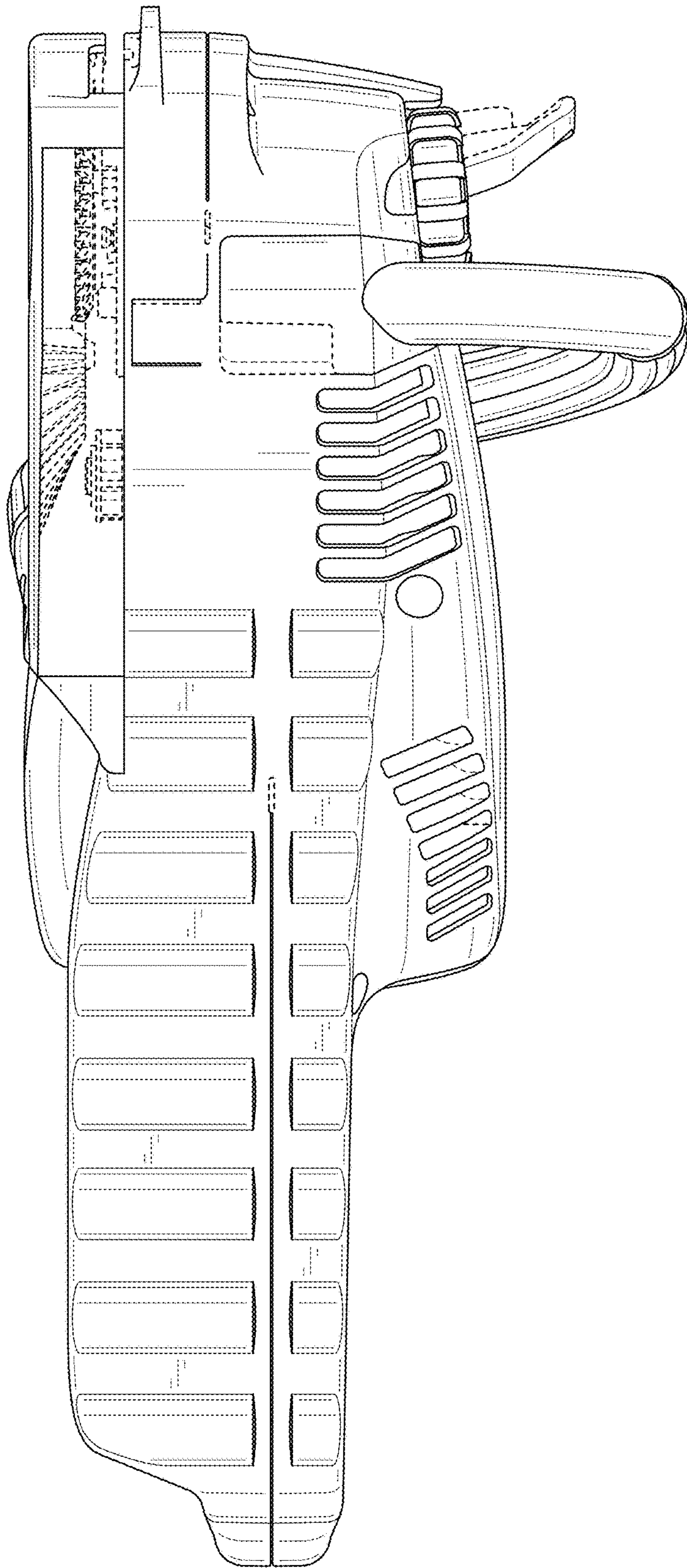


FIG. 7