



US00D790301S

(12) **United States Design Patent**
Waldron

(10) **Patent No.:** **US D790,301 S**

(45) **Date of Patent:** **** Jun. 27, 2017**

(54) **POWERED RECIPROCAL SAW WITH REAR MOUNTED MOTOR**

(71) Applicants: **7RDD Limited**, York (GB); **Ningbo Gemay Industry Company Limited**, Ningbo (CN)

(72) Inventor: **Michael Waldron**, York (GB)

(73) Assignees: **7RDD Limited**, York (GB); **Ningbo Gemay Industry Company Limited**, Ningbo (CN)

(**) Term: **15 Years**

(21) Appl. No.: **29/559,338**

(22) Filed: **Mar. 28, 2016**

(51) **LOC (10) Cl.** **08-03**

(52) **U.S. Cl.**
USPC **D8/64**

(58) **Field of Classification Search**
USPC D8/69, 68, 67, 66, 65, 64, 62, 61; 30/92, 30/394, 393, 392, 377, 376, 371; 74/50, 74/49; 173/217, 216; 83/699.21; 446/145
CPC B26B 7/00; B23D 51/16; B23D 51/10; B25F 5/02; B62B 7/00

See application file for complete search history.

(56) **References Cited**

U.S. PATENT DOCUMENTS

D582,739 S * 12/2008 Aoki D8/64
D631,314 S * 1/2011 Baxter D8/64

D639,130 S * 6/2011 Ukai D8/64
D677,542 S * 3/2013 Baxter D8/64
D679,565 S * 4/2013 Aglassinger D8/64
D685,242 S * 7/2013 Vitantonio D8/64
D688,928 S * 9/2013 Busschaert D8/64
D705,028 S * 5/2014 Vitantonio D8/64
D752,406 S * 3/2016 Kanda D8/64

* cited by examiner

Primary Examiner — Austin Murphy

(74) *Attorney, Agent, or Firm* — McKee, Voorhees & Sease, PLC

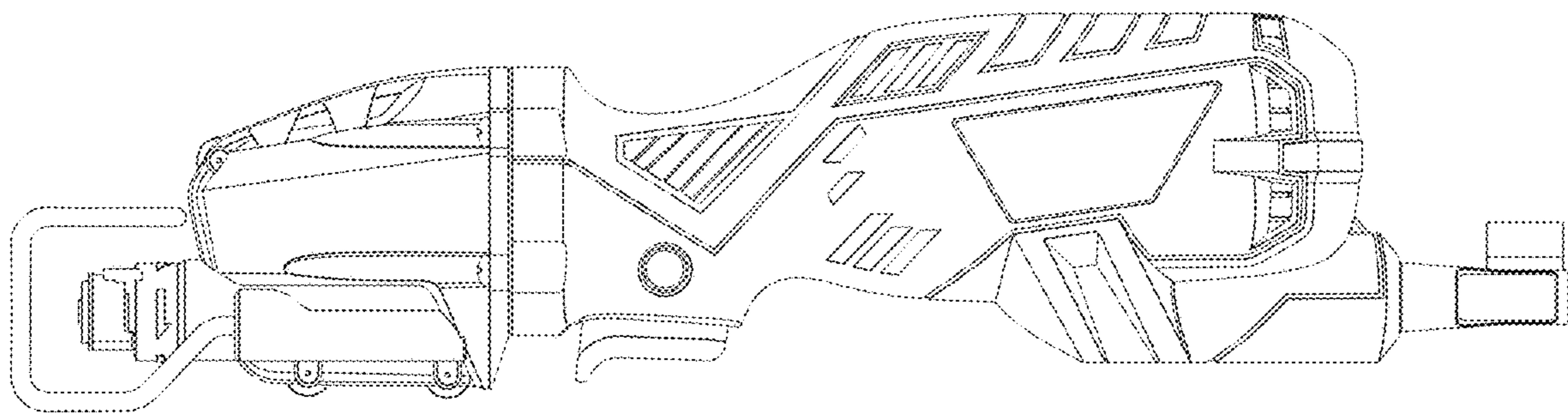
(57) **CLAIM**

The ornamental design for a powered reciprocal saw with rear mounted motor, as shown and described.

DESCRIPTION

FIG. 1 is a perspective view of a powered reciprocal saw with rear mounted motor according to the present invention; FIG. 2 is a front view of the powered reciprocal saw with rear mounted motor shown in FIG. 1; FIG. 3 is a left side view of the powered reciprocal saw with rear mounted motor shown in FIG. 1; FIG. 4 is a rear view of the powered reciprocal saw with rear mounted motor shown in FIG. 1; FIG. 5 is a right side view of the powered reciprocal saw with rear mounted motor shown in FIG. 1; FIG. 6 is a top view of the powered reciprocal saw with rear mounted motor shown in FIG. 1; and, FIG. 7 is a bottom view of the powered reciprocal saw with rear mounted motor shown in FIG. 1.

1 Claim, 7 Drawing Sheets



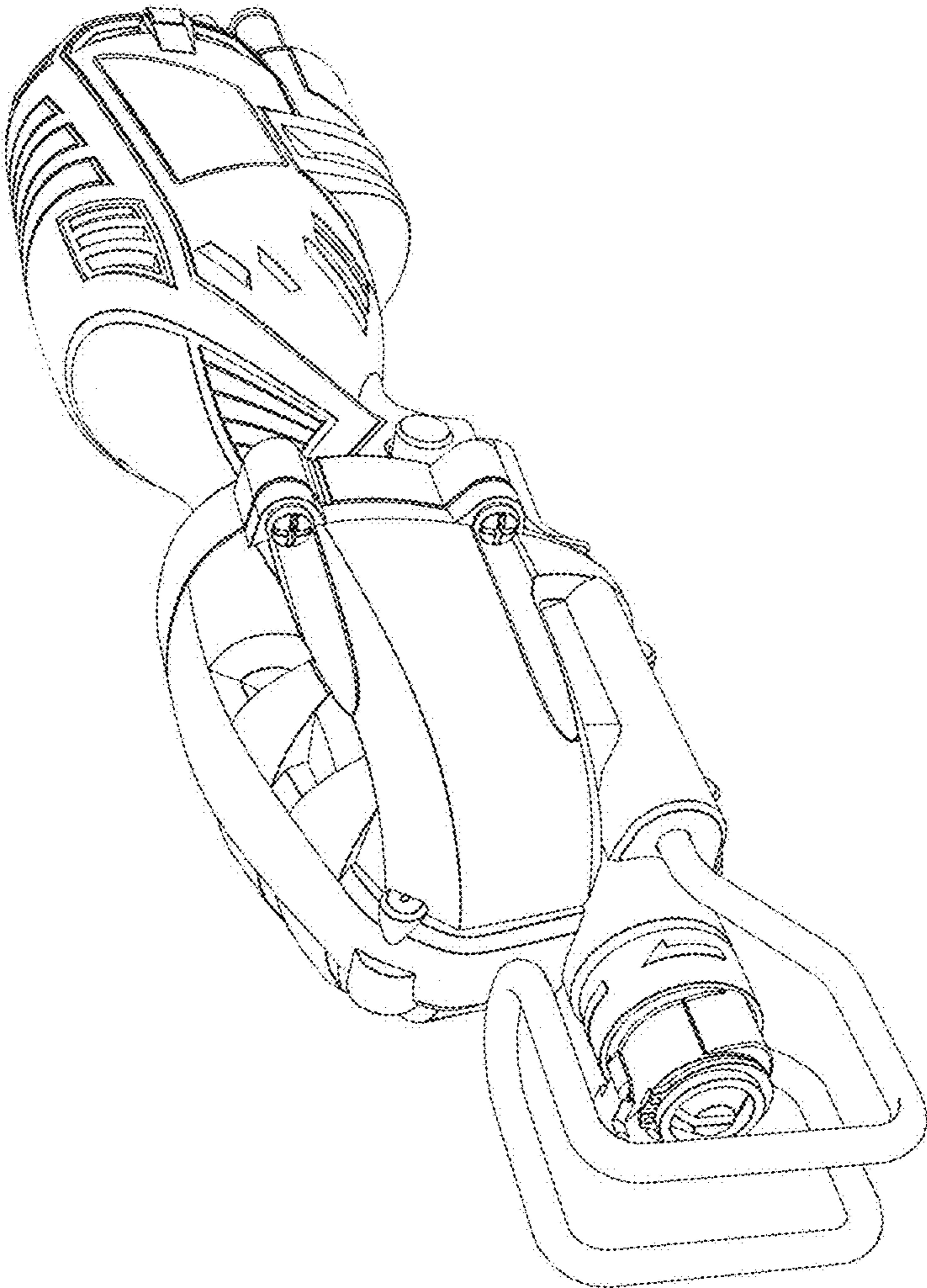


FIG. 1

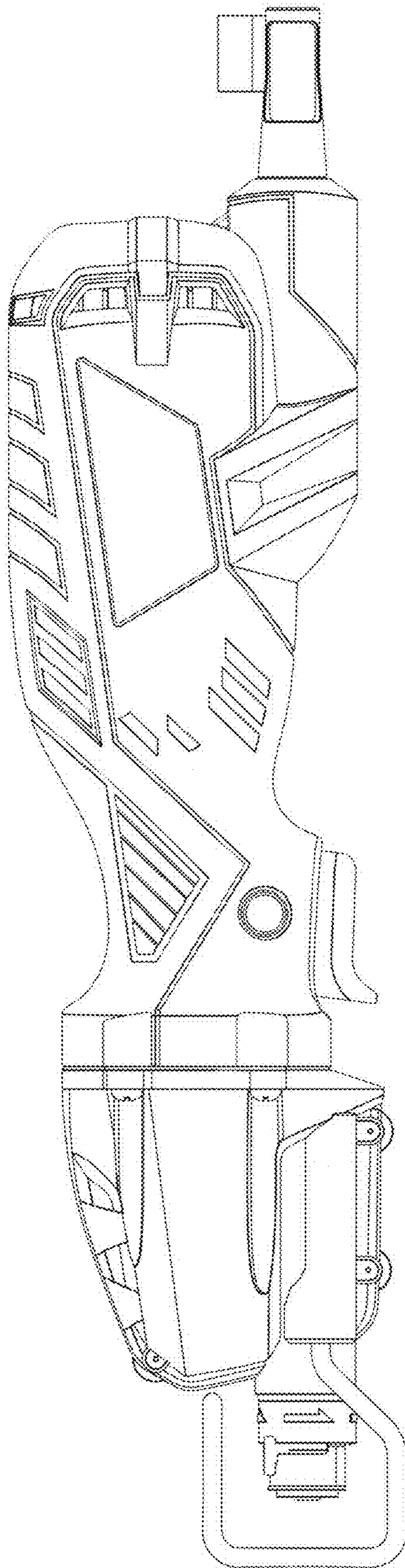


FIG. 2

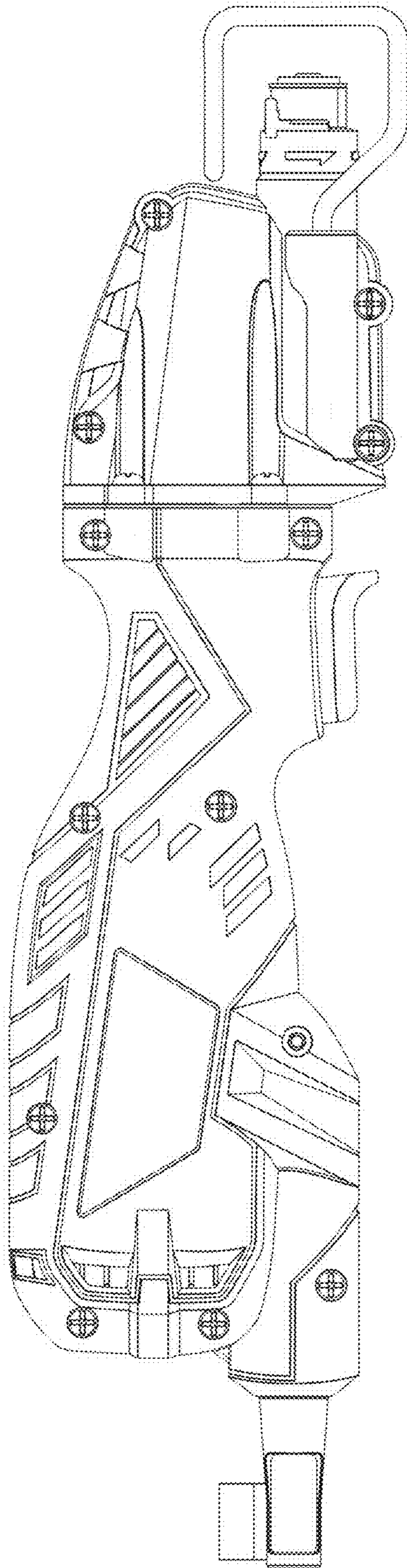


FIG. 3

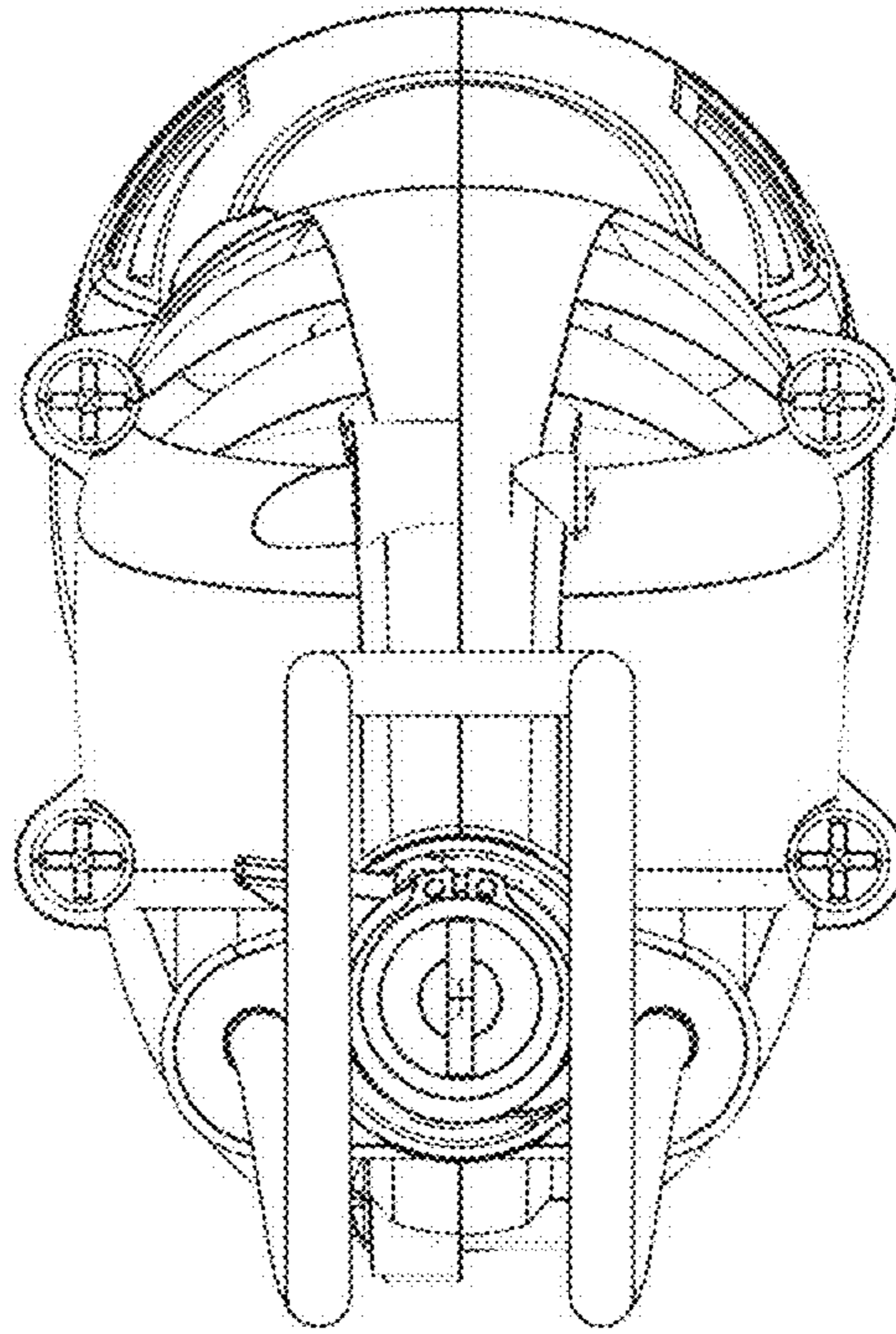


FIG. 4

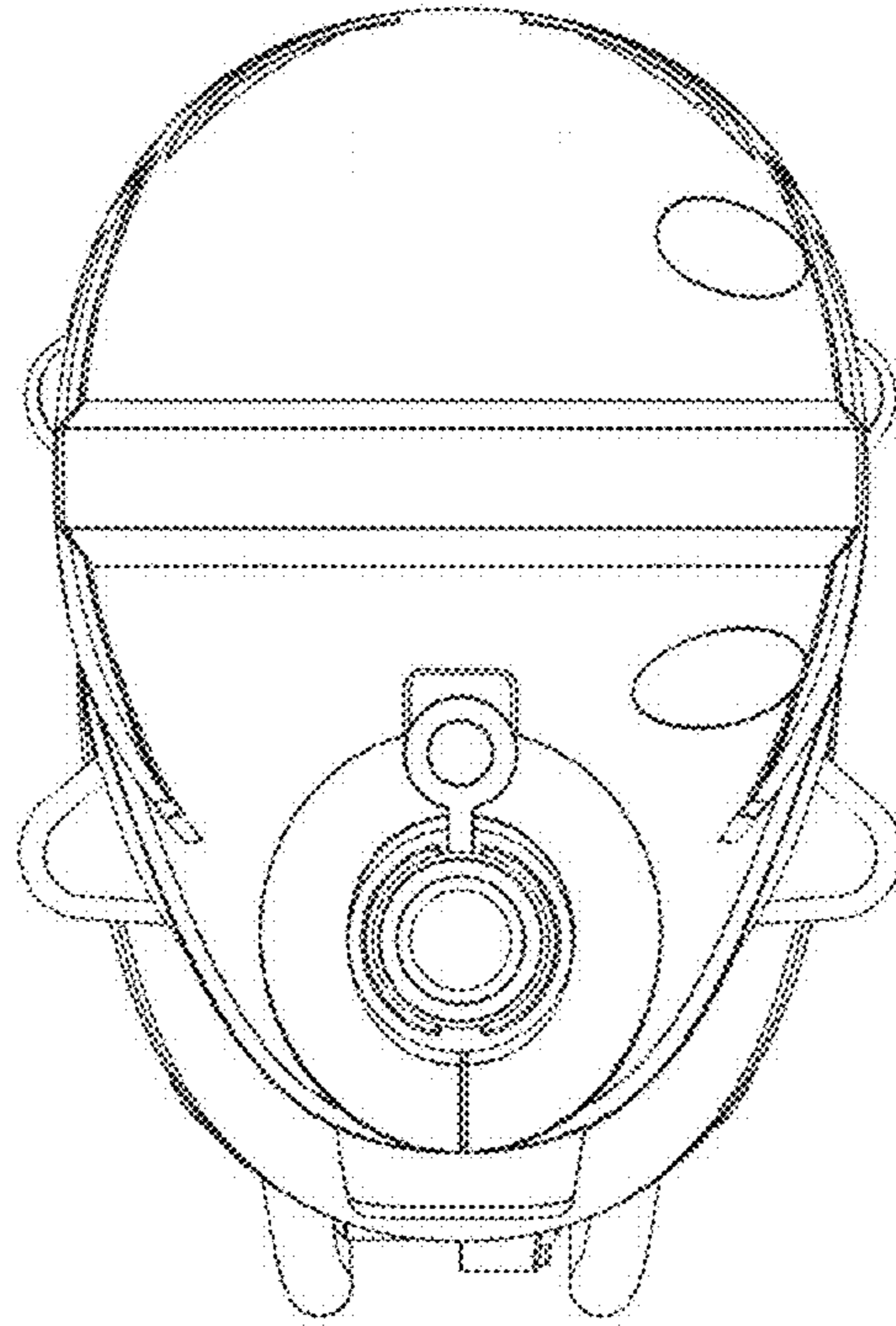


FIG. 5

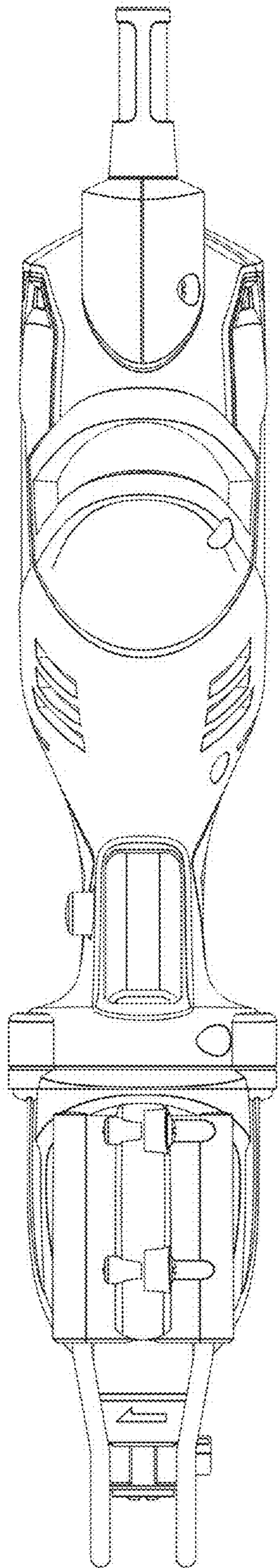


FIG. 6

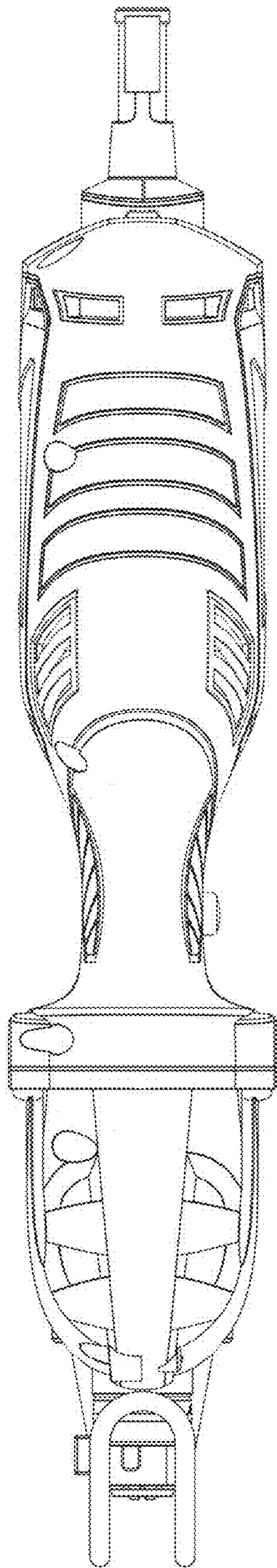


FIG. 7