



US00D790300S

(12) **United States Design Patent**
Waldron

(10) **Patent No.:** **US D790,300 S**

(45) **Date of Patent:** **** Jun. 27, 2017**

- (54) **POWERED RECIPROCAL SAW**
- (71) Applicants: **7RDD Limited**, York (GB); **Ningbo Gemay Industry Company Limited**, Ningbo (CN)
- (72) Inventor: **Michael Waldron**, York (GB)
- (73) Assignees: **7RDD Limited**, York (GB); **Ningbo Gemay Industry Company Limited**, Ningbo (CN)
- (**) Term: **15 Years**
- (21) Appl. No.: **29/559,302**
- (22) Filed: **Mar. 25, 2016**
- (51) **LOC (10) Cl.** **08-03**
- (52) **U.S. Cl.**
USPC **D8/64**
- (58) **Field of Classification Search**
USPC D8/69, 68, 67, 66, 65, 64, 62, 61; 30/92, 30/394, 393, 392, 377, 376, 371; 74/50, 74/49; 173/217, 216; 83/699.21; 446/145
CPC B26B 7/00; B23D 51/16; B23D 51/10; B25F 5/02; B62B 7/00
See application file for complete search history.

D527,597 S *	9/2006	Andriolo	D8/64
D551,930 S *	10/2007	Yamada	D8/64
D560,988 S *	2/2008	Watson	D8/64
D591,574 S *	5/2009	DiPasquale	D8/64
D596,005 S *	7/2009	Schoch	D8/64
D688,928 S *	9/2013	Busschaert	D8/64
D705,028 S *	5/2014	Vitantonio	D8/64
D705,627 S *	5/2014	Schoch	D8/64

* cited by examiner

Primary Examiner — Austin Murphy

(74) *Attorney, Agent, or Firm* — McKee, Voorhees & Sease, PLC

(57) **CLAIM**

The ornamental design for a powered reciprocal saw, as shown and described.

DESCRIPTION

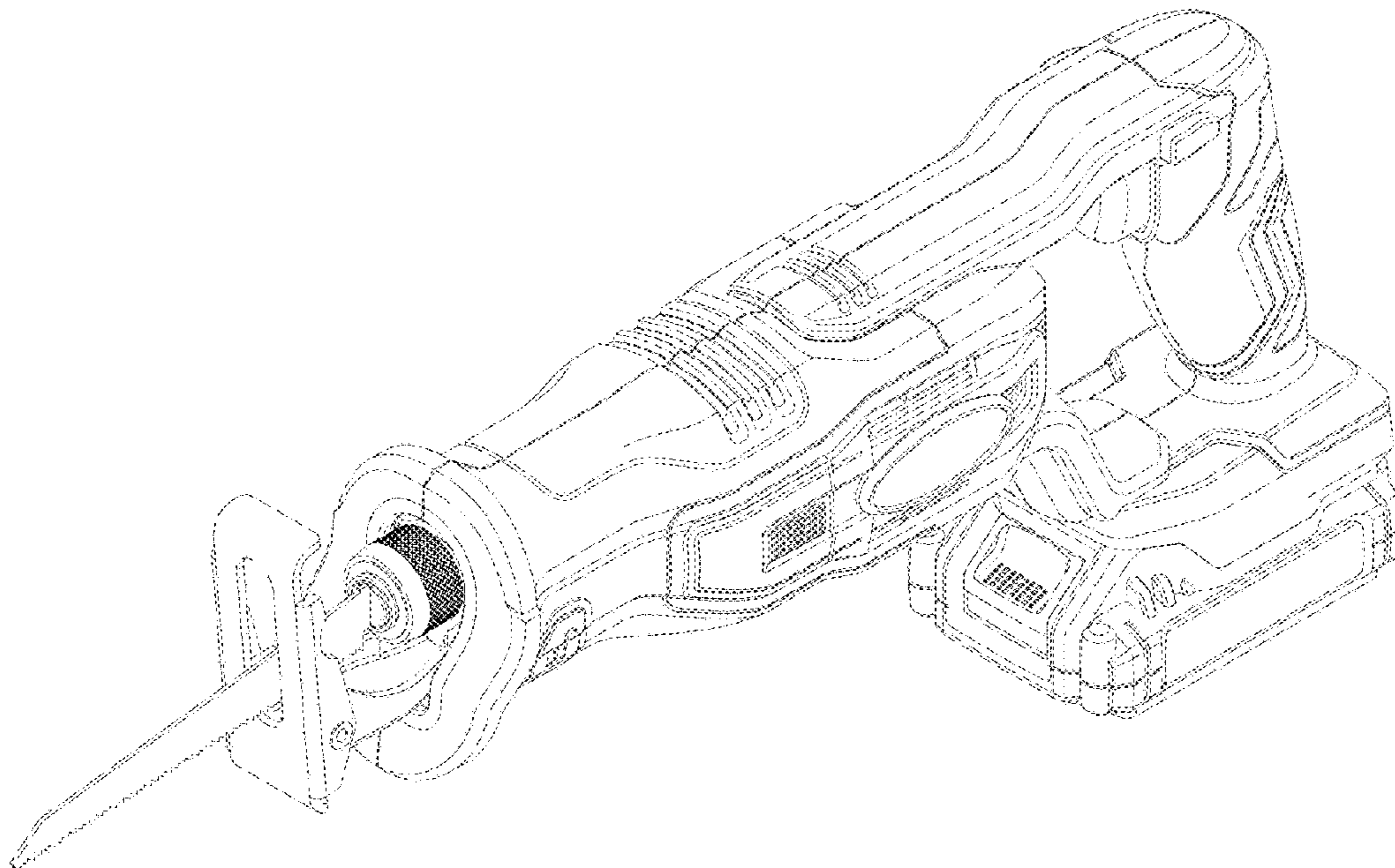
FIG. 1 is a perspective view of a powered reciprocal saw according to the present invention;
 FIG. 2 is a front view of the powered reciprocal saw shown in FIG. 1;
 FIG. 3 is a left side view of the powered reciprocal saw shown in FIG. 1;
 FIG. 4 is a rear view of the powered reciprocal saw shown in FIG. 1;
 FIG. 5 is a right side view of the powered reciprocal saw shown in FIG. 1;
 FIG. 6 is a top view of the powered reciprocal saw shown in FIG. 1; and,
 FIG. 7 is a bottom view of the powered reciprocal saw shown in FIG. 1.

1 Claim, 7 Drawing Sheets

(56) **References Cited**

U.S. PATENT DOCUMENTS

D471,417 S *	3/2003	Chunn	D8/64
D471,418 S *	3/2003	Chunn	D8/64
D474,088 S *	5/2003	Chunn	D8/64
D480,616 S *	10/2003	Welsh	D8/64
D524,131 S *	7/2006	Chunn	D8/64



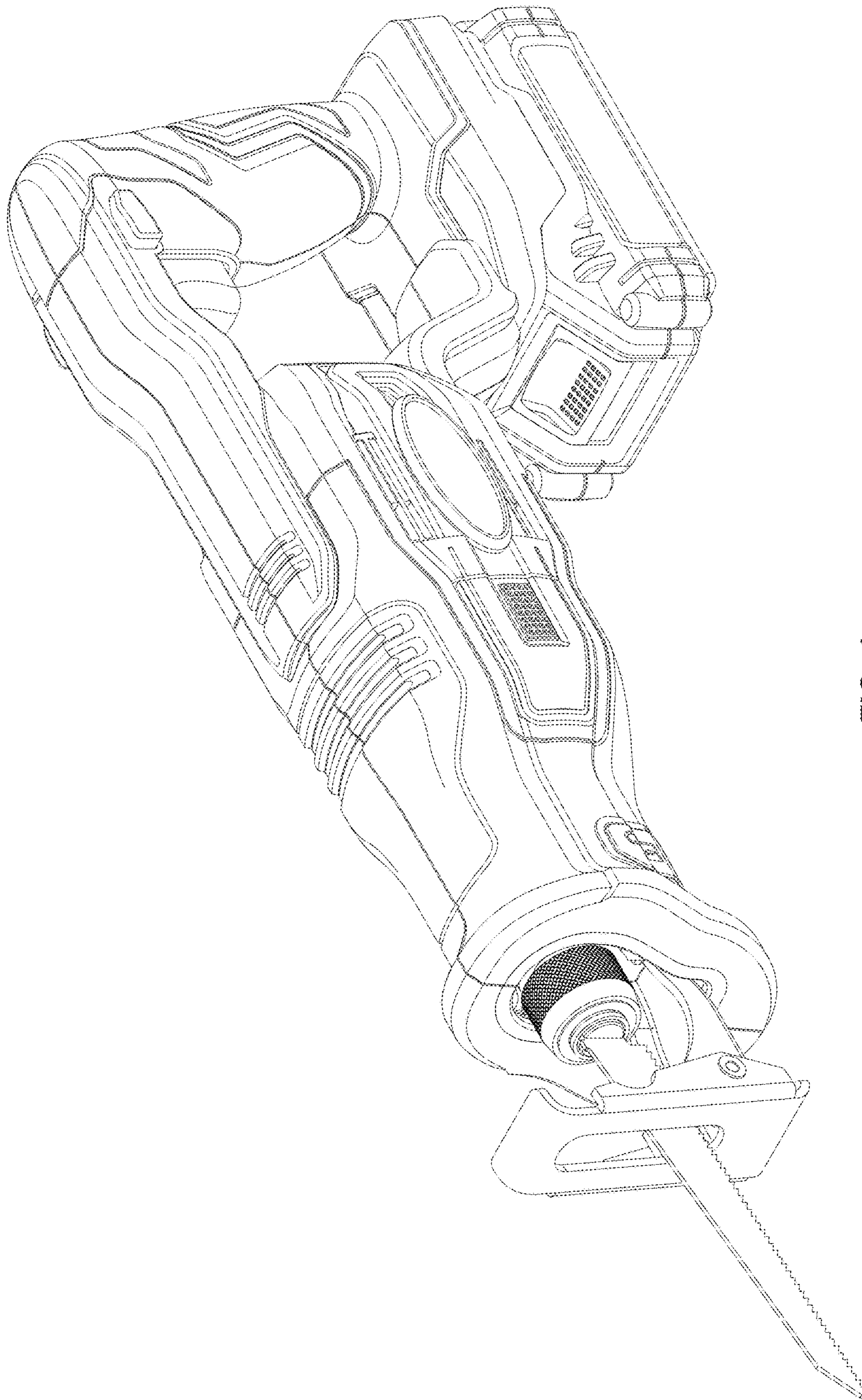


FIG. 1

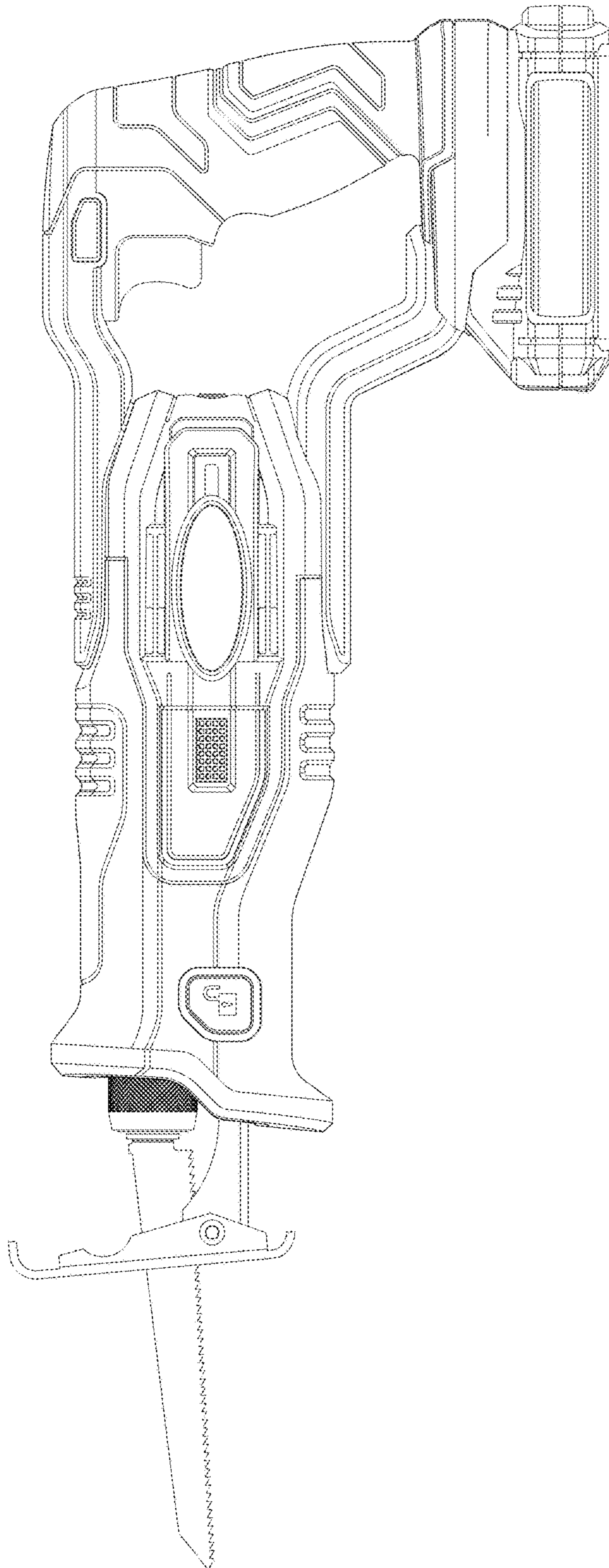


FIG. 2

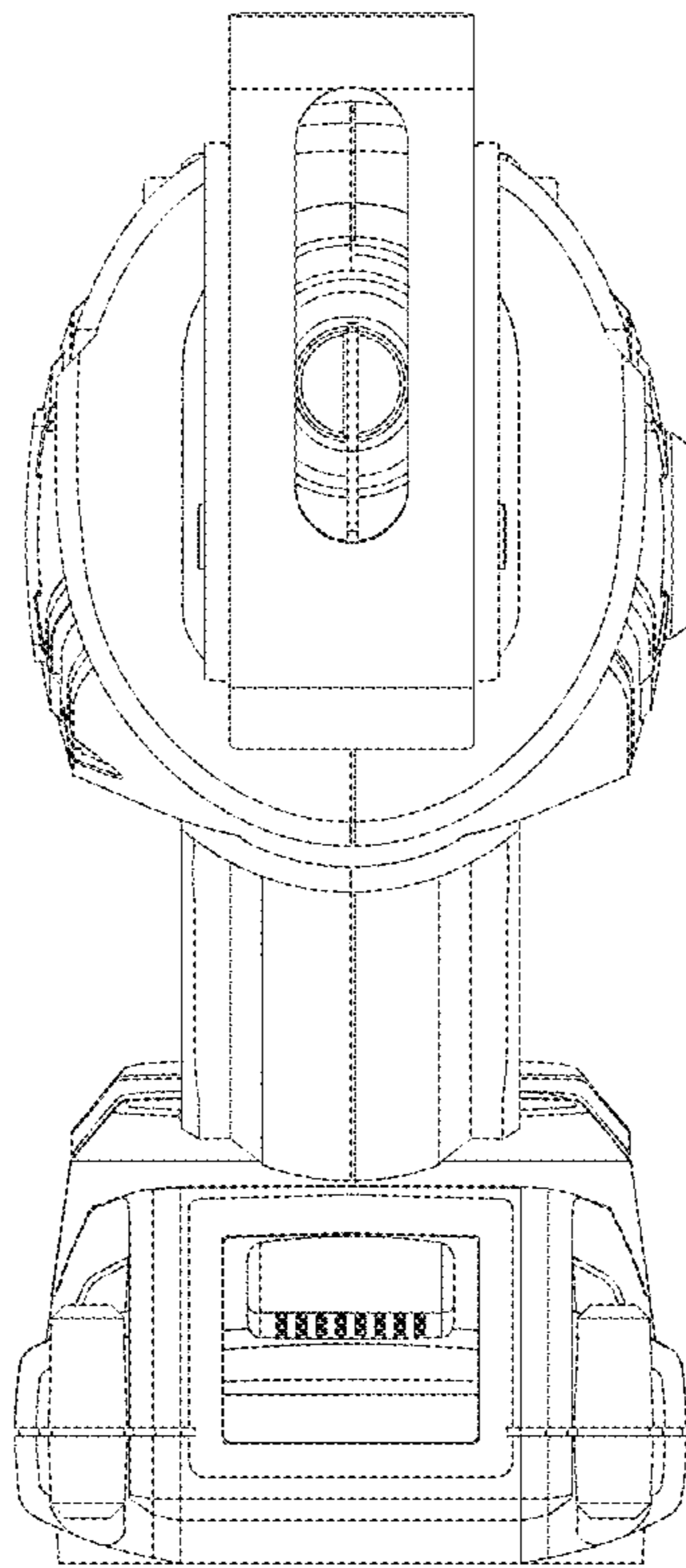


FIG. 3

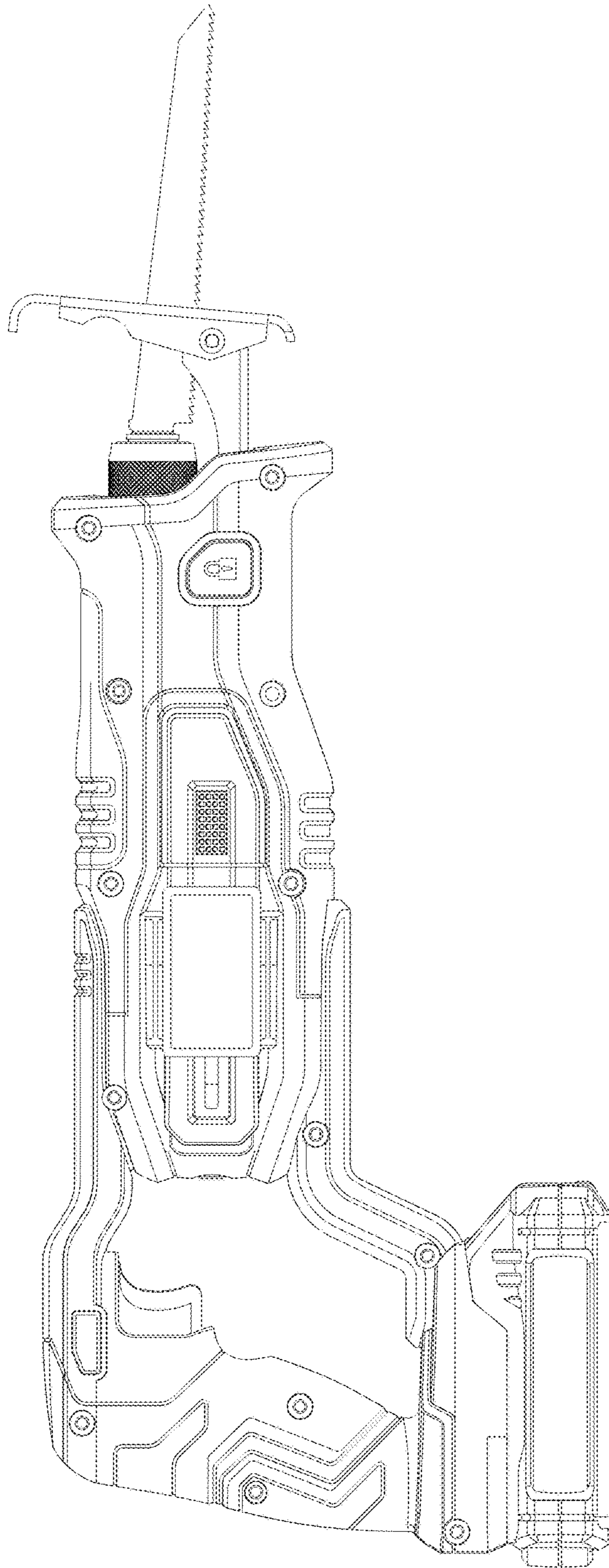


FIG. 4

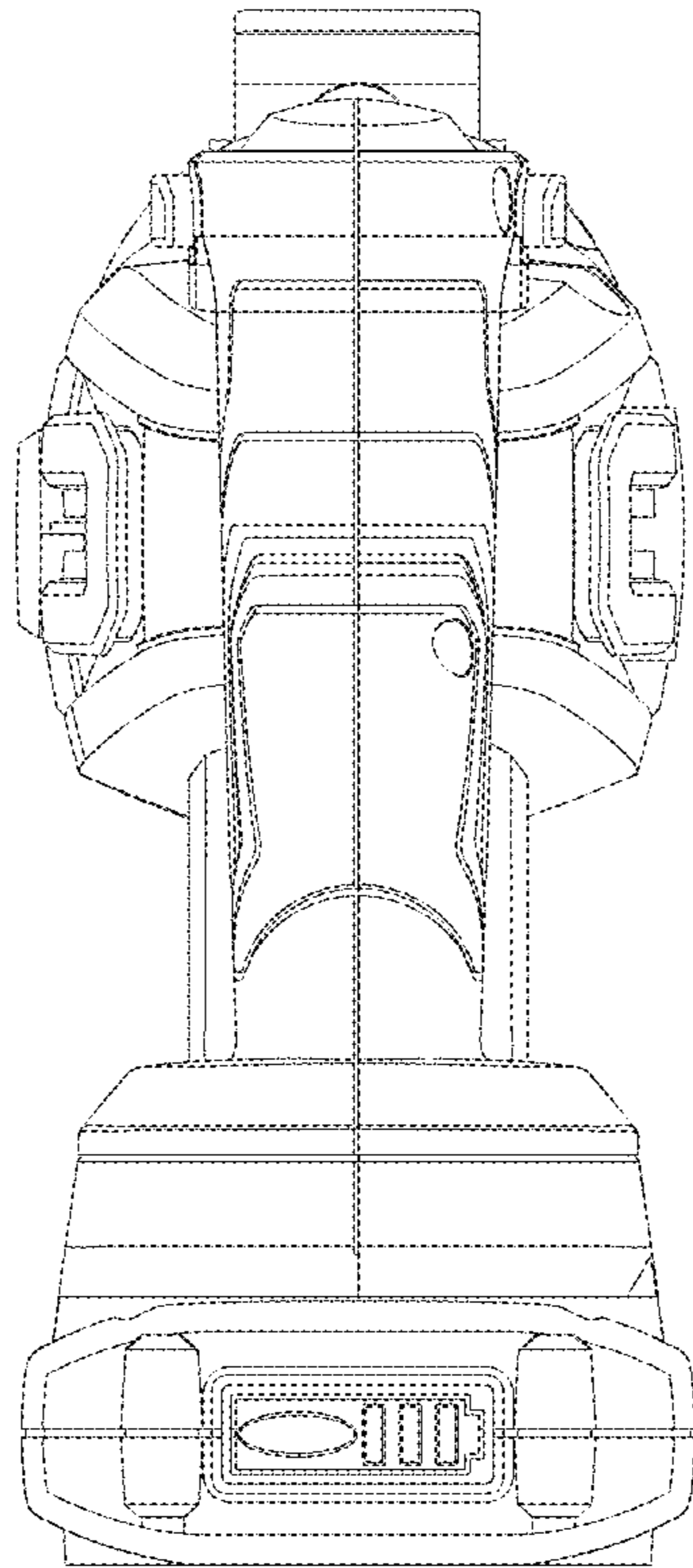


FIG. 5

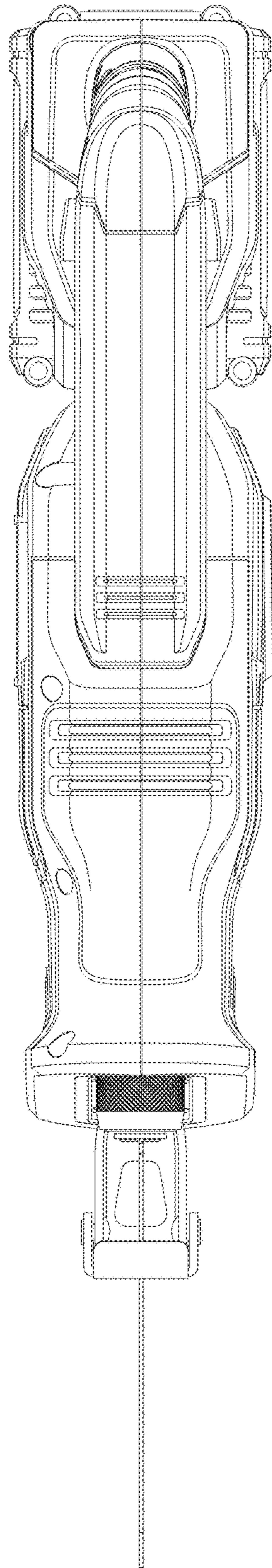


FIG. 6

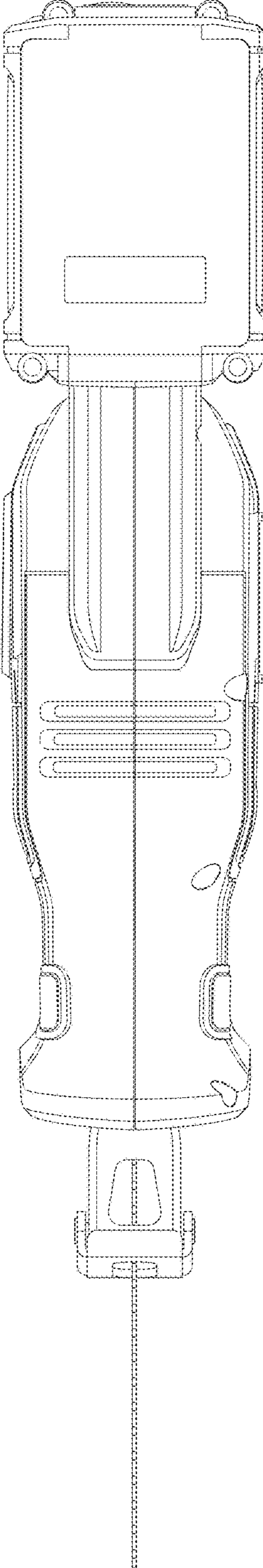


FIG. 7