



US00D790299S

(12) **United States Design Patent** (10) **Patent No.:** **US D790,299 S**
Waldron (45) **Date of Patent:** **** Jun. 27, 2017**

- (54) **POWERED POLISHER TOOL**
- (71) Applicants: **7RDD Limited**, York (GB); **Ningbo Gemay Industry Company Limited**, Ningbo (CN)
- (72) Inventor: **Michael Waldron**, York (GB)
- (73) Assignees: **7RDD Limited**, York (GB); **Ningbo Gemay Industry Company Limited**, Ningbo (CN)
- (**) Term: **15 Years**
- (21) Appl. No.: **29/559,300**
- (22) Filed: **Mar. 25, 2016**
- (51) **LOC (10) Cl.** **08-03**
- (52) **U.S. Cl.**
USPC **D8/62**
- (58) **Field of Classification Search**
USPC D8/69, 68, 67, 66, 64, 61, 70; 83/698.41, 83/747, 166.3, 374, 373, 375, 376, 391, 83/377, 390, 388, 389; 125/13.01; 144/218; D21/532
CPC B24B 23/028; B24B 47/12; B24B 7/186; B25F 5/001; B25F 5/02
See application file for complete search history.

D558,016 S *	12/2007	Aglassinger	D8/62
D564,321 S *	3/2008	Huguet	D8/62
D581,759 S *	12/2008	Aglassinger	D8/62
D606,828 S *	12/2009	Misaki	D8/62
D645,622 S *	9/2011	Wright	D32/19
D646,854 S *	10/2011	Wright	D32/19
D685,240 S *	7/2013	Waldron	D8/62
D685,241 S *	7/2013	Waldron	D8/62
D710,171 S *	8/2014	Aglassinger	D8/62
D767,961 S *	10/2016	Cooksey	D8/62

* cited by examiner

Primary Examiner — Austin Murphy
(74) *Attorney, Agent, or Firm* — McKee, Voorhees & Sease, PLC

(57) **CLAIM**

The ornamental design for a powered polisher tool, as shown and described.

DESCRIPTION

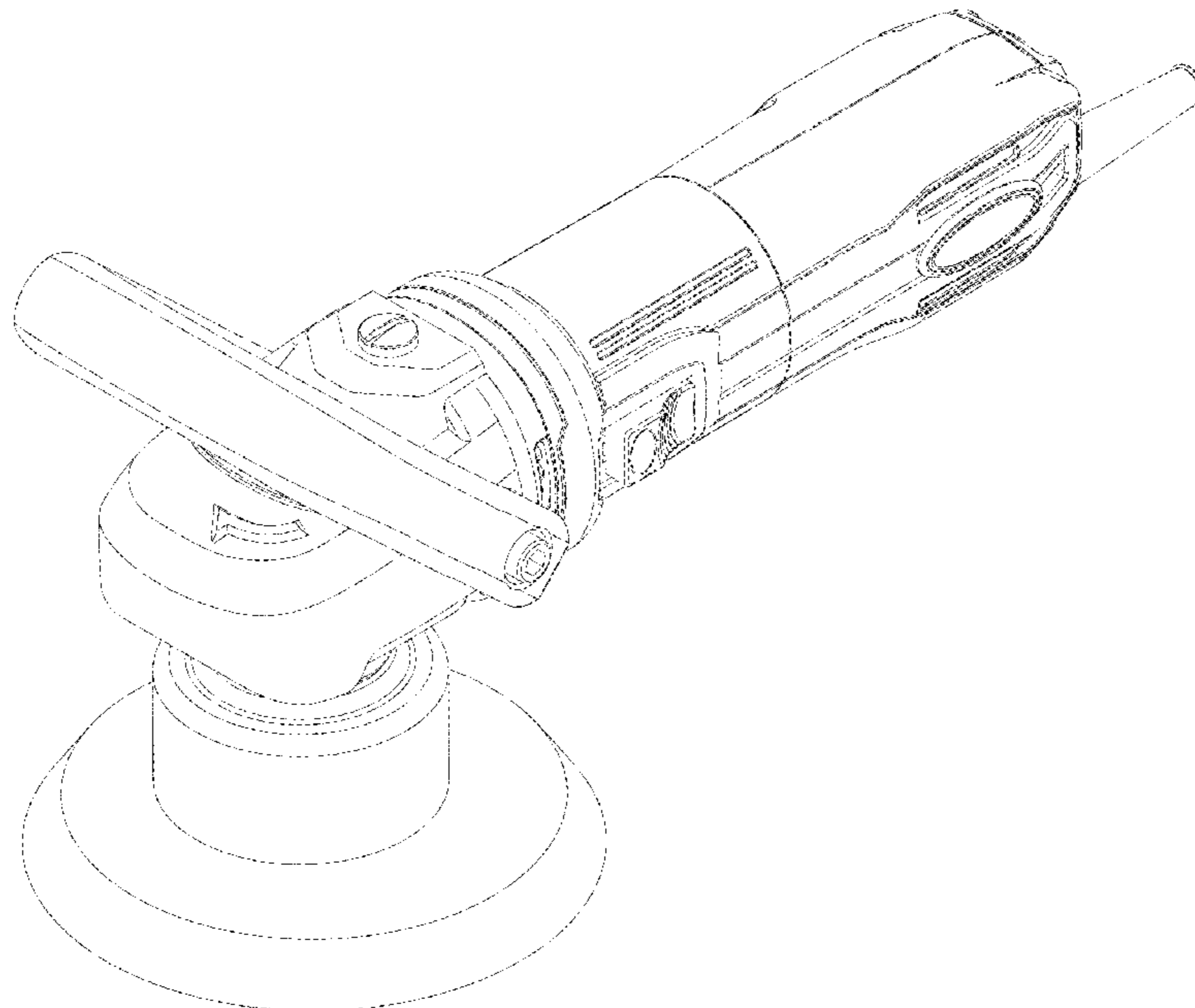
FIG. 1 is a perspective view of a powered polisher tool according to the present invention;
FIG. 2 is a front view of the powered polisher tool shown in FIG. 1;
FIG. 3 is a left side view of the powered polisher tool shown in FIG. 1;
FIG. 4 is a rear view of the powered polisher tool shown in FIG. 1;
FIG. 5 is a right side view of the powered polisher tool shown in FIG. 1;
FIG. 6 is a top view of the powered polisher tool shown in FIG. 1; and,
FIG. 7 is a bottom view of the powered polisher tool shown in FIG. 1.

1 Claim, 7 Drawing Sheets

(56) **References Cited**

U.S. PATENT DOCUMENTS

D522,334 S *	6/2006	Waldron	D8/62
D524,129 S *	7/2006	Waldron	D8/62
D538,490 S *	3/2007	Hong	D32/15
D538,615 S *	3/2007	Hastie	D8/62
D545,156 S *	6/2007	Waldron	D8/62
D557,580 S *	12/2007	Aglassinger	D8/62



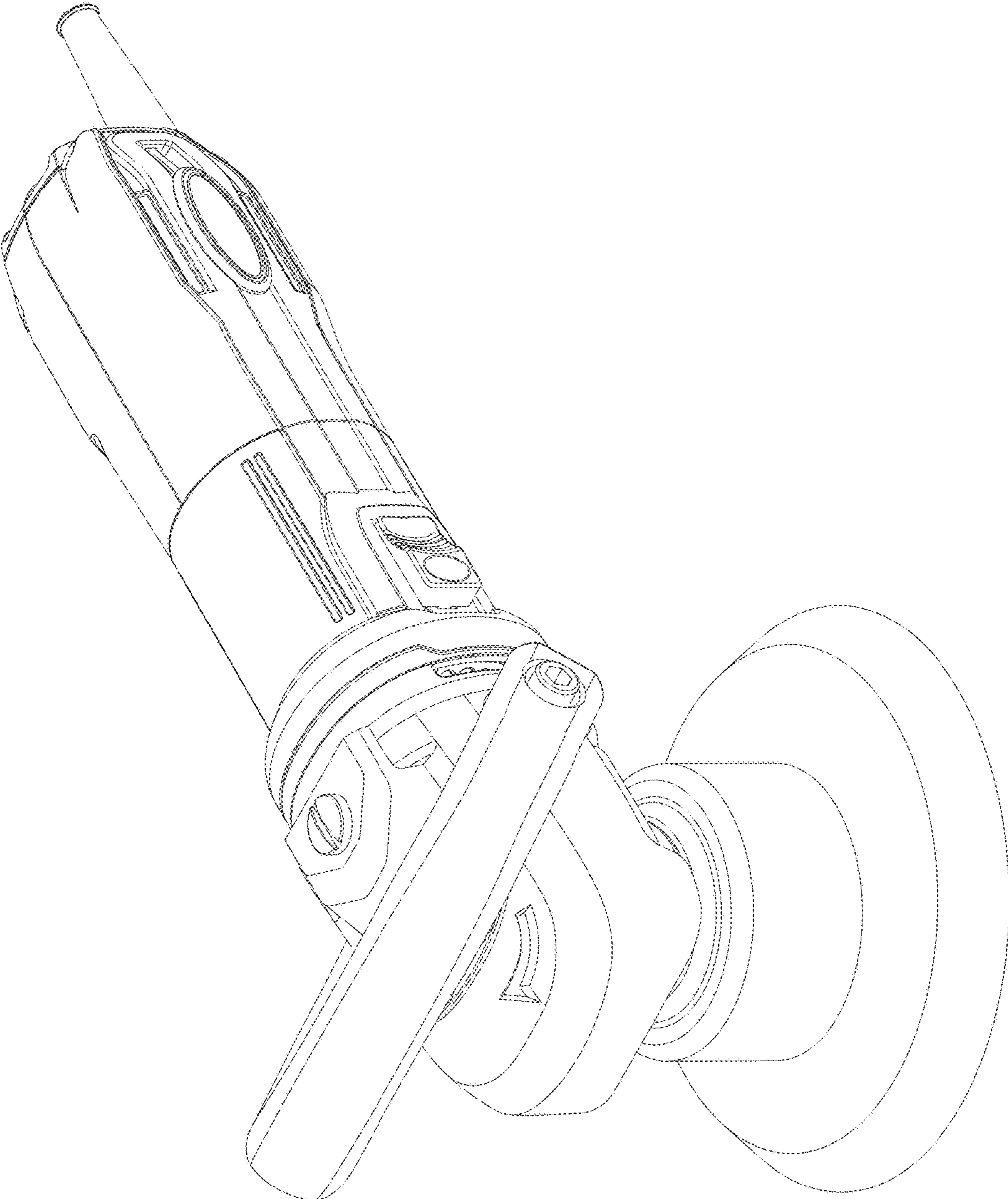


FIG. 1

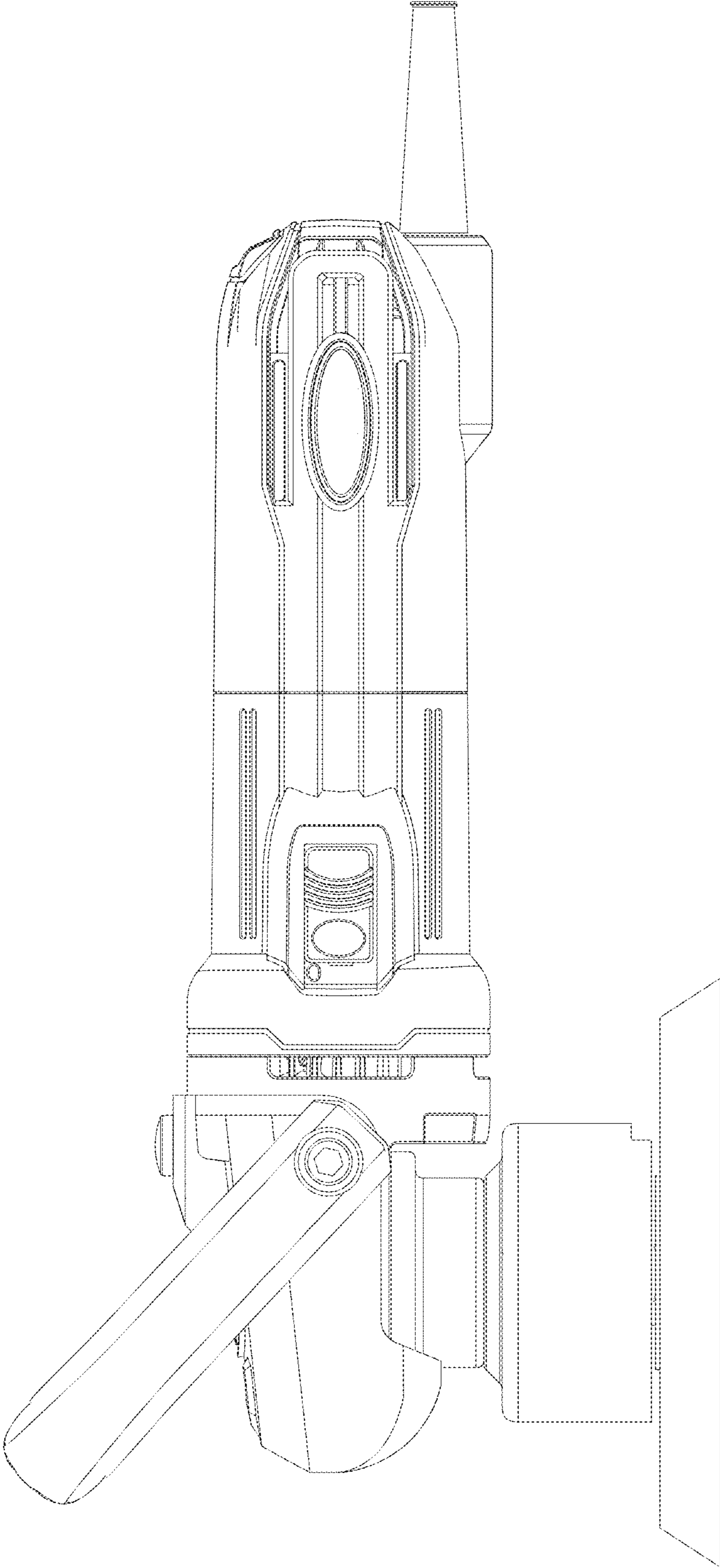


FIG. 2

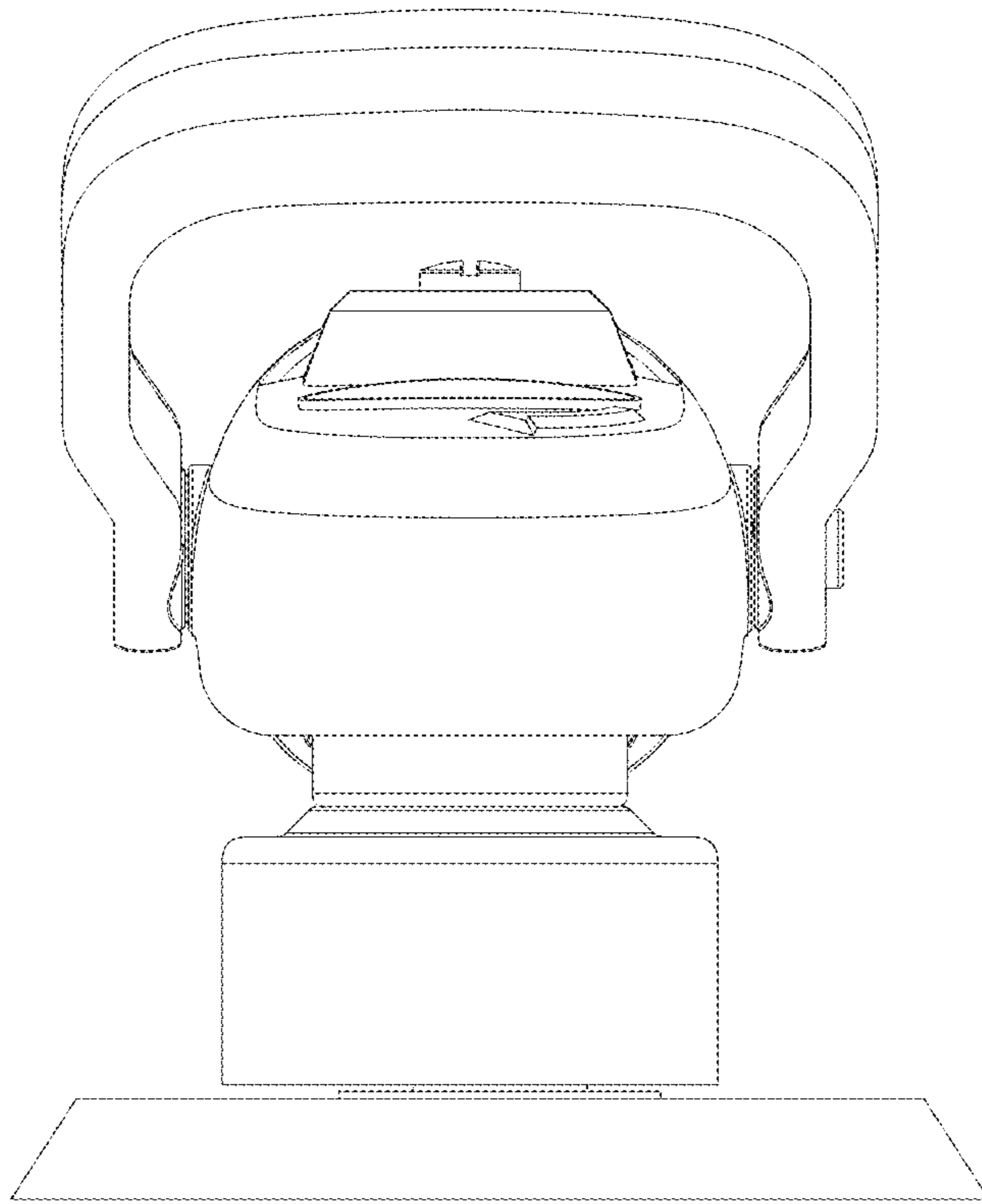


FIG. 3

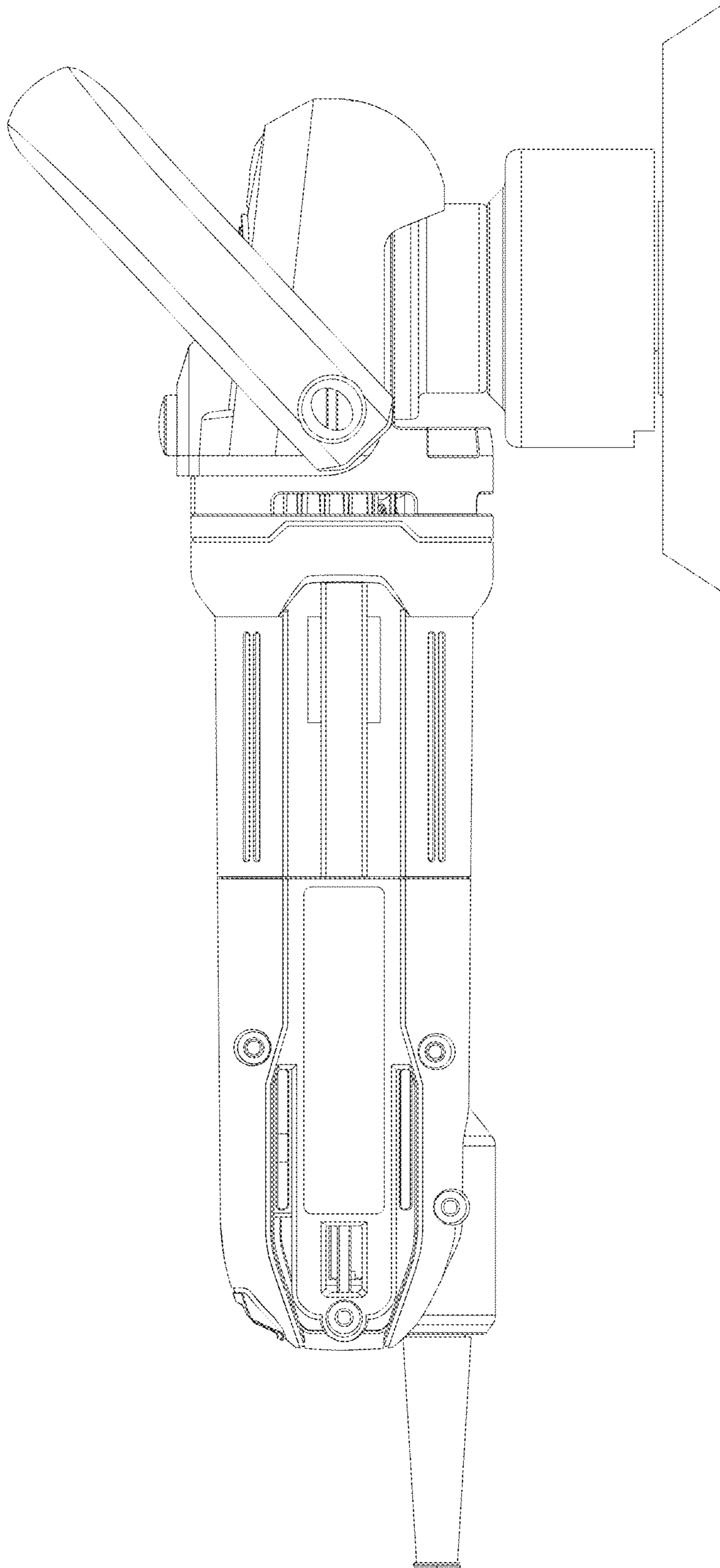


FIG. 4

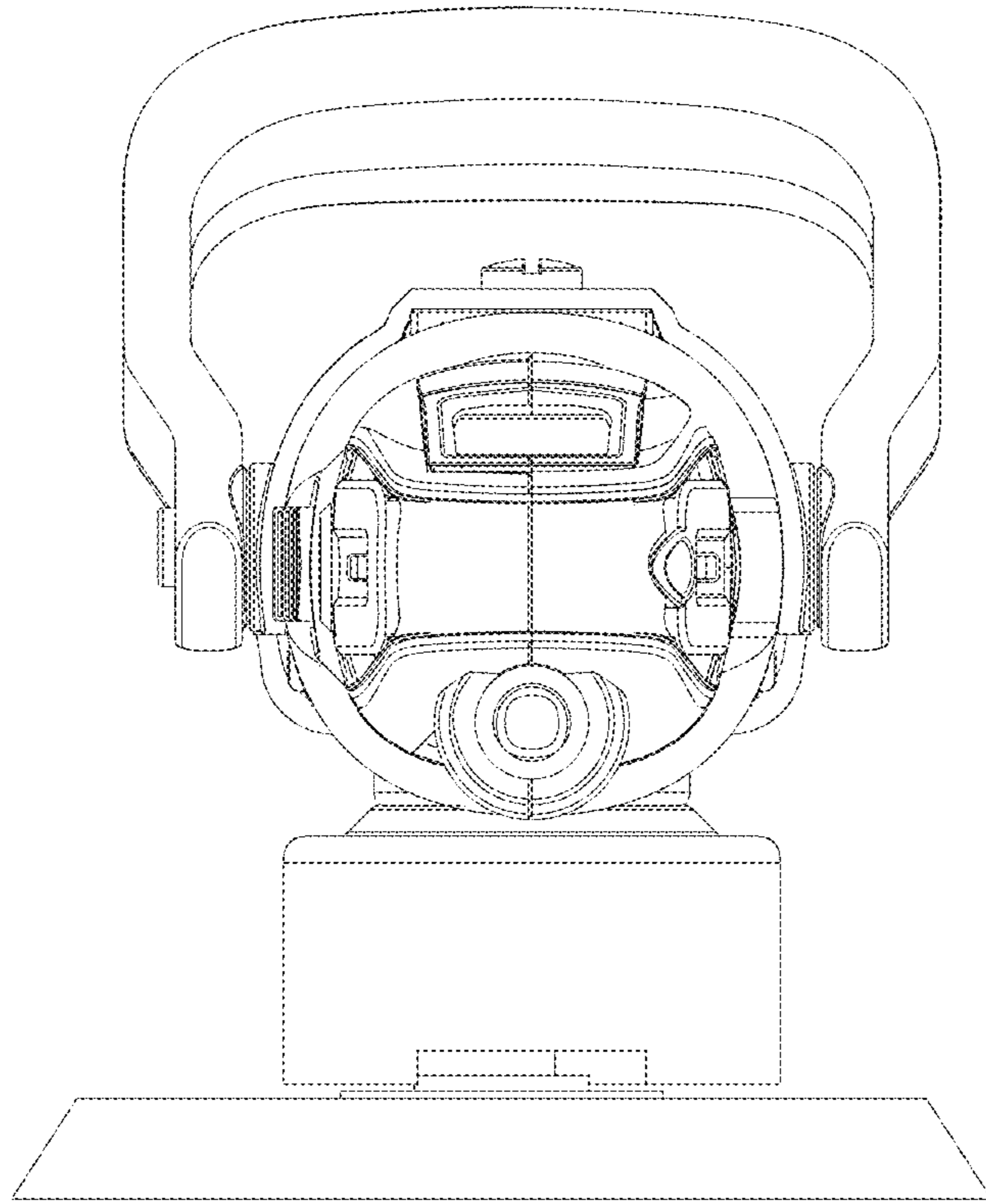


FIG. 5

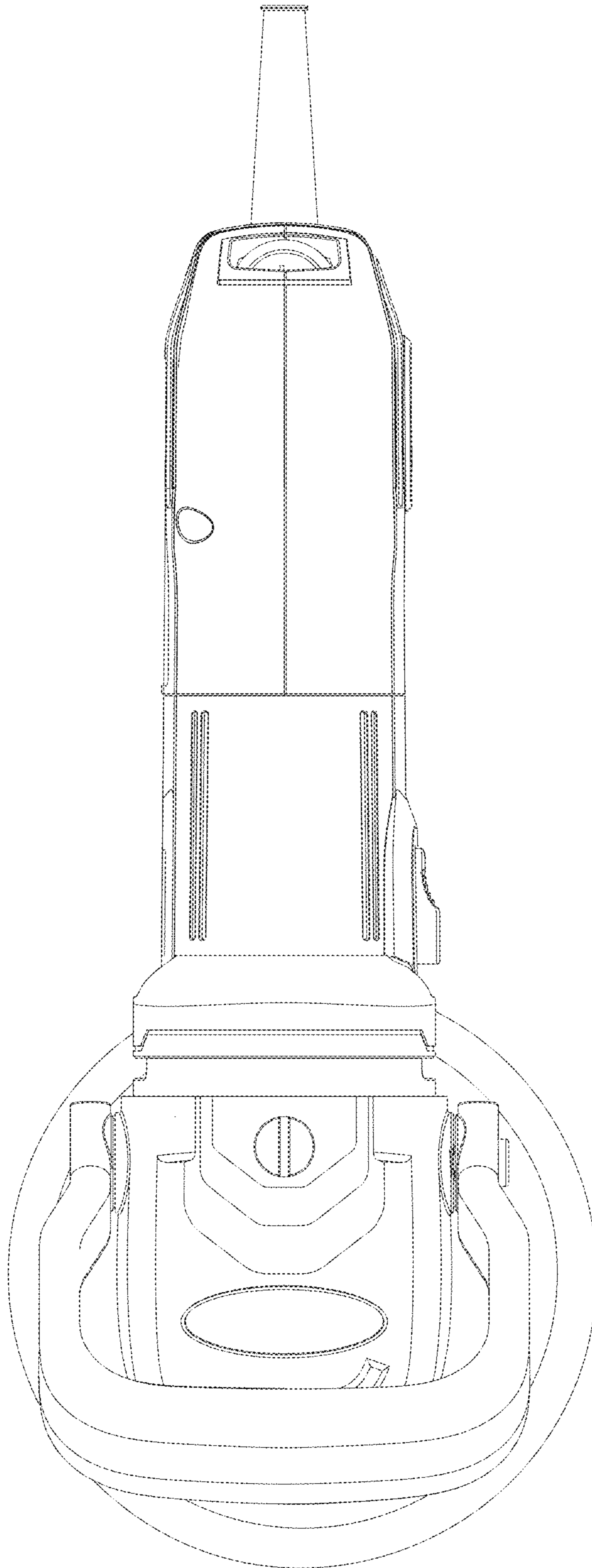


FIG. 6

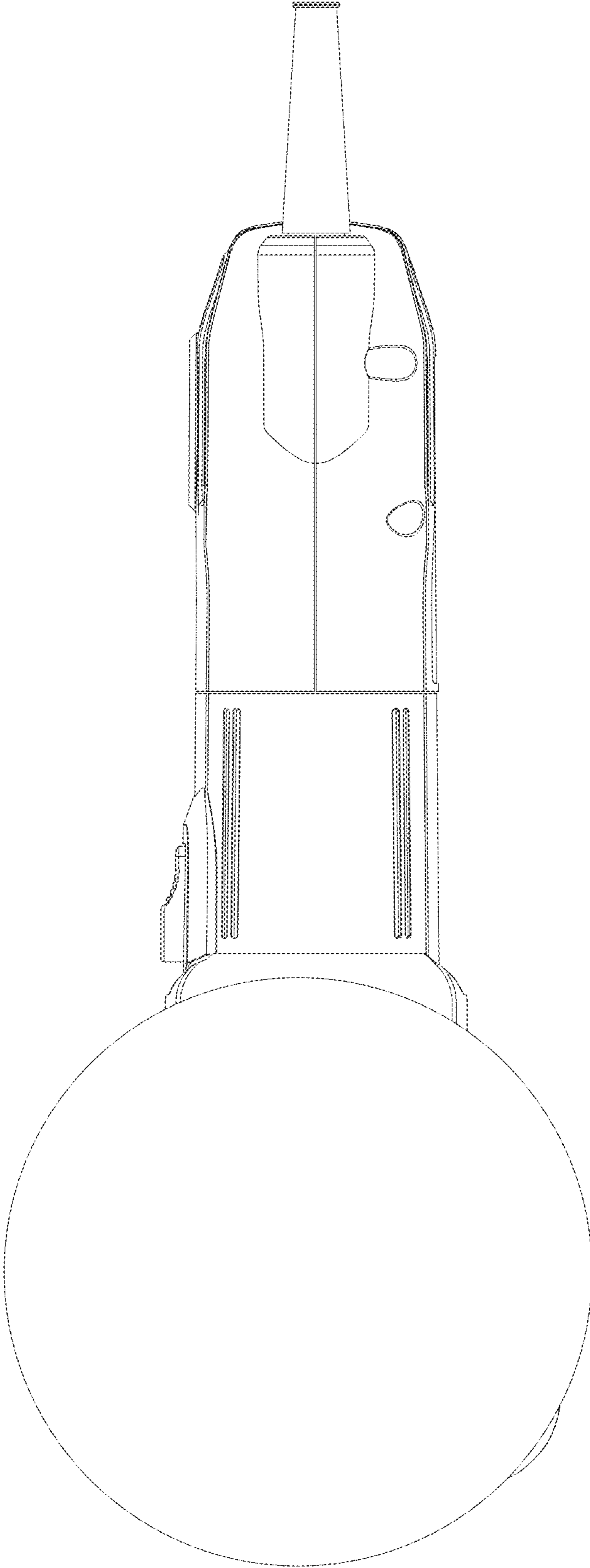


FIG. 7