



US00D790298S

(12) **United States Design Patent** (10) **Patent No.:** **US D790,298 S**
Andrews et al. (45) **Date of Patent:** **** Jun. 27, 2017**

(54) **STAPLER FOR IRRIGATION PIPE AND LANDSCAPE FABRIC**

5,996,853 A 12/1999 Julius
D597,810 S * 8/2009 Lo D18/15
D600,988 S * 9/2009 Davies D8/49

(71) Applicants: **Carole Andrews**, Corona, CA (US);
Ervin W. Schoeppe, Corona, CA (US)

(Continued)
Primary Examiner — Austin Murphy

(72) Inventors: **Carole Andrews**, Corona, CA (US);
Ervin W. Schoeppe, Corona, CA (US)

(74) *Attorney, Agent, or Firm* — Kirk A. Buhler; Buhler & Associates

(**) Term: **15 Years**

(57) **CLAIM**

(21) Appl. No.: **29/546,018**

The ornamental design for a stapler for irrigation pipe and landscape fabric, as shown and described.

(22) Filed: **Nov. 18, 2015**

(51) **LOC (10) Cl.** **19-02**

DESCRIPTION

(52) **U.S. Cl.**
USPC **D8/49**

(58) **Field of Classification Search**
USPC D8/49, 394, 395, 396, 50; D19/65, 72,
D19/99, 100; 24/67 R, 67.1, 67.3, 67.5,
24/67.7, 67.9, 67.11, 67 CF, 67 P, 570,
24/DIG. 8, DIG. 9; 30/358; 281/44
CPC B25C 5/0242; B25C 5/0285; B25C 5/11;
B27F 5/17; B26F 1/36
See application file for complete search history.

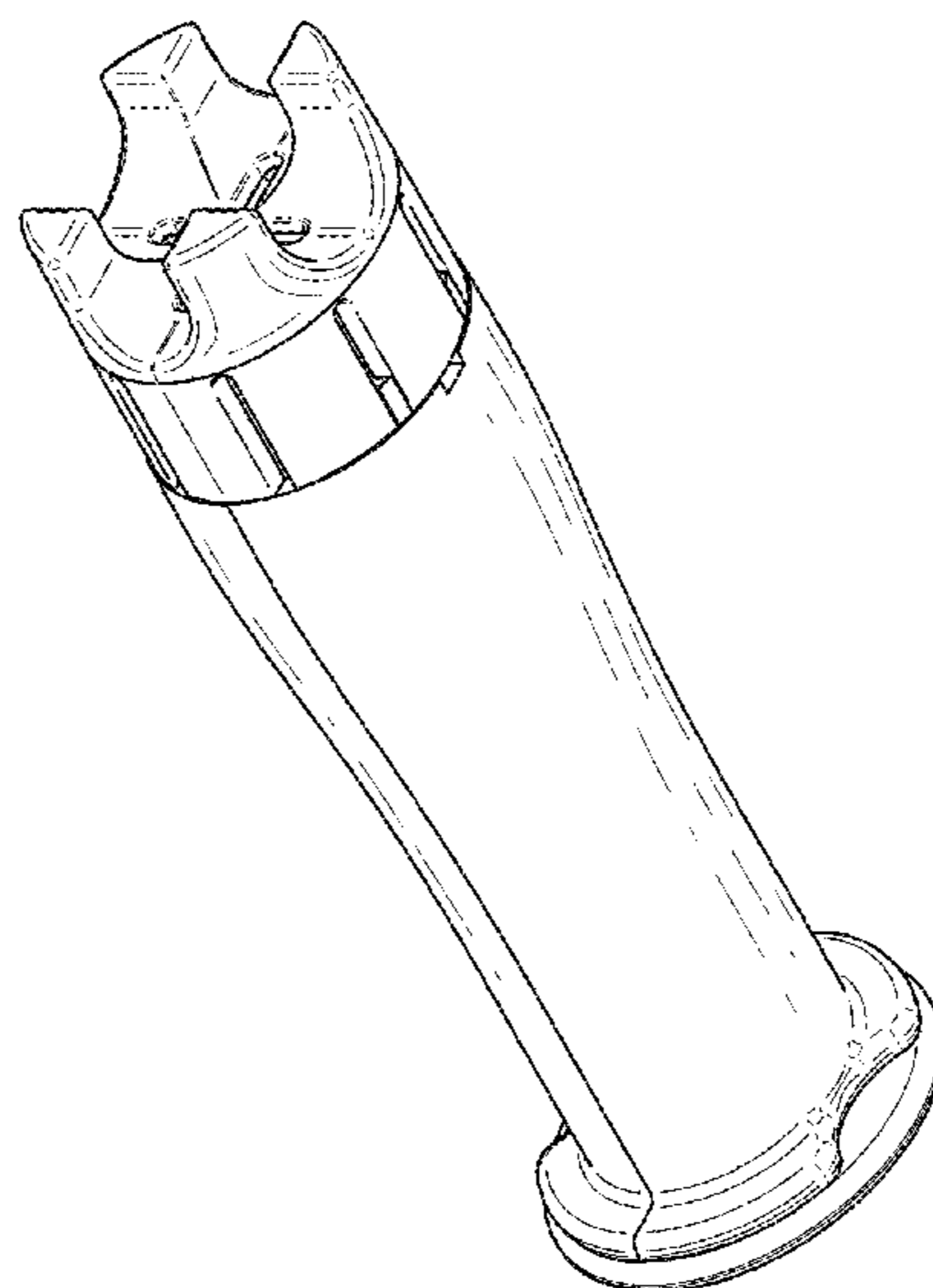
FIG. 1 is a top perspective view for a stapler for irrigation pipe and landscape fabric showing my new design;
FIG. 2 is a front side view thereof;
FIG. 3 is a back side view thereof;
FIG. 4 is a top side view, the bottom side view being a mirror image thereof;
FIG. 5 is a left side view, the right side view being a mirror image thereof;
FIG. 6 is a sectional view taken along lines 6-6 from FIG. 2 thereof;
FIG. 7 is a sectional view taken along lines 7-7 from FIG. 2 thereof;
FIG. 8 is a sectional view taken along lines 8-8 from FIG. 2 thereof;
FIG. 9 is a sectional view taken along lines 9-9 from FIG. 2 thereof;
FIG. 10 is a rear perspective view with the ram withdrawn from the housing shown in an environment of use thereof; and,
FIG. 11 is rear perspective exploded view.
The broken lines in FIG. 10 depict environmental subject matter of irrigation pipe and an irrigation pipe staple for the convenience of illustration and form no part of the claimed design.

(56) **References Cited**

U.S. PATENT DOCUMENTS

2,513,842 A * 7/1950 Cann B23D 21/08
30/102
2,534,858 A * 12/1950 Ellis E21B 29/005
166/55.7
4,347,634 A * 9/1982 Sawan B23D 45/16
30/102
D272,271 S * 1/1984 Green D24/145
4,438,769 A * 3/1984 Pratt A61B 17/0642
227/147
D295,014 S * 4/1988 Ebihara D8/49
D307,797 S 5/1990 Spreckelmeier et al.
5,251,801 A 10/1993 Ruckdeschel
5,372,260 A * 12/1994 Jager B04B 1/20
209/157

1 Claim, 7 Drawing Sheets



(56)

References Cited

U.S. PATENT DOCUMENTS

D606,825 S 12/2009 Marks et al.
7,753,249 B2 7/2010 Sonnenschein et al.
9,451,957 B2* 9/2016 Fox A61B 17/0642

* cited by examiner

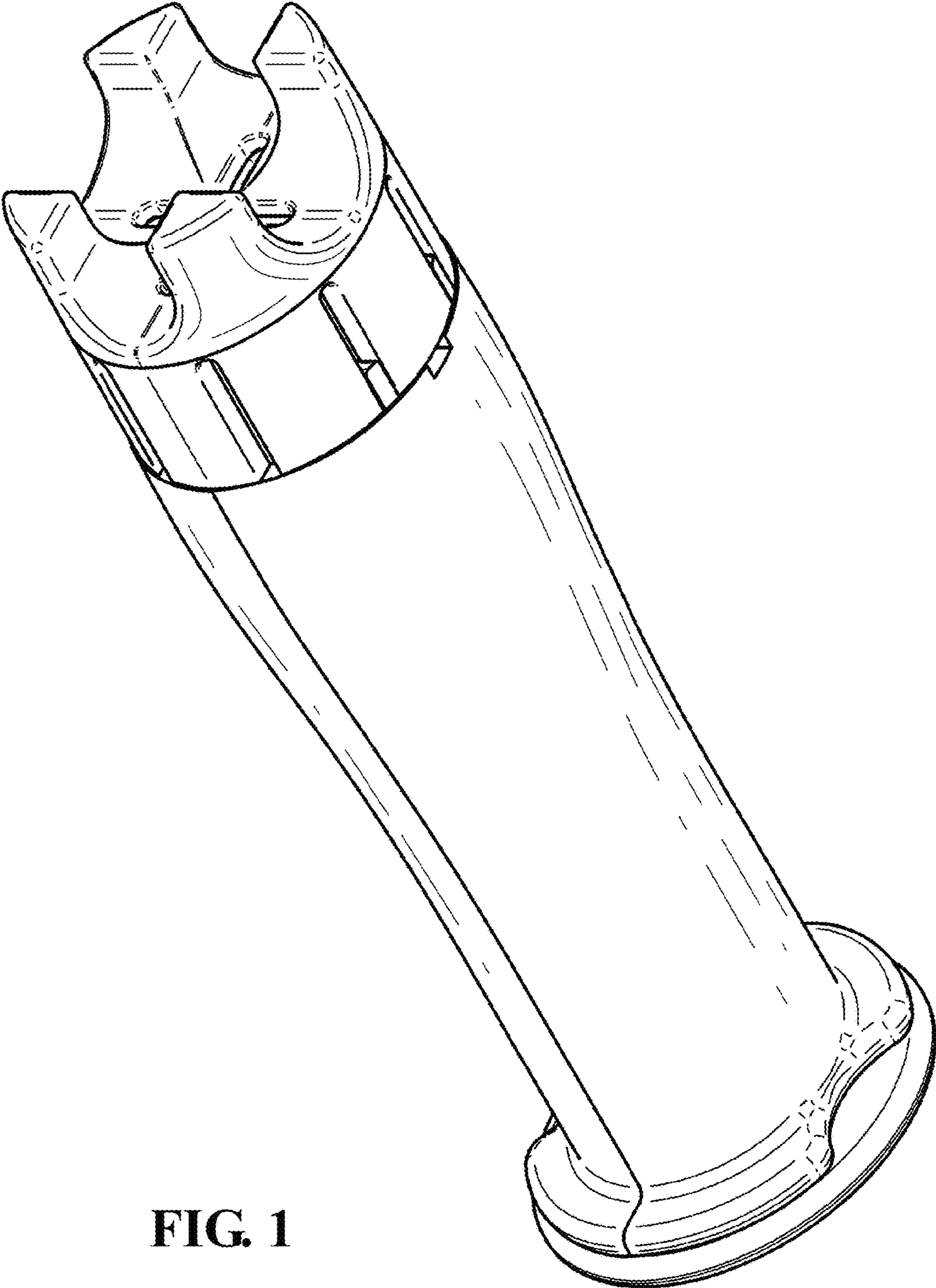
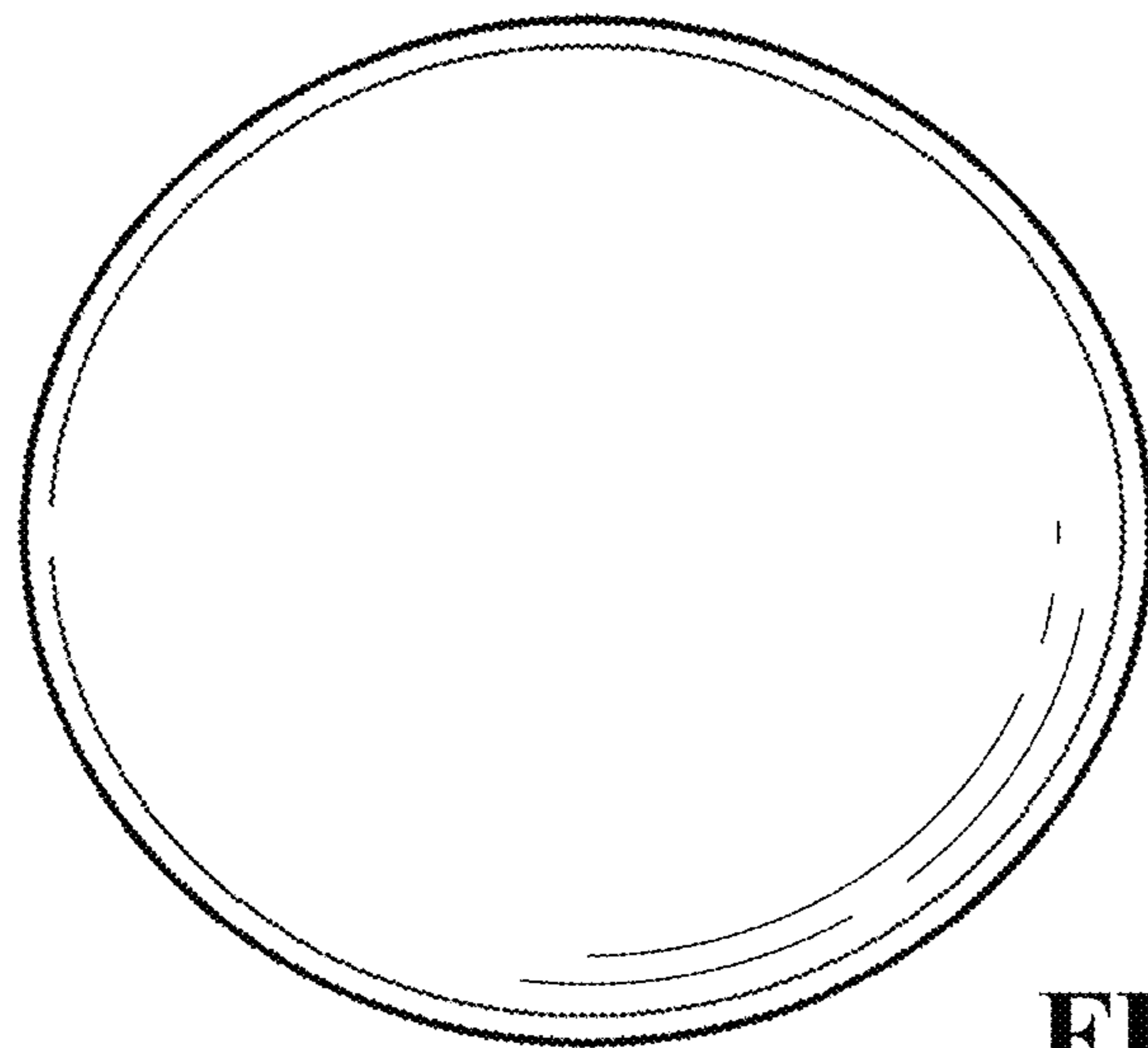
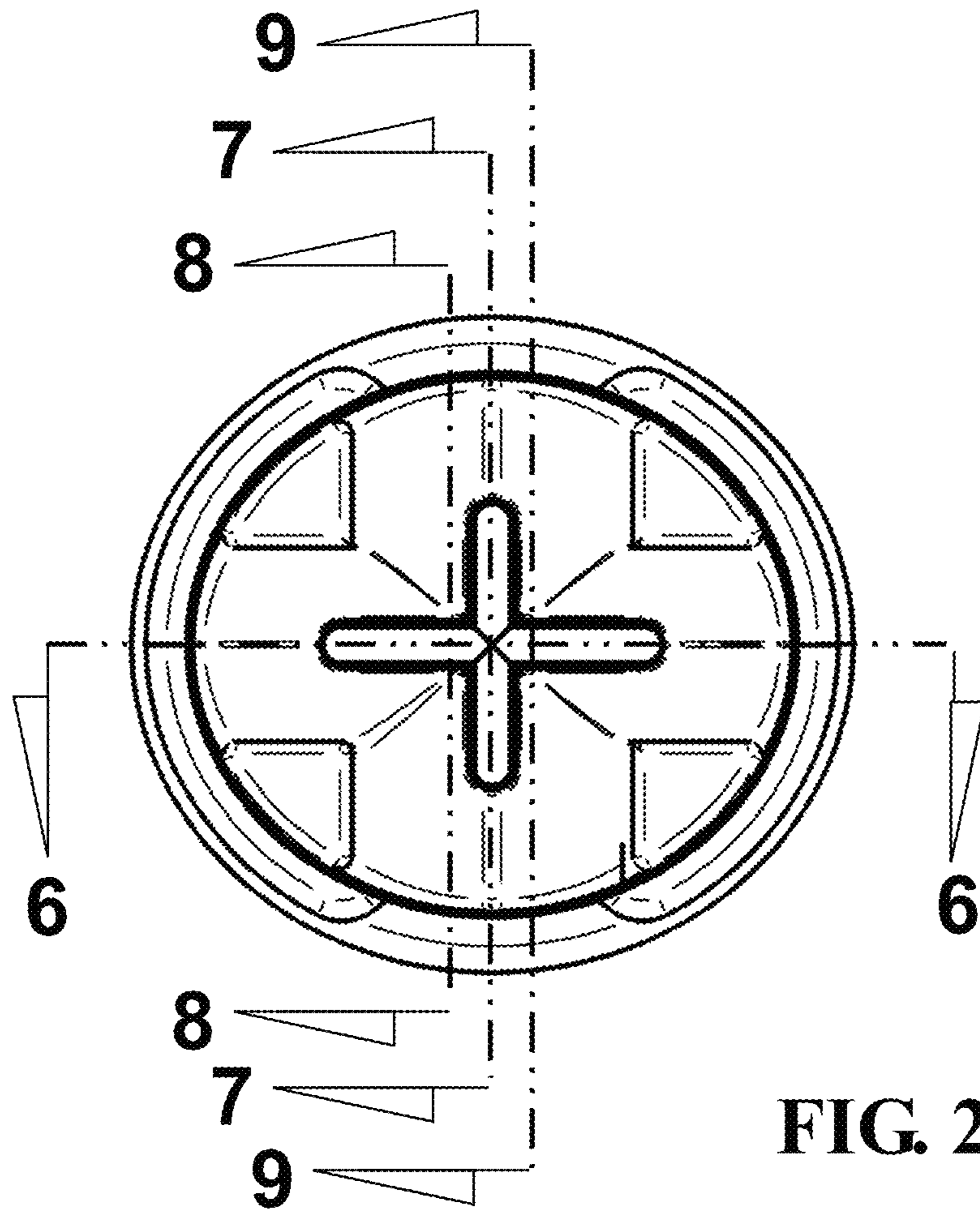


FIG. 1



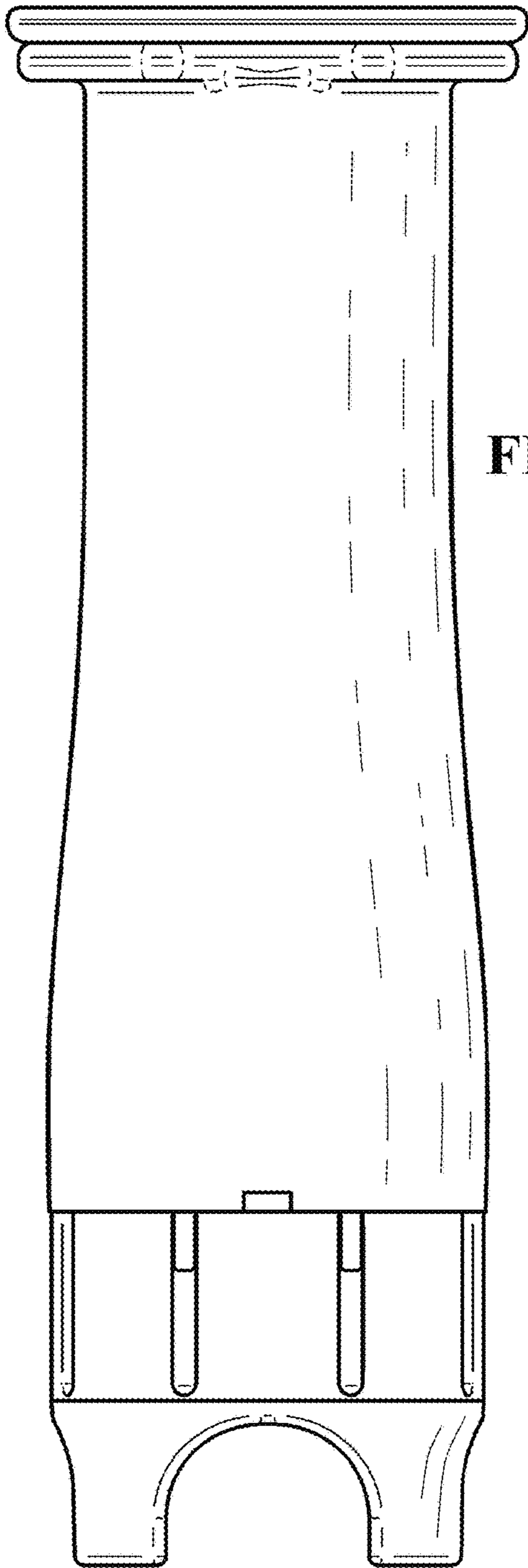


FIG. 4

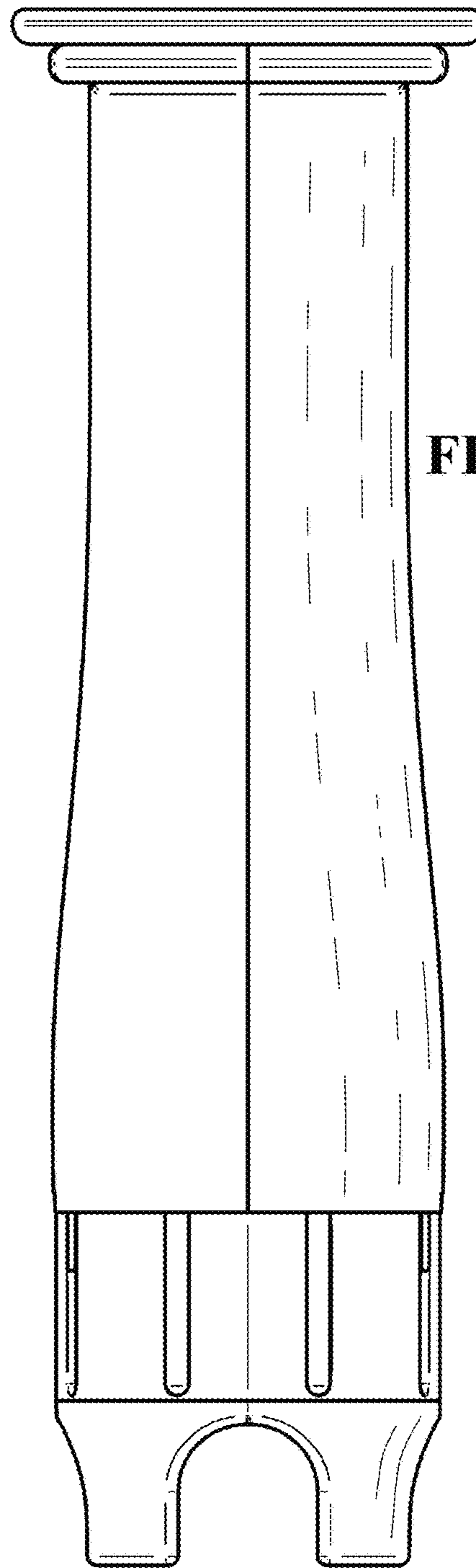


FIG. 5

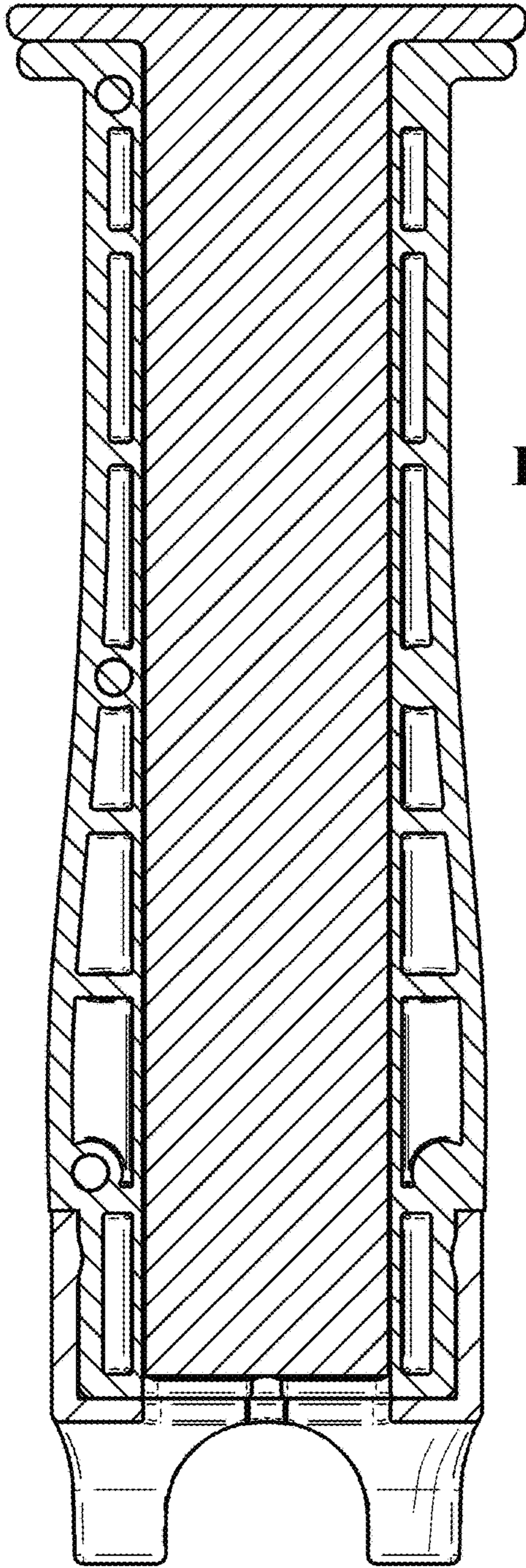


FIG. 6

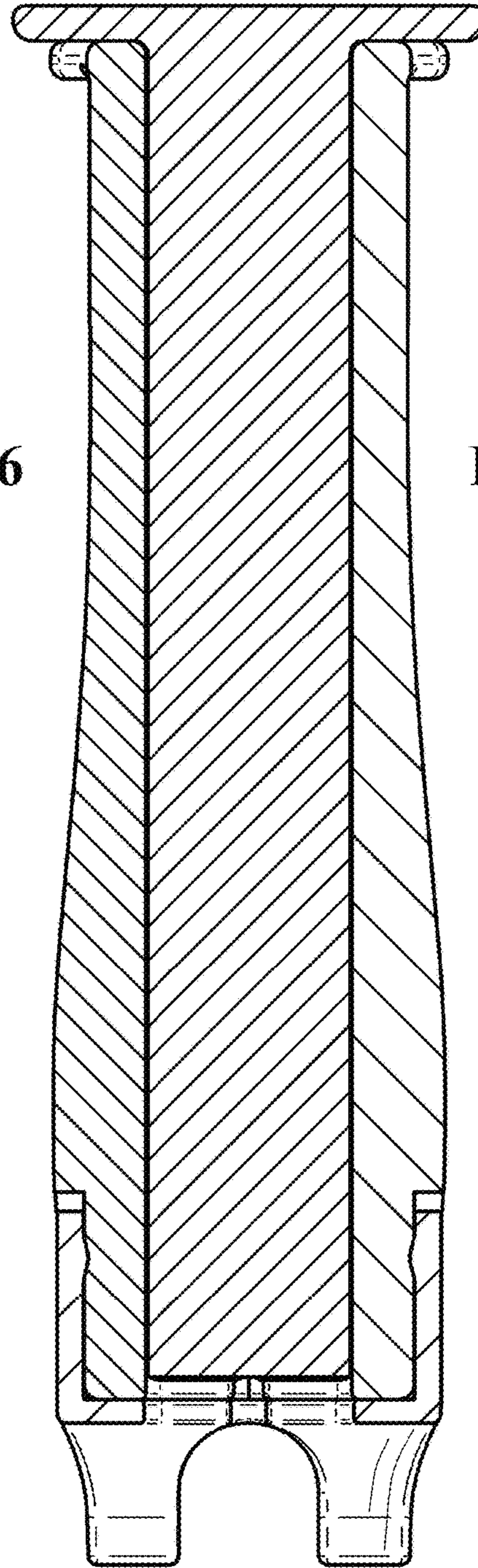


FIG. 7

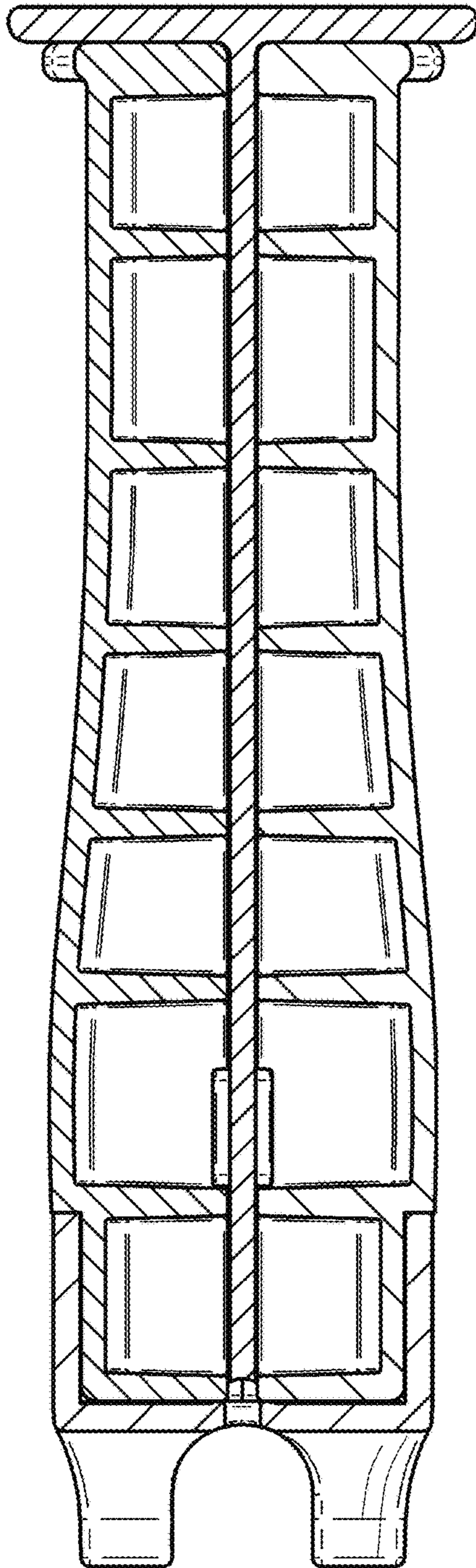


FIG. 8

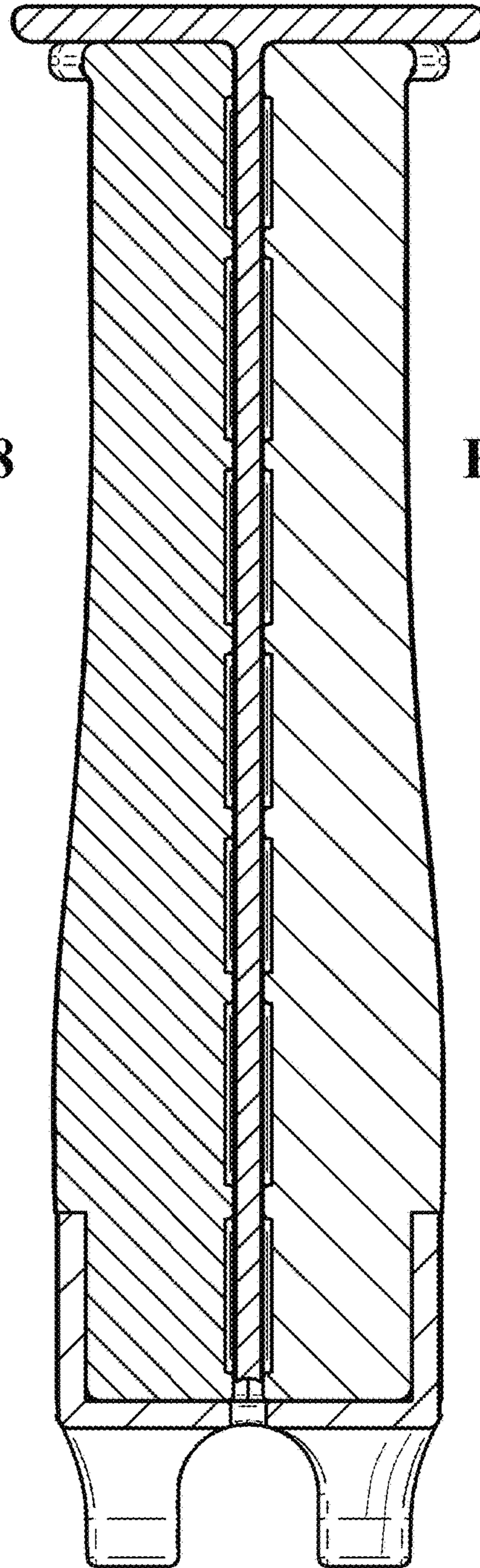


FIG. 9

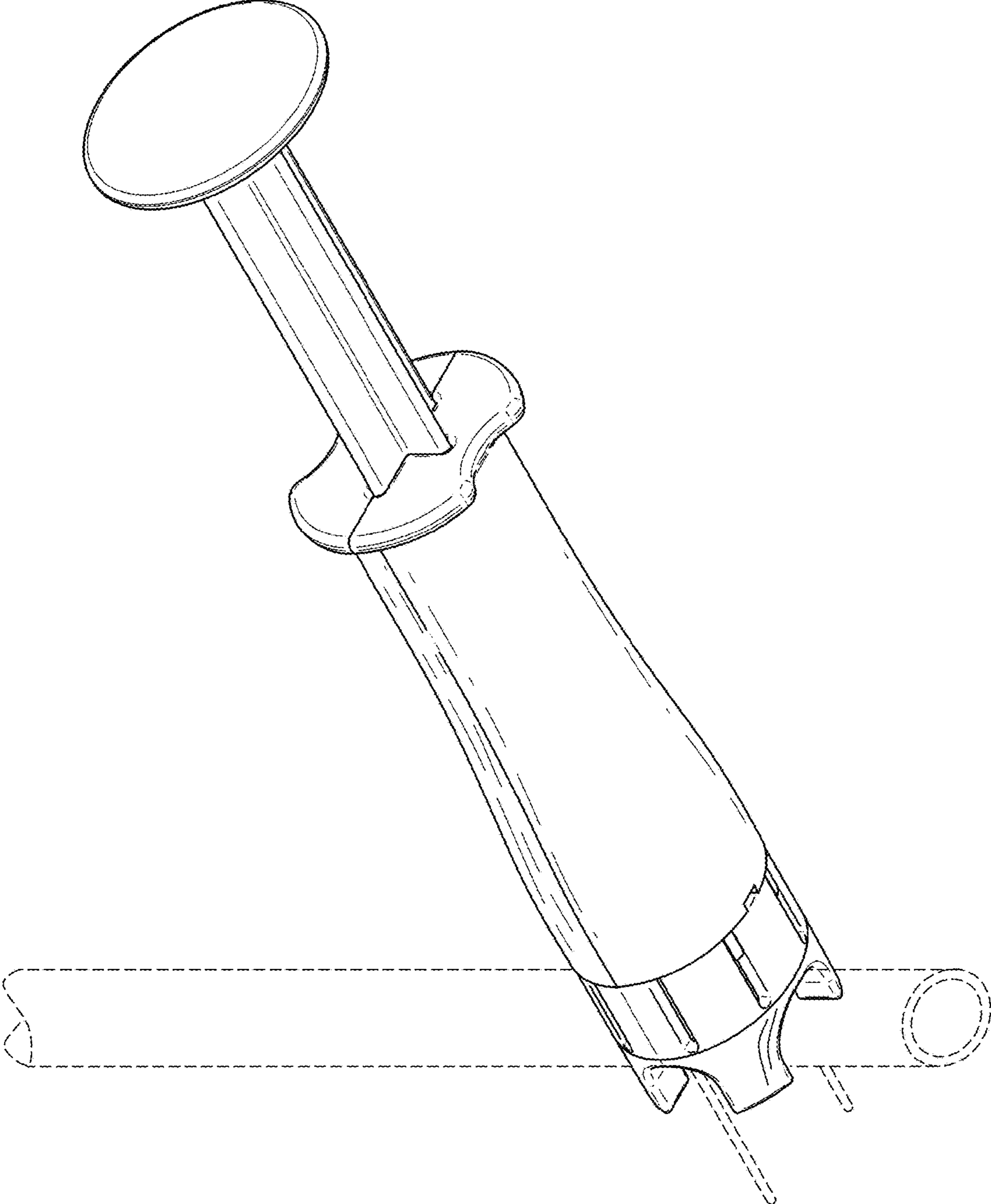


FIG. 10

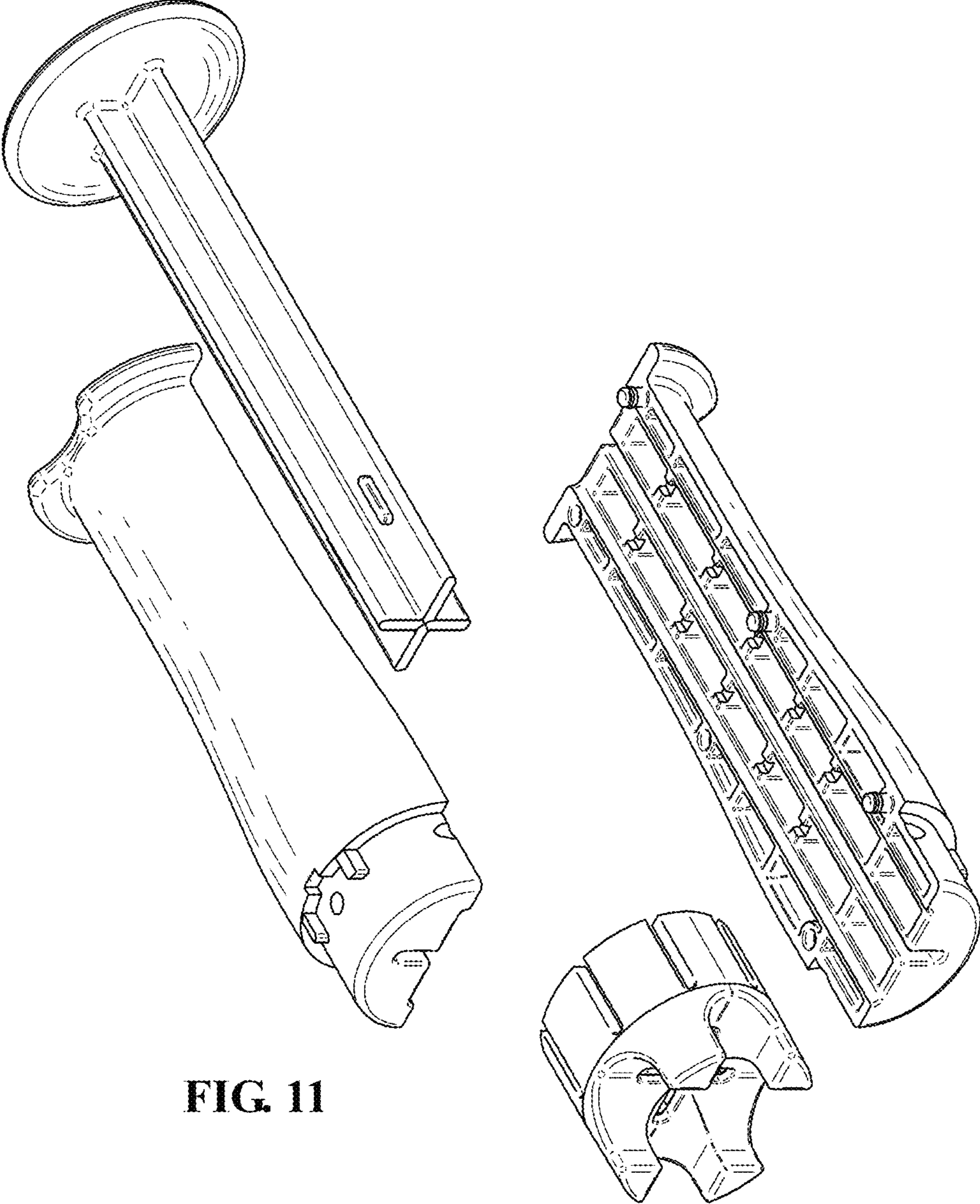


FIG. 11