



US00D790297S

(12) **United States Design Patent**
Puusaag

(10) **Patent No.:** **US D790,297 S**
(45) **Date of Patent:** **** Jun. 27, 2017**

- (54) **SPATULA HAND TOOL**
- (71) Applicant: **KRIMELTE OÜ**, Tallinn (EE)
- (72) Inventor: **Jaan Puusaag**, Tallinn (EE)
- (**) Term: **15 Years**
- (21) Appl. No.: **35/500,523**
- (22) Filed: **Dec. 21, 2015**
- (80) **Hague Agreement Data**
 Int. Filing Date: **Dec. 21, 2015**
 Int. Reg. No.: **DM/088954**
 Int. Reg. Date: **Dec. 21, 2015**
 Int. Reg. Pub. Date: **Jan. 29, 2016**
- (51) **LOC (10) Cl.** **08-05**
- (52) **U.S. Cl.**
 USPC **D8/45**
- (58) **Field of Classification Search**
 USPC D7/688; D8/45; D9/447, 723;
 D23/213-224; D24/112, 113; D32/32,
 D32/33
 CPC E04F 21/02; E04F 21/023; E04F 21/026;
 E04F 21/06; E04F 21/08; E04F 21/085;
 E04F 21/1655; E04F 21/161; E04F
 21/162; E04F 21/163; E04F 21/165; E04F
 21/1652; E04F 21/10; E04F 21/12; B29C
 44/367; B05C 17/00516
 See application file for complete search history.

- (56) **References Cited**
 U.S. PATENT DOCUMENTS
 D152,843 S * 2/1949 Wagner D32/50
 2,862,764 A * 12/1958 Frese, Jr. A01G 25/00
 239/193
 D187,013 S * 1/1960 Beinert D23/221
 D188,365 S * 7/1960 Beinert D23/221
 D195,539 S * 6/1963 Williams D23/213
 D226,652 S * 4/1973 Kenney D9/447
 D226,945 S * 5/1973 Burkhardt D9/447

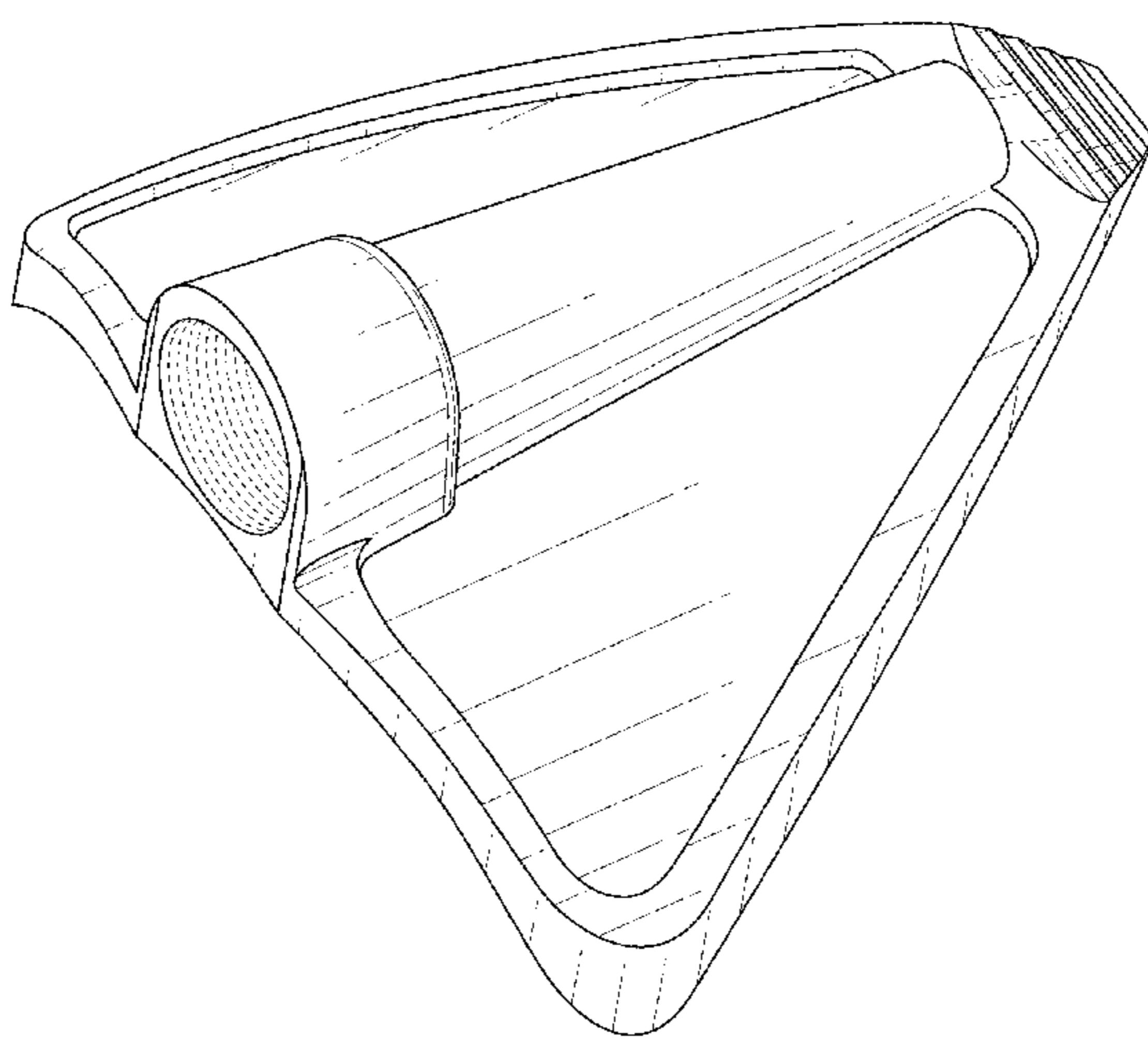
- D258,382 S * 2/1981 Addison D23/214
 - D271,791 S * 12/1983 Healy D23/214
 - 4,638,527 A * 1/1987 Fleischhauer A47L 9/06
15/371
 - D291,780 S * 9/1987 Guttormson D9/447
 - D305,736 S * 1/1990 Berg D9/447
 - 5,882,133 A * 3/1999 Chao B27G 11/005
401/193
 - D412,556 S * 8/1999 Hsin-Fa D23/214
 - D449,987 S * 11/2001 Owens D9/436
 - 6,430,773 B1 * 8/2002 Buron A47L 9/02
15/374
 - 6,450,723 B1 * 9/2002 Lithgow B05C 17/00516
222/566
 - D540,498 S * 4/2007 Tobias D32/17
 - D552,812 S * 10/2007 Dotterman D32/40
 - D553,317 S * 10/2007 Dotterman D32/40
 - D698,006 S * 1/2014 Yamodo D23/213
 - 2010/0278958 A1 * 11/2010 Chamberlain B05C 17/00516
425/458
 - 2013/0279967 A1 * 10/2013 Otto B05C 17/00516
401/265
 - 2016/0221026 A1 * 8/2016 Despins E04F 21/165
- * cited by examiner

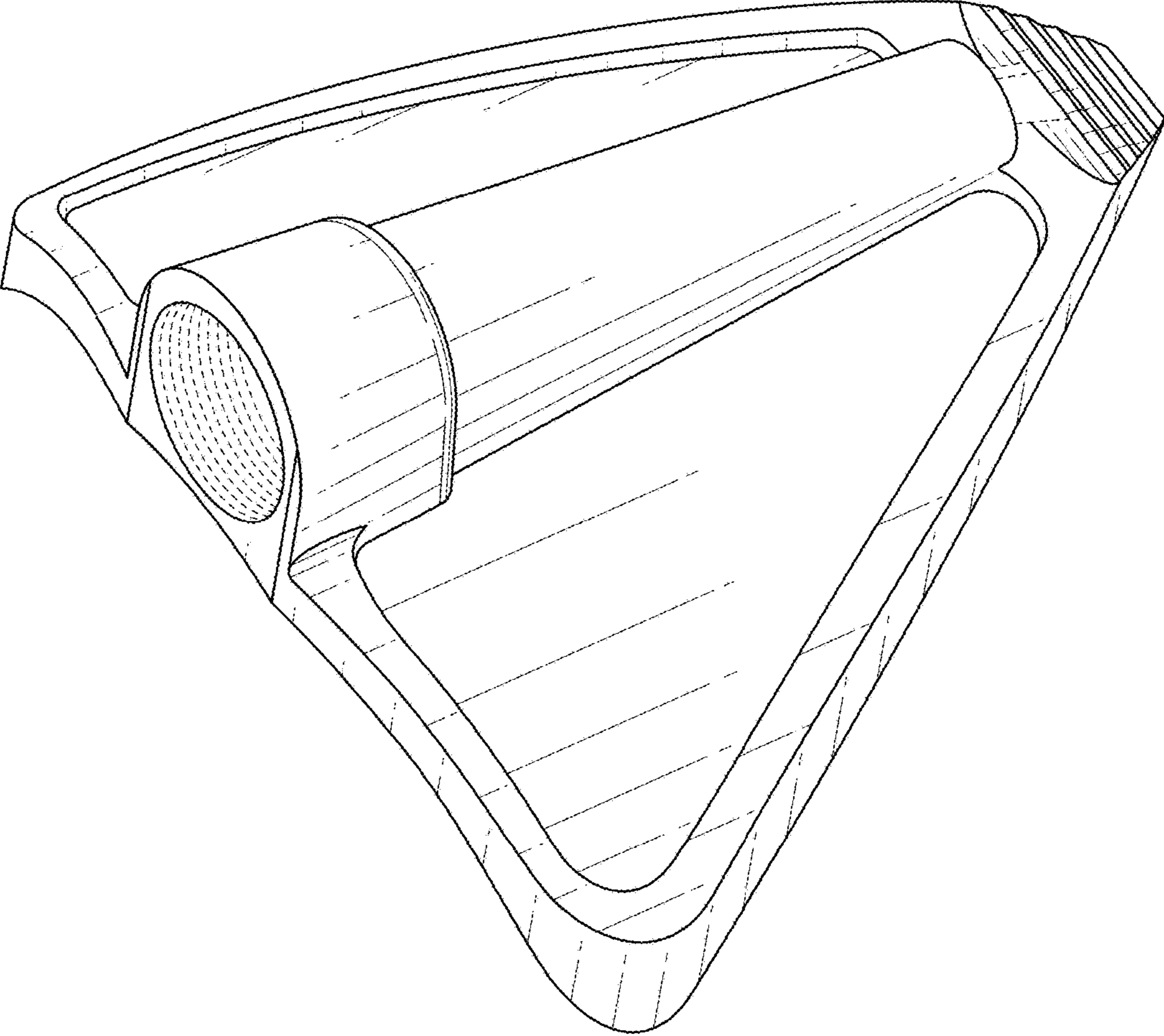
Primary Examiner — Elizabeth Albert

(57) **CLAIM**
The ornamental design for a spatula hand tool, as shown and described.

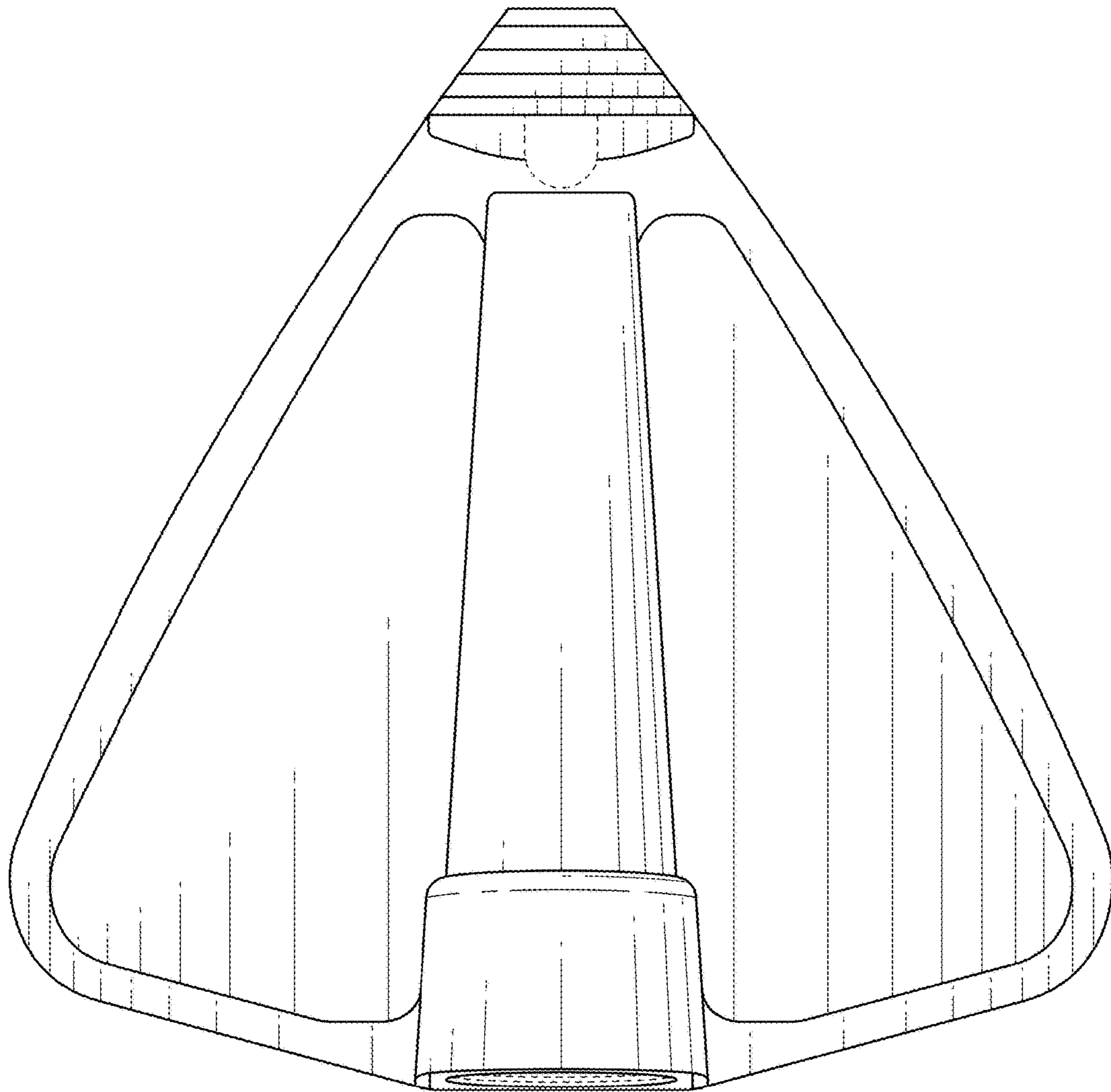
DESCRIPTION
1. Spatula hand tool
1.1 is a front perspective view of spatula hand tool showing my new design;
1.2 is a front view thereof;
1.3 is a back view thereof;
1.4 is a left side view thereof;
1.5 is a bottom view thereof; and,
1.6 is a top view thereof.
The broken line showing of the spatula is for the purpose of illustrating portions of the article and forms no part of the claimed design.

1 Claim, 5 Drawing Sheets

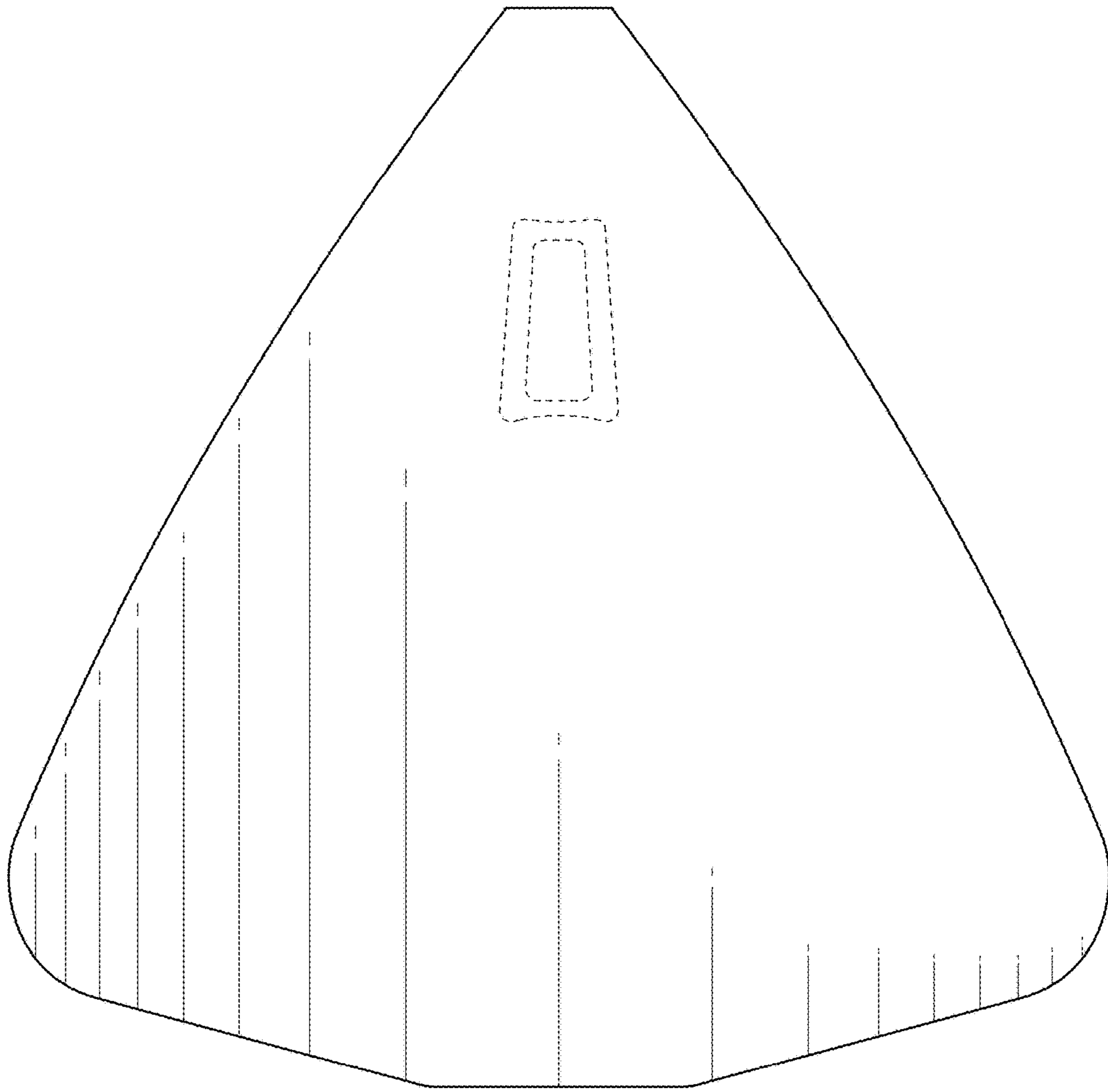




1.1



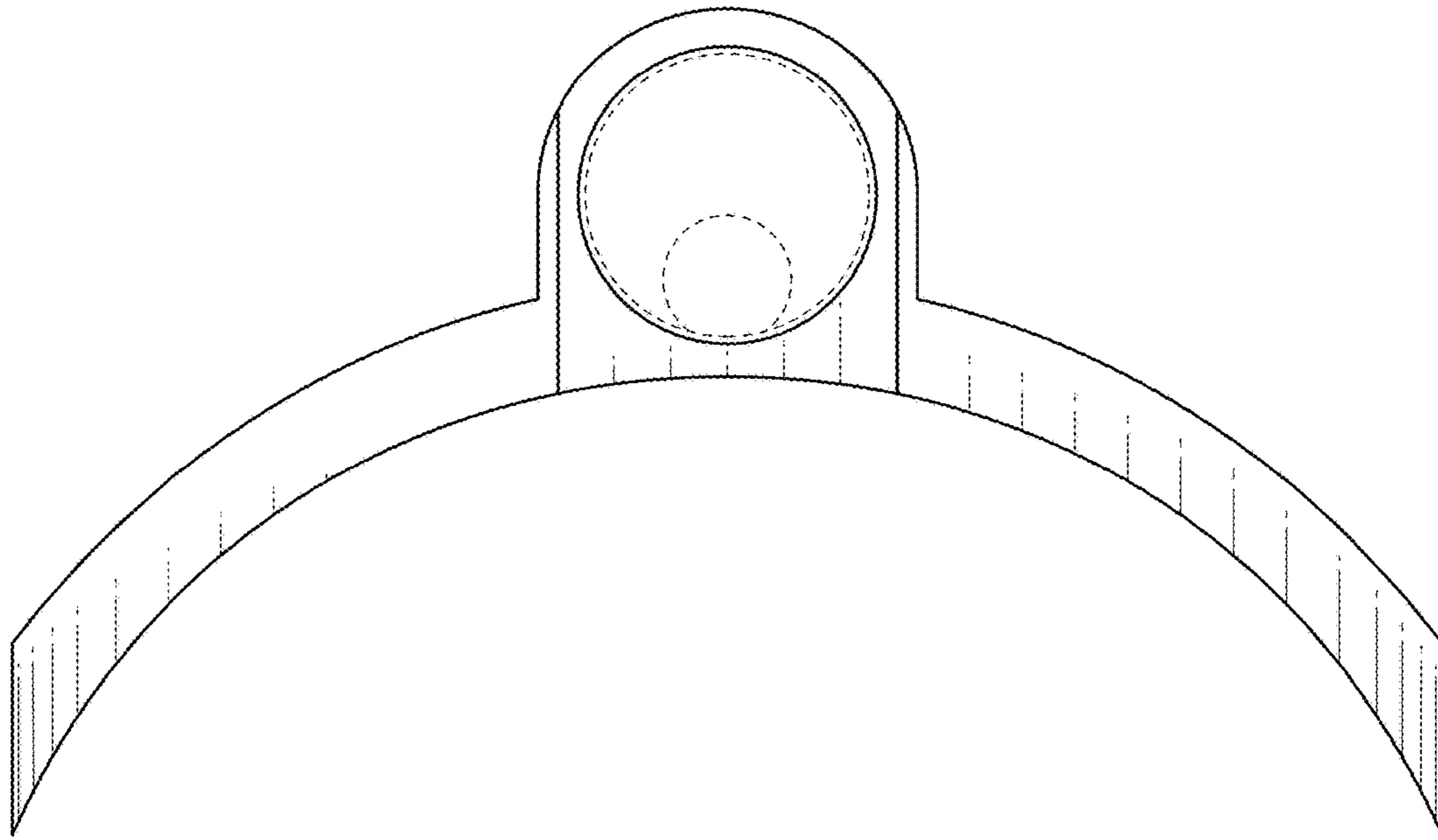
1.2



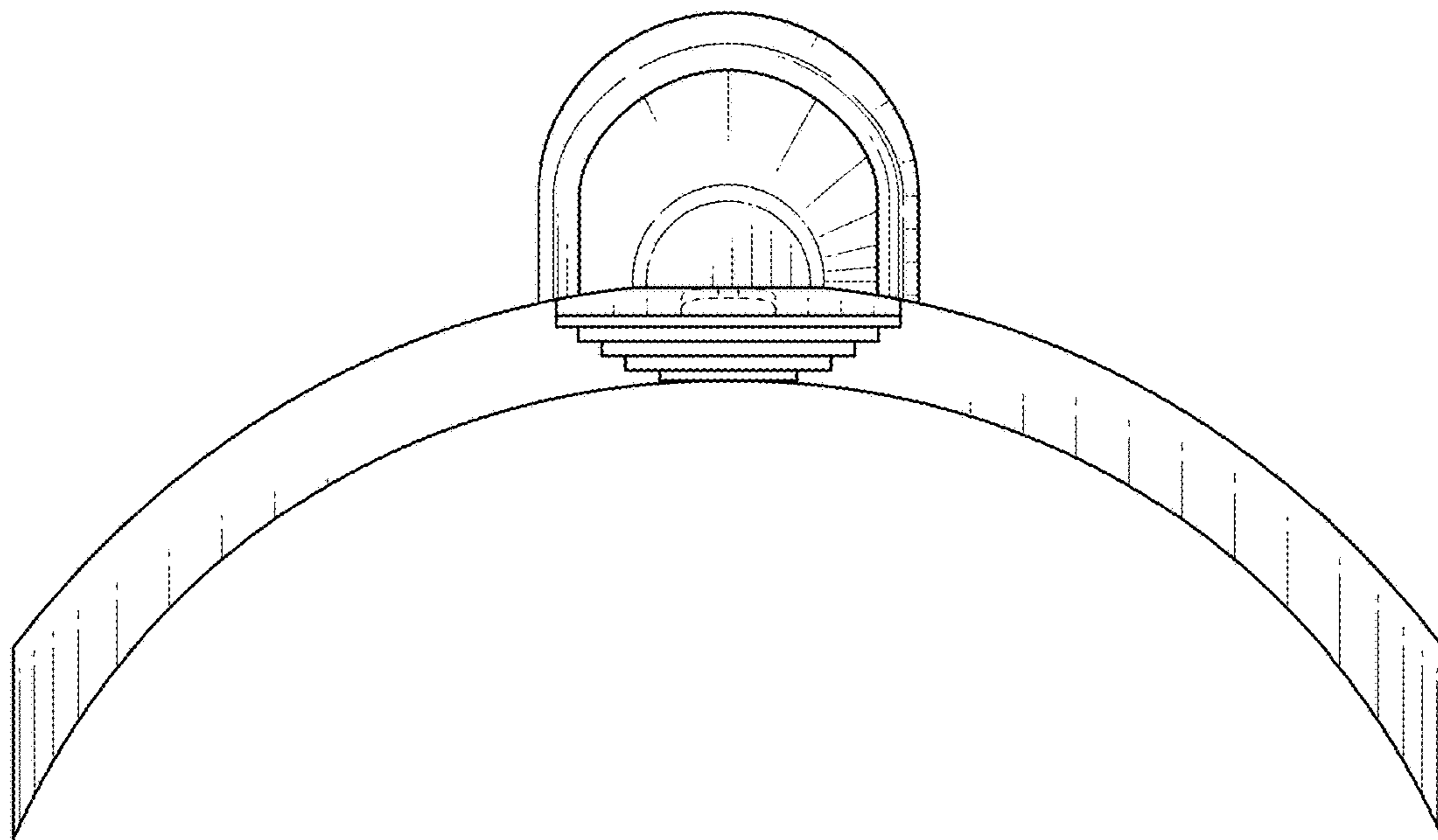
1.3



1.4



1.5



1.6