



US00D790293S

(12) **United States Design Patent** (10) **Patent No.:** **US D790,293 S**  
**Borovicka et al.** (45) **Date of Patent:** **\*\* Jun. 27, 2017**

- (54) **PIZZA STONE LIFTER**
- (71) Applicant: **Charcoal Companion Incorporated**, Berkeley, CA (US)
- (72) Inventors: **Cory Thomas Borovicka**, Oakland, CA (US); **Kwame Phillips-Solomon**, Emeryville, CA (US)
- (73) Assignee: **Charcoal Companion Incorporated**, Berkeley, CA (US)
- (\*\*) Term: **15 Years**
- (21) Appl. No.: **29/588,877**
- (22) Filed: **Dec. 23, 2016**

**Related U.S. Application Data**

- (62) Division of application No. 29/518,729, filed on Feb. 26, 2015, now Pat. No. Des. 779,895.
- (51) **LOC (10) Cl.** ..... **07-04**
- (52) **U.S. Cl.**  
USPC ..... **D7/688**
- (58) **Field of Classification Search**  
USPC ..... D7/688, 669, 368, 387, 402; D8/51, 71, D8/72  
CPC ..... A47J 45/10; A47J 37/0786; A47J 37/07; A47G 23/0266  
See application file for complete search history.

(56) **References Cited**

U.S. PATENT DOCUMENTS

898,010 A *	9/1908	Seeland	.....	B66F 3/02	254/131
913,015 A *	2/1909	Kennedy	.....	A47J 45/10	294/34
4,648,379 A *	3/1987	Fordyce	.....	F24C 15/16	126/337 R
D312,375 S *	11/1990	Hessler	.....	D7/368	
8,579,341 B2 *	11/2013	Greer	.....	A47J 37/0786	294/131
D736,575 S *	8/2015	Tufford	.....	D7/669	
2013/0055506 A1 *	3/2013	Greer	.....	A47J 45/10	7/109

\* cited by examiner

*Primary Examiner* — Terry Wallace

(74) *Attorney, Agent, or Firm* — Beeson Skinner Beverly, LLP

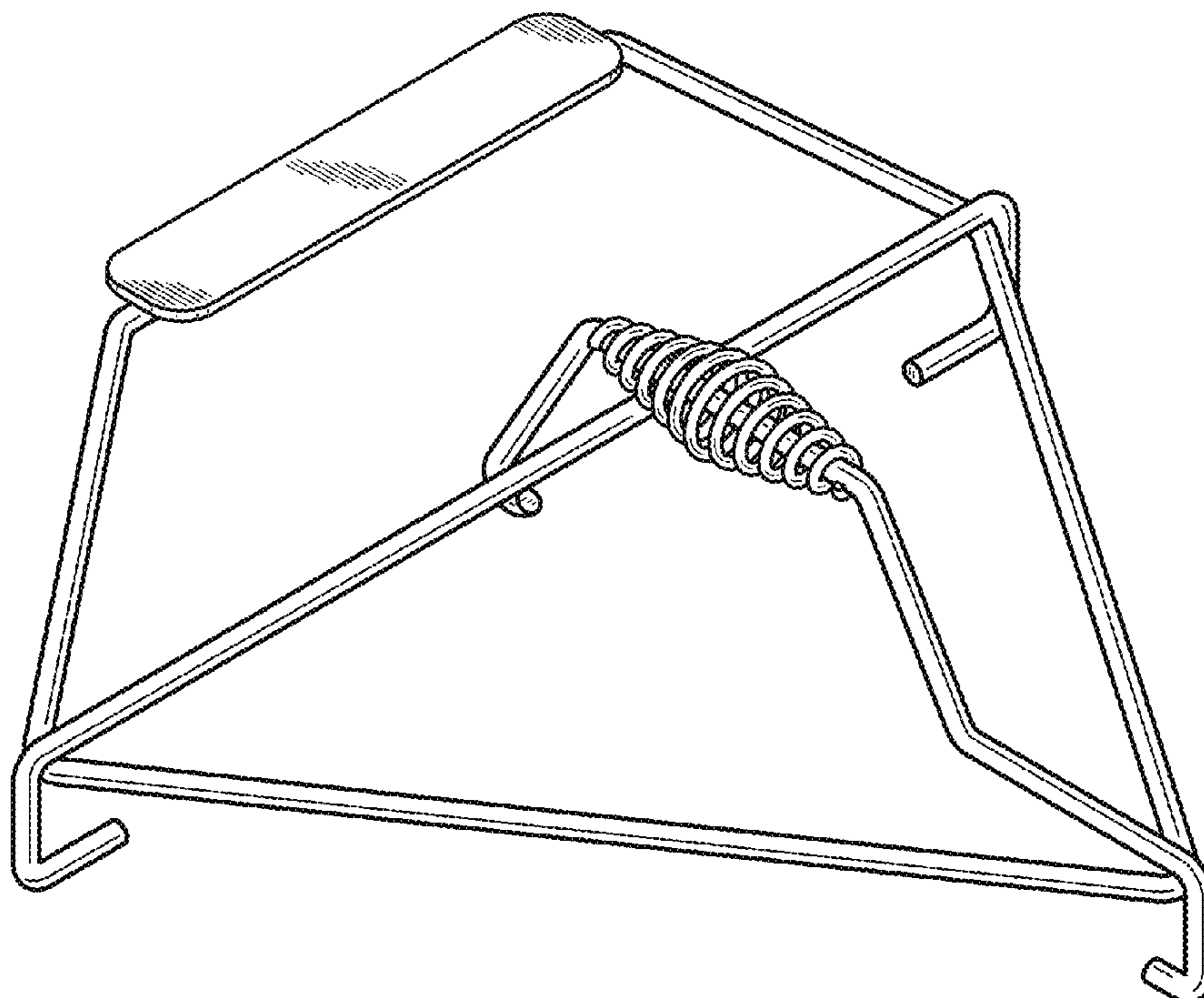
(57) **CLAIM**

The ornamental design for a pizza stone lifter, as shown and described.

**DESCRIPTION**

FIG. 1 is a top rear perspective view of a pizza stone lifter showing our new design;  
FIG. 2 is a top plan view thereof;  
FIG. 3 is a bottom plan view thereof;  
FIG. 4 is a front elevational view thereof;  
FIG. 5 is a rear elevational view thereof; and,  
FIG. 6 is a left side elevational view thereof, the right side being a mirror image.

**1 Claim, 3 Drawing Sheets**



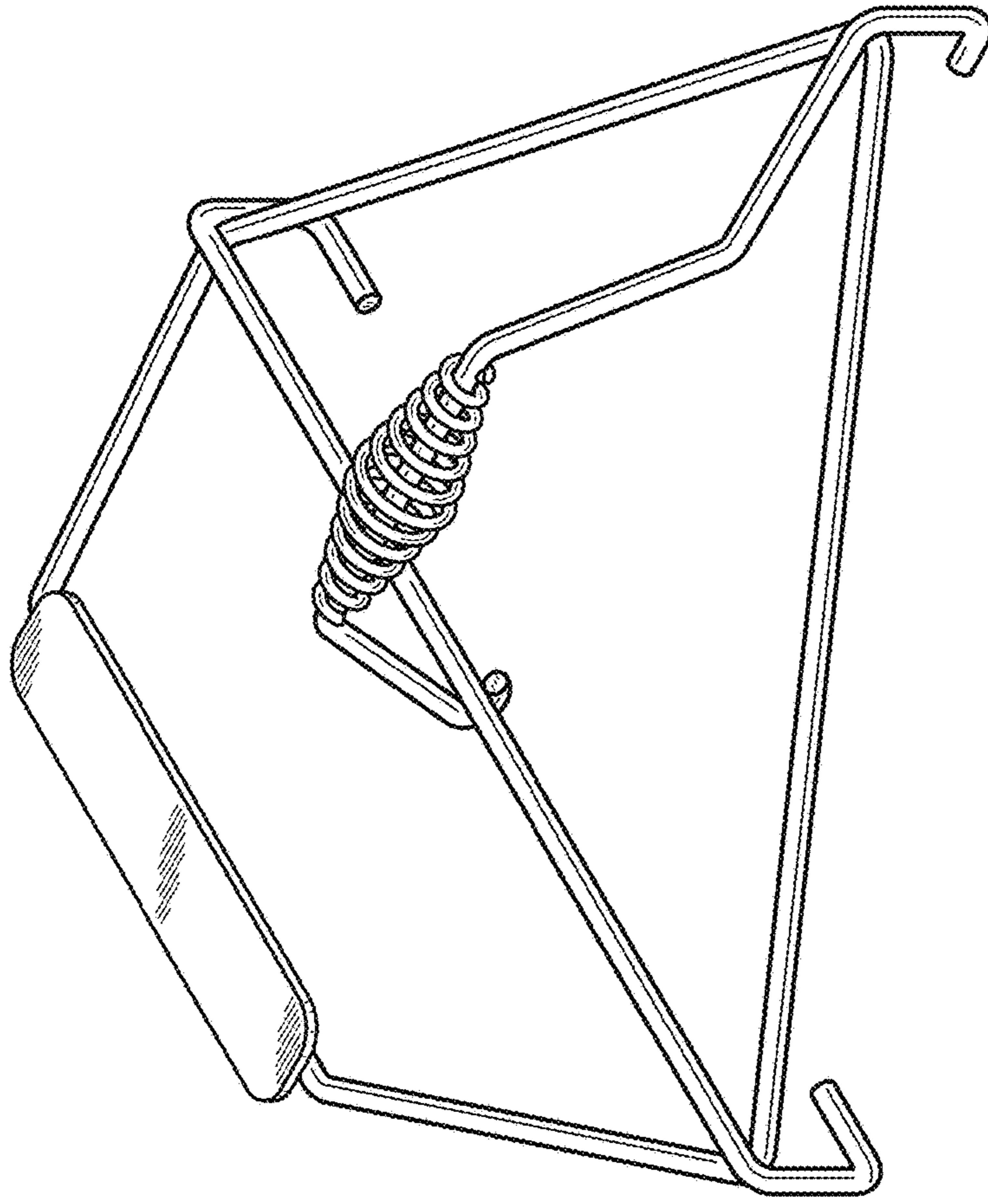


FIG. 1

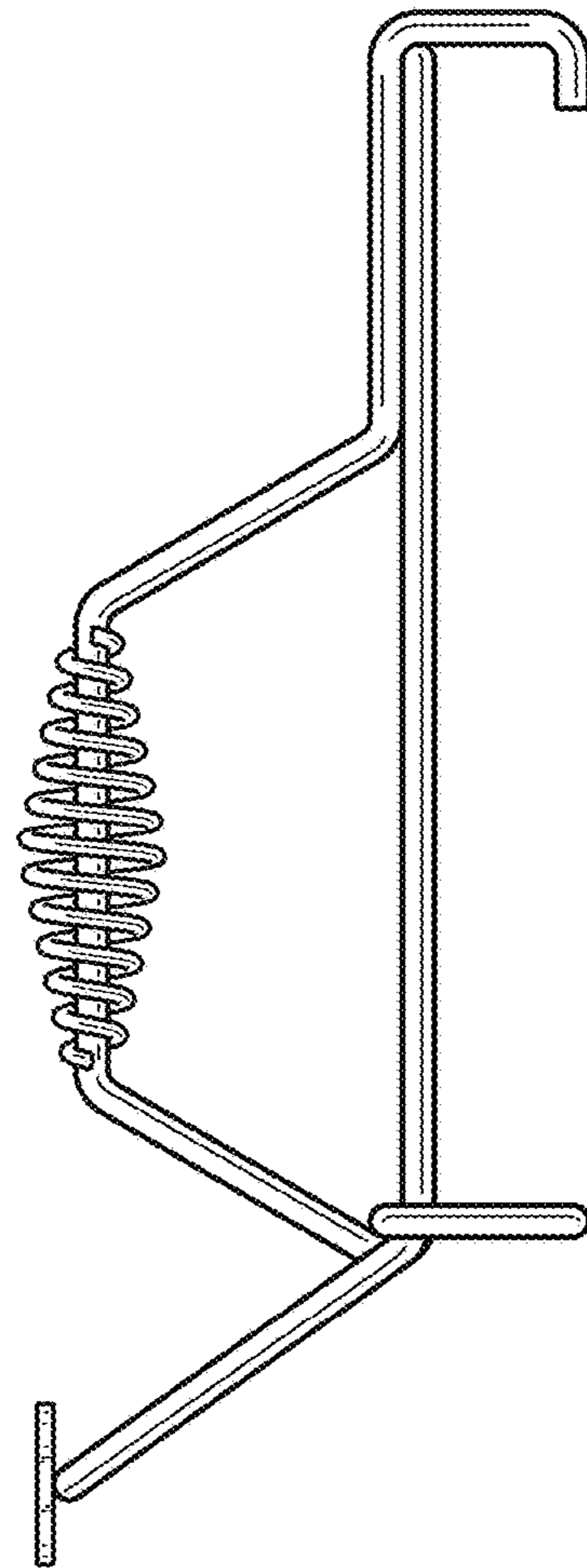
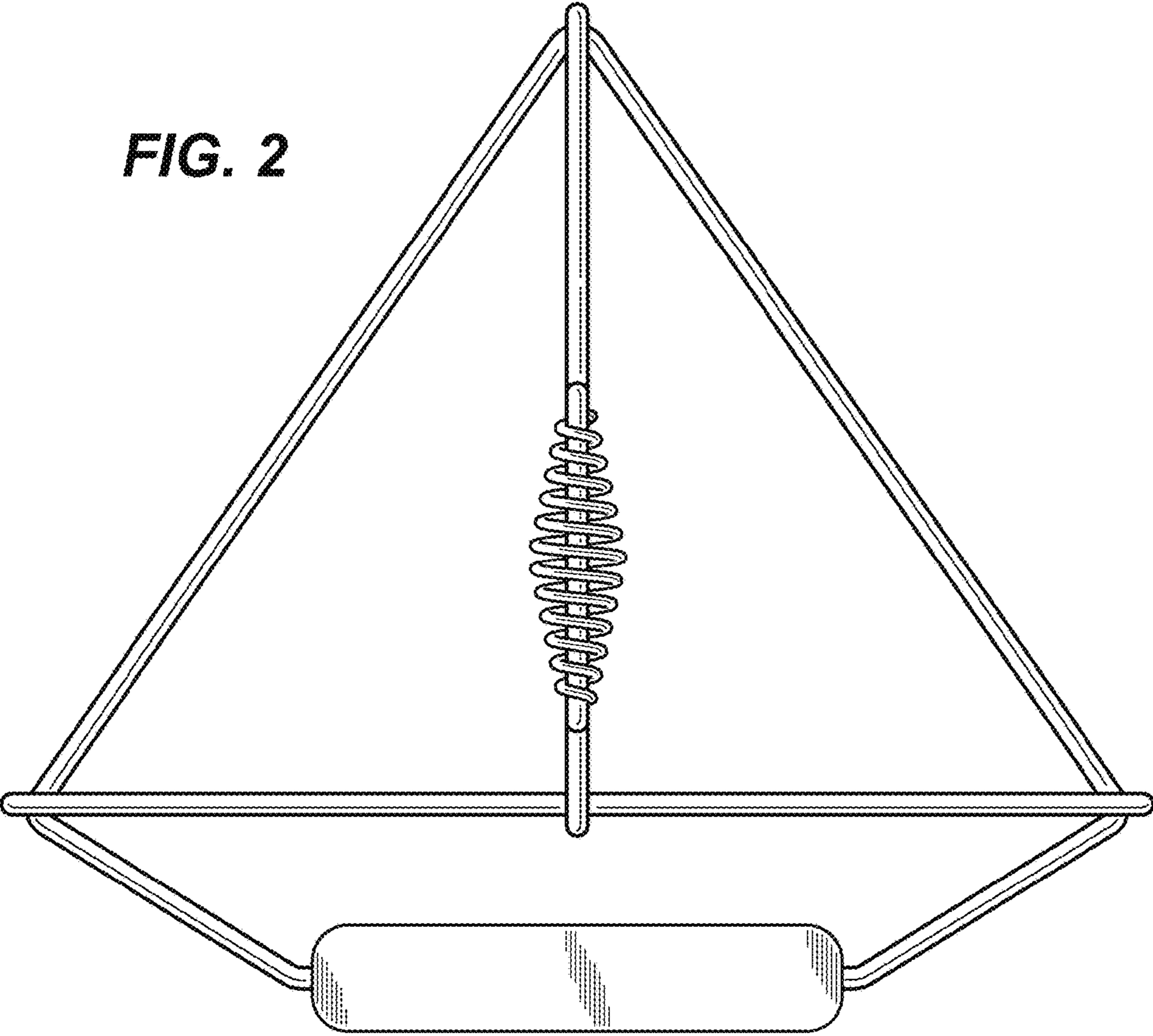
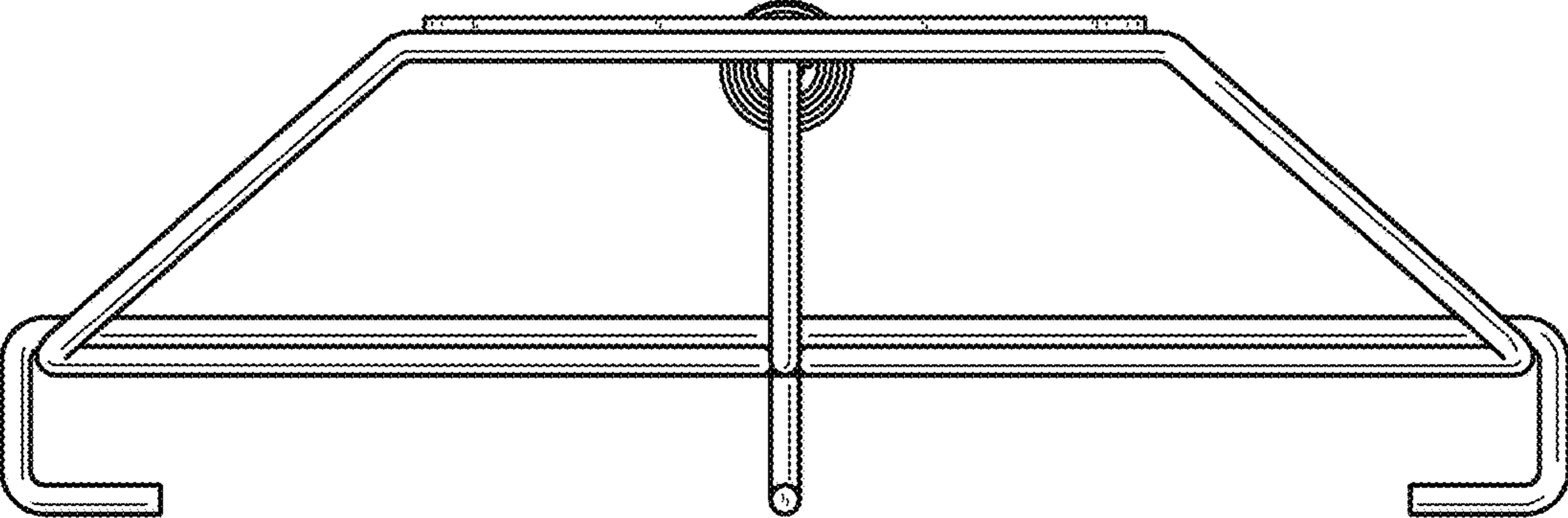


FIG. 6

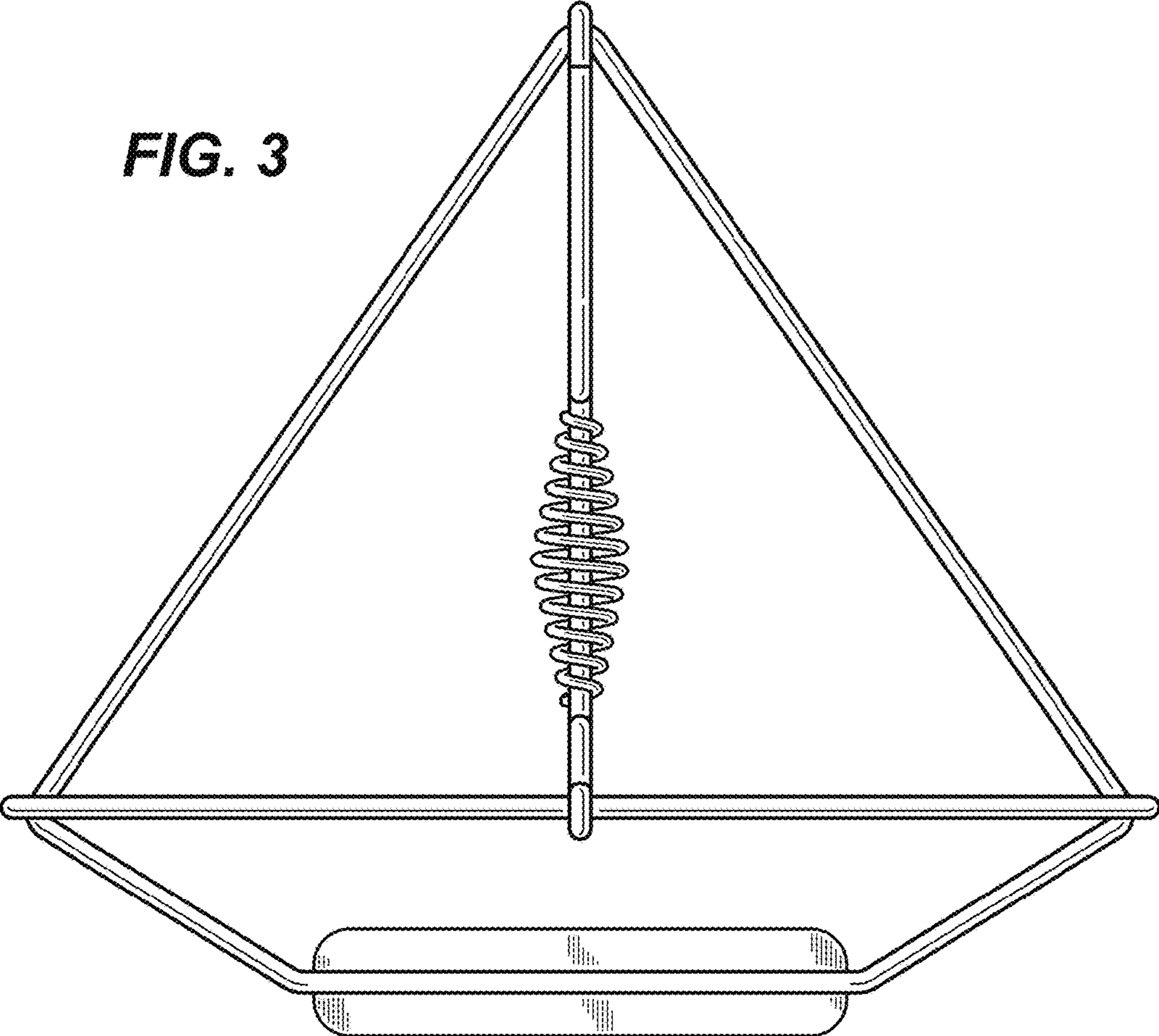
**FIG. 2**



**FIG. 4**



**FIG. 3**



**FIG. 5**

