



US00D790292S

(12) **United States Design Patent**
Keating

(10) **Patent No.:** **US D790,292 S**
(45) **Date of Patent:** **** Jun. 27, 2017**

(54) **FOOD MILL**

- (71) Applicant: **TUESDAY MORNING PARTNERS, LTD.**, Dallas, TX (US)
- (72) Inventor: **Daniel S. Keating**, Colorado Springs, CO (US)
- (73) Assignee: **TUESDAY MORNING PARTNERS, LTD.**, Dallas, TX (US)
- (**) Term: **15 Years**

- (21) Appl. No.: **29/538,926**
- (22) Filed: **Sep. 9, 2015**
- (51) **LOC (10) Cl.** **07-04**
- (52) **U.S. Cl.**
USPC **D7/678**; D7/381
- (58) **Field of Classification Search**
USPC D7/672–675, 381, 678
CPC A47J 45/063; A47J 43/25; A47J 43/00;
A47J 43/255; A47J 17/02; A47J 19/005;
B26D 7/00; B26D 7/26; B26D 3/26
See application file for complete search history.

(56) **References Cited**

U.S. PATENT DOCUMENTS

1,517,624	A *	12/1924	Girard	A47J 19/005 241/101.1
2,612,922	A *	10/1952	Charles	A47J 19/005 209/358
3,247,875	A *	4/1966	Richner	A47J 19/005 241/89.2
D420,862	S *	2/2000	Blaise	D7/665
D491,773	S *	6/2004	So	D7/678
D581,749	S *	12/2008	de Groote	D7/669
7,744,026	B2 *	6/2010	Gregory	B26D 7/00 241/169.1
D710,145	S *	8/2014	Repac	D7/372

OTHER PUBLICATIONS

- “OXO Good Grips Food Mill,” printed from www.chefscatalog.com/product/26739-oxo-good-grips-food-mill.aspx, publicly available at least as early as Apr. 28, 2011 (5 pages).
- “Stainless Steel Food Mill,” printed from www.lehmans.com/p-669-stainless-steel-food-mill.aspx, publicly available at least as early as Sep. 13, 2011 (2 pages).
- “Catering Vev Food Mill,” printed from www.kitchenstuffplus.com/459-Catering-Vev-Food-Mill.aspx, publicly available at least as early as Sep. 28, 2012, per <http://web.archive.org> (2 pages).

(Continued)

Primary Examiner — Terry Wallace
(74) *Attorney, Agent, or Firm* — Haynes and Boone LLP

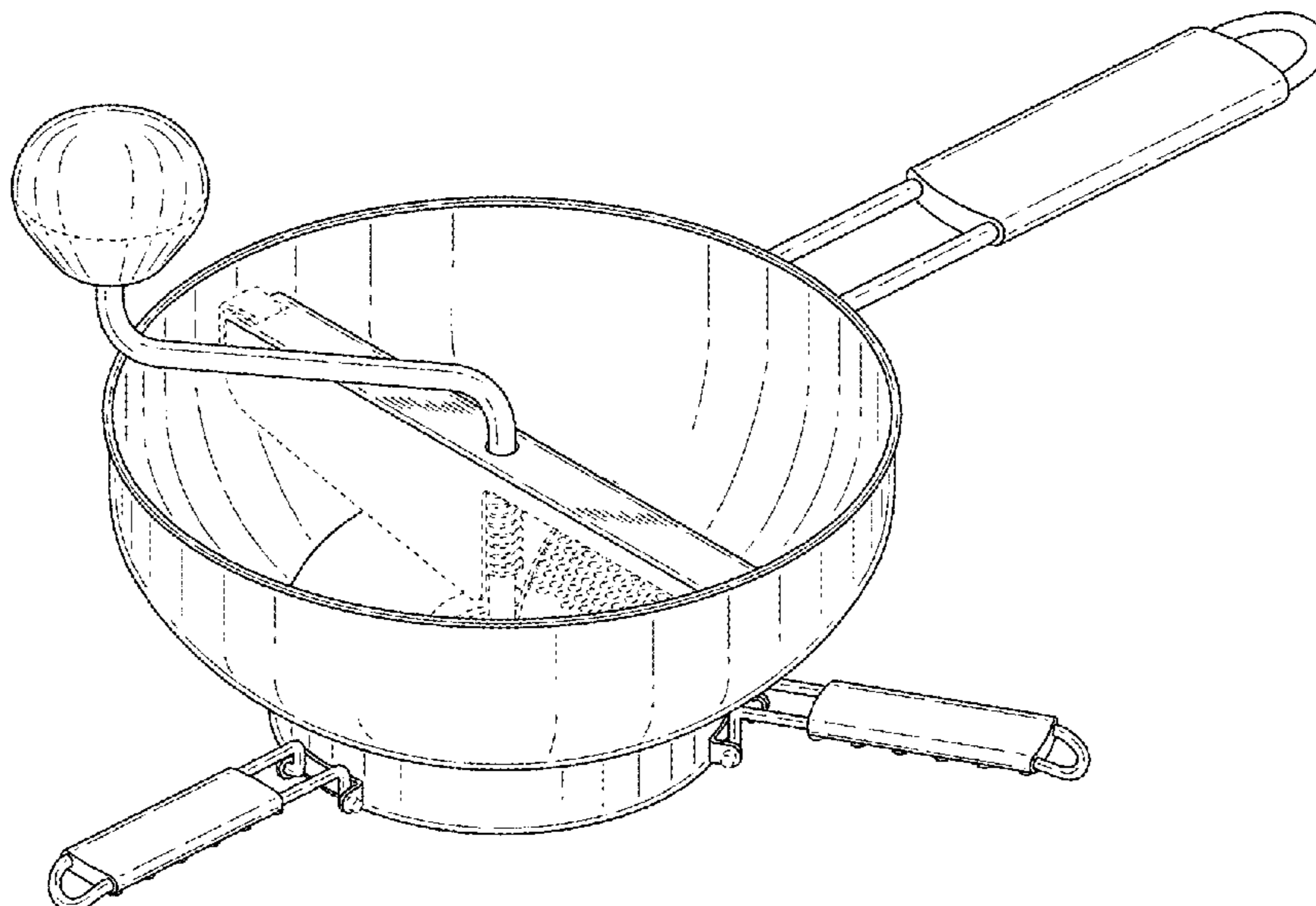
(57) **CLAIM**

The ornamental design for a food mill, as shown and described.

DESCRIPTION

FIG. 1 is a top, front perspective view of a food mill showing our new design.
 FIG. 2 is a bottom, front perspective view thereof.
 FIG. 3 is a front view thereof.
 FIG. 4 is a rear view thereof.
 FIG. 5 is a right side view thereof, the left side being a mirror image.
 FIG. 6 is a top plan view thereof; and,
 FIG. 7 is a bottom plan view thereof.
 The broken lines depict unclaimed subject matter only and form no part of the claimed design. The features shown in long dash-short dash bolded broken lines indicate the bounds of the claimed design and otherwise form no part of the claimed design.

1 Claim, 7 Drawing Sheets



(56)

References Cited

OTHER PUBLICATIONS

“Granite-Ware Canning & Food Preserving,” printed from www.columbianhp.com/products/graniteware/canning/deluxe-food-mill.html, publicly available at least as early as May 6, 2013, per <http://web.archive.org> (2 pages).

“Deluxe Food Mill,” printed from www.cuisipro.com/en/Cooking/Deluxe-Food-Mill-plu74-6479.html, publicly available at least as early as Apr. 6, 2014, per <http://web.archive.org> (1 page).

“Food Mill,” printed from <http://children.goodsmy.com/food-mill/>, publicly available at least as early as Jun. 17, 2015 (6 pages).

“Food Mill Stainless Steel 9 inches with 3 stainless steel blades,” printed from [www.ebay.com/itm/Food-Mill-Stainless-Steel-9-inches-wi . . .](http://www.ebay.com/itm/Food-Mill-Stainless-Steel-9-inches-wi...), publicly available at least as early as Oct. 16, 2014 (2 pages).

“RSVP International Rotary Food Mill,” printed from [www.ebay.com/itm/RSVP-International-Rotary-Food-Mil . . .](http://www.ebay.com/itm/RSVP-International-Rotary-Food-Mil...), publicly available at least as early as Apr. 7, 2015 (3 pages).

“Stainless Steel Food Mill,” printed from www.matferbourgeatusa.com/stainless-steel-food-mill-3, publicly available at least as early as Jun. 17, 2015 (2 pages).

“Rosle Food Mill,” printed from www.goodhousekeeping.com/cooking-tools/potato-mashers/a29056/rosle-food-mill/, publicly available at least as early as Nov. 2009 (7 pages).

“Wolfgang Puck Bistro Elite Stainless Steel Food Mill,” excerpt from www.pinterest.com/pin/438678819924913203/, publicly available at least as early as Jun. 23, 2014 (1 page).

* cited by examiner

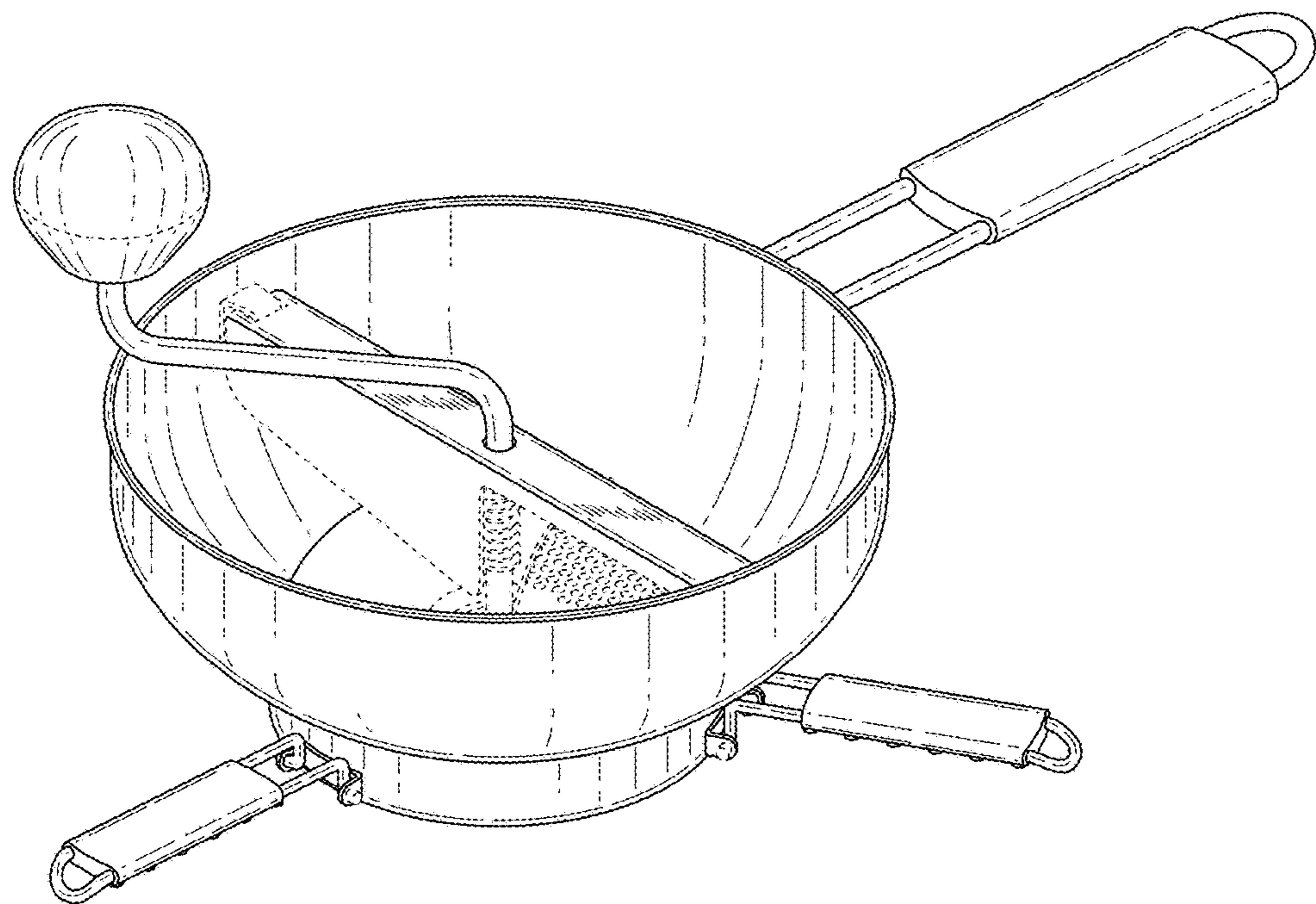


FIG. 1

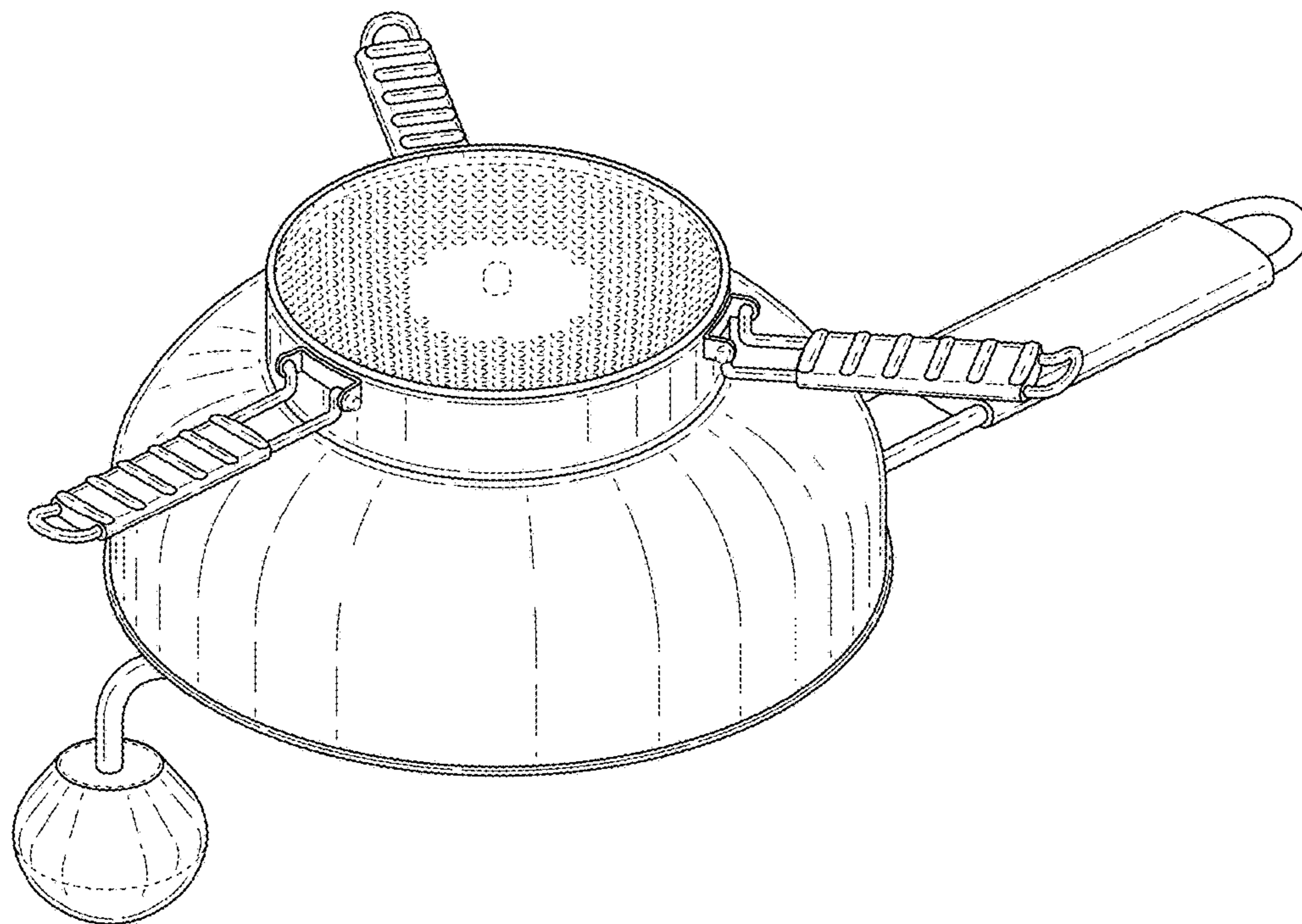


FIG. 2

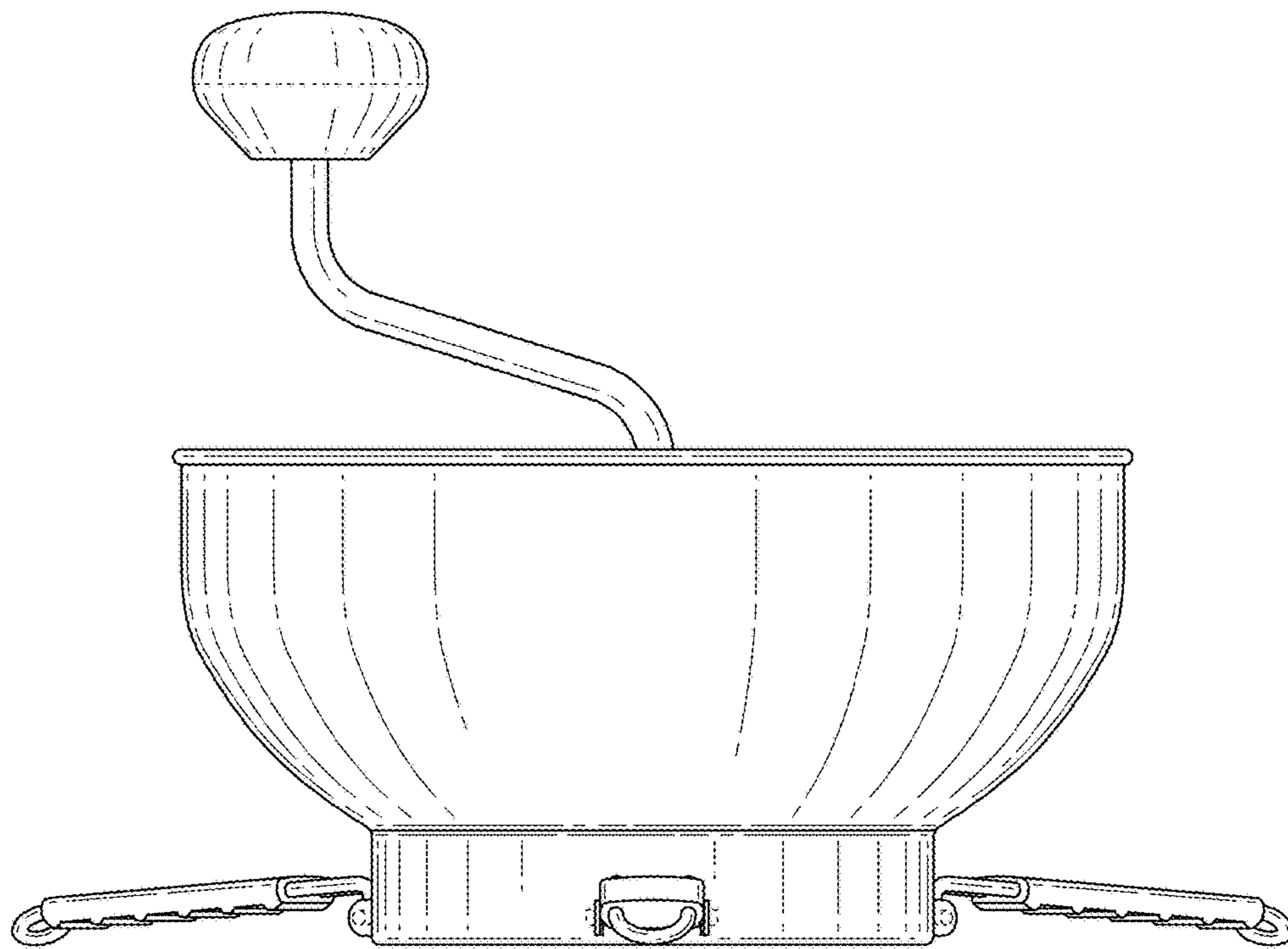


FIG. 3

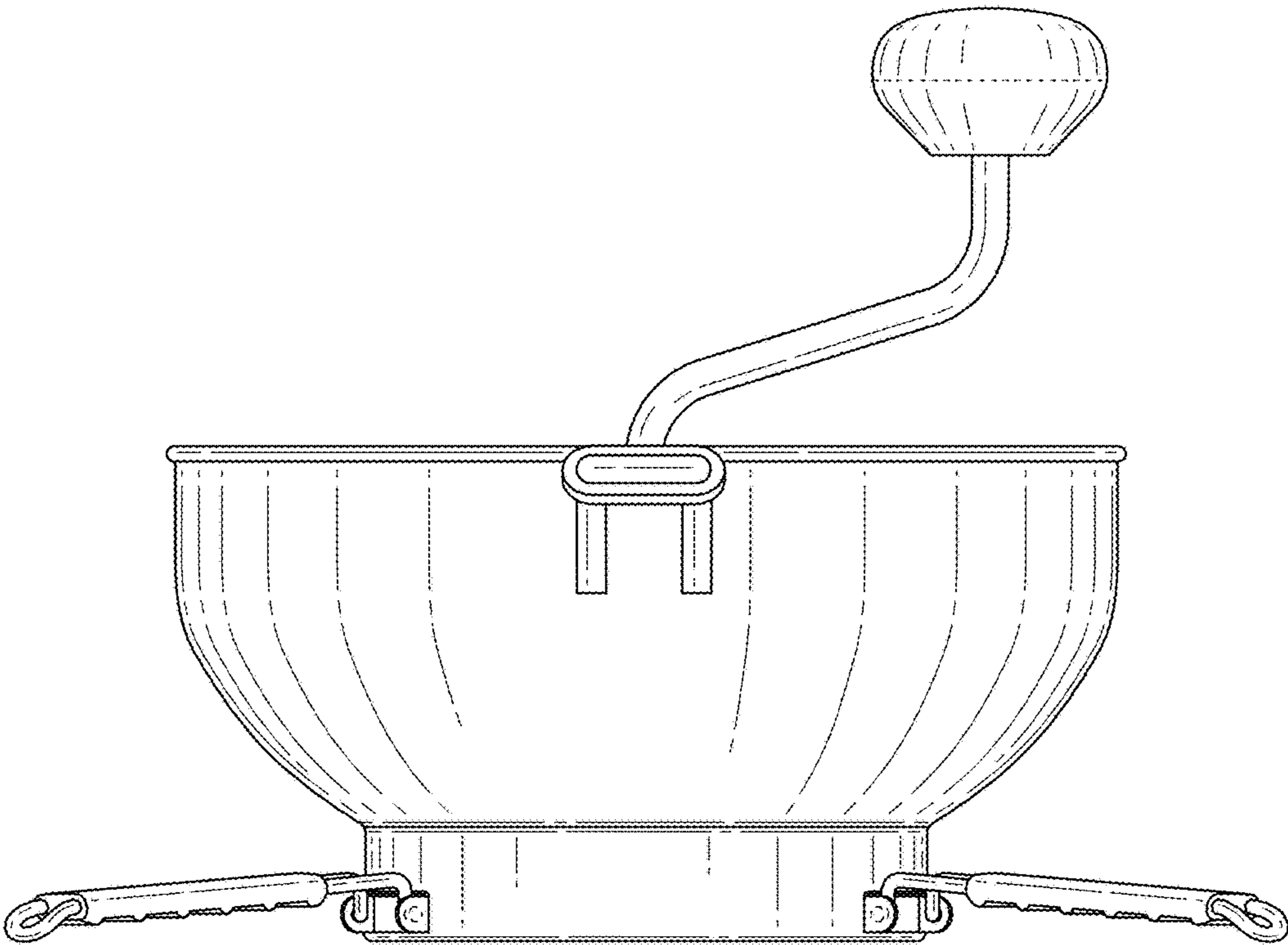


FIG. 4

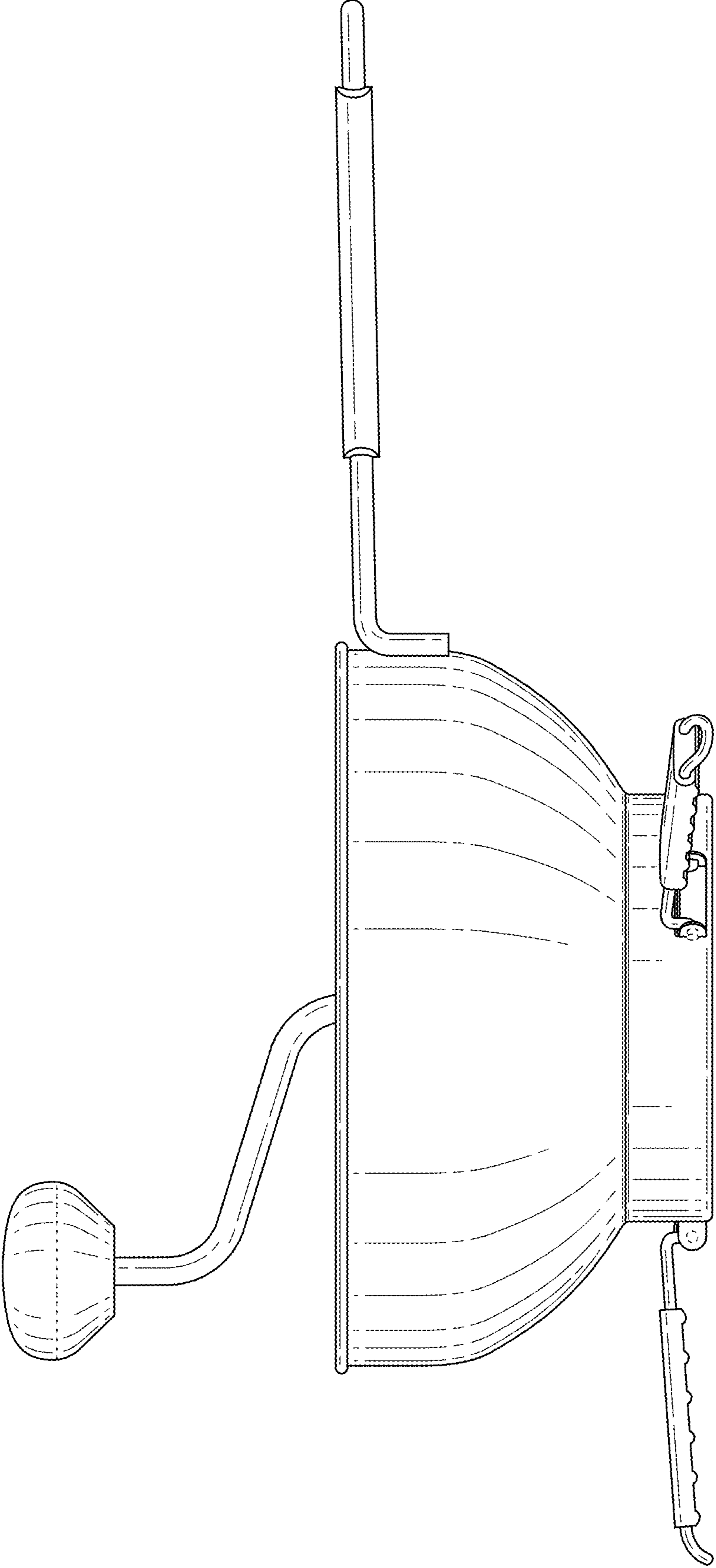


FIG. 5

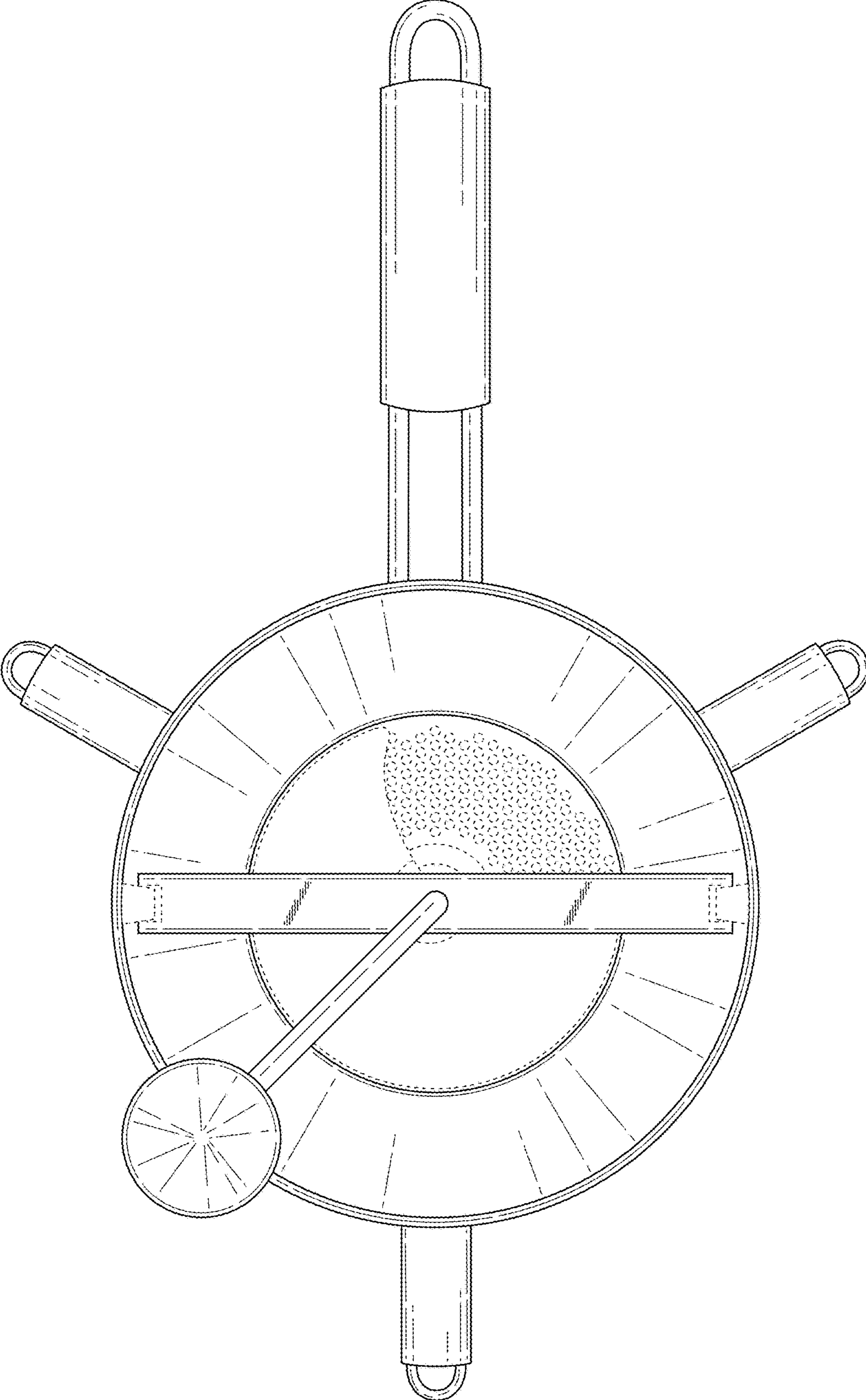


FIG. 6

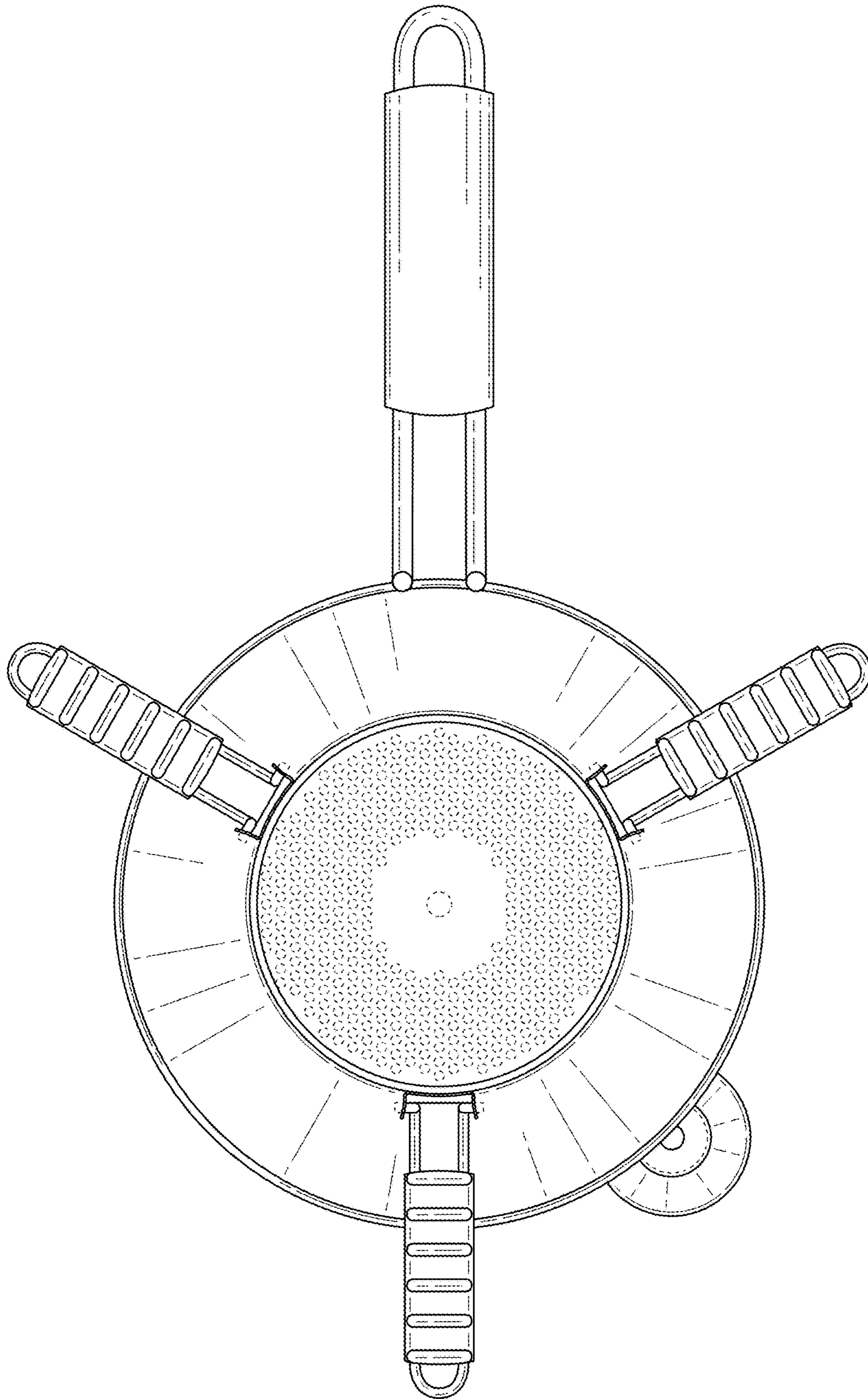


FIG. 7