



US00D790286S

(12) **United States Design Patent**  
**Lum**

(10) **Patent No.:** **US D790,286 S**  
(45) **Date of Patent:** **\*\* Jun. 27, 2017**

(54) **COMBINATION WINE STAND AND CORKSCREW**

(71) Applicant: **Kikkerland Design, Inc.**, New York, NY (US)

(72) Inventor: **Patrick Lum**, Toronto (CA)

(73) Assignee: **Kikkerland Design, Inc.**, New York, NY (US)

(\*\*) Term: **15 Years**

(21) Appl. No.: **29/576,561**

(22) Filed: **Sep. 4, 2016**

**Related U.S. Application Data**

(63) Continuation-in-part of application No. 29/524,429, filed on Apr. 20, 2015, now abandoned.

(51) **LOC (10) Cl.** ..... **07-06**

(52) **U.S. Cl.**  
USPC ..... **D7/619.1**

(58) **Field of Classification Search**  
USPC ..... D7/600.1, 601, 602, 619.1, 701, 704;  
D6/672, 673; 211/41.2, 57.1, 59.2, 66,  
211/74, 94.01, 181.1, 189; 248/220.41,  
248/303, 312.1; D8/34, 42  
CPC ..... A47B 55/00; A47B 55/02; A47B 73/00;  
A47B 73/002; A47B 73/004; A47B  
73/006; A47B 73/008; A47B 69/00;  
A47G 23/0266; A47J 47/16  
See application file for complete search history.

(56) **References Cited**

**U.S. PATENT DOCUMENTS**

- 1,657,728 A \* 1/1928 Untiedt ..... B67B 7/44  
30/316
- 5,197,612 A \* 3/1993 Thomson ..... A47B 73/004  
211/74
- D350,039 S \* 8/1994 Gener ..... D7/619.1

- D433,632 S \* 11/2000 Bender ..... D7/619.1
- D456,220 S \* 4/2002 Loiacono ..... D7/619.1
- 6,523,705 B2 \* 2/2003 Henderson ..... A47G 23/0241  
211/181.1
- D488,358 S \* 4/2004 Cook ..... D7/619.1
- D527,586 S \* 9/2006 Bacchus ..... D7/619.2
- D548,535 S \* 8/2007 Schwallie ..... D7/619.1
- 7,441,668 B2 10/2008 O'Malley
- 8,033,402 B1 \* 10/2011 Bevis ..... A47B 73/008  
211/74
- 2011/0252924 A1 \* 10/2011 Federighi ..... B67B 7/0423  
81/3.45

\* cited by examiner

*Primary Examiner* — Keli L Hill

(74) *Attorney, Agent, or Firm* — Charles H Jew

(57) **CLAIM**

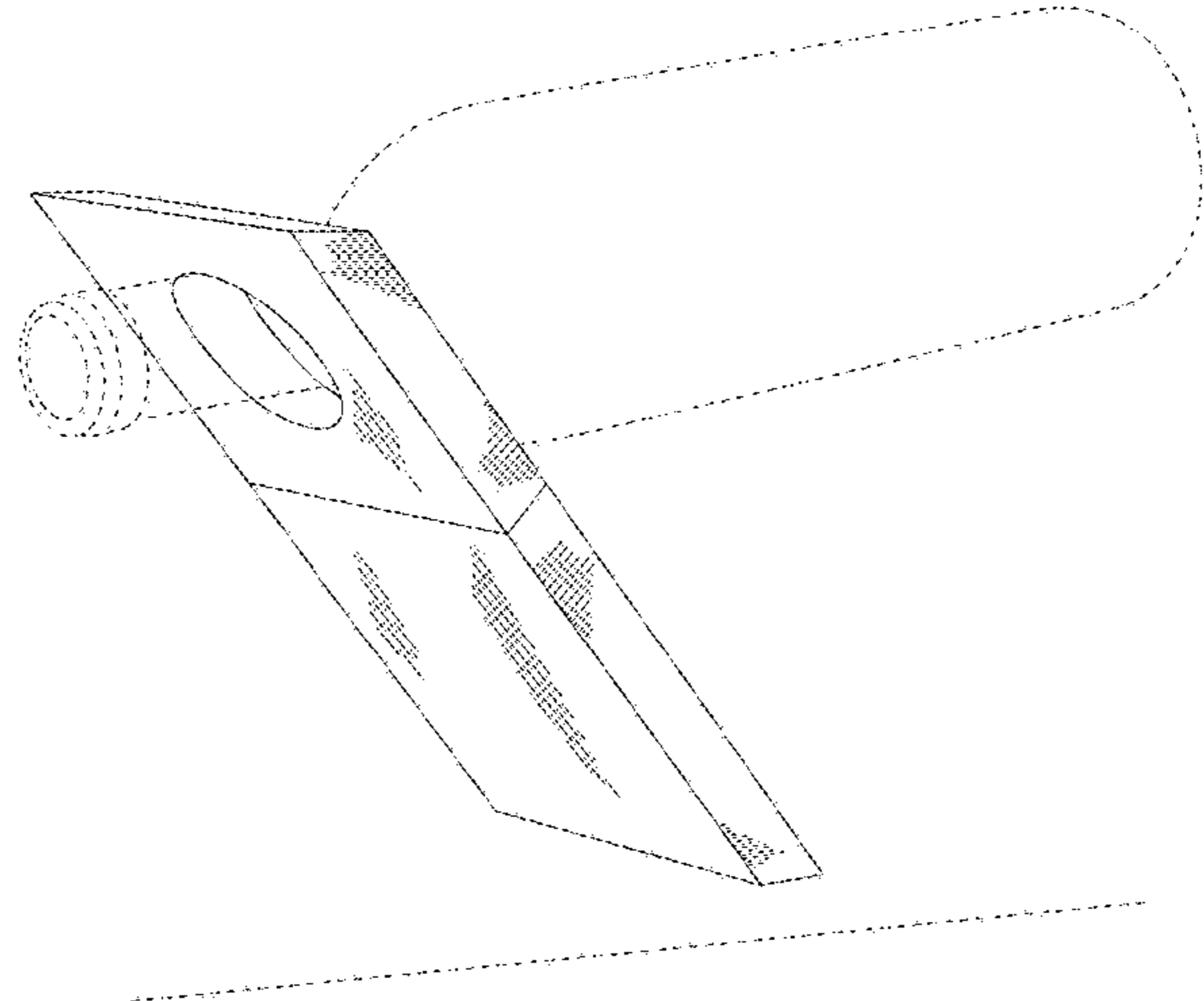
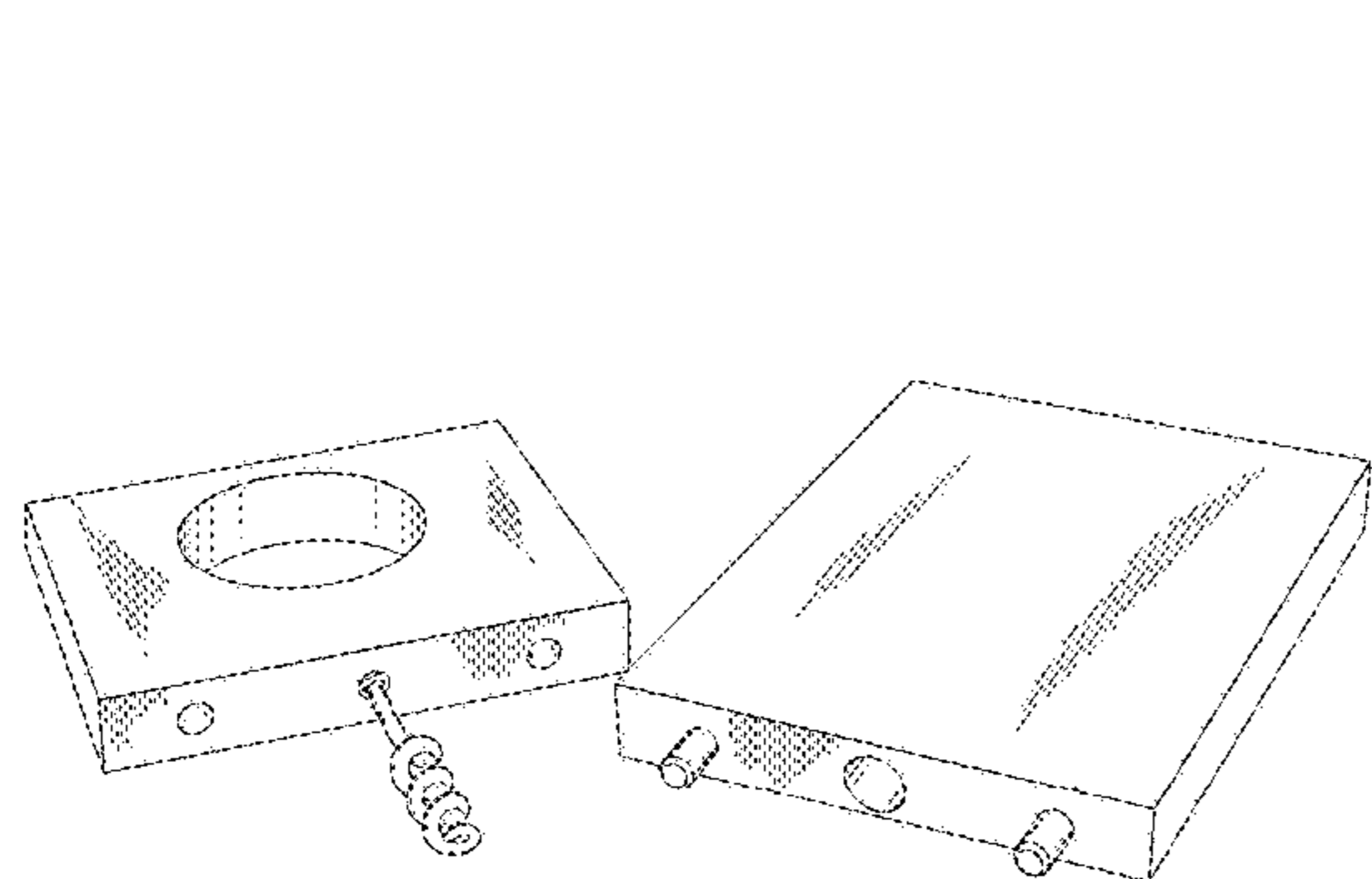
The ornamental design for a combination wine stand and corkscrew, as shown and described.

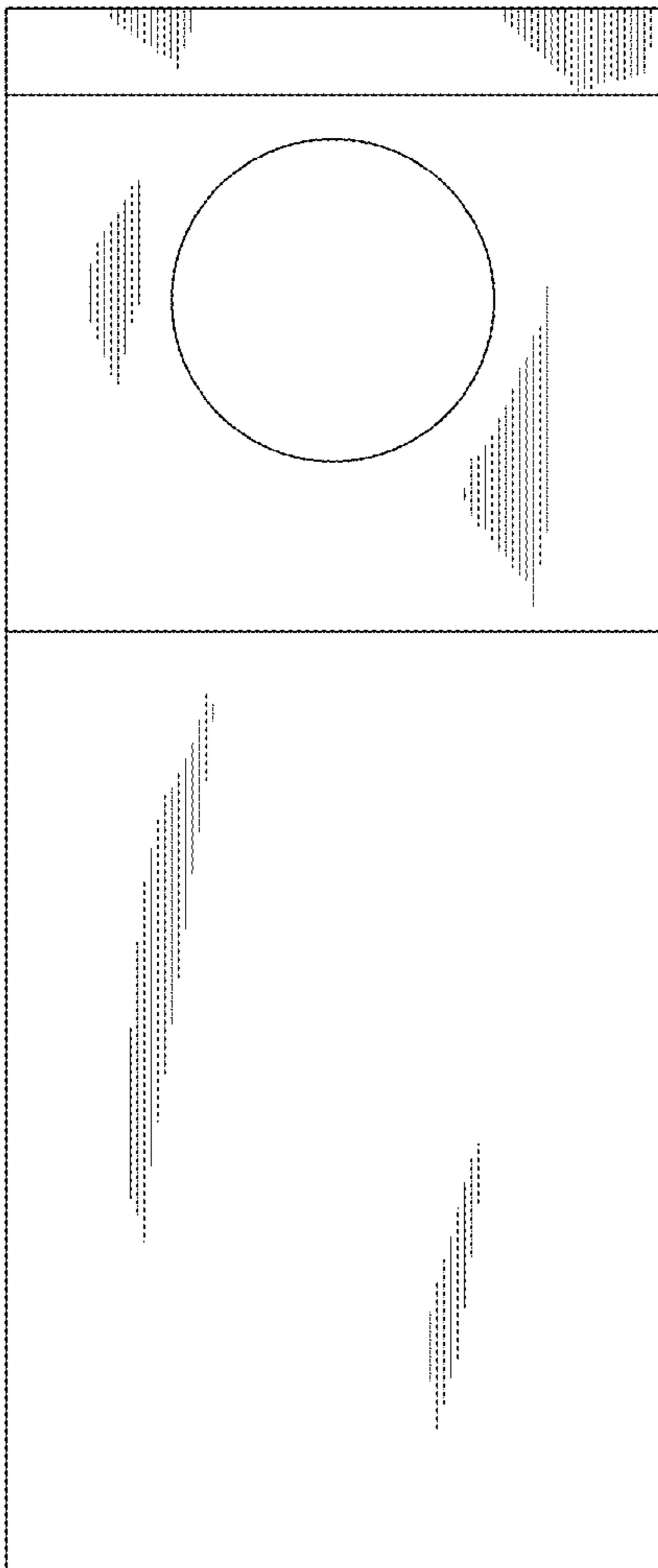
**DESCRIPTION**

FIG. 1 is a top plan view of the combination wine stand and corkscrew showing my novel design in the wine stand configuration;  
 FIG. 2 is a bottom plan view thereof;  
 FIG. 3 is a left side view thereof;  
 FIG. 4 is a right side view thereof;  
 FIG. 5 is a front view of thereof;  
 FIG. 6 is a rear view thereof;  
 FIG. 7 is a top plan view showing the wine stand disassembled into two separate component parts thereby exposing the corkscrew;  
 FIG. 8 are perspective views of the two separate component parts; and,  
 FIG. 9 is a top front perspective view of the wine stand configuration.

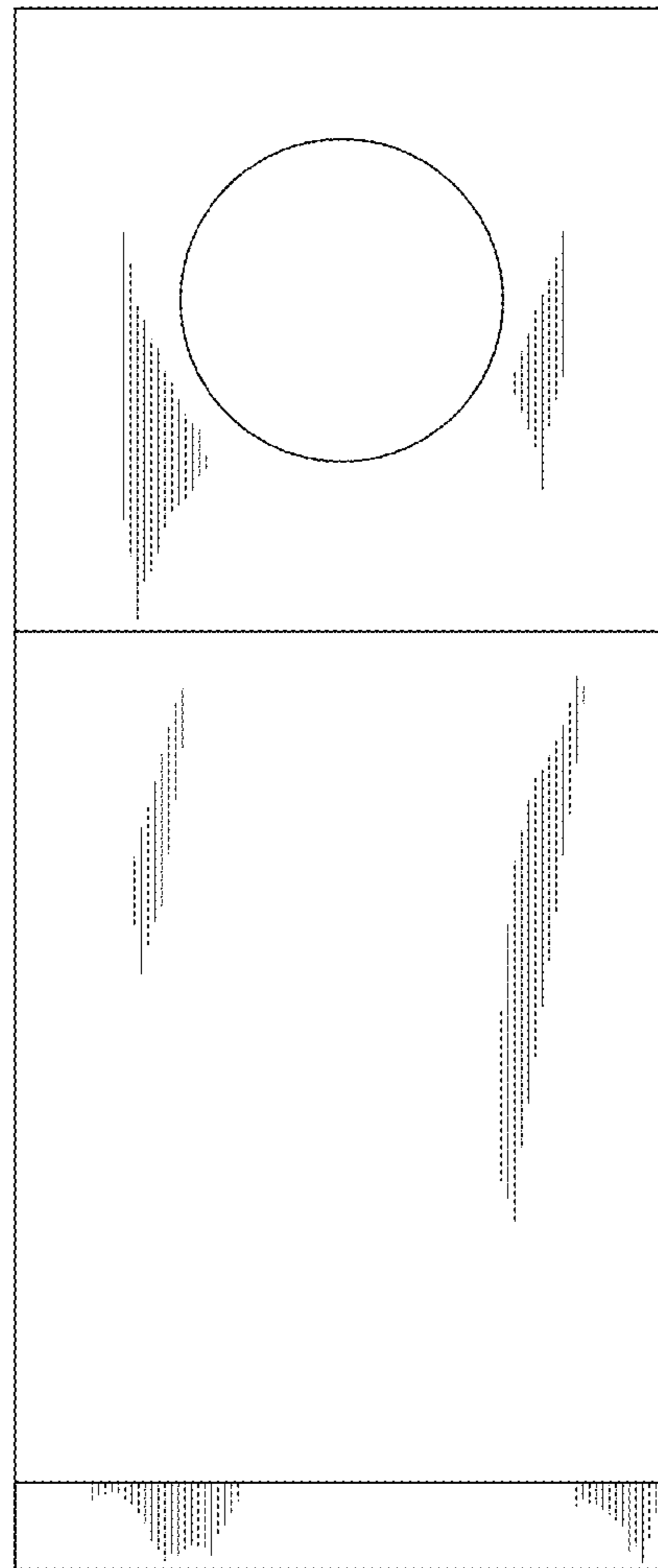
The broken lines shown are included for the purpose of illustrating portions of the combination wine stand and corkscrew that form no part of the claim.

**1 Claim, 3 Drawing Sheets**

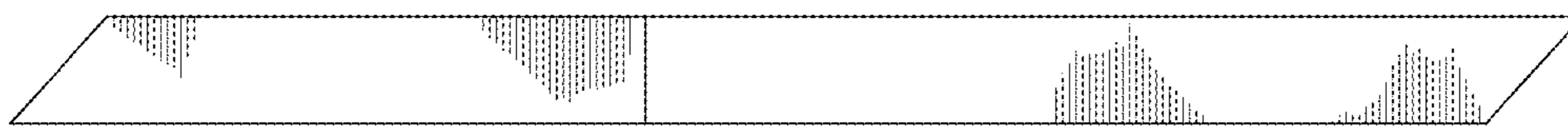




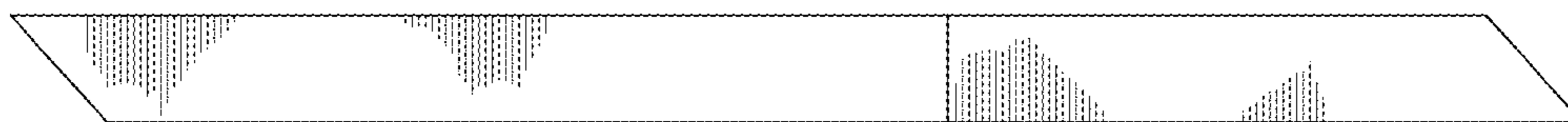
**FIG. 1**



**FIG. 2**



**FIG. 3**



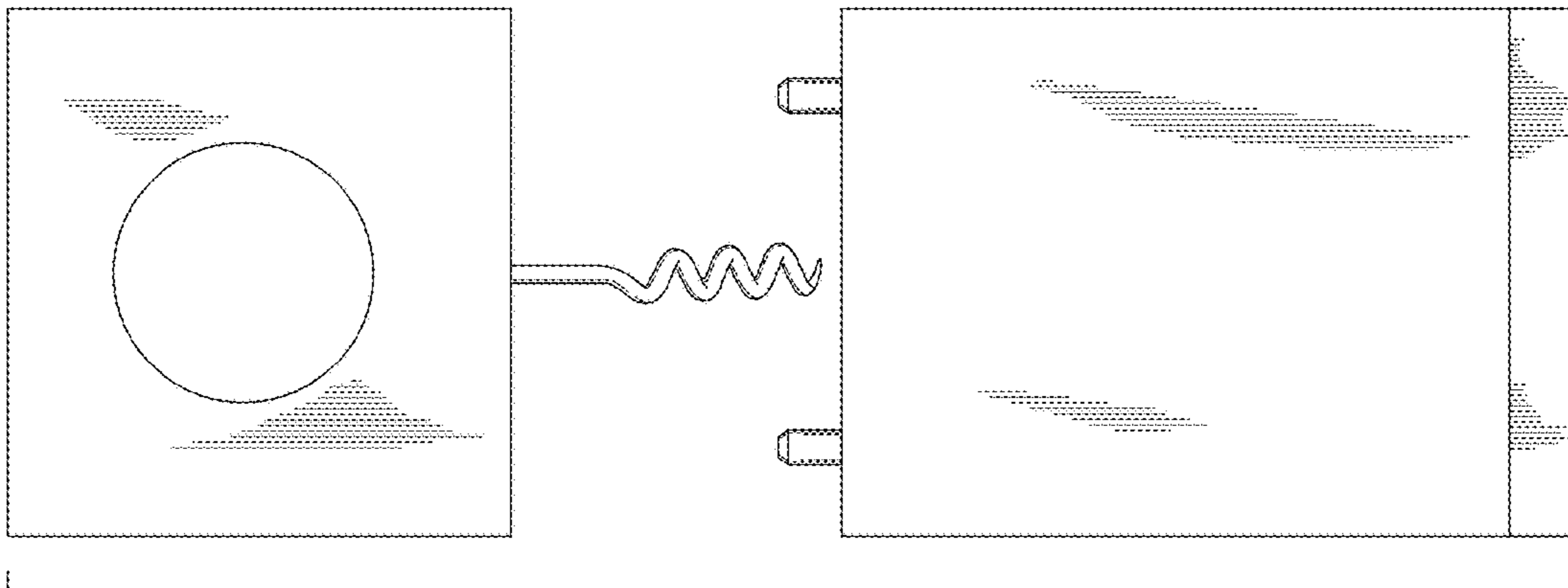
**FIG. 4**



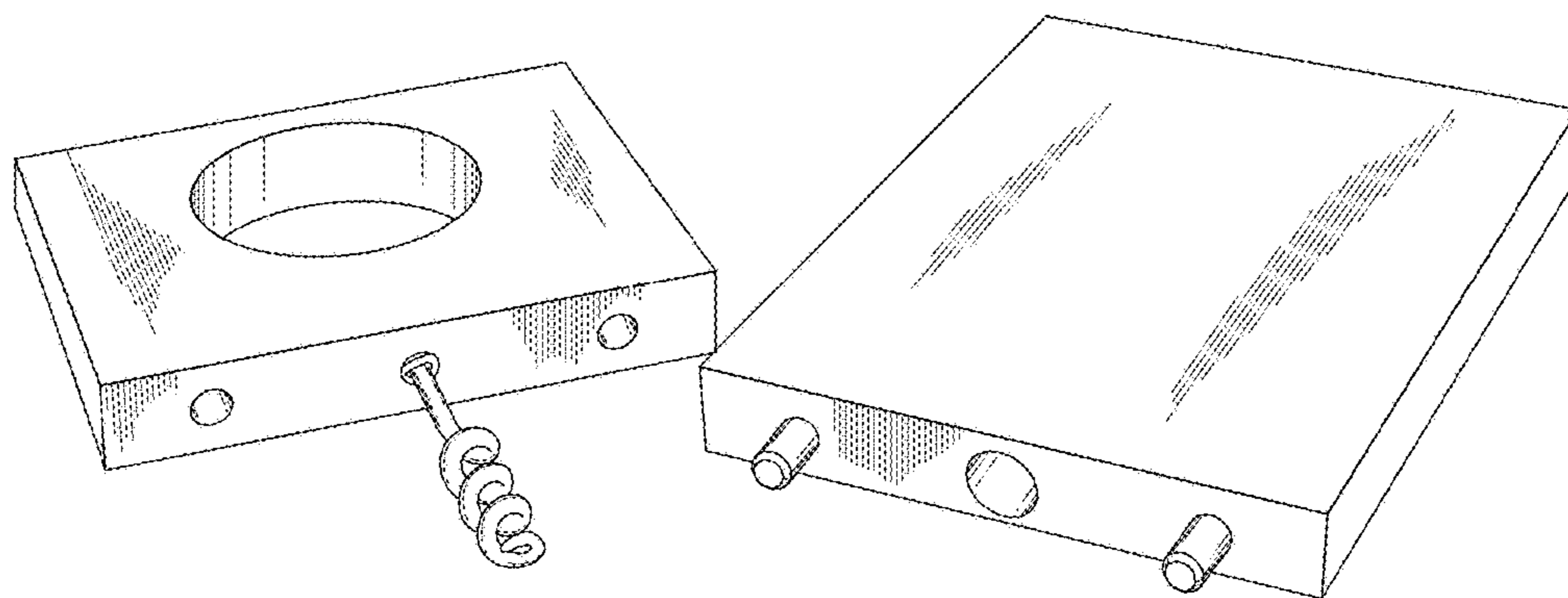
**FIG. 5**



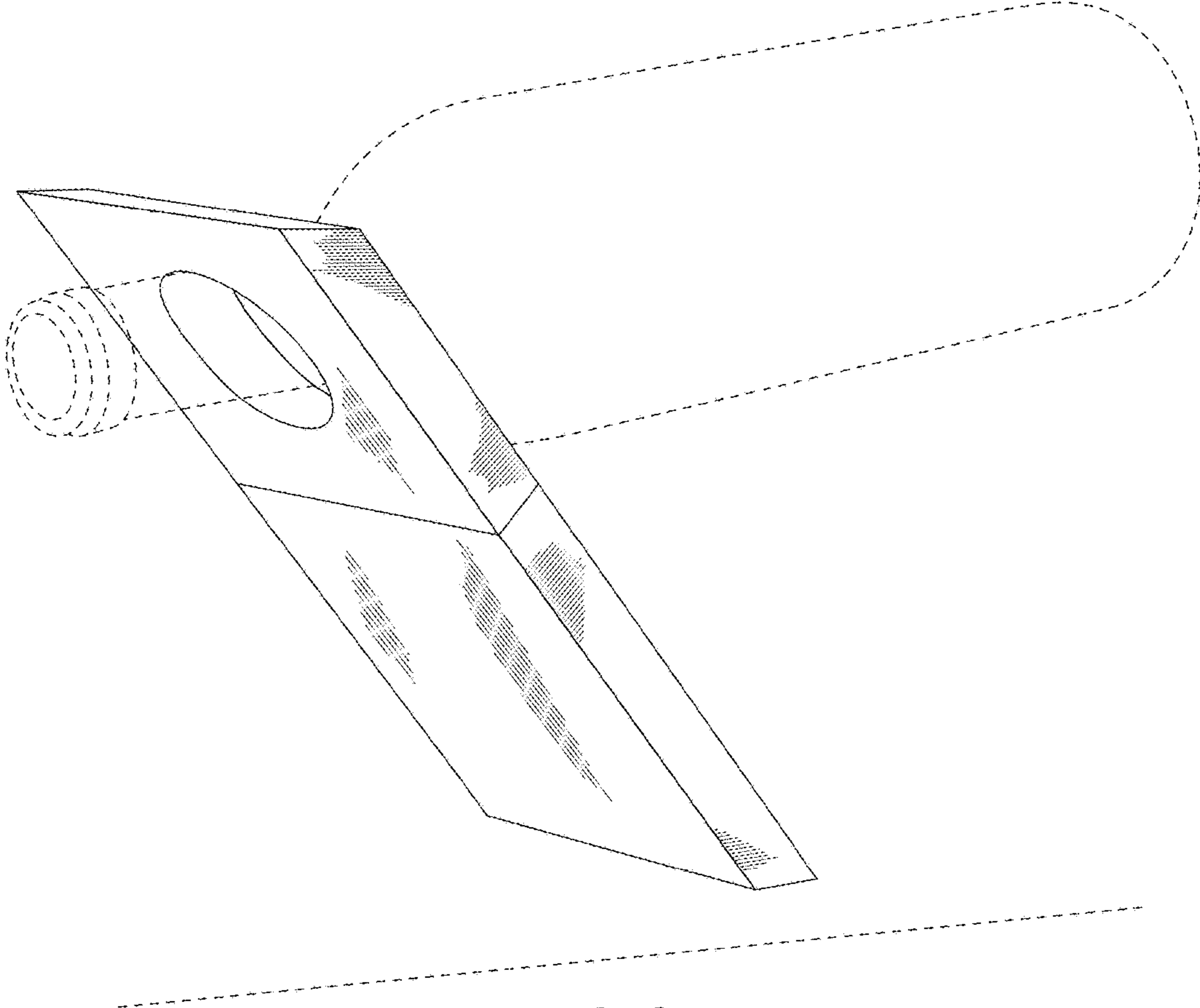
**FIG. 6**



**FIG. 7**



**FIG. 8**



**FIG. 9**