



US00D790284S

(12) **United States Design Patent**
Collins et al.

(10) **Patent No.:** **US D790,284 S**
(45) **Date of Patent:** **** Jun. 27, 2017**

(54) **COMBINATION ICE COOLER AND FISHING CADDY**

(71) Applicants: **Gene Collins**, Houston, TX (US); **Willy Wilson Collins**, Houston, TX (US)

(72) Inventors: **Gene Collins**, Houston, TX (US); **Willy Wilson Collins**, Houston, TX (US)

(**) Term: **15 Years**

(21) Appl. No.: **29/573,226**

(22) Filed: **Aug. 3, 2016**

(51) **LOC (10) Cl.** **07-01**

(52) **U.S. Cl.**

USPC **D7/605**

(58) **Field of Classification Search**

USPC D7/605-608; D15/83; D3/294, 272, 273
CPC ... A45C 11/20; F25D 3/08; F25D 3/14; F25D
2331/804; B65D 81/3823; B65D 81/38;
A47J 41/022; A47G 19/2288; B62B
3/007; B62B 3/00; B62B 7/12; B62B
1/125; B62B 2202/404; B62B 5/067;
B62B 5/0083; B62B 1/12; A47C 7/62

See application file for complete search history.

(56) **References Cited**

U.S. PATENT DOCUMENTS

4,581,902 A * 4/1986 Starck A45C 9/00
190/11
D353,304 S * 12/1994 Friedrich D7/605
5,373,708 A * 12/1994 Dumoulin, Jr. A45C 5/146
280/30

D375,022 S * 10/1996 Smith D7/605
D415,658 S * 10/1999 Frehse D7/605
D429,606 S * 8/2000 Israel D7/605
6,554,012 B2 * 4/2003 Patarra A45B 3/00
135/16
D514,891 S * 2/2006 Garcia D7/605
6,993,931 B1 * 2/2006 Hamilton A45B 23/00
62/371
D587,972 S * 3/2009 Dorisca D7/605
D608,158 S * 1/2010 Beal D7/605
D613,560 S * 4/2010 Robichaud D7/605
D646,528 S * 10/2011 Stallman D7/605
D660,885 S * 5/2012 Crawford D15/83
8,210,702 B1 * 7/2012 Sandberg F25D 27/005
362/101

* cited by examiner

Primary Examiner — Terry Wallace

(74) *Attorney, Agent, or Firm* — RG Patent Consulting, LLC; Rachel Gilboy

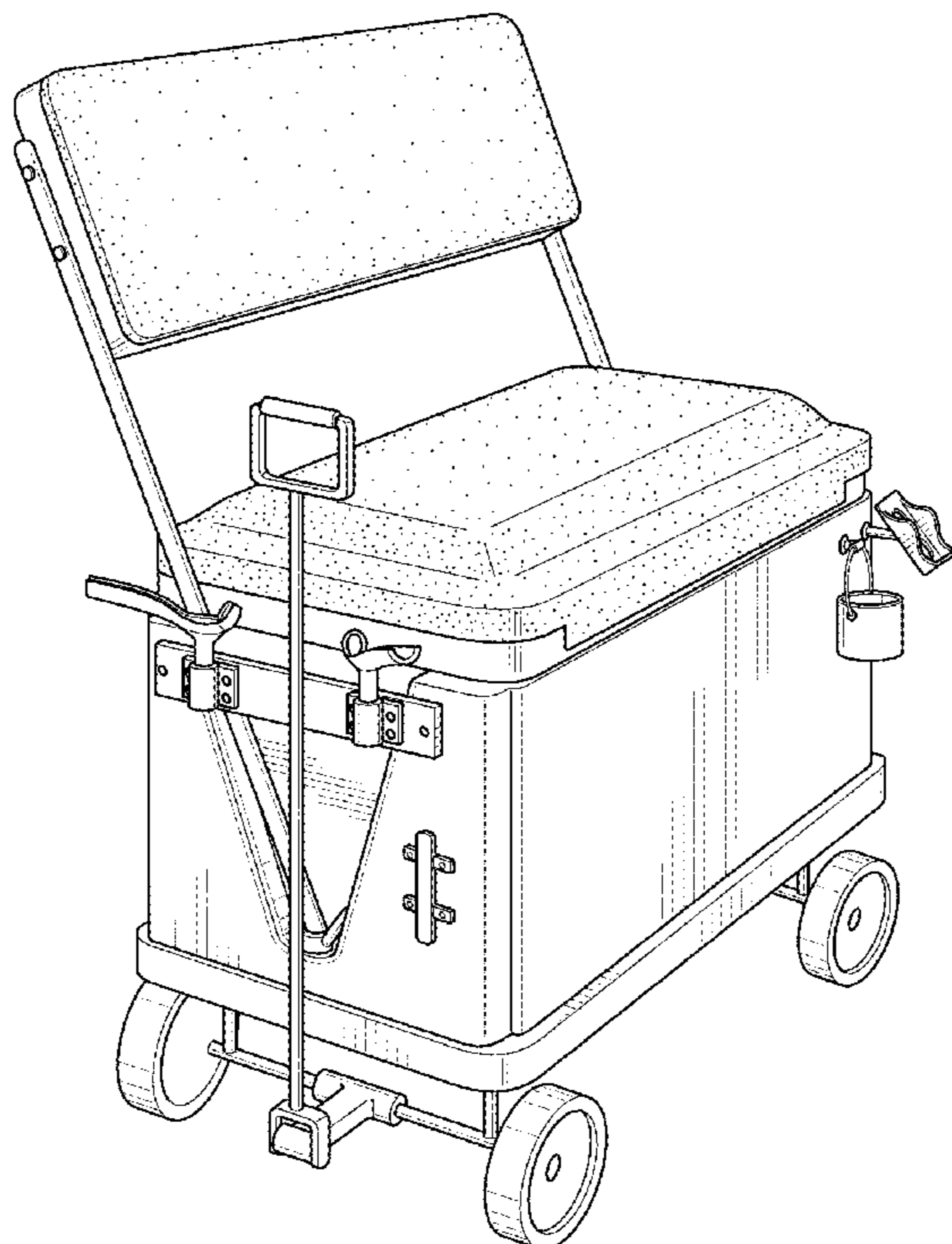
(57) **CLAIM**

The ornamental design for a combination ice cooler and fishing caddy, as shown and described.

DESCRIPTION

FIG. 1 is a front perspective view of the combination ice cooler and fishing caddy showing my new design; FIG. 2 is a front elevation view thereof; FIG. 3 is a rear elevation view thereof; FIG. 4 is a left side view thereof; FIG. 5 is a right side view thereof; FIG. 6 is a top plan view thereof; and, FIG. 7 is a bottom plan view thereof.

1 Claim, 6 Drawing Sheets



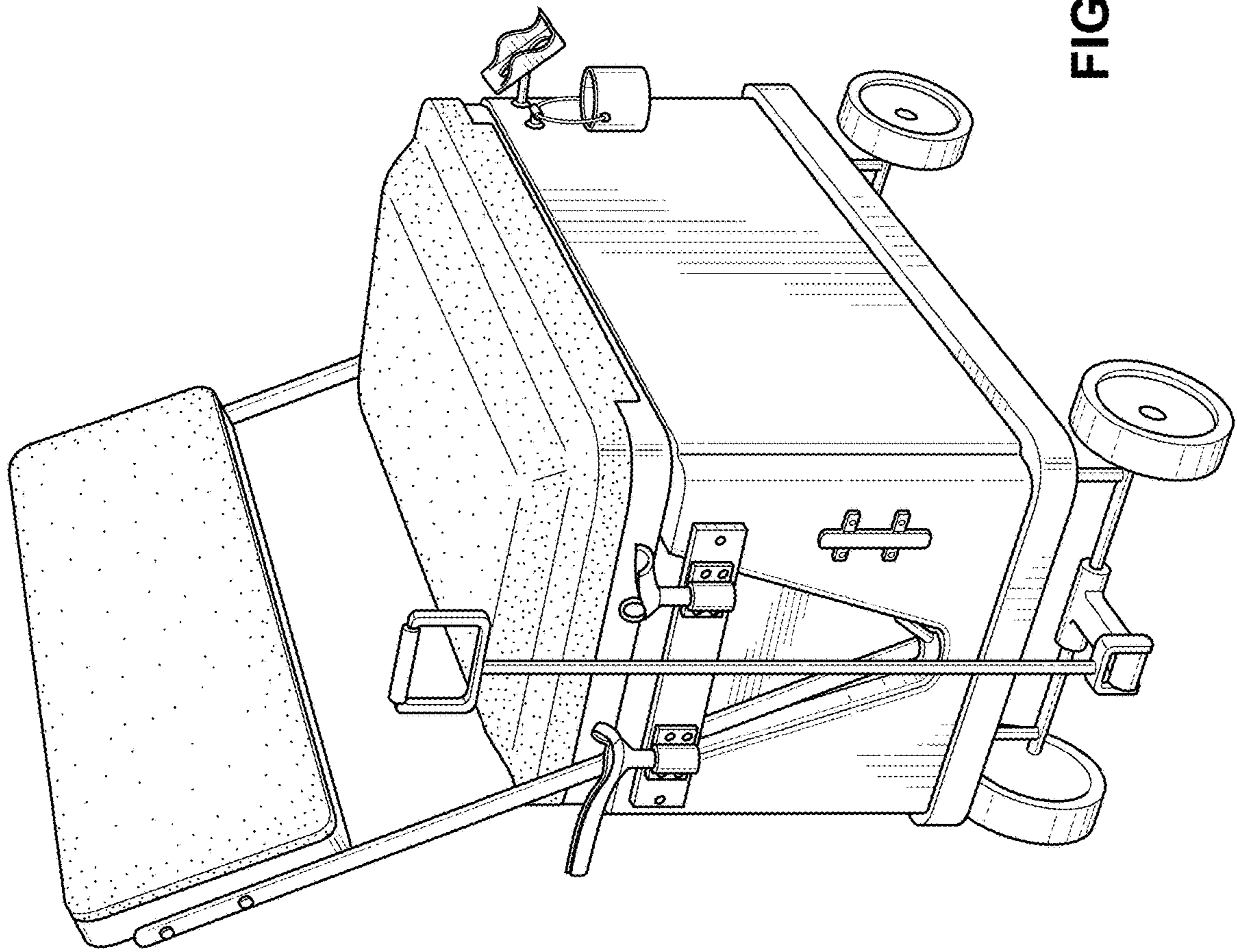


FIG. 1

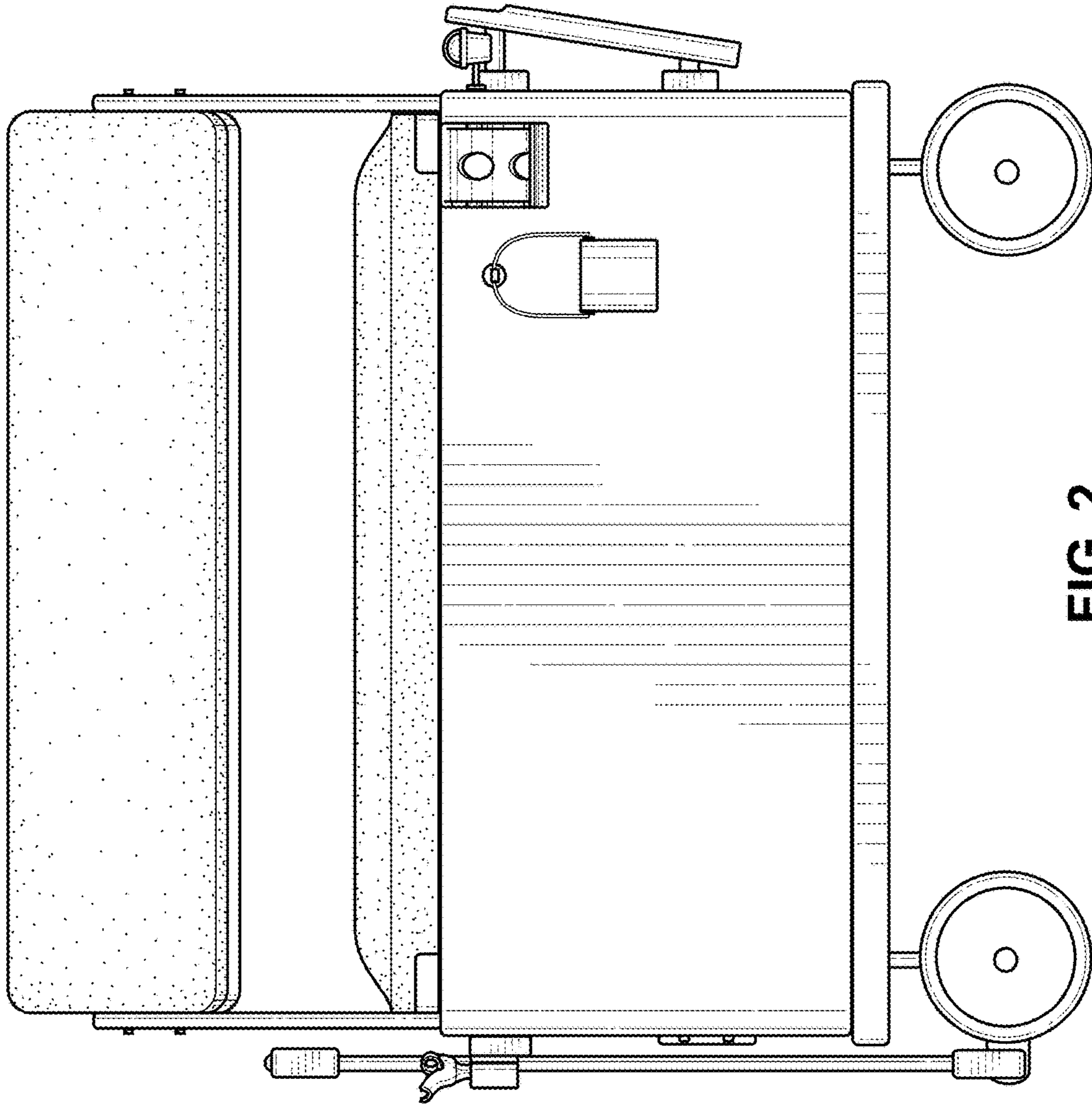


FIG. 2

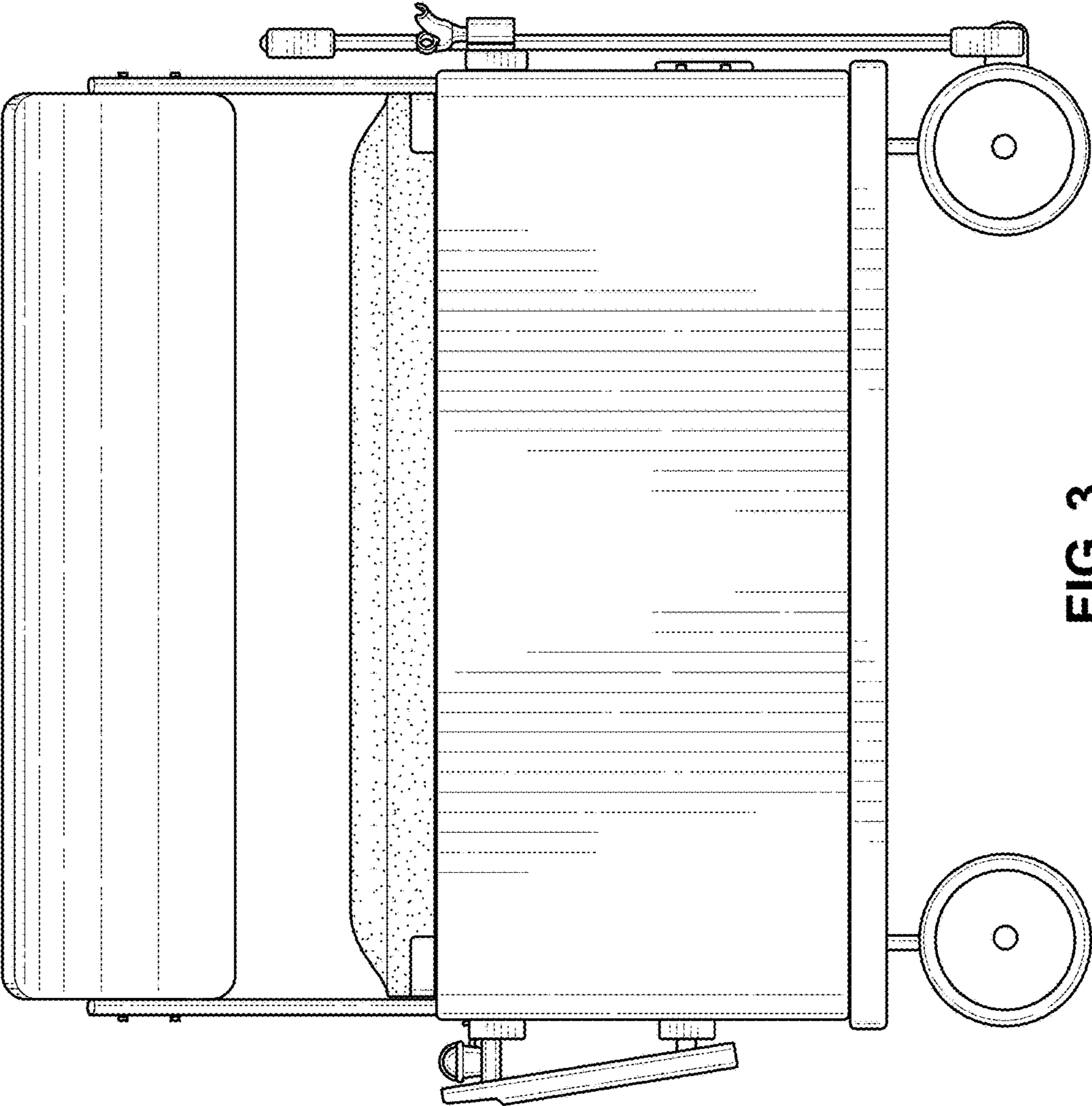


FIG. 3

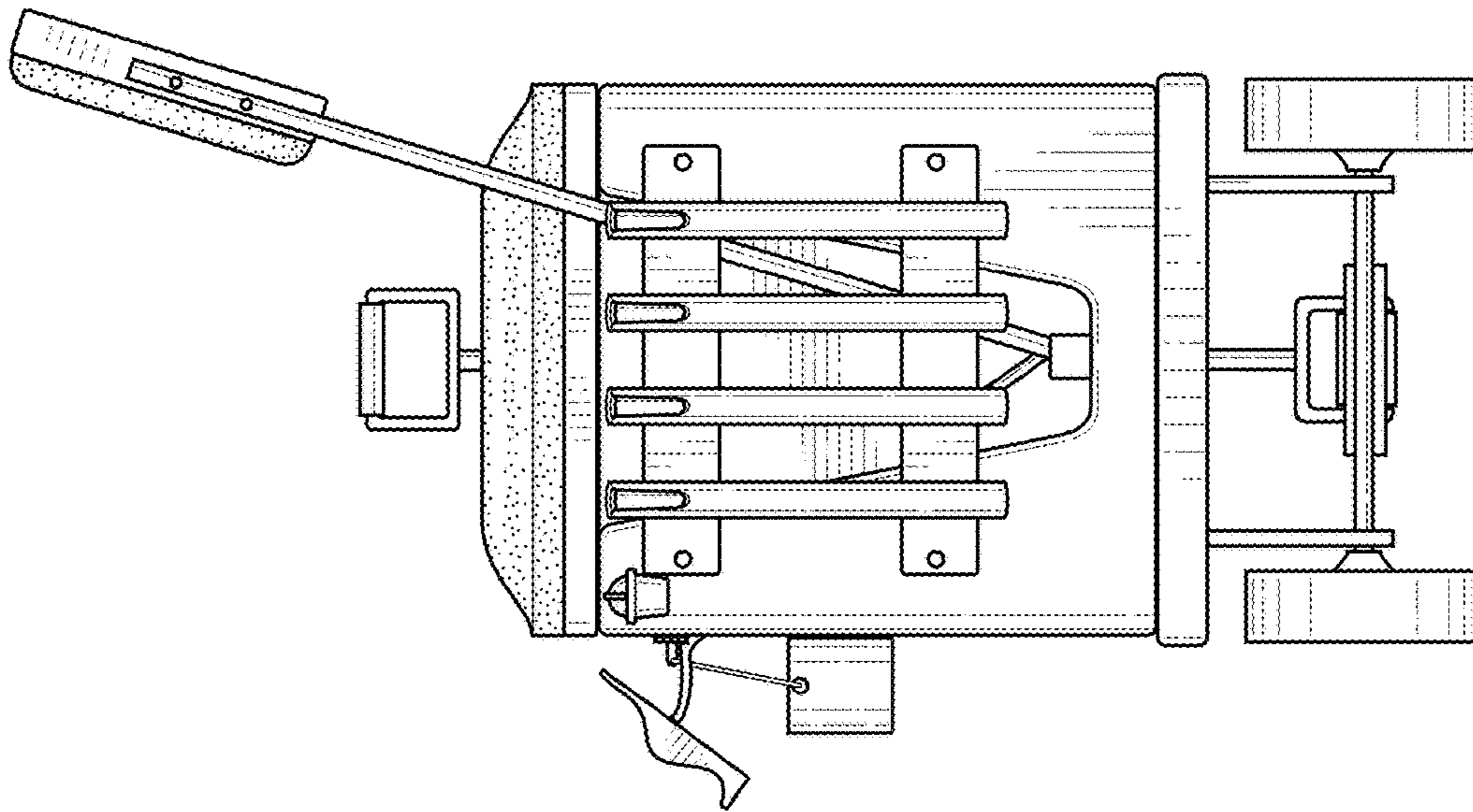


FIG. 5

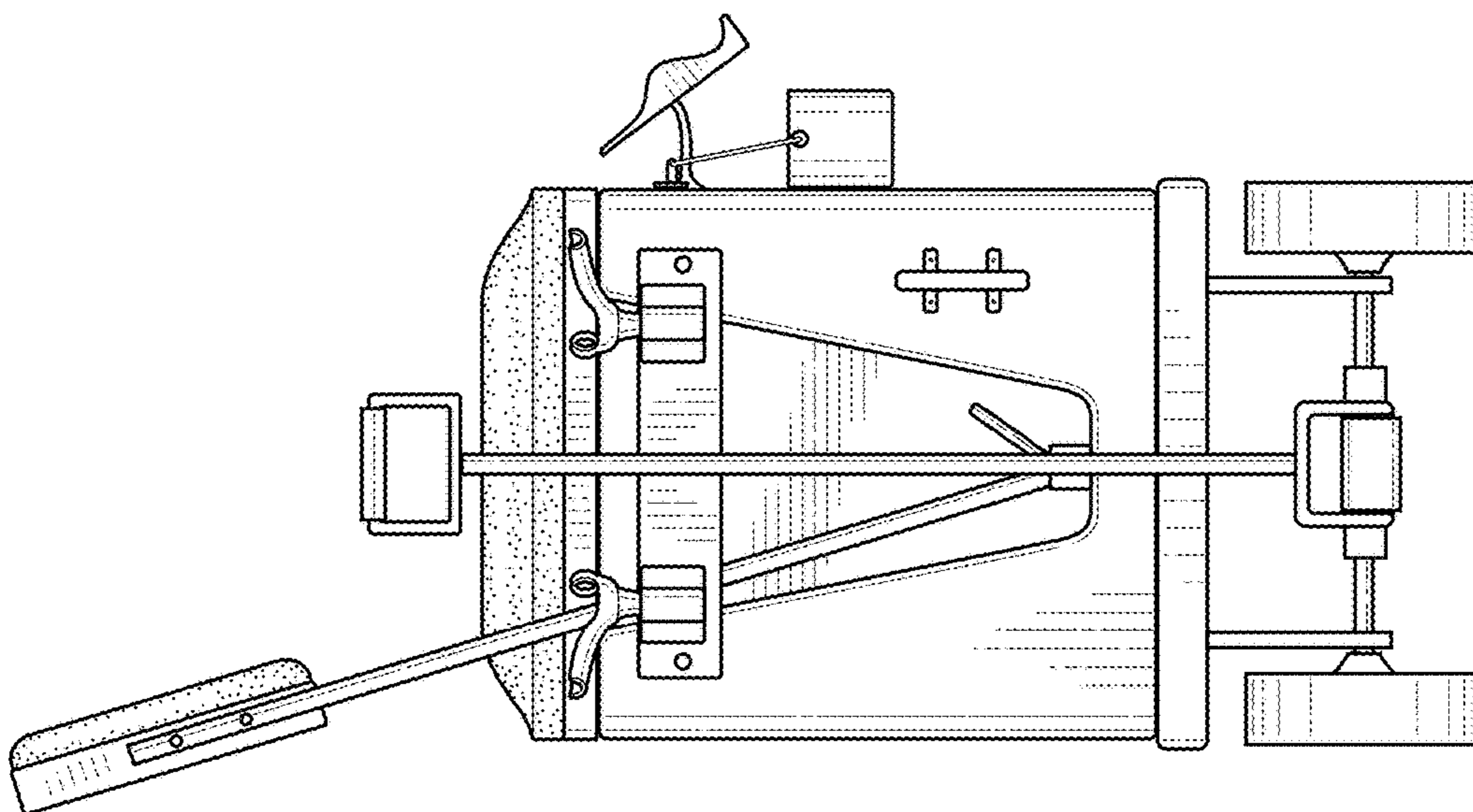


FIG. 4

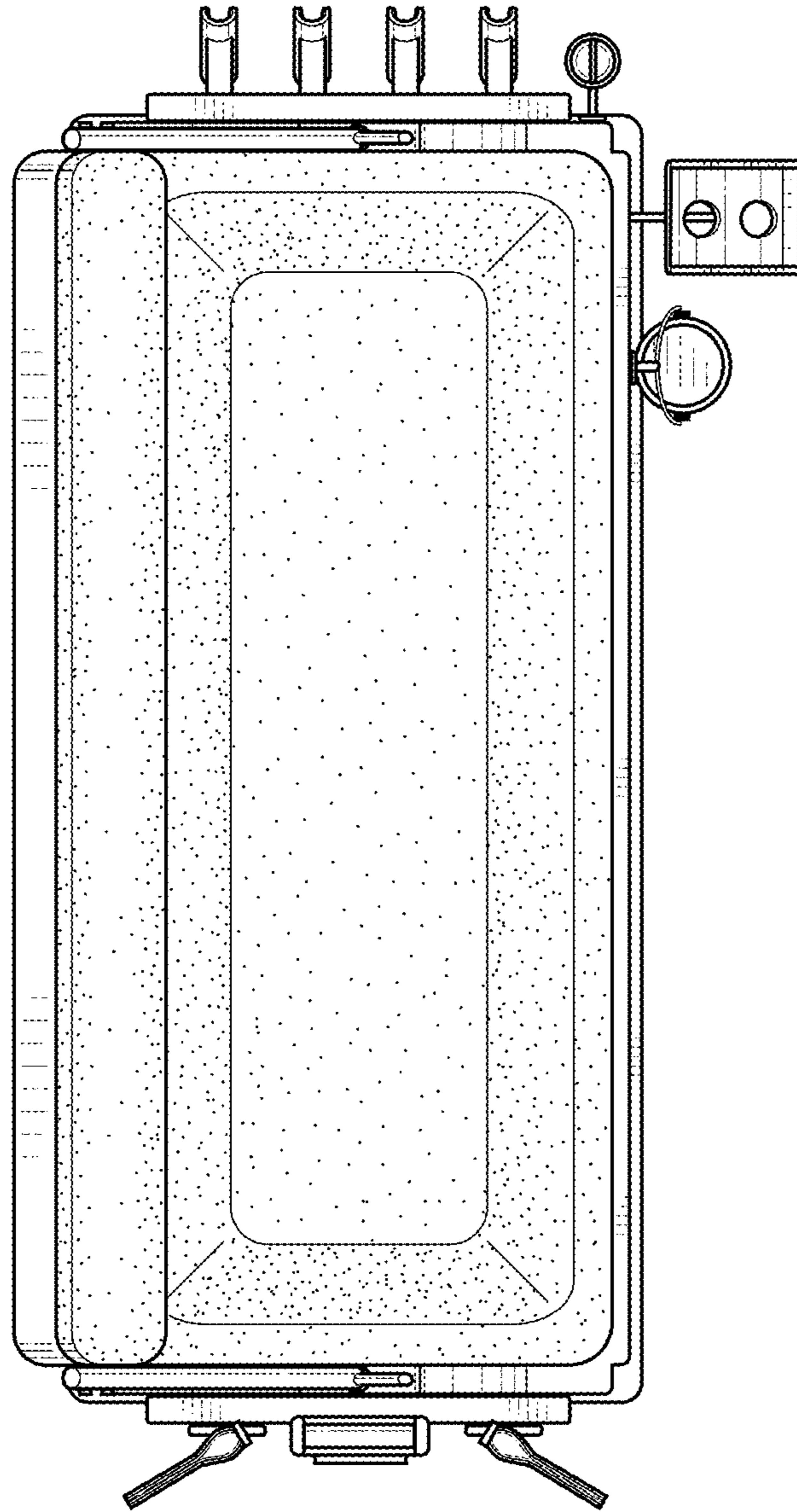


FIG. 6

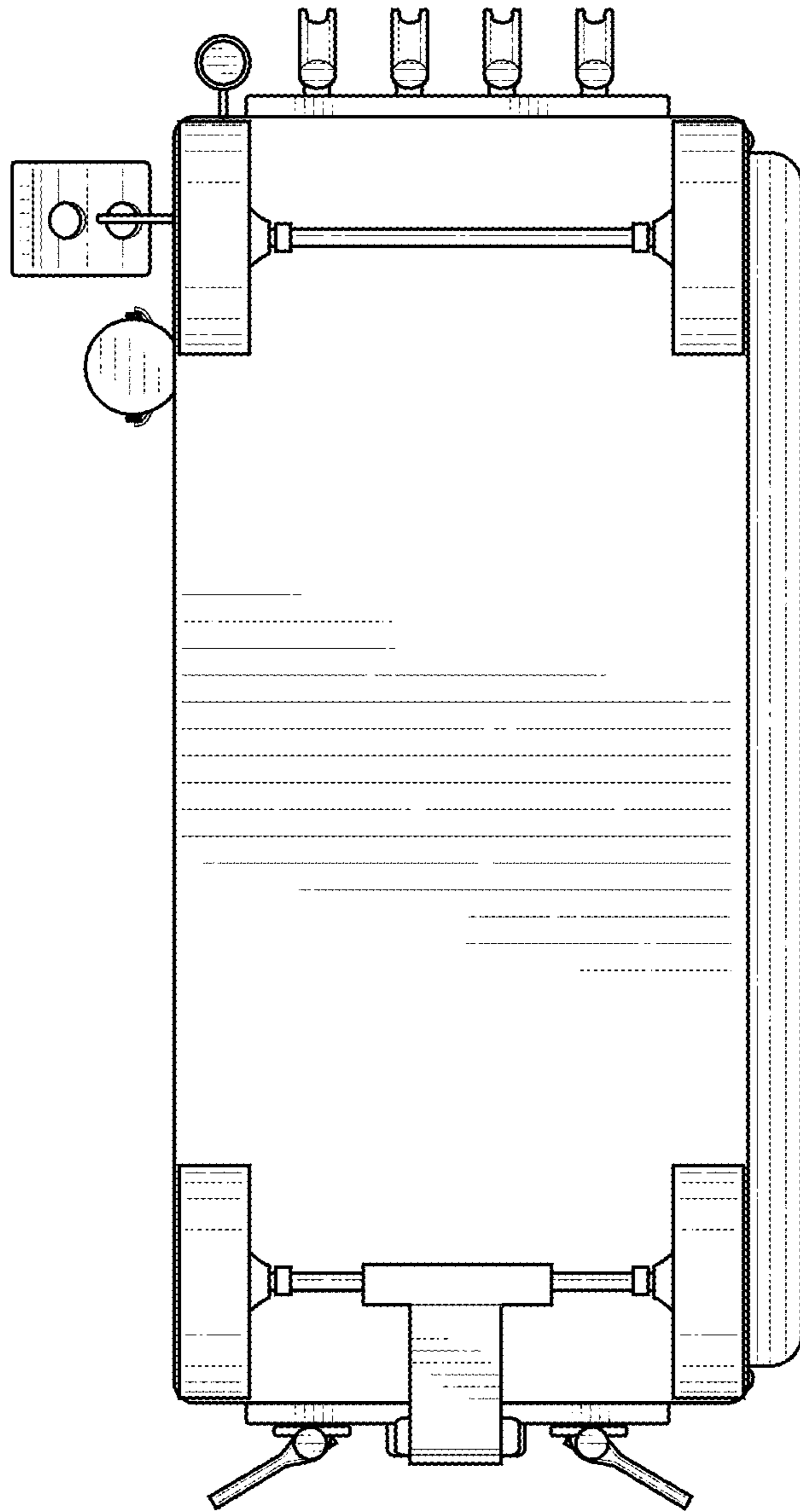


FIG. 7