



US00D790282S

(12) **United States Design Patent**  
**Price et al.**

(10) **Patent No.:** **US D790,282 S**  
(45) **Date of Patent:** **\*\* Jun. 27, 2017**

- (54) **FOOTBALL FLASK**
- (71) Applicant: **Footbottles, LLC**, Menlo Park, CA  
(US)
- (72) Inventors: **Travis Elliot Price**, Menlo Park, CA  
(US); **Jack Mulroe**, Menlo Park, CA  
(US)
- (73) Assignee: **Footbottles, LLC**, Menlo Park, CA  
(US)
- (\*\*) Term: **15 Years**
- (21) Appl. No.: **29/564,103**
- (22) Filed: **May 10, 2016**
- (51) **LOC (10) Cl.** ..... **07-01**
- (52) **U.S. Cl.**  
USPC ..... **D7/564; D7/901; D7/613; D9/668**
- (58) **Field of Classification Search**  
USPC ..... **D7/558, 559, 599, 514, 515, 518, 521,**  
**D7/901, 606, 613, 601, 602, 556, 564;**  
**D11/149; D6/512, 665; D9/668;**  
**206/233; 220/630**  
CPC .... **B65D 23/001; B65D 81/261; B65D 43/18;**  
**B65D 81/365**  
See application file for complete search history.

- 5,450,979 A \* 9/1995 Servick ..... B65D 81/365  
206/217
- D370,154 S \* 5/1996 Gruneisen, III ..... D7/301
- D371,934 S \* 7/1996 Cwirko ..... D7/511
- 5,662,241 A \* 9/1997 Sorensen ..... B65D 23/001  
220/630
- D411,715 S \* 6/1999 Hansen ..... D7/606
- D424,375 S \* 5/2000 D'Arrigo ..... D7/510
- D424,876 S \* 5/2000 McPartland ..... D7/510
- D425,706 S \* 5/2000 Calderone ..... D3/200
- D425,757 S \* 5/2000 Printz ..... D7/510
- D511,212 S \* 11/2005 Whalen ..... D24/197
- D518,596 S \* 4/2006 Angeletta ..... D28/7
- D541,552 S \* 5/2007 Weldon ..... D3/271.9
- D565,288 S \* 4/2008 Hickman ..... D3/201
- D575,079 S \* 8/2008 Hirsh ..... D6/665

(Continued)

*Primary Examiner* — Marianne Pandozzi  
(74) *Attorney, Agent, or Firm* — Fenwick & West LLP

(57) **CLAIM**

The ornamental design for a football flask, as shown and described.

**DESCRIPTION**

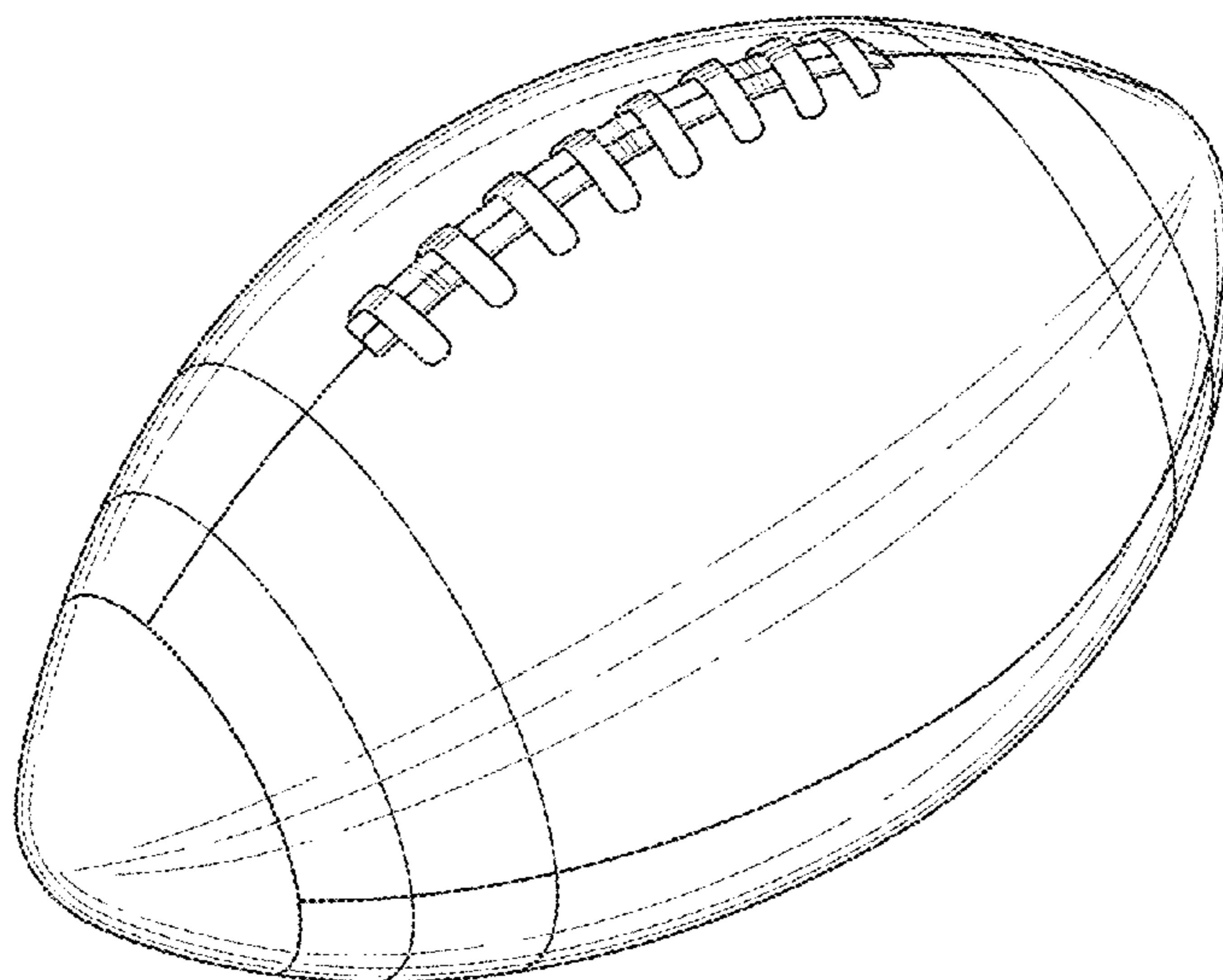
FIG. 1 is a front and right perspective view of a first embodiment of a football flask;  
 FIG. 2 is a first front and right perspective view of a main body and cap thereof;  
 FIG. 3 is a second front and right perspective view of a main body and cap thereof;  
 FIG. 4 is a top plan view thereof;  
 FIG. 5 is a bottom plan view thereof;  
 FIG. 6 is a left view thereof;  
 FIG. 7 is a right view thereof; and,  
 FIG. 8 is an exploded perspective view thereof.  
 The broken lines in the drawings showing portions of the football flask are included for the purpose of illustrating environmental structure and form no part of the claimed design.

**1 Claim, 6 Drawing Sheets**

(56) **References Cited**

U.S. PATENT DOCUMENTS

- 3,624,939 A \* 12/1971 Gossard ..... A47G 1/12  
206/0.84
- D228,328 S \* 9/1973 Schley ..... D21/712
- 4,164,284 A \* 8/1979 Witt ..... B65D 81/3846  
206/217
- D266,436 S \* 10/1982 Smith ..... D10/2
- D275,922 S \* 10/1984 Weil ..... D7/564
- D323,602 S \* 2/1992 Katz ..... D7/316
- D340,078 S \* 10/1993 Turner ..... D11/149
- D351,656 S \* 10/1994 Collins ..... D24/198



(56)

References Cited

U.S. PATENT DOCUMENTS

D587,968	S *	3/2009	Campbell	.....	D7/510
D604,086	S *	11/2009	Lipinski	.....	D7/301
D611,777	S *	3/2010	Yung	.....	D7/613
D621,657	S *	8/2010	Quinn	.....	D7/507
D623,905	S *	9/2010	Paslowski	.....	D7/606
D627,233	S *	11/2010	Blakeman	.....	D9/668
D629,696	S *	12/2010	Pedmo	.....	D9/541
7,954,634	B2 *	6/2011	Blakeman	.....	B65D 43/18 206/233
D666,048	S *	8/2012	Kasswran	.....	D7/301
D666,919	S *	9/2012	Gelin	.....	D9/668
8,684,397	B2 *	4/2014	Blakeman	.....	A45C 5/08 280/30
D710,152	S *	8/2014	Marini	.....	D7/515
D710,154	S *	8/2014	Marini	.....	D7/515
D711,690	S *	8/2014	Sutton	.....	D7/625
D714,868	S *	10/2014	Nash	.....	D19/86
D720,926	S *	1/2015	Kroupa	.....	D3/264
D724,901	S *	3/2015	Sherron	.....	D7/624.2
D724,902	S *	3/2015	Dickerson	.....	D7/625
9,408,779	B2 *	8/2016	Stewart	.....	A61J 9/0607
D775,913	S *	1/2017	Knirr	.....	D8/38
2013/0087524	A1 *	4/2013	Nuckles	.....	A61J 9/005 215/395

\* cited by examiner

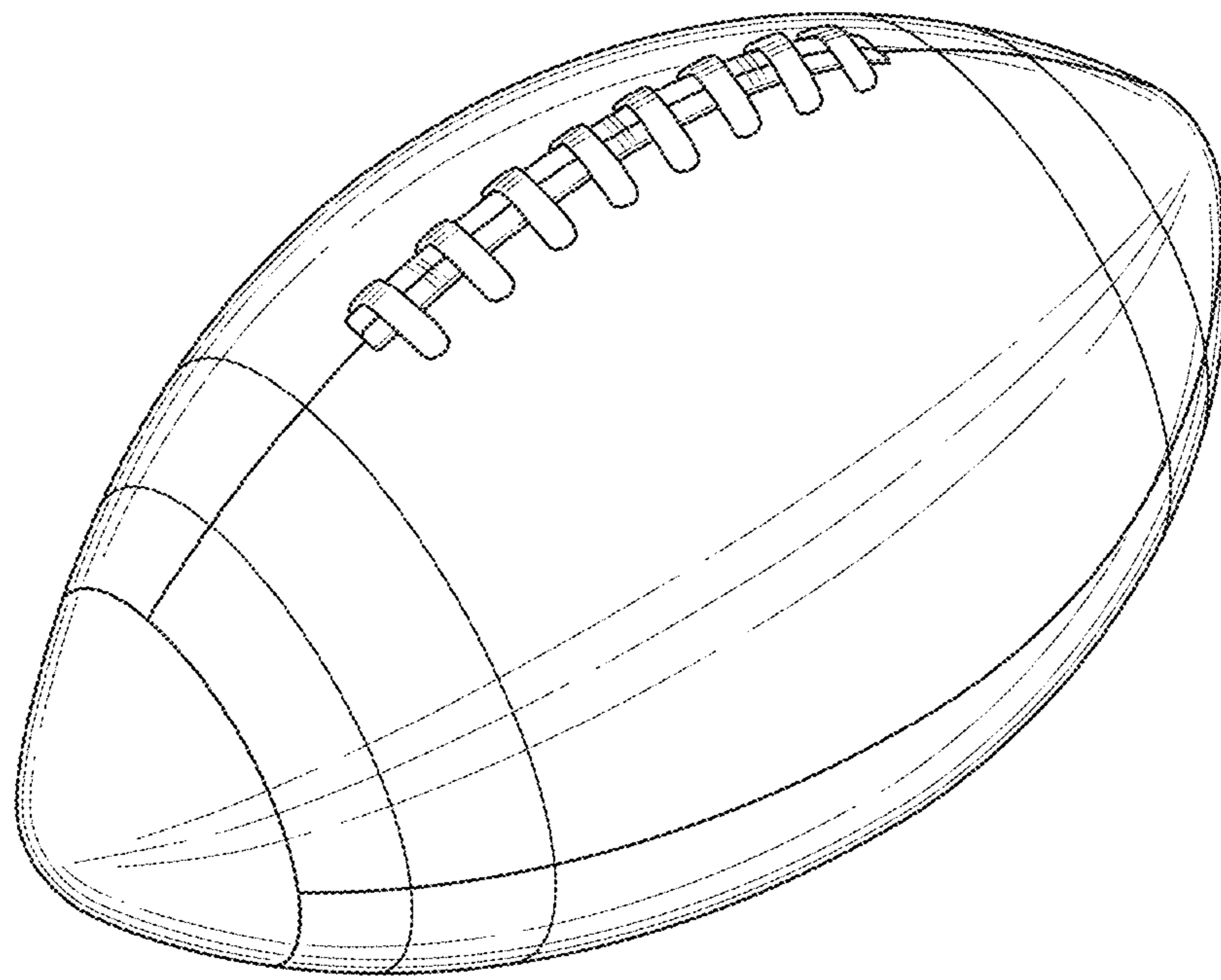


FIG. 1

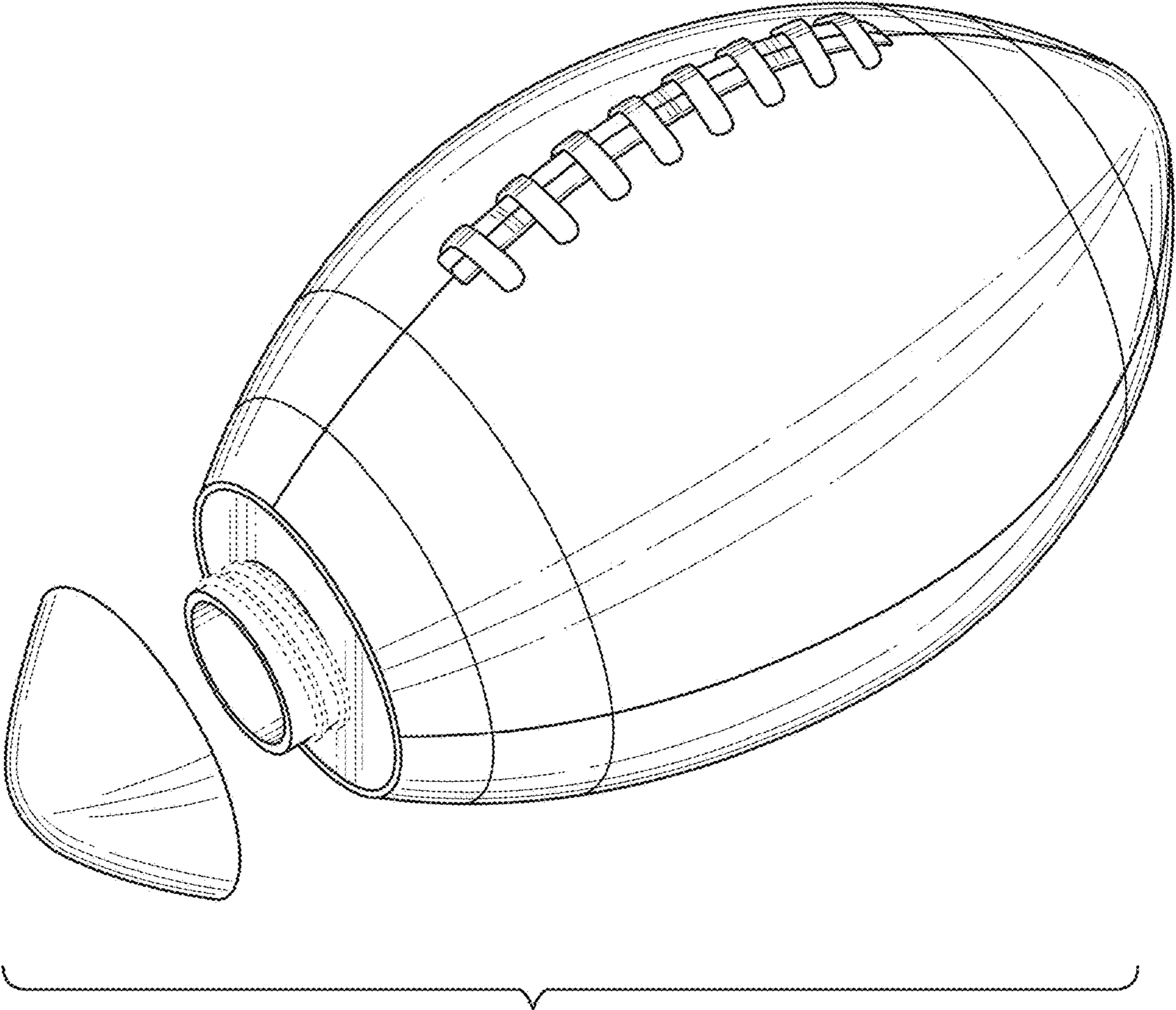


FIG. 2

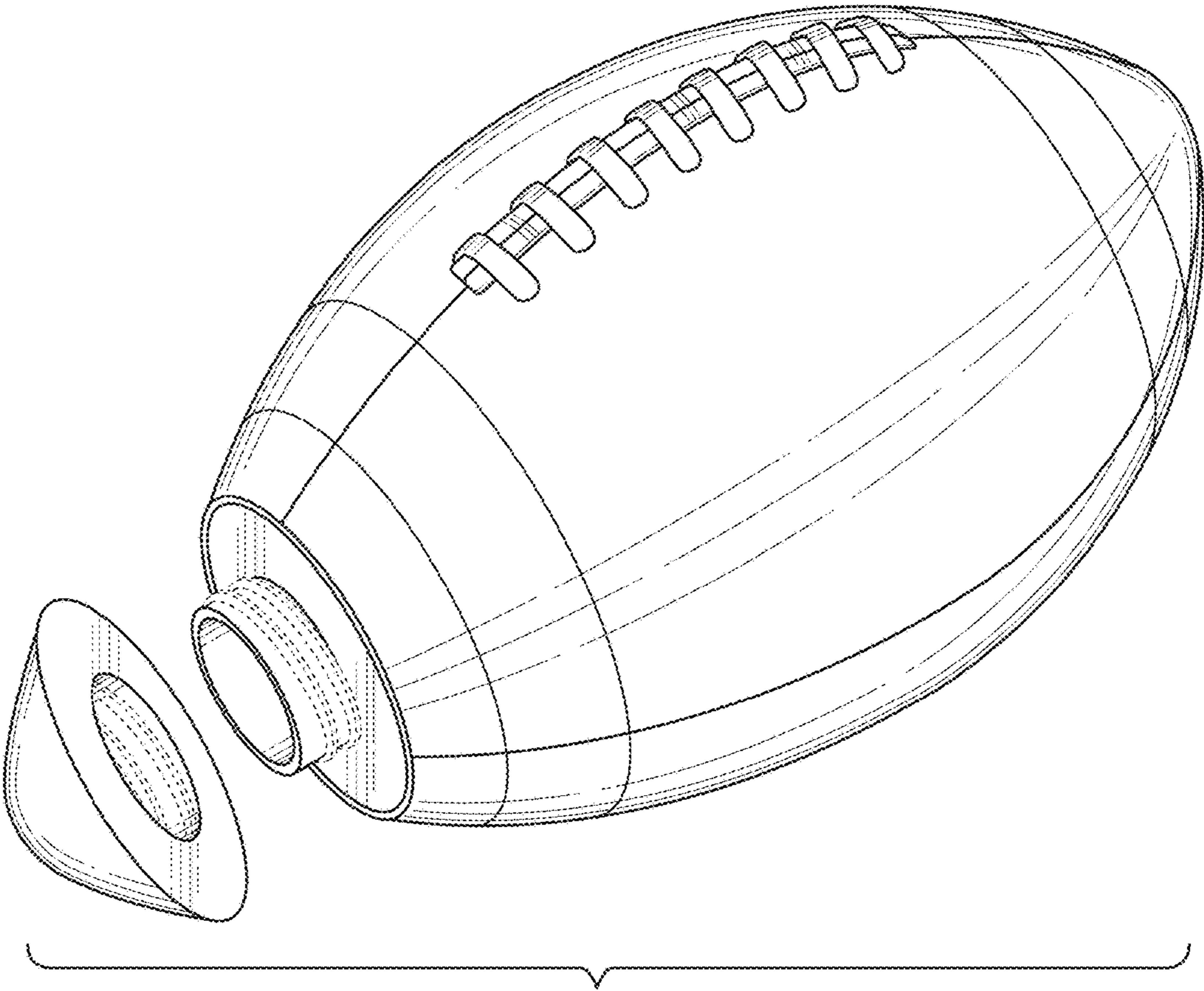


FIG. 3

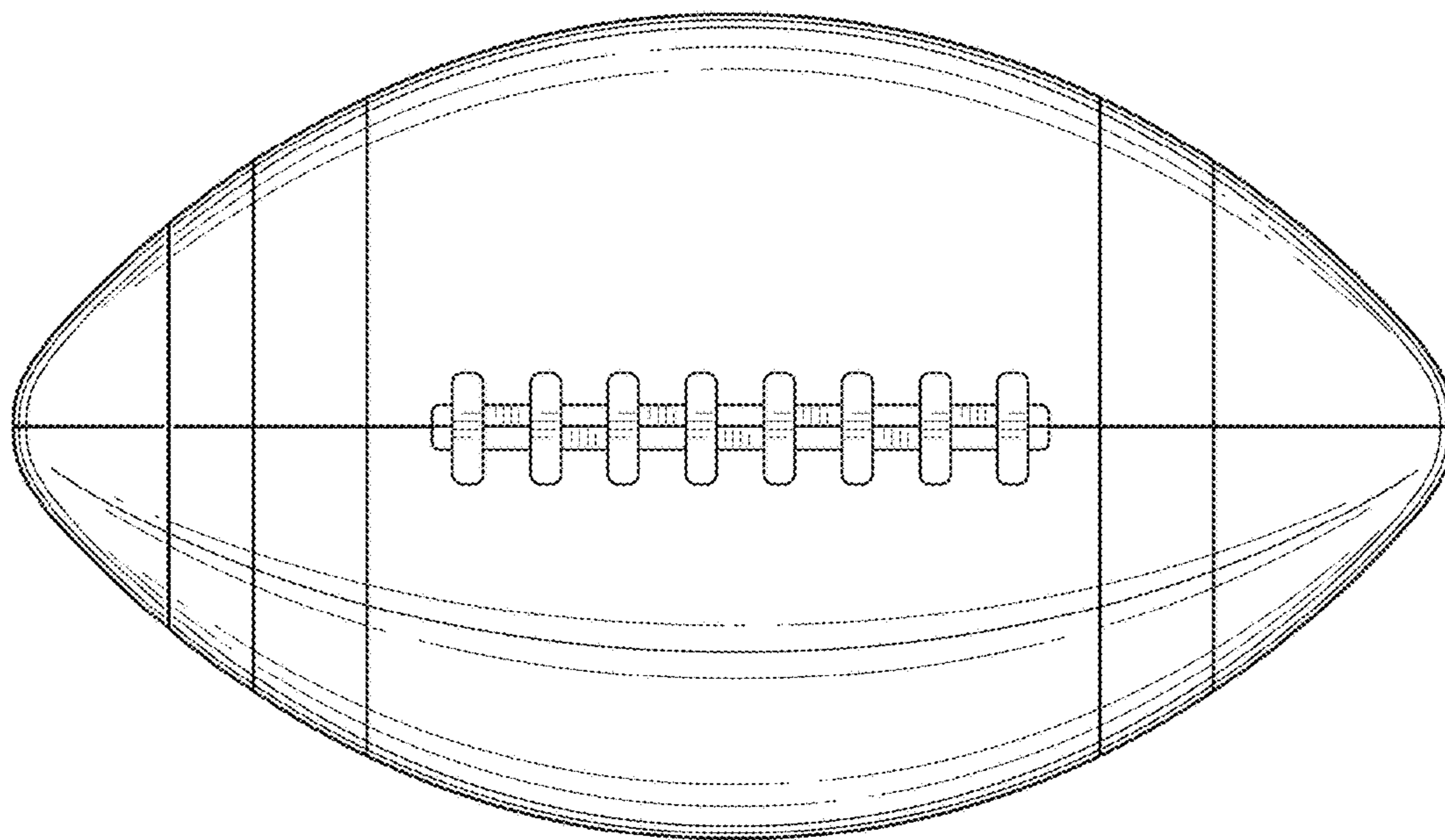


FIG. 4

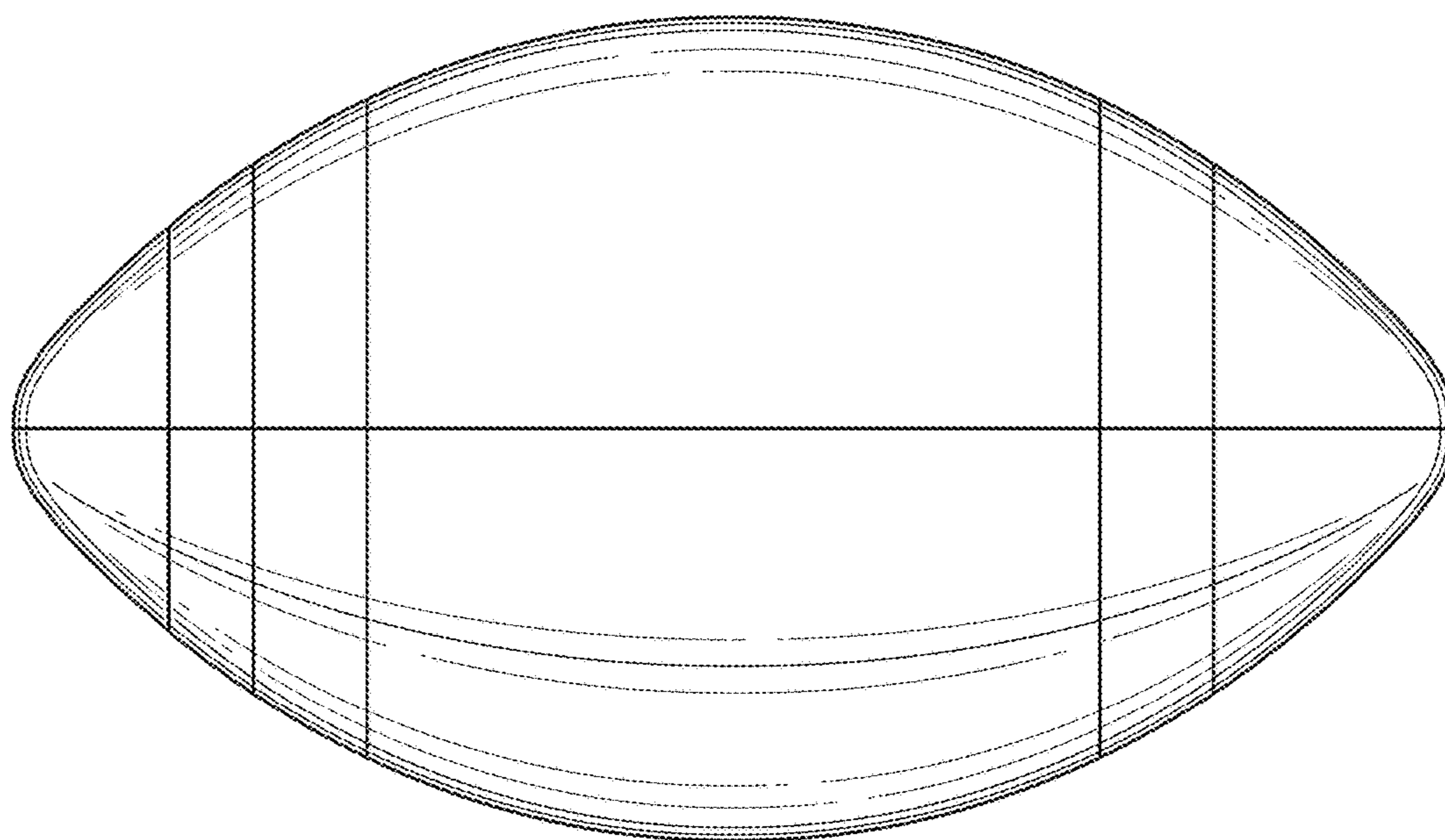


FIG. 5

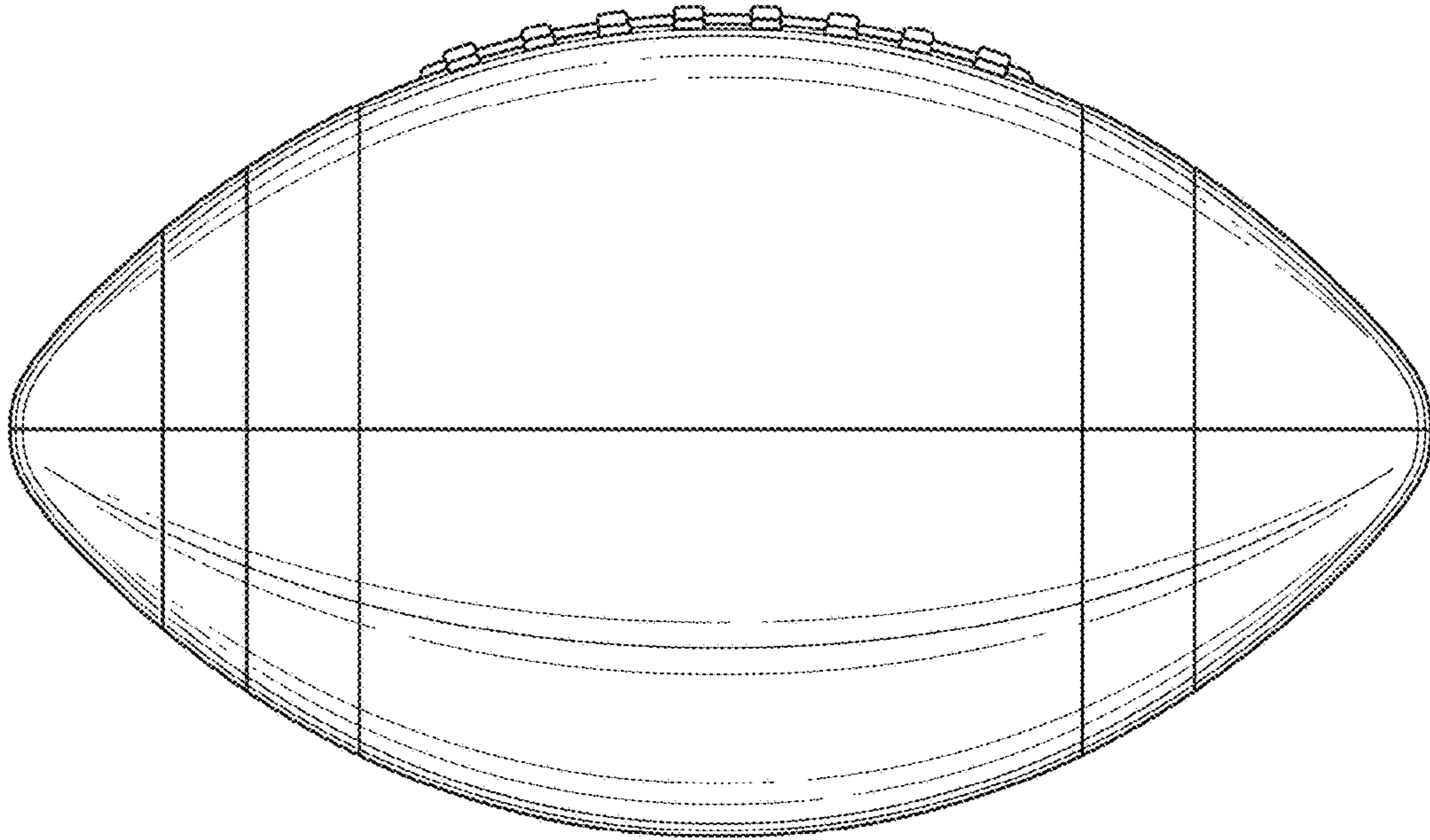


FIG. 6

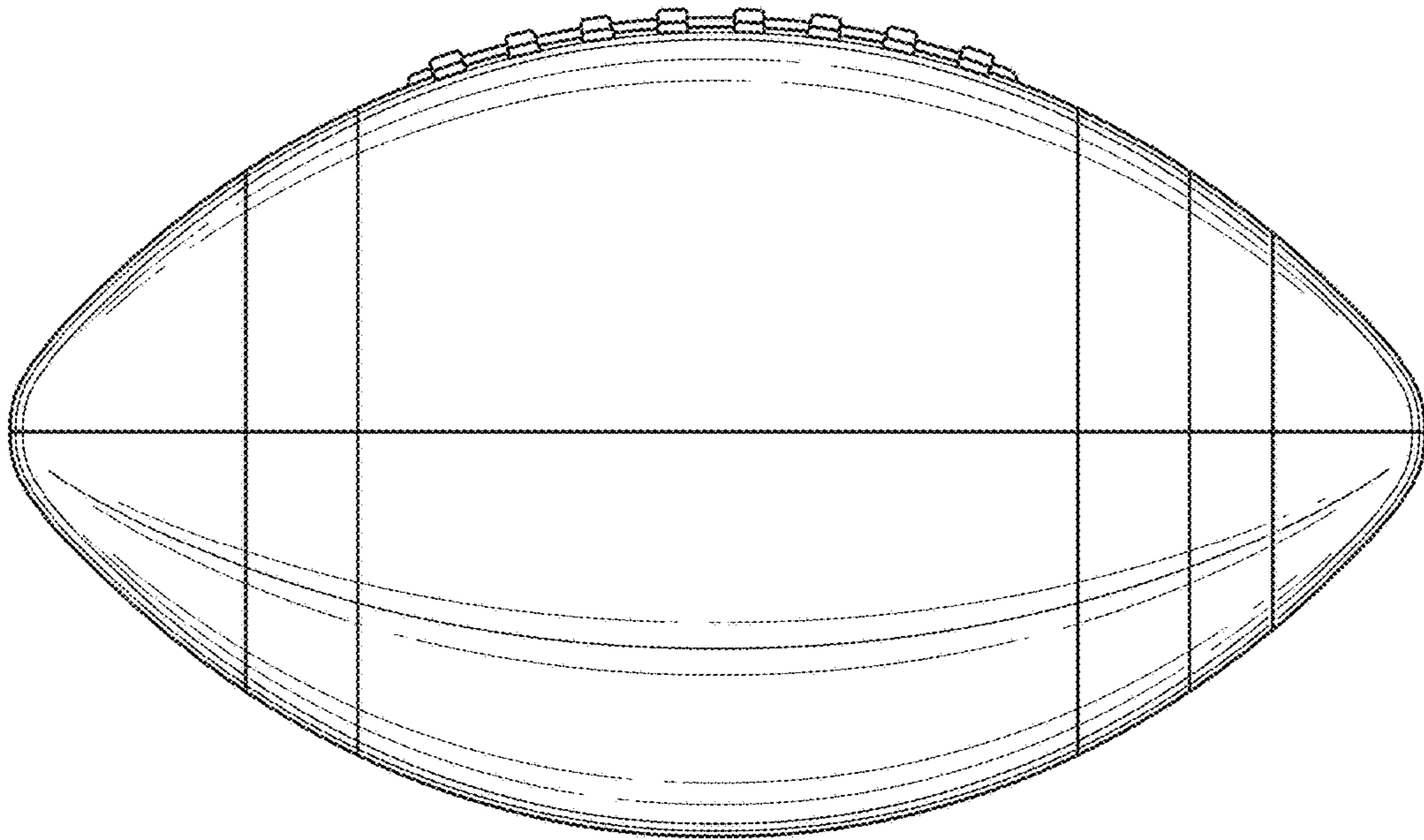


FIG. 7

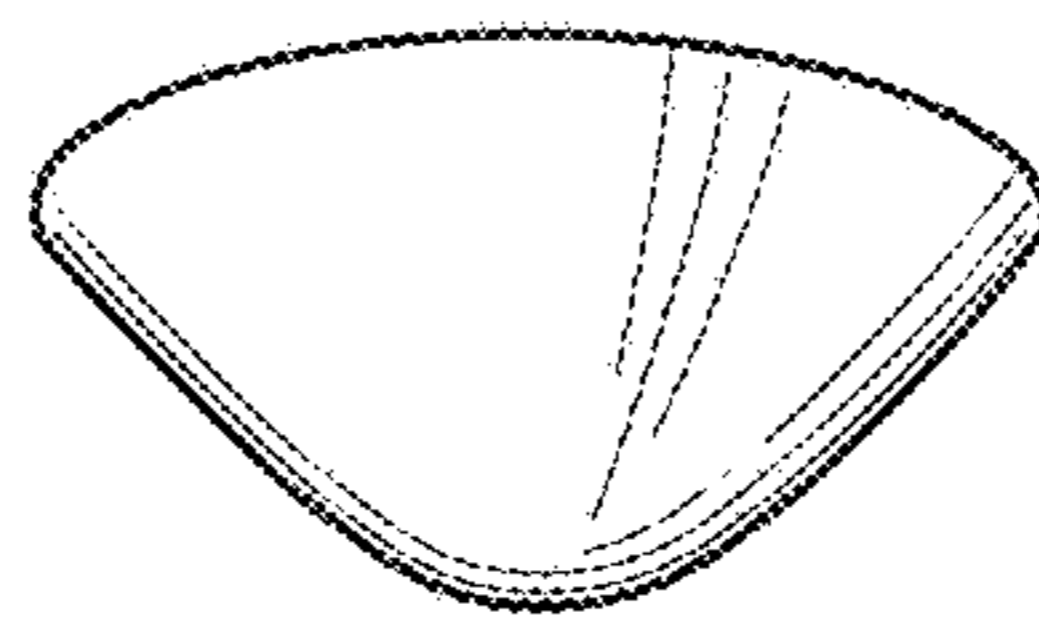
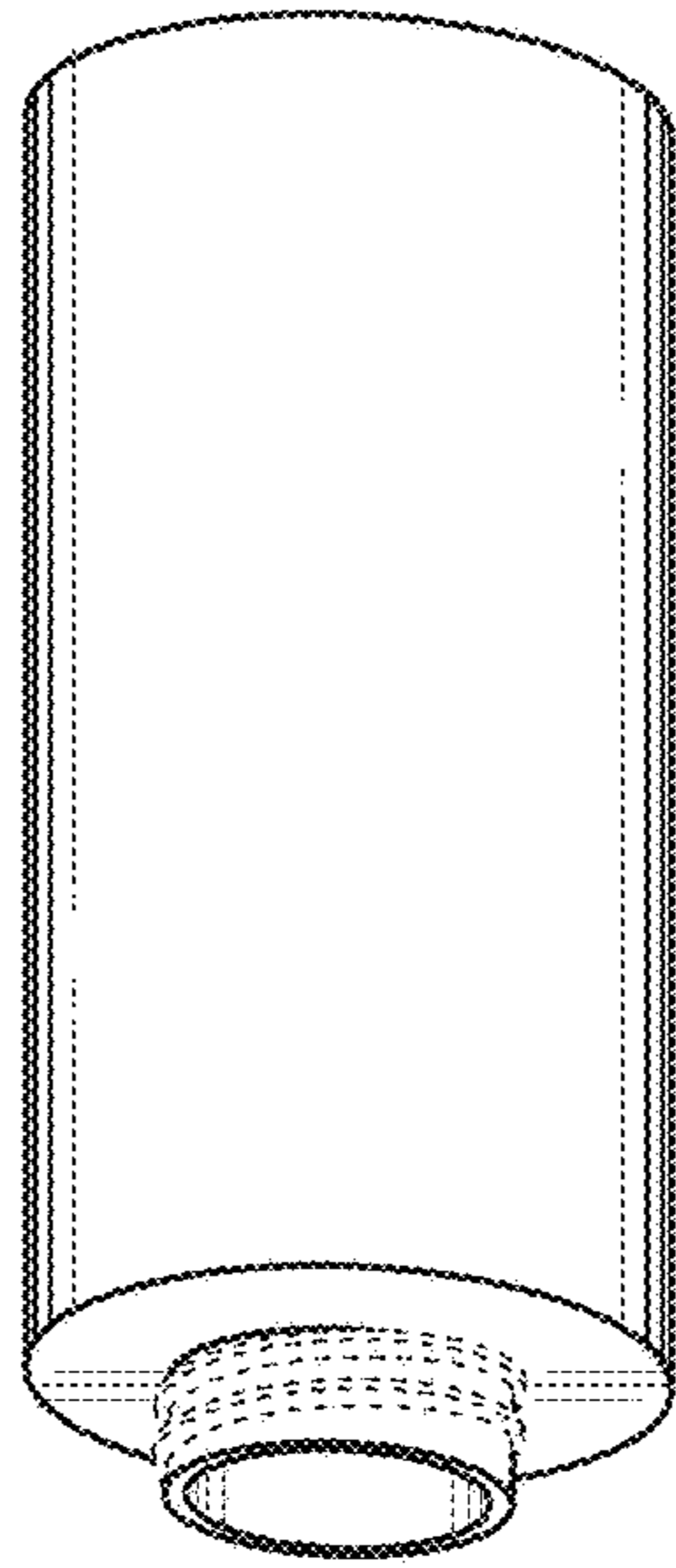
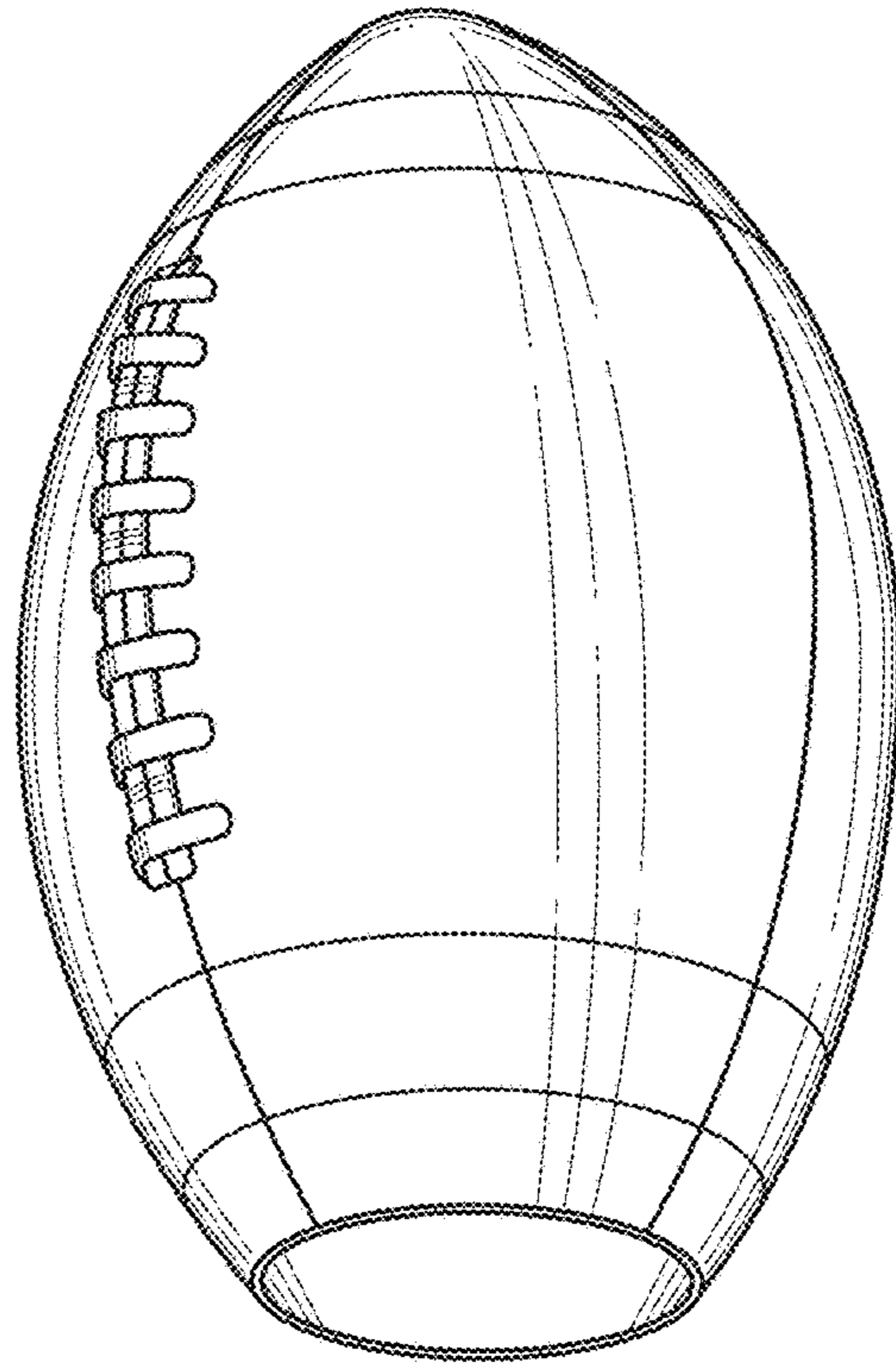


FIG. 8