

US00D790278S

(12) **United States Design Patent** (10) **Patent No.:** **US D790,278 S**
Szymanski (45) **Date of Patent:** **** Jun. 27, 2017**

(54) **CONTAINER**

(71) Applicant: **Aaron Szymanski**, Thomaston, CT (US)

(72) Inventor: **Aaron Szymanski**, Thomaston, CT (US)

(73) Assignee: **IdeaVillage Products Corp.**, Wayne, NJ (US)

(**) Term: **15 Years**

(21) Appl. No.: **29/620,005**

(22) Filed: **May 20, 2016**

(51) **LOC (10) Cl.** **07-01**

(52) **U.S. Cl.**
USPC **D7/510**; D7/511; D7/529; D7/532

(58) **Field of Classification Search**
USPC D7/507, 509, 510, 511, 523, 529, 530, D7/532, 392.1, 396.2, 608, 599, 598, 397, D7/607; D9/444, 567, 552, 554, 555, D9/565, 568, 571; 220/592.16, 592.17, 220/200
CPC A47G 19/22; A47G 19/2205; A45F 3/16; Y10S 220/903

See application file for complete search history.

(56) **References Cited**

U.S. PATENT DOCUMENTS

D407,270 S *	3/1999	Wilson	D7/523
D429,151 S *	8/2000	Cheng	D9/434
D556,513 S *	12/2007	Yelland	D7/516
D596,040 S *	7/2009	Lepoitevin	B65D 1/0223
				D9/520
D618,107 S *	6/2010	Zoppas	D9/541

D620,755 S *	8/2010	Haskell	D7/510
D637,041 S *	5/2011	Haskell	D7/510
D648,985 S *	11/2011	Chiu	D7/510
D655,967 S *	3/2012	Bodum	D7/300.1
D669,736 S *	10/2012	Bodum	D7/510
D701,425 S *	3/2014	Pearson	D7/510
D723,871 S *	3/2015	Khubani	D7/505
D732,895 S *	6/2015	McClellan	D7/529
D755,013 S *	5/2016	Khubani	D7/507
D767,335 S *	9/2016	Khubani	D7/507
D778,112 S *	2/2017	Szymanski	D7/510
D784,079 S *	4/2017	Szymanski	D7/507
D784,080 S *	4/2017	Szymanski	D7/507

* cited by examiner

Primary Examiner — Marianne Pandozzi

Assistant Examiner — Jae Liang

(74) *Attorney, Agent, or Firm* — Dan DeLaRosa

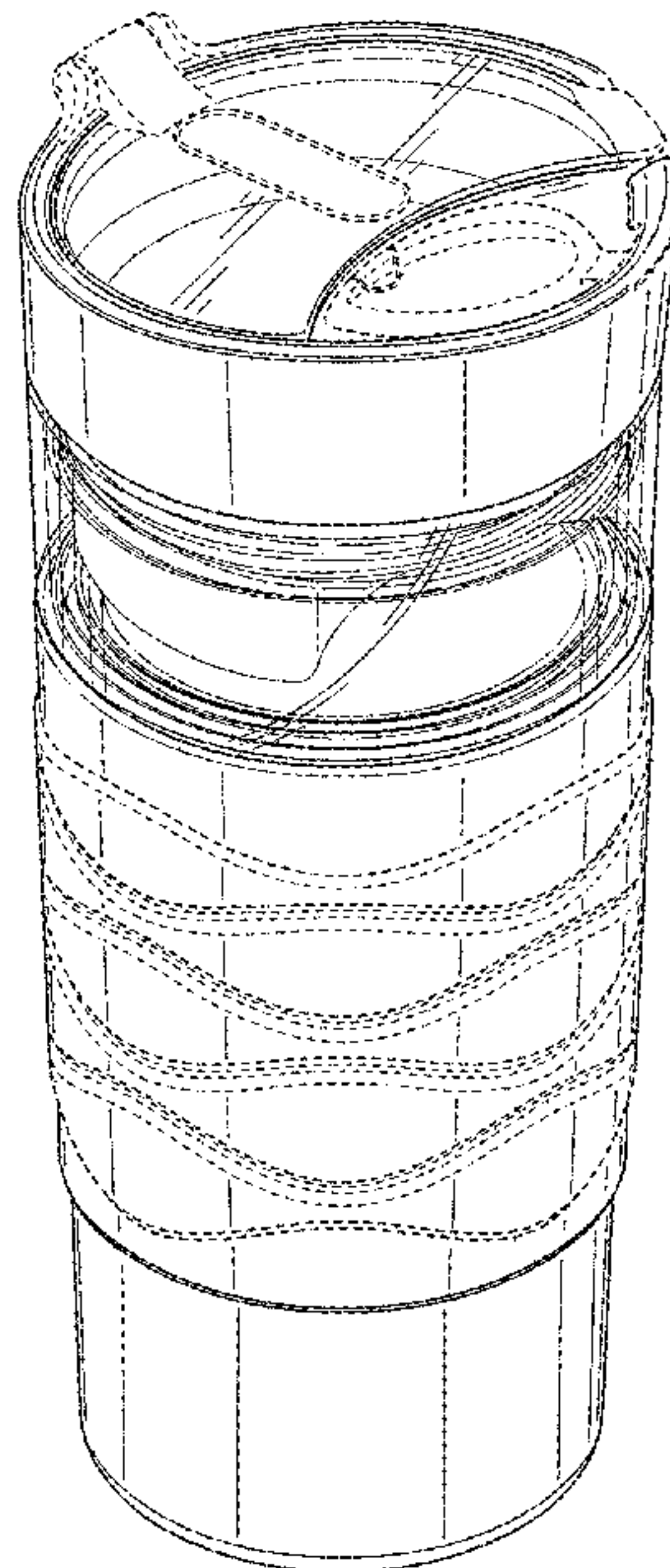
(57) **CLAIM**

The ornamental design for a container, as shown and described.

DESCRIPTION

FIG. 1 is a front perspective view of a container showing my new design;
FIG. 2 is a front elevational view thereof;
FIG. 3 is a rear elevational view thereof;
FIG. 4 is a side elevational view thereof;
FIG. 5 is another side elevational view thereof;
FIG. 6 is a top plan view thereof; and,
FIG. 7 is a bottom plan view thereof.
The broken lines in the drawing depict portions of the container that form no part of the claimed design.

1 Claim, 7 Drawing Sheets



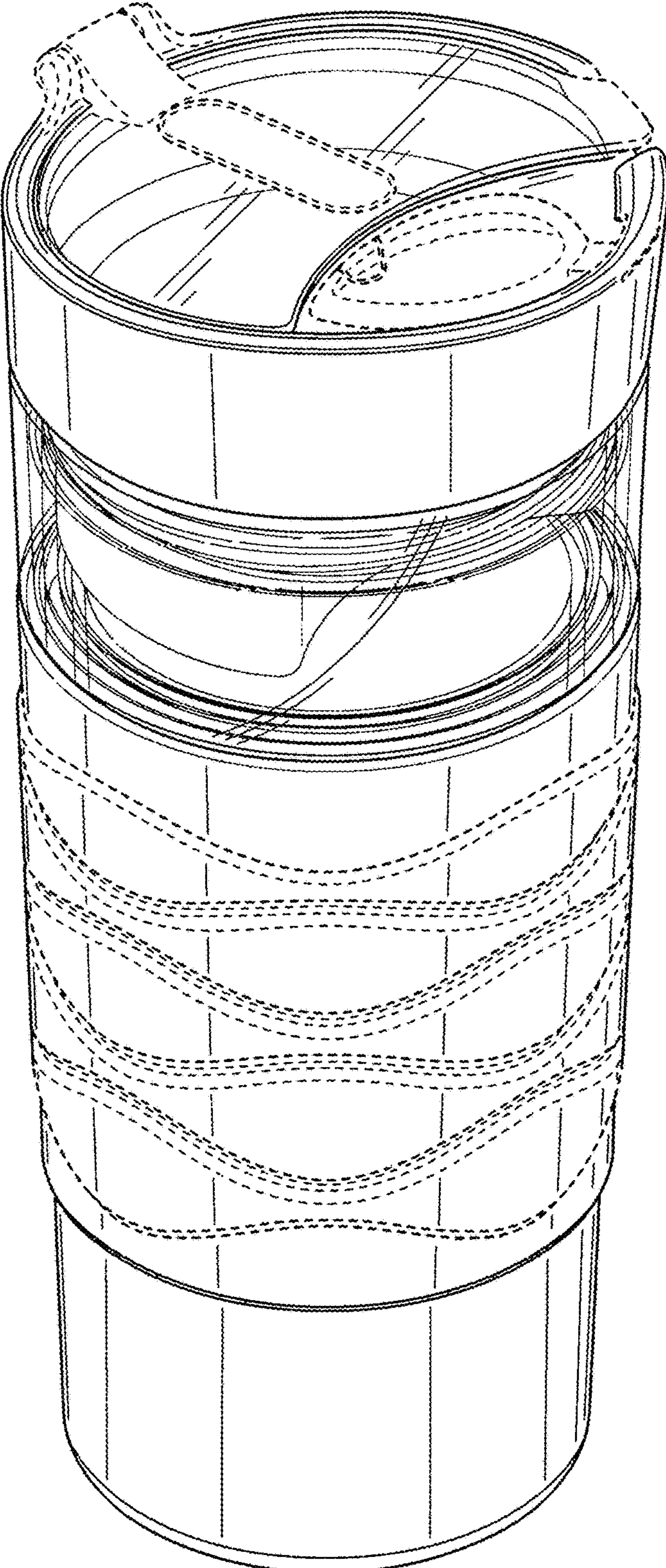


FIG. 1

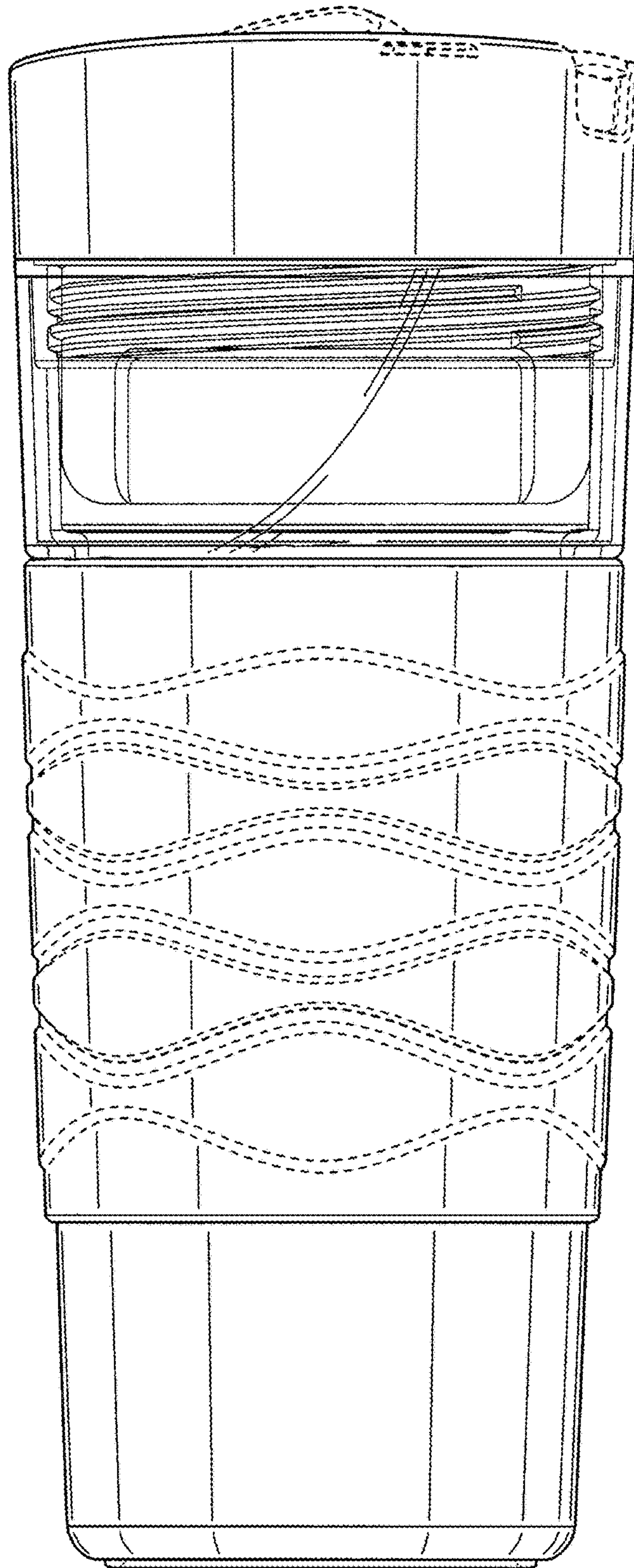


FIG. 2

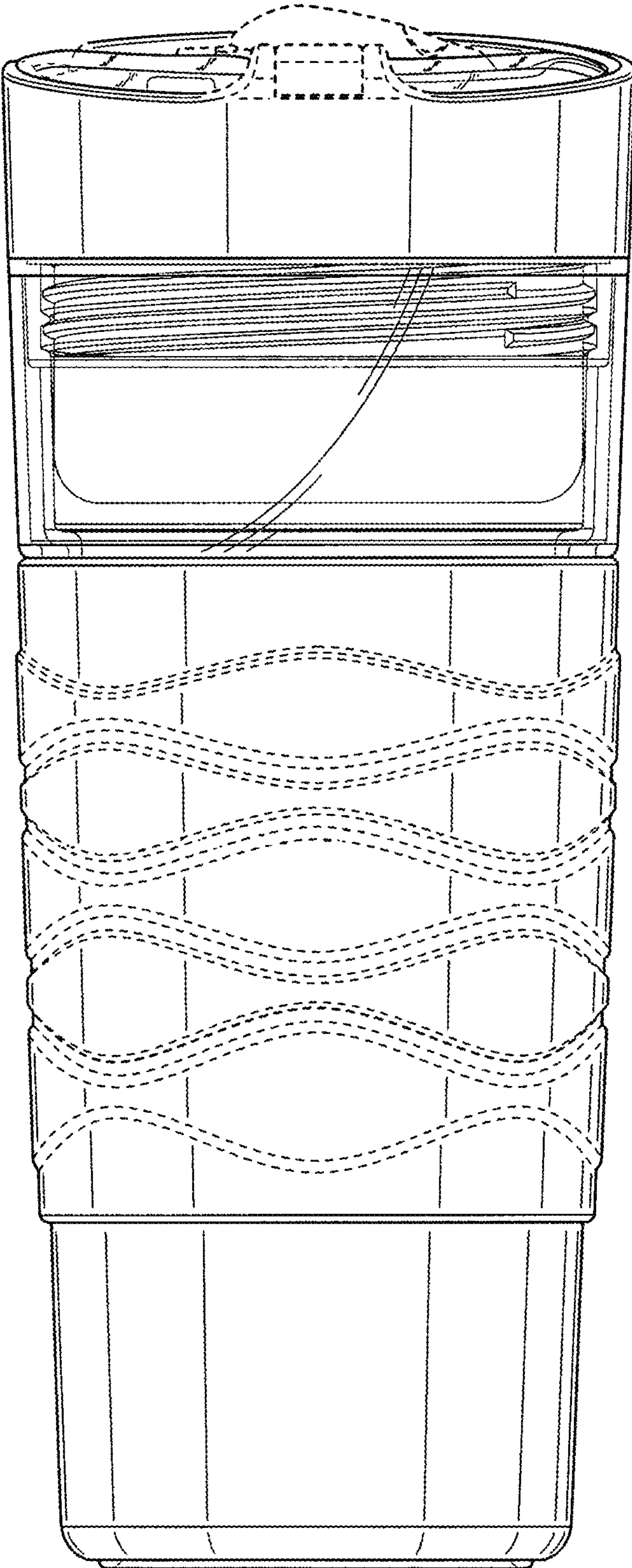


FIG. 3

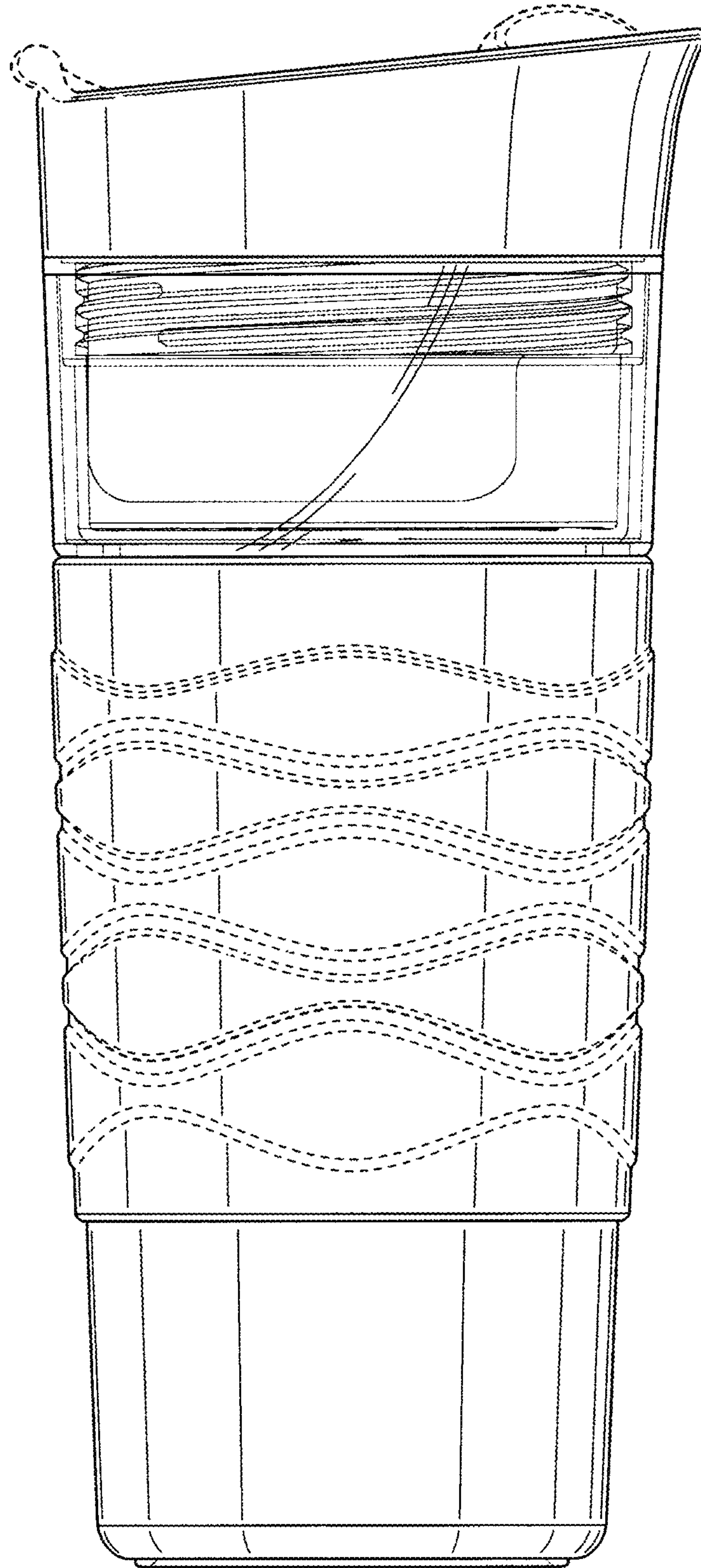


FIG. 4

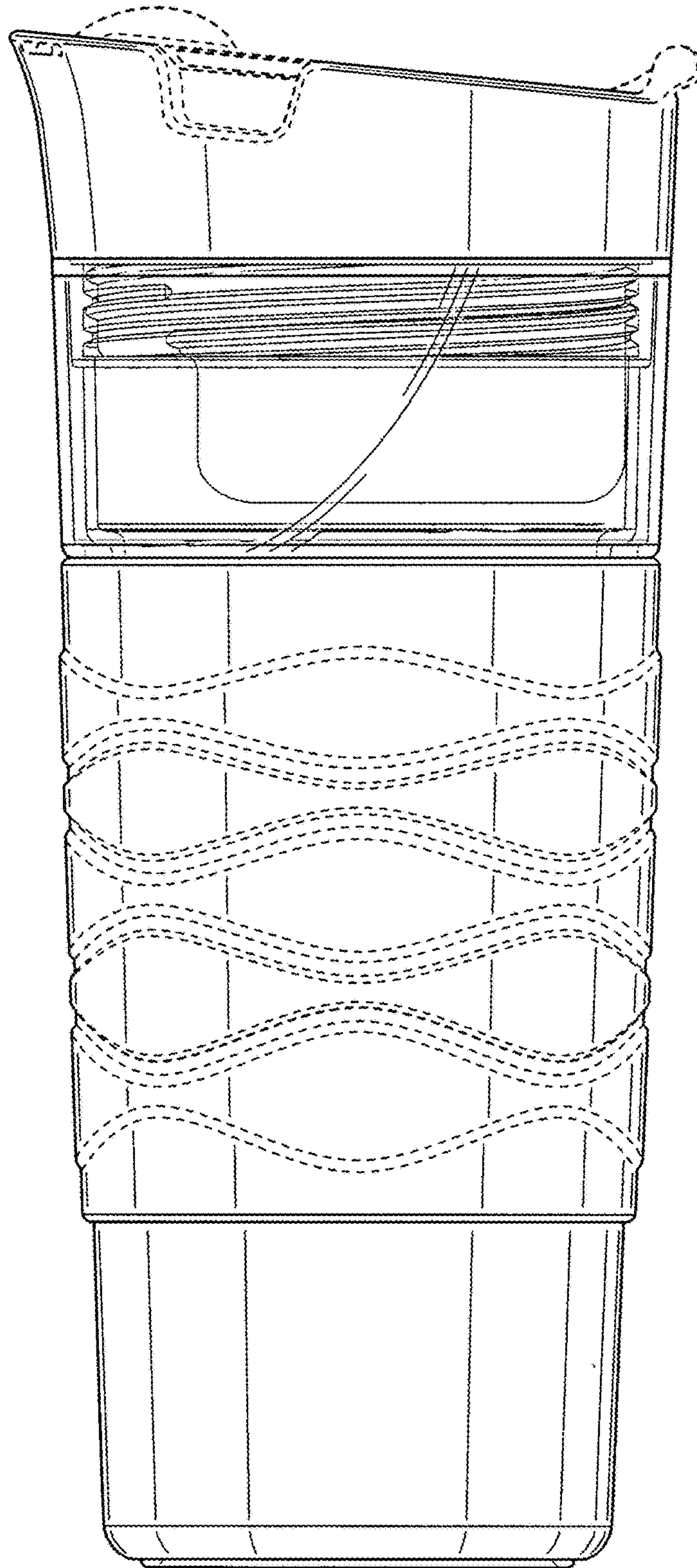


FIG. 5

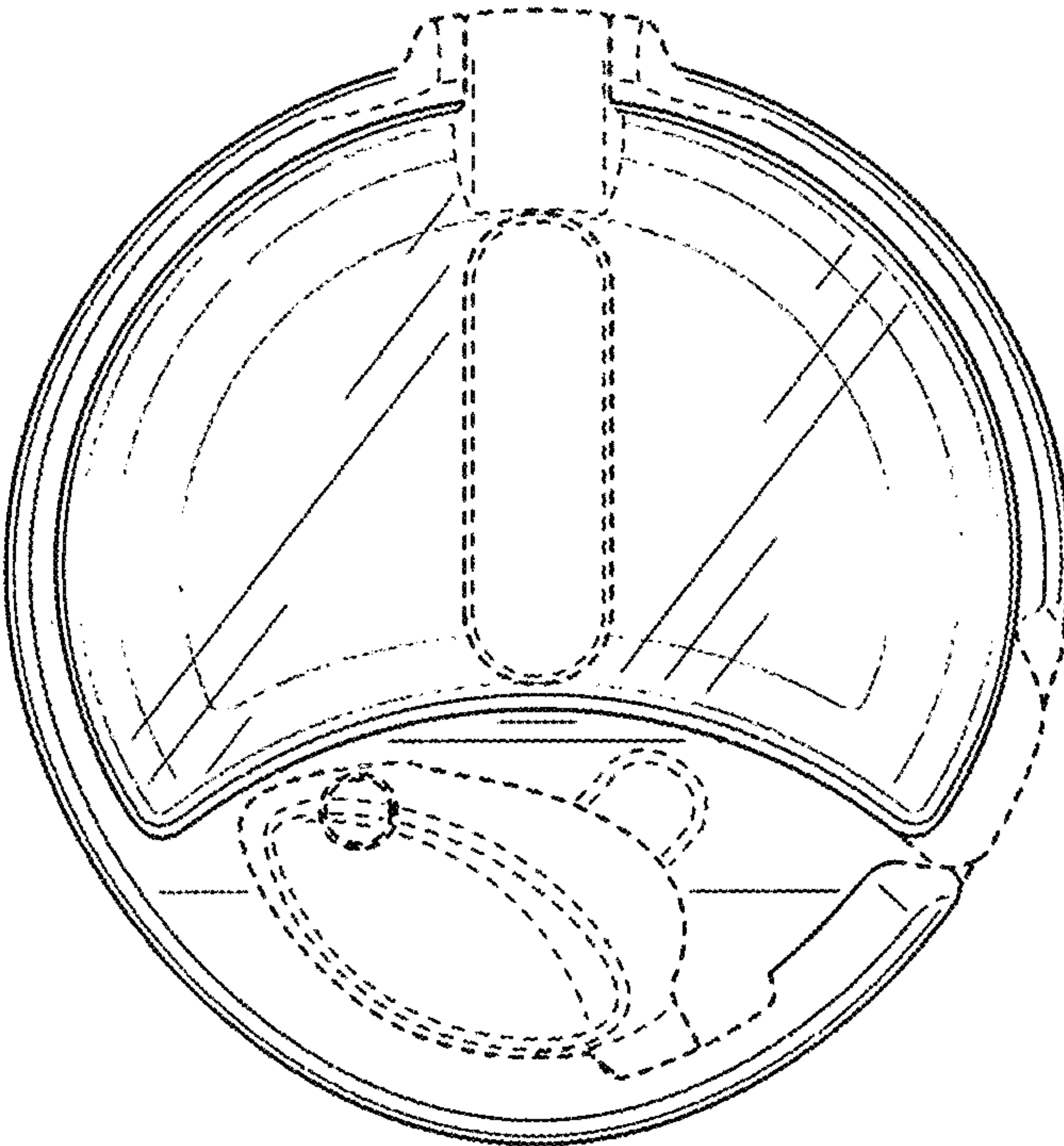


FIG. 6

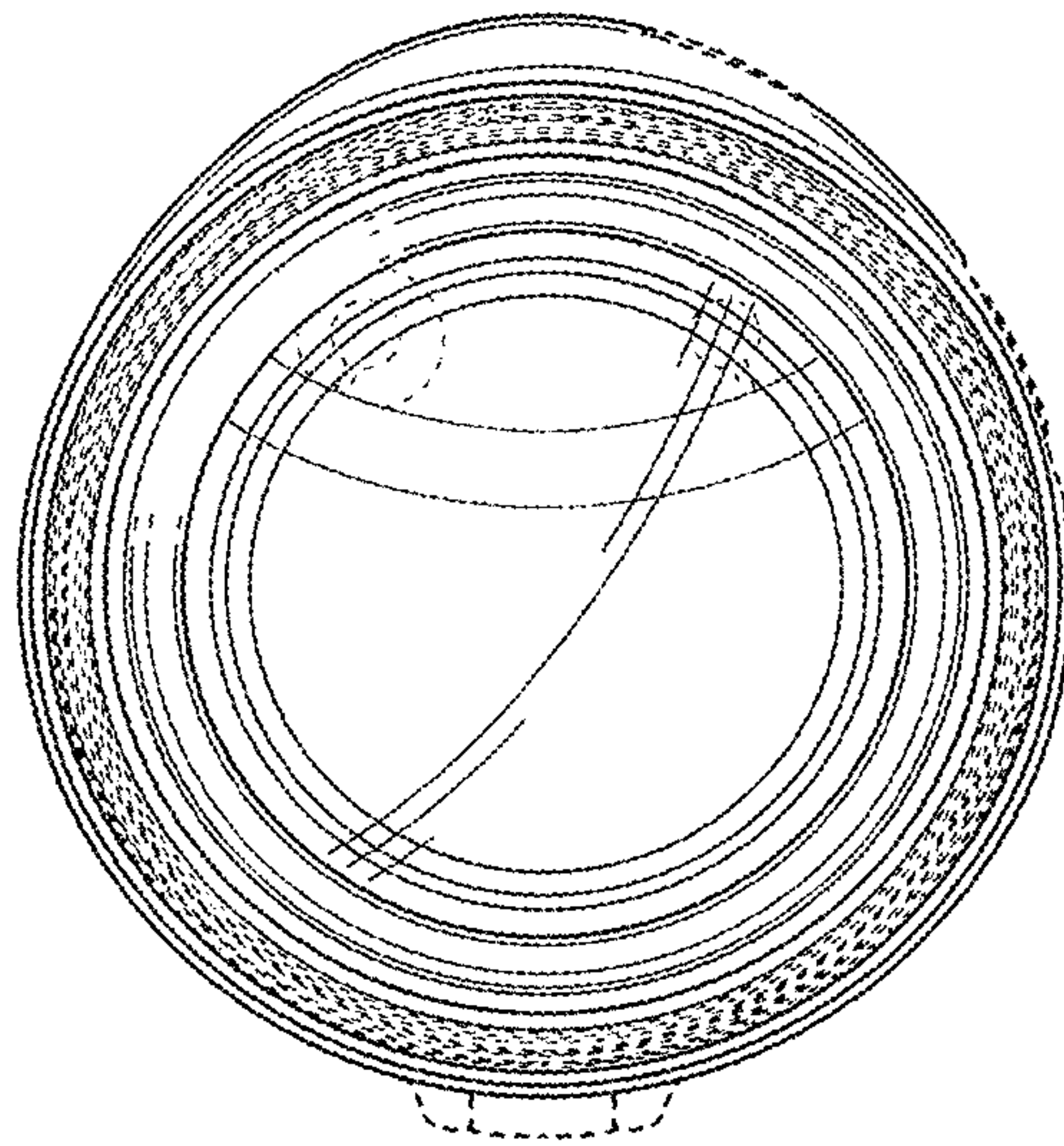


FIG. 7