



US00D790277S

(12) **United States Design Patent**
Mackesy, II et al.

(10) **Patent No.:** **US D790,277 S**
(45) **Date of Patent:** **** Jun. 27, 2017**

(54) **COMBINED CUP AND BOTTLE OPENER**

(71) Applicants: **Michael J. Mackesy, II**, Mission Viejo, CA (US); **Jacob A. Ostheimer**, Foothill Ranch, CA (US)

(72) Inventors: **Michael J. Mackesy, II**, Mission Viejo, CA (US); **Jacob A. Ostheimer**, Foothill Ranch, CA (US)

(**) Term: **15 Years**

(21) Appl. No.: **29/541,777**

(22) Filed: **Oct. 7, 2015**

(51) **LOC (10) Cl.** **07-01**

(52) **U.S. Cl.**

USPC **D7/507**; D7/523; D7/532; D8/34

(58) **Field of Classification Search**

USPC D7/505-511, 523, 529, 530, 532, 543, D7/550.1, 553.2, 554.3, 592, 396.2, 531, D7/396.4, 512, 607, 608, 624.1, 624.2, D7/553.8, 554.2, 620, 533, 524, 516, 590, D7/591, 602; D3/205, 202, 901; D9/715, 719, 721, 739, 517, 690, 682, D9/691, 748, 516, 553, 775, 773, 429, D9/454, 440, 436, 561, 575, 541, 543, D9/539, 530; D6/542, 534, 535, 512, D6/513, 514, 515, 524, 527, 528, 530, D6/531; 206/520, 217, 459.5; 220/592.16, 592.17, 703, 713, 612, 602; 215/400, 403; D28/9, 99, 73; D19/95; D11/144, 153; D27/137; D8/34
CPC A47G 19/22; A47G 19/2205; A47G 19/2272; B65D 1/265; B65D 3/06
See application file for complete search history.

(56) **References Cited**

U.S. PATENT DOCUMENTS

2,328,872 A * 9/1943 Yealdhall B65D 85/816
206/217
D199,336 S * 10/1964 Wanderer D7/532

D202,507 S * 10/1965 Shelby 215/10
D210,767 S * 4/1968 Anglada D7/532
D272,794 S * 2/1984 Dart D7/532
D368,234 S * 3/1996 Dickinson D11/152
D373,290 S * 9/1996 Ballin 81/3.09
D497,528 S * 10/2004 Harris D8/34
D506,910 S * 7/2005 Tham-itthisak D7/509
D533,748 S * 12/2006 Bresler D7/509
D559,629 S * 1/2008 Gifford, Jr. D7/608
D570,159 S * 6/2008 McGill D7/509
D680,376 S * 4/2013 Romley D7/524
D680,377 S * 4/2013 Romley D7/523
D706,090 S * 6/2014 Spector D7/682
D717,606 S * 11/2014 Kristinik D7/532
D721,887 S * 2/2015 Romley D3/211

(Continued)

OTHER PUBLICATIONS

<http://www.stupid.com/thumbnail.asp?file=assets/images/redcupbottleopener1.jpg&maxx=400&maxy=0> Red Cup Bottle Opener Nov. 3, 2013.*

(Continued)

Primary Examiner — Marianne Pandozzi

Assistant Examiner — Jae Liang

(74) *Attorney, Agent, or Firm* — Fulwider Patton LLP

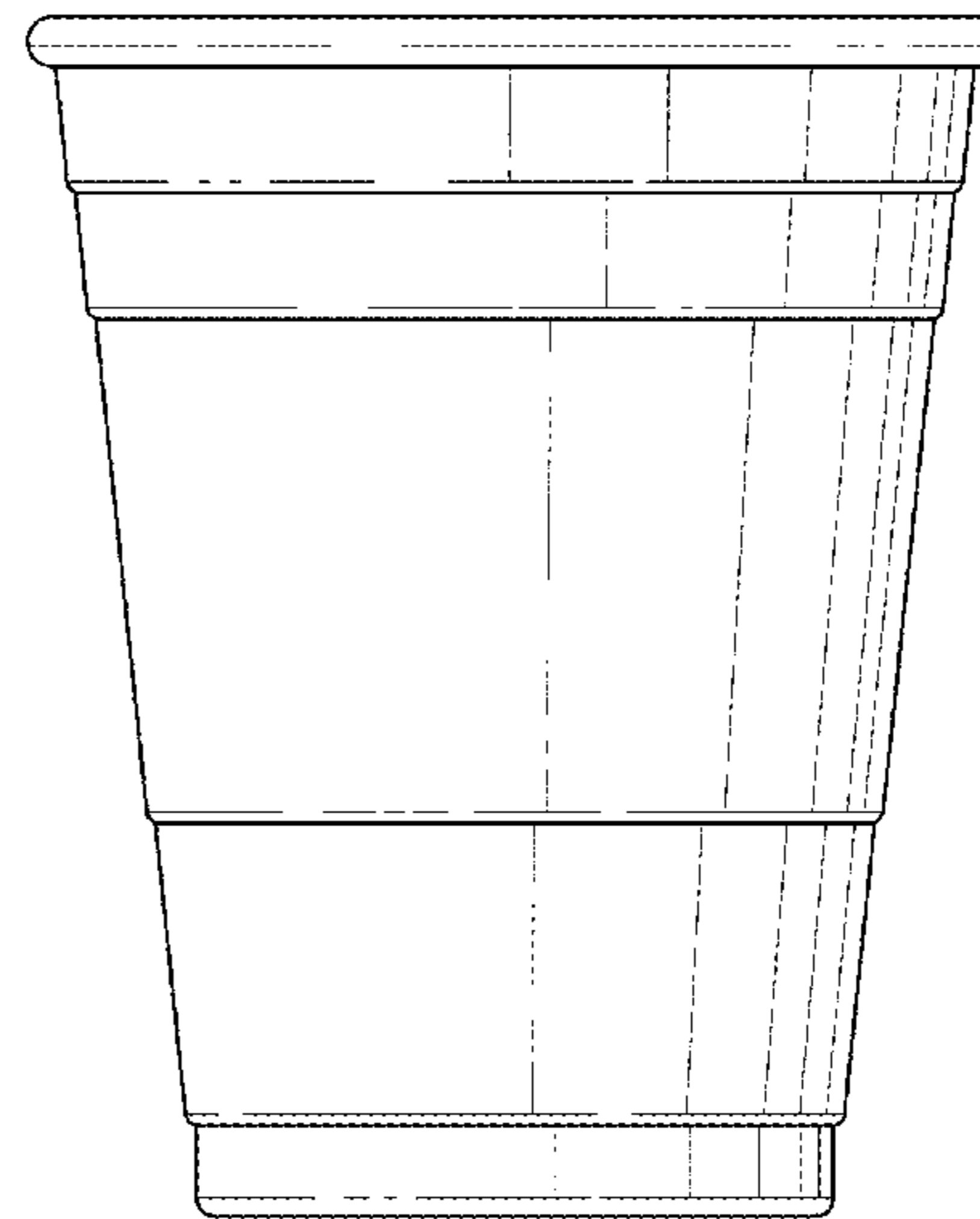
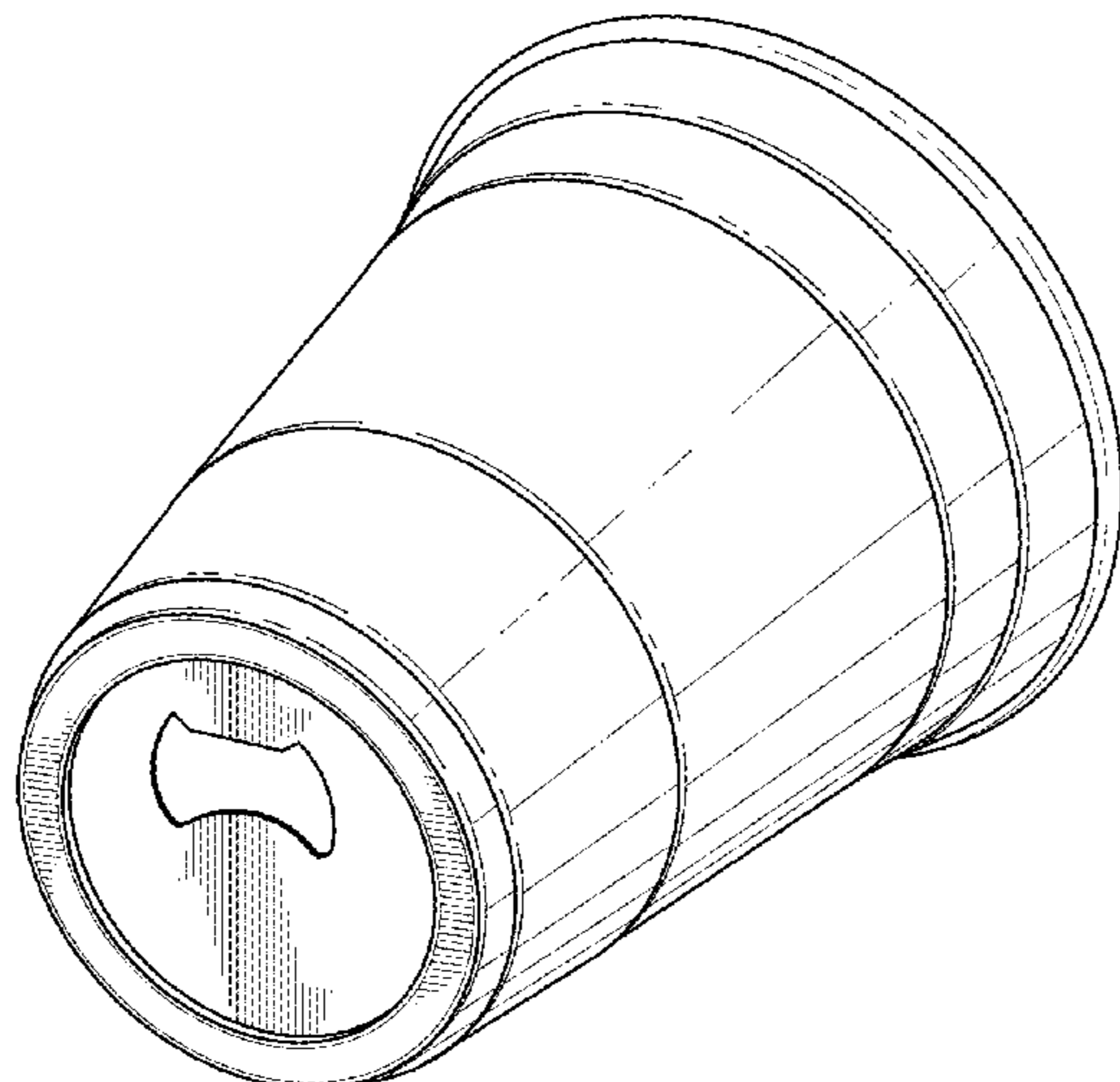
(57) **CLAIM**

The ornamental design for a combined cup and bottle opener, as shown and described.

DESCRIPTION

FIG. 1 is a bottom perspective view of a combined cup and bottle opener showing our new design; FIG. 2 is a left side view thereof; FIG. 3 is a front view thereof; FIG. 4 is a top view thereof; FIG. 5 is a bottom view thereof; and, FIG. 6 is a cross section view showing a section taken along line 6-6 of FIG. 4.

1 Claim, 4 Drawing Sheets



(56)

References Cited

U.S. PATENT DOCUMENTS

D729,114 S * 5/2015 Romley D11/121
D732,343 S * 6/2015 Romley D7/532
D733,496 S * 7/2015 Pisarevsky D7/507
D742,192 S * 11/2015 Morales D8/34
D753,437 S * 4/2016 Steel D7/396.2

OTHER PUBLICATIONS

<https://www.amazon.com/PARTY-perfect-liquor-serving-conditions/dp/B00D7JVWBM> 2oz Mini Red Party Cups Dec. 2013.*

* cited by examiner

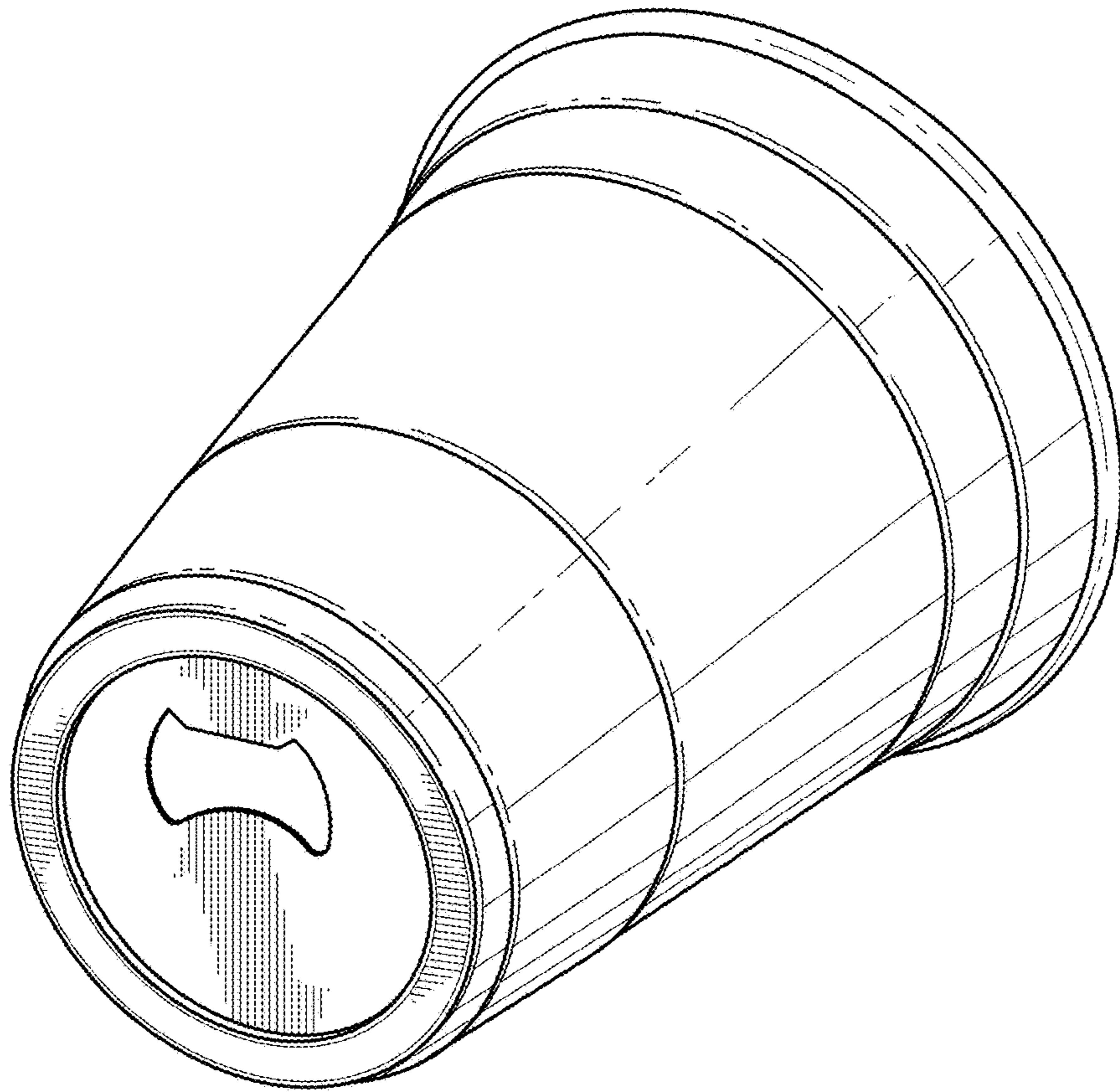


FIG. 1

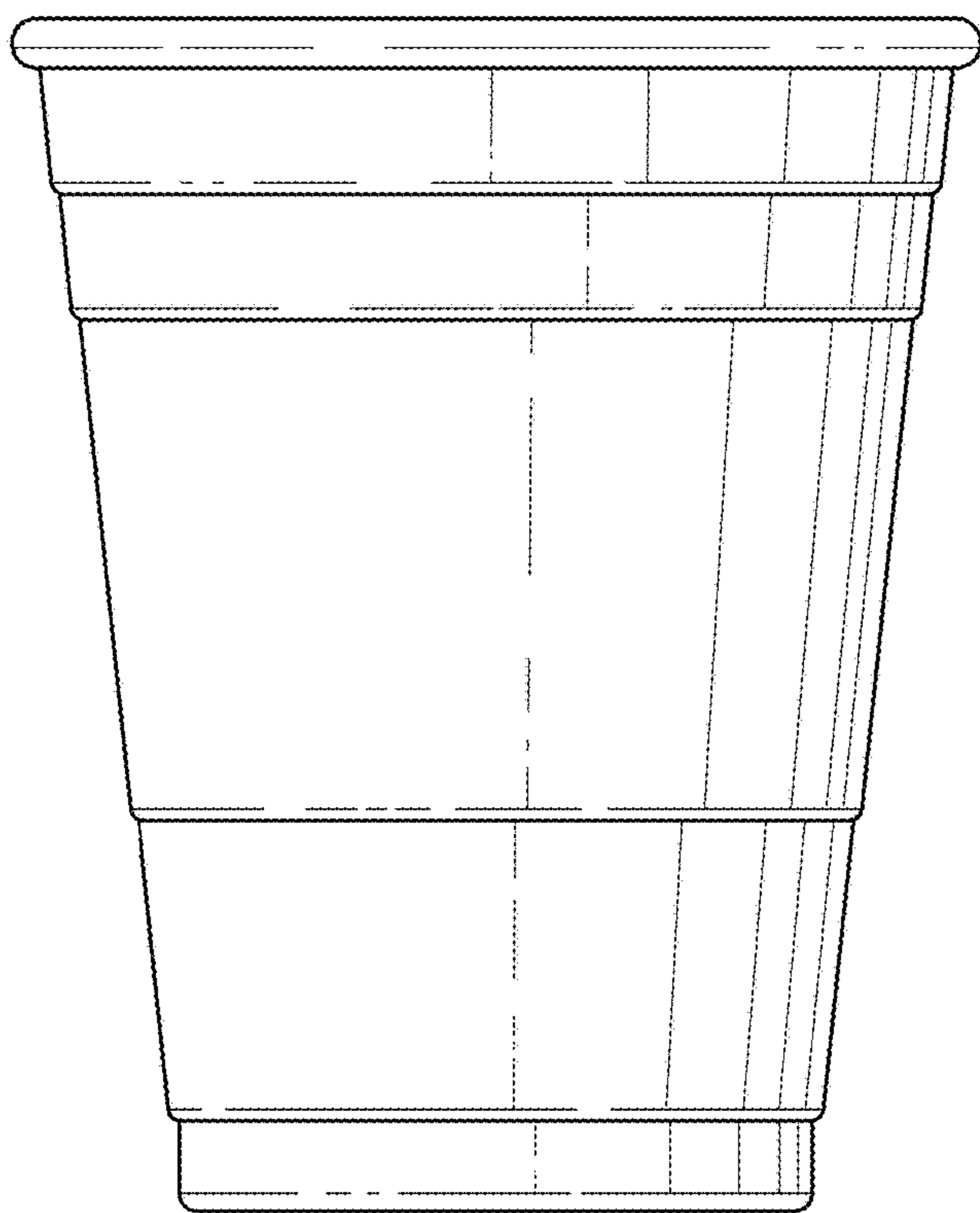


FIG. 2

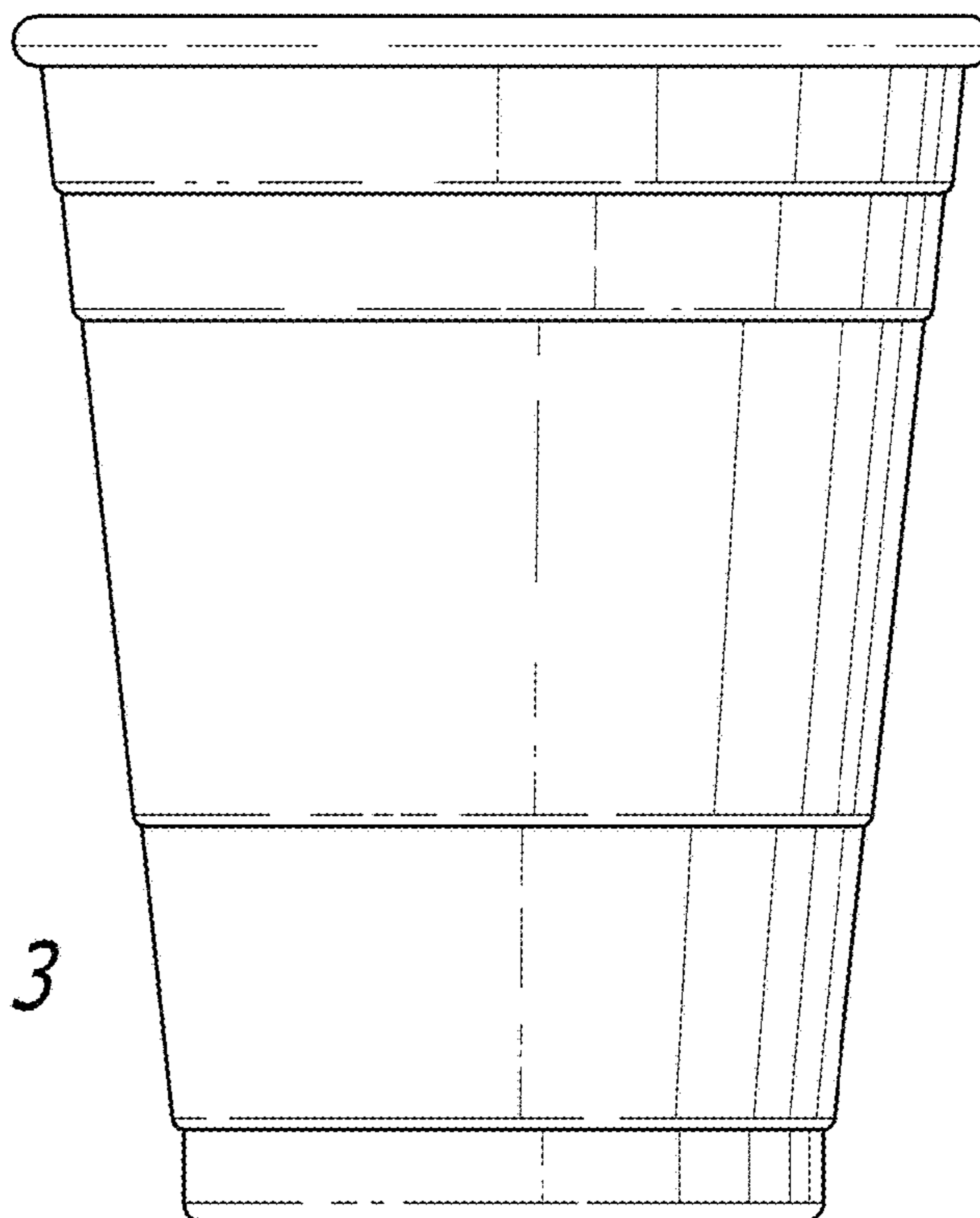


FIG. 3

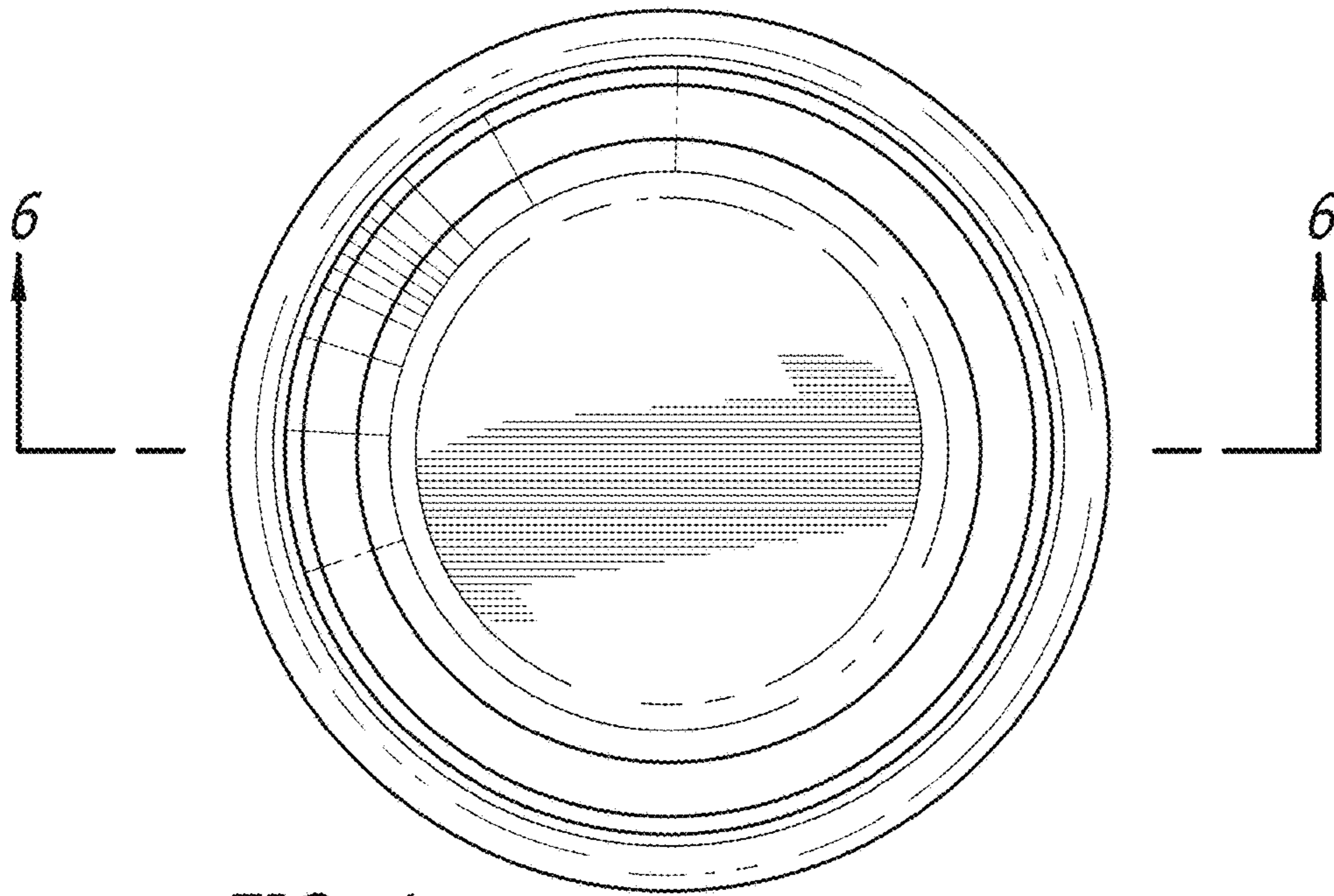


FIG. 4

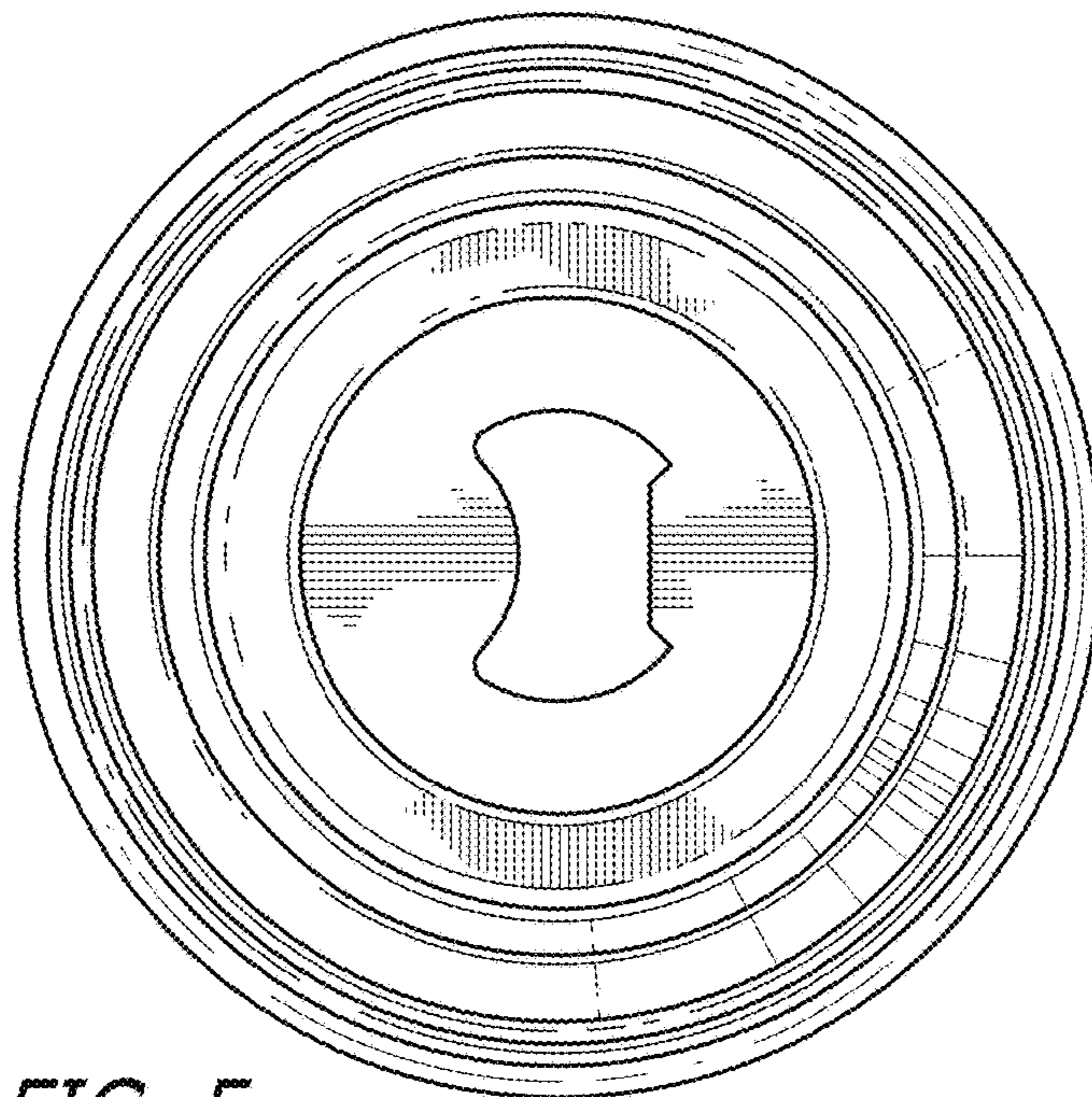


FIG. 5

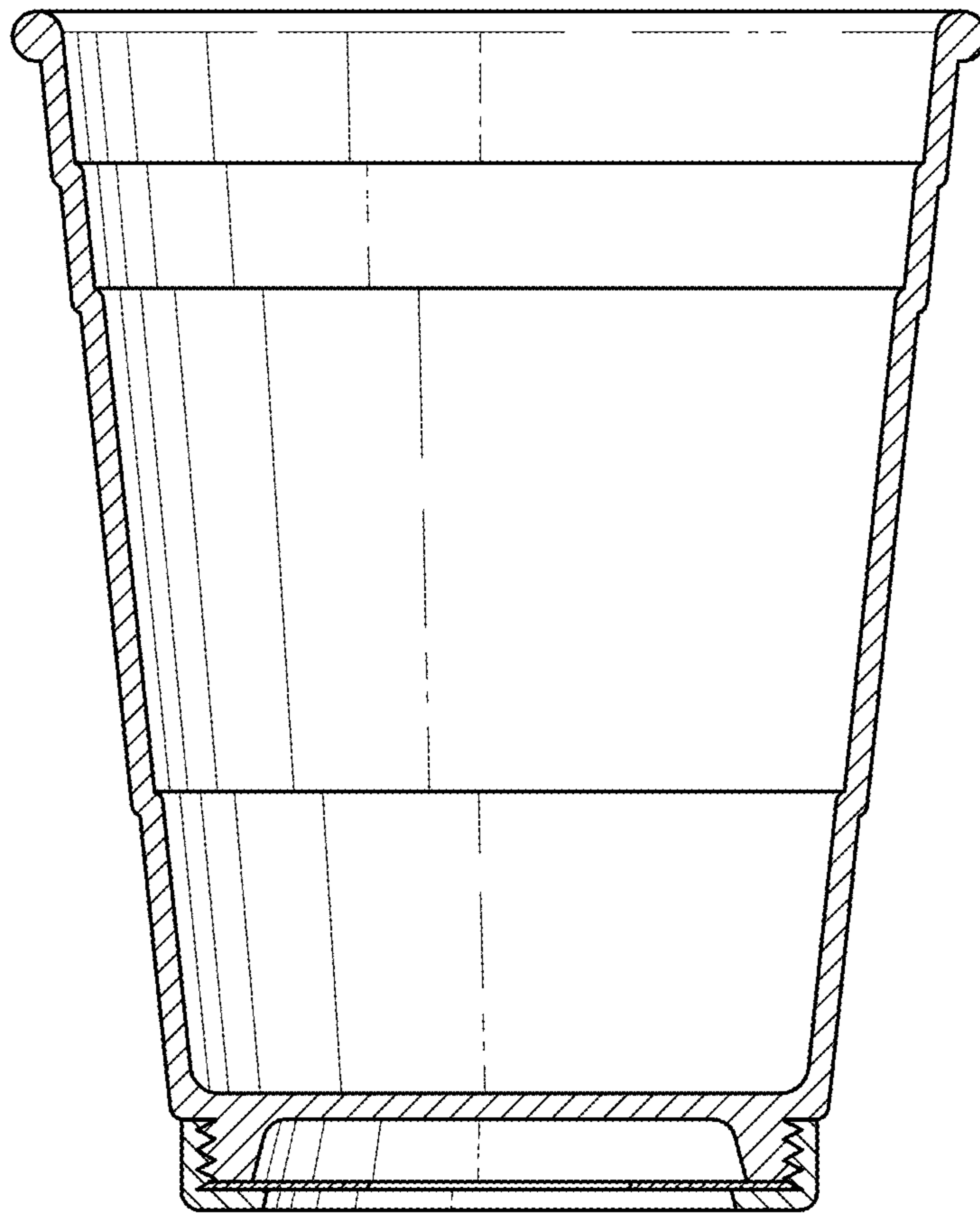


FIG. 6