



US00D790276S

(12) **United States Design Patent**
Lane et al.

(10) **Patent No.:** **US D790,276 S**
(45) **Date of Patent:** **** Jun. 27, 2017**

(54) **DRINKING CONTAINER**

- (71) Applicant: **THERMOS L.L.C.**, Schaumburg, IL (US)
- (72) Inventors: **Marvin Lane**, Wheeling, IL (US);
Dwayne Boroski, Lake in the Hills, IL (US)
- (73) Assignee: **THERMOS L.L.C.**, Schaumburg, IL (US)
- (**) Term: **15 Years**
- (21) Appl. No.: **29/541,638**
- (22) Filed: **Oct. 6, 2015**
- (51) **LOC (10) Cl.** **07-01**
- (52) **U.S. Cl.**
USPC **D7/507; D7/510; D7/523; D7/532**
- (58) **Field of Classification Search**
USPC **D7/507, 509, 510, 511, 523, 529, 531, D7/532, 533, 534, 608, 300.2, 591, 598, D7/601, 602, 387, 392.1, 396.2, 396.1, D7/398, 399, 397, 400, 516, 518, 519; D9/435, 436, 519, 549, 552, 556, 559, D9/439, 440, 434; D21/386; D24/196, D24/197; 220/592.16, 292.17, 705, 710, 220/495.03**
CPC **A47G 19/22; A47G 19/2211; A47G 19/2216; A47G 19/2222; A47G 19/2233**
See application file for complete search history.

(56) **References Cited**

U.S. PATENT DOCUMENTS

- D47,800 S 9/1915 Pick
- 4,121,835 A 10/1978 Garabedian
- D268,988 S * 5/1983 Hirsh D9/504
- 4,399,926 A 8/1983 Eidels-Dubovoy

(Continued)

Primary Examiner — Marianne Pandozzi

Assistant Examiner — Jae Liang

(74) *Attorney, Agent, or Firm* — Polsinelli PC

(57) **CLAIM**

The ornamental design for a drinking container, as shown and described.

DESCRIPTION

FIG. 1 is a perspective view of a first embodiment of a drinking container showing our new design.

FIG. 2 is a front view of the first embodiment of the drinking container;

FIG. 3 is a rear view of the first embodiment of the drinking container;

FIG. 4 is a left side view of the first embodiment of the drinking container;

FIG. 5 is a right side view of the first embodiment of the drinking container;

FIG. 6 is a top view of the first embodiment of the drinking container;

FIG. 7 is a bottom view of the first embodiment of the drinking container;

FIG. 8 is a perspective view of a second embodiment of the drinking container;

FIG. 9 is a front view of the second embodiment of the drinking container;

FIG. 10 is a rear view of the second embodiment of the drinking container;

FIG. 11 is a left side view of the second embodiment of the drinking container;

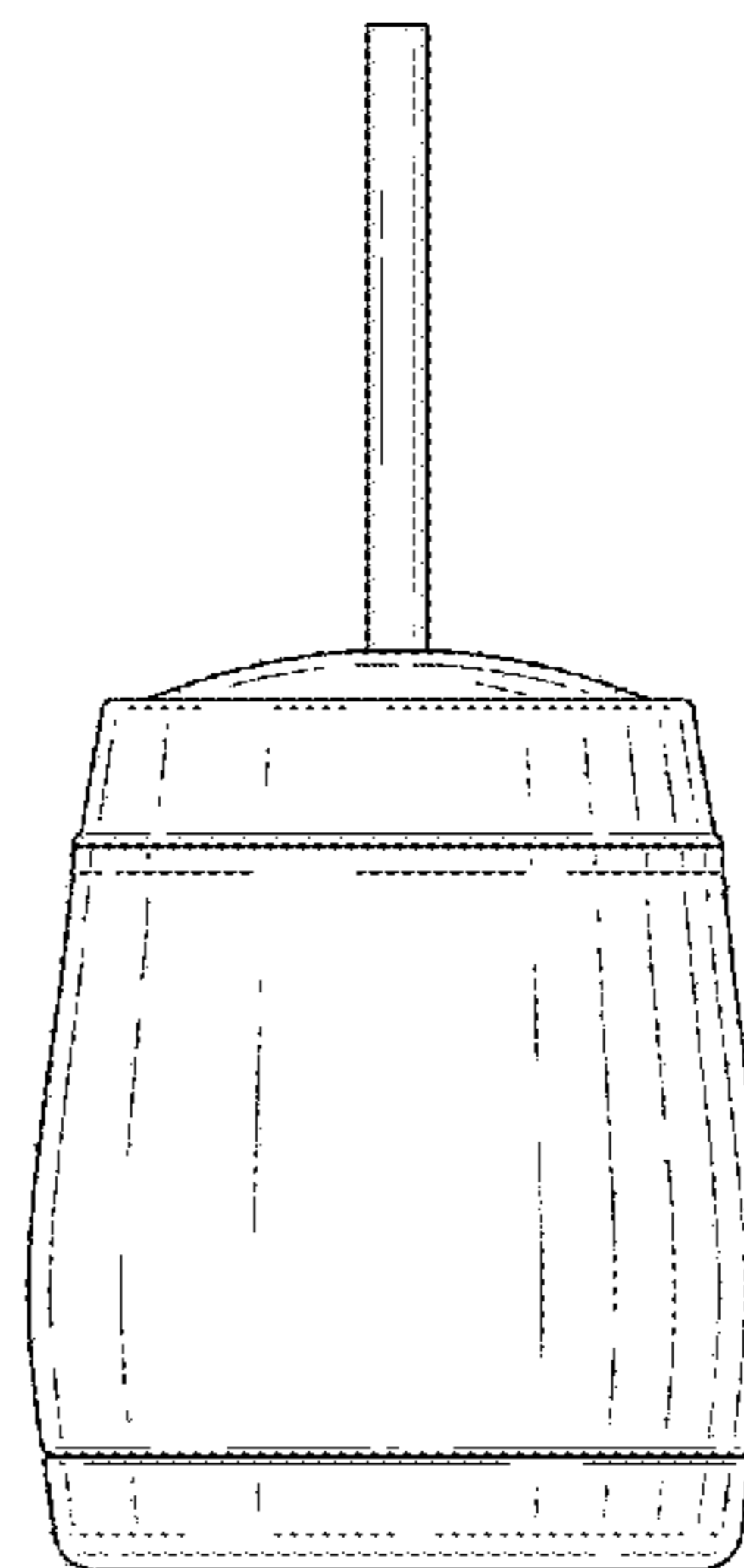
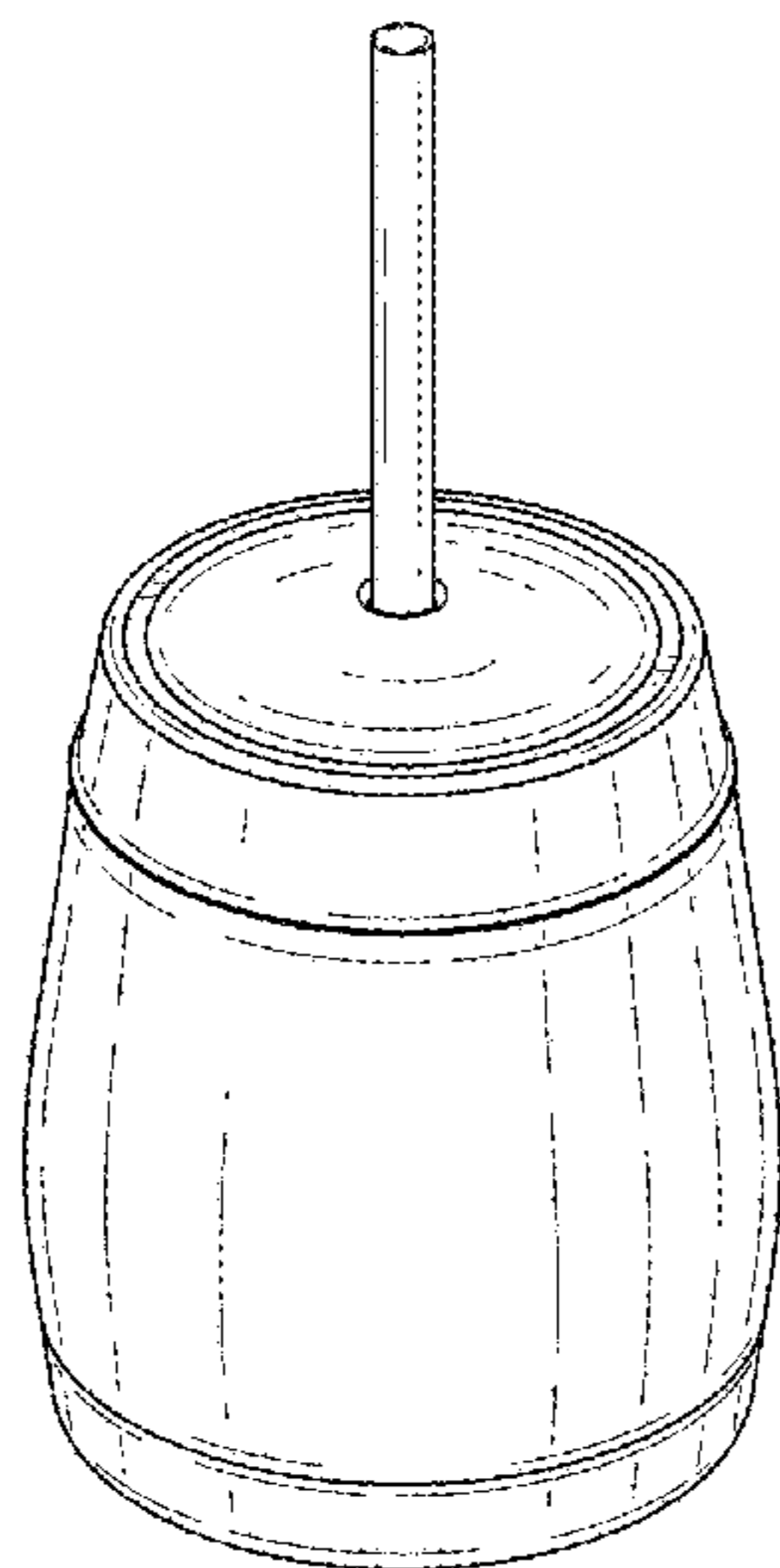
FIG. 12 is a right side view of the second embodiment of the drinking container;

FIG. 13 is a top view of the second embodiment of the drinking container; and,

FIG. 14 is a bottom view of the second embodiment of the drinking container.

The broken lines in the drawing depict portions of the drinking container that form no part of the claimed design. The dash-dot lines in the drawing depict bounds of the claimed design that form no part of the claimed design.

1 Claim, 6 Drawing Sheets



(56)

References Cited

U.S. PATENT DOCUMENTS

4,494,668 A 1/1985 Lottick
 D303,601 S * 9/1989 Silveira D7/300.2
 4,948,009 A 8/1990 Sawatani
 D340,836 S 11/1993 Cautereels
 D345,676 S 4/1994 Biffle
 5,361,935 A 11/1994 Sagucio
 D372,868 S 8/1996 Kobayashi et al.
 D394,187 S 5/1998 Orrico et al.
 D405,654 S 2/1999 Moran
 D416,757 S 11/1999 Ginuntoli
 D425,370 S 5/2000 Malusek
 D426,410 S * 6/2000 De Laforcade D19/93
 D454,755 S 3/2002 Jorgensen
 D456,212 S 4/2002 Bridges
 D474,077 S 5/2003 Hatsumoto
 D476,193 S 6/2003 Janky
 D483,995 S 12/2003 Otake
 D490,639 S 6/2004 Kling
 D507,151 S 7/2005 Schuler et al.
 D540,124 S 4/2007 Ross
 D549,522 S 8/2007 Tien
 D550,035 S 9/2007 Tien
 D557,994 S 12/2007 Wahl
 D569,188 S 5/2008 Tornqvist

D571,613 S 6/2008 Gilbert et al.
 D578,351 S 10/2008 Pearson
 D587,534 S 3/2009 Carreno
 D587,967 S 3/2009 Wahl
 D591,106 S * 4/2009 Dominique D7/507
 D593,372 S 6/2009 Carreno
 D593,811 S 6/2009 Carreno
 D622,554 S 8/2010 Carreno
 D629,657 S 12/2010 Carreno
 D643,245 S 8/2011 Minarsch
 D643,694 S 8/2011 Lu
 D668,914 S 10/2012 Riedel et al.
 D676,277 S 2/2013 Riedel et al.
 D713,206 S 9/2014 Lane et al.
 D713,722 S 9/2014 Miller
 D729,581 S 5/2015 Boroski
 D732,338 S * 6/2015 Boroski D7/507
 D732,653 S * 6/2015 Hsiao D23/366
 D743,744 S * 11/2015 Sanbar D7/510
 D757,542 S * 5/2016 Prum D9/447
 D768,495 S * 10/2016 Staab D9/452
 D771,439 S * 11/2016 Miller D7/509
 D772,579 S * 11/2016 Baranes D4/116
 2005/0204925 A1 9/2005 Orrico et al.
 2012/0247998 A1 10/2012 Wahl
 2013/0087571 A1 4/2013 Yao

* cited by examiner

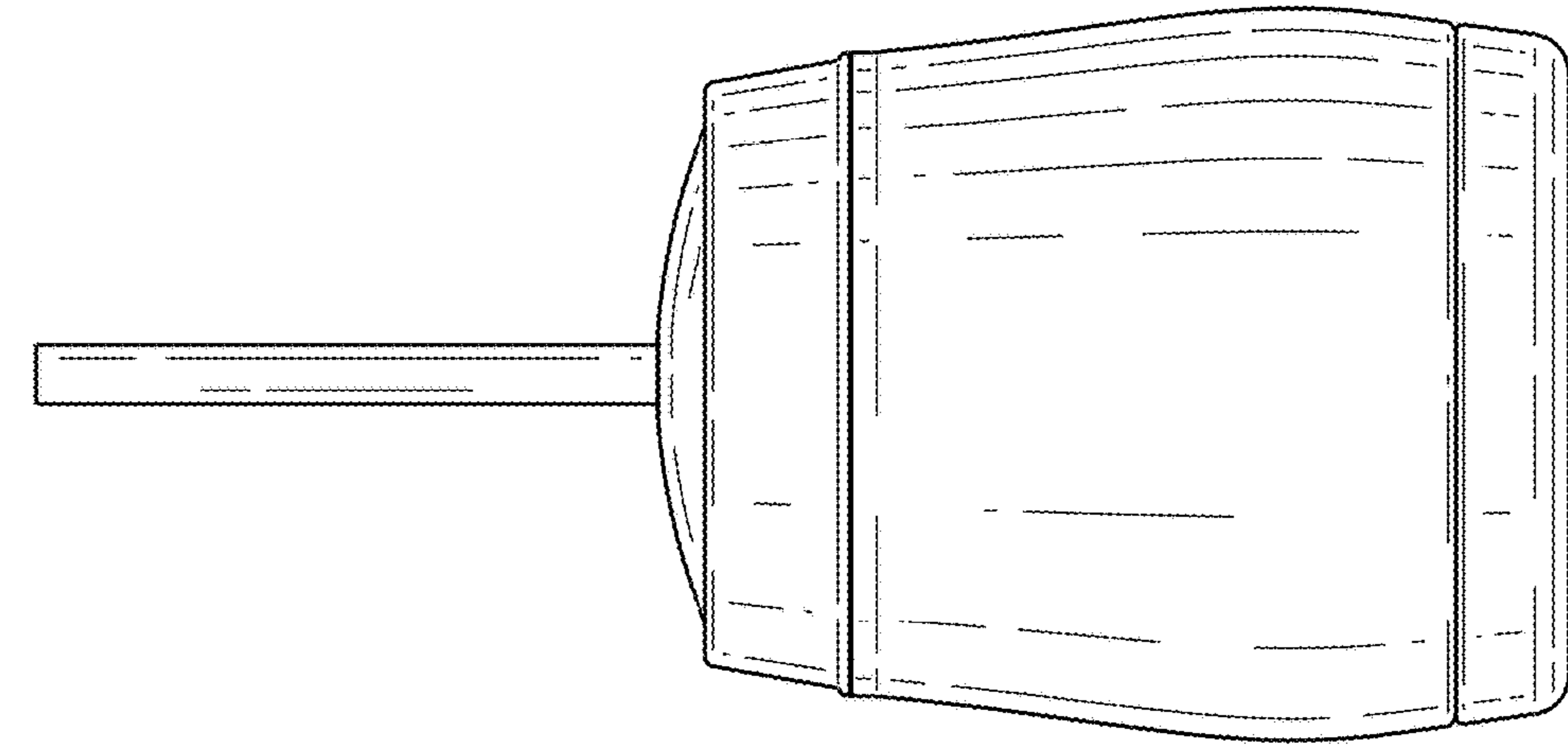


FIG. 2

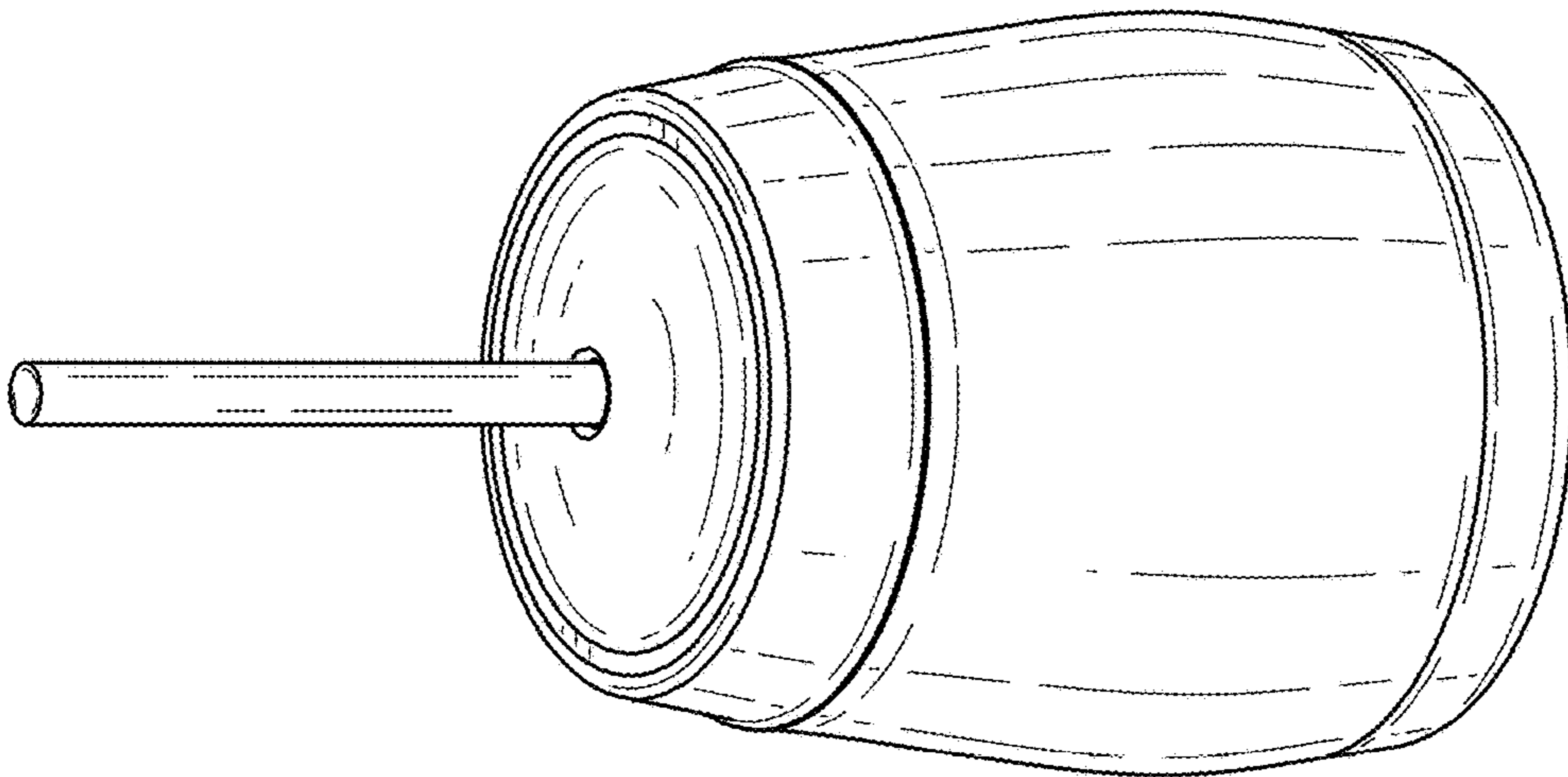


FIG. 1

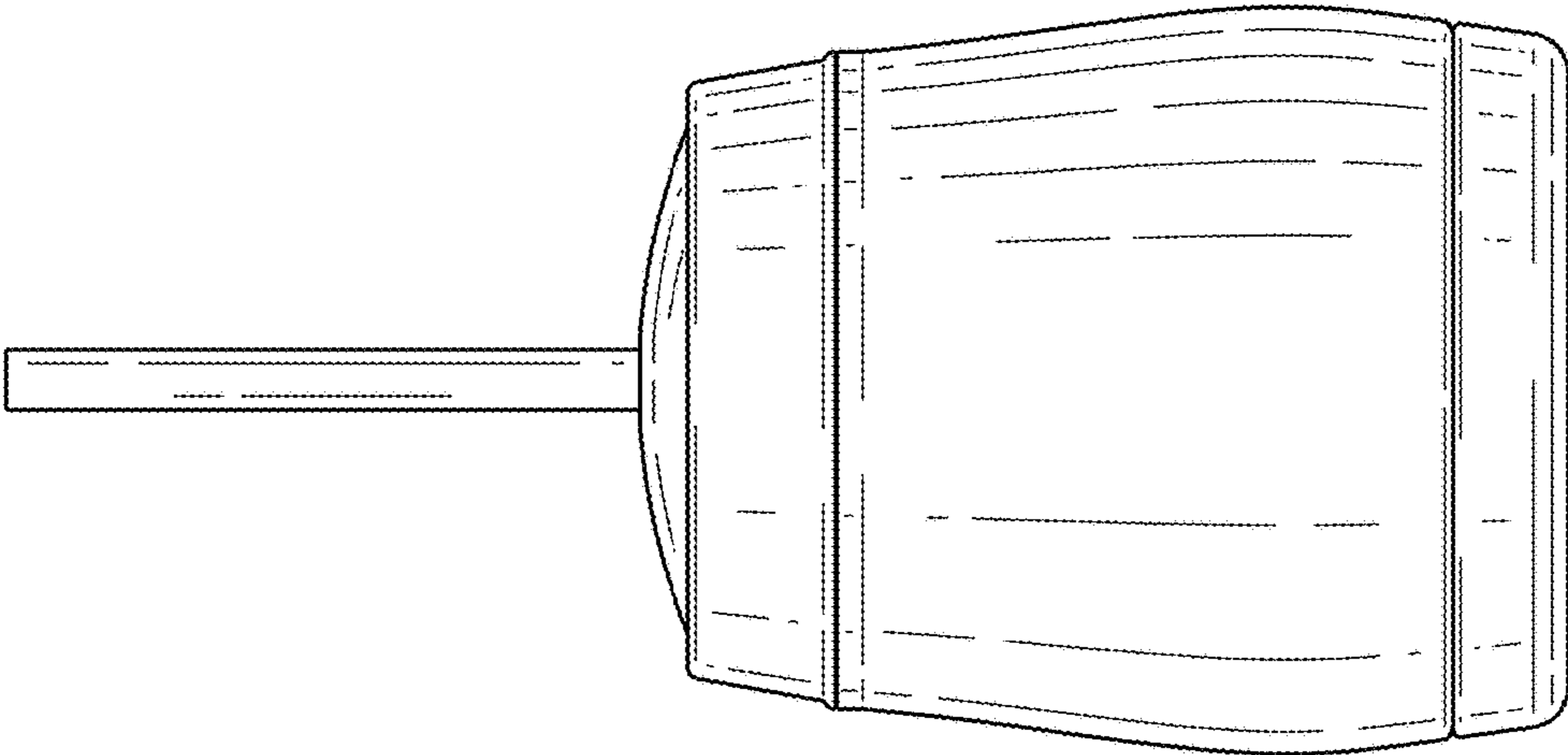


FIG. 4

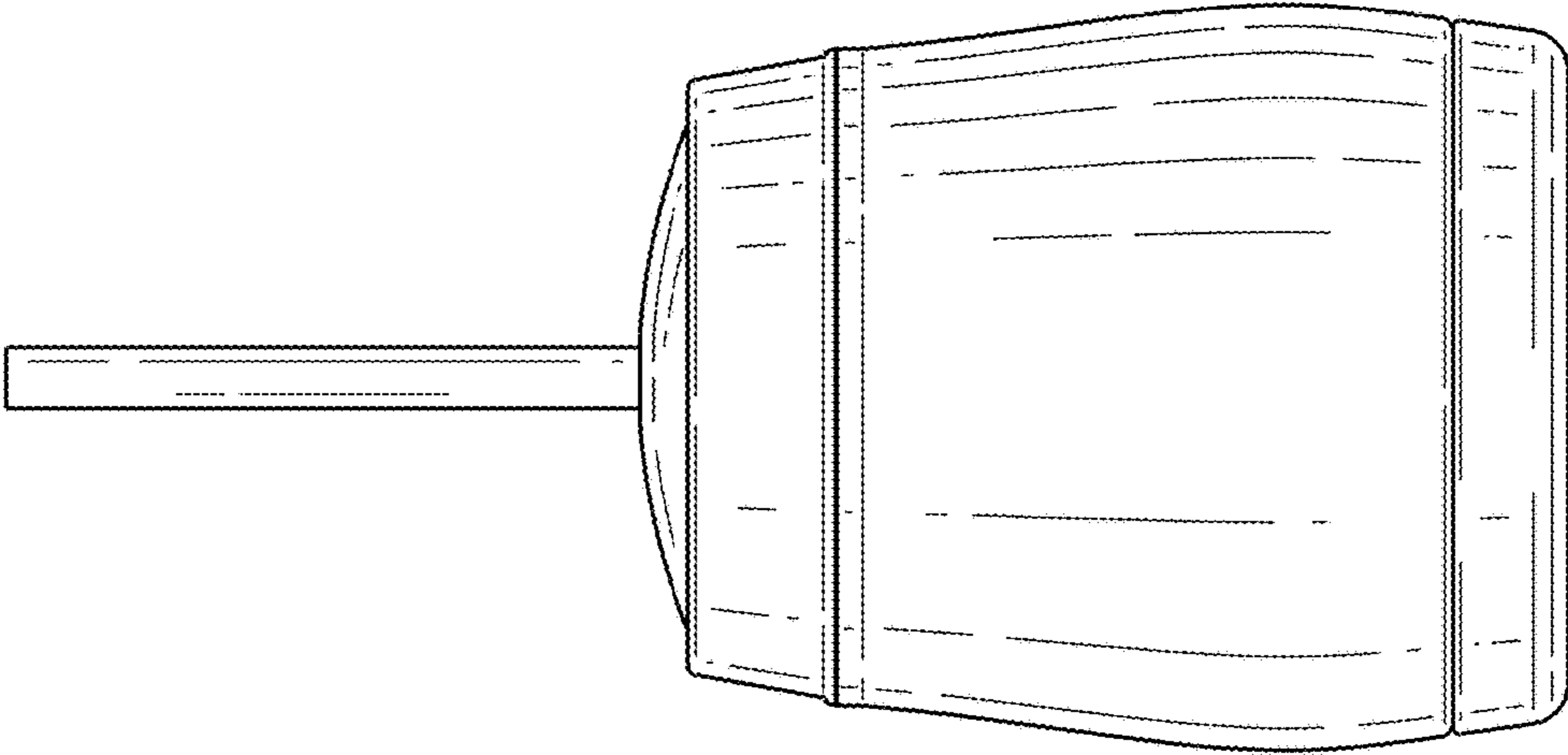


FIG. 3

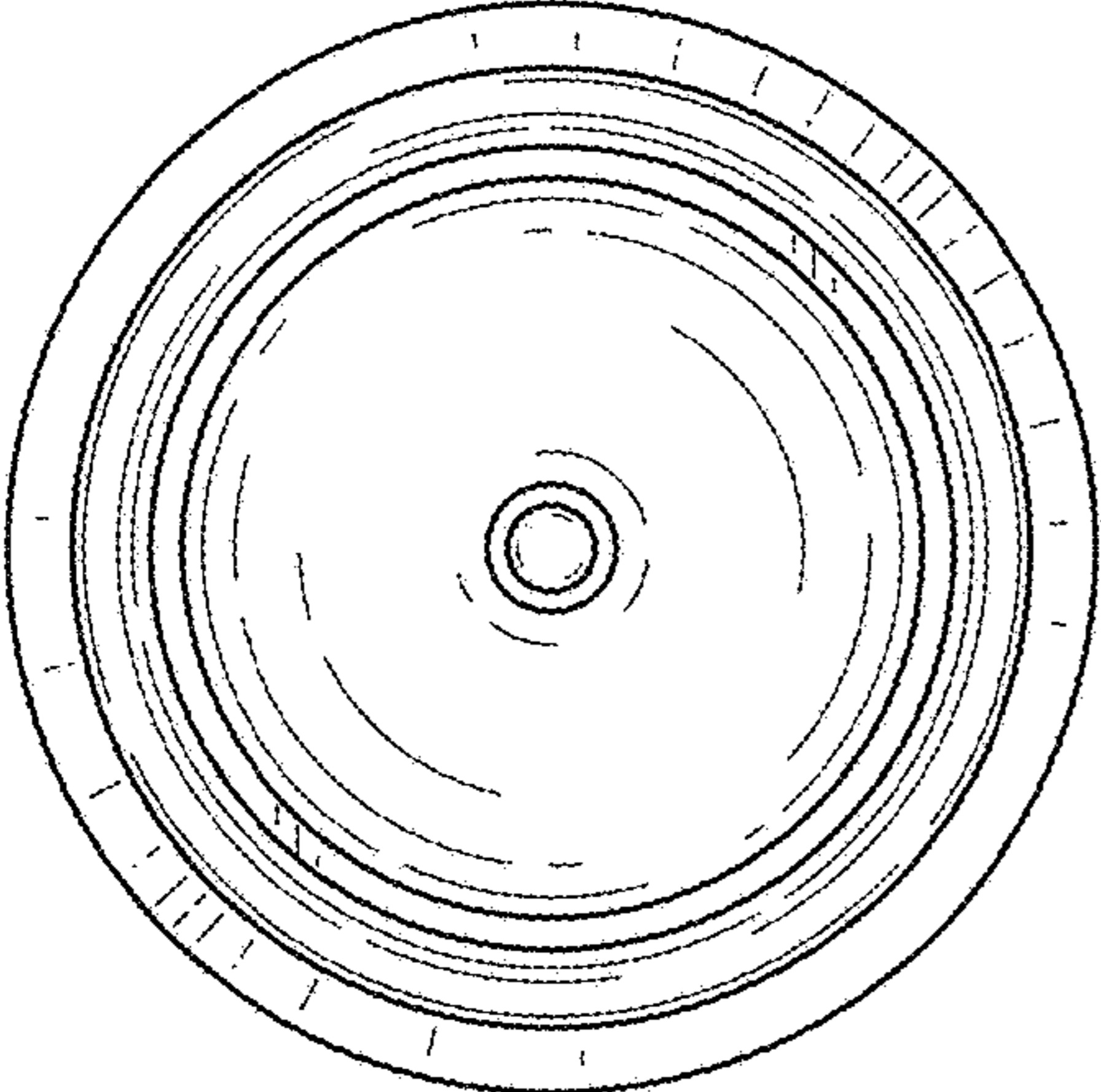


FIG. 6

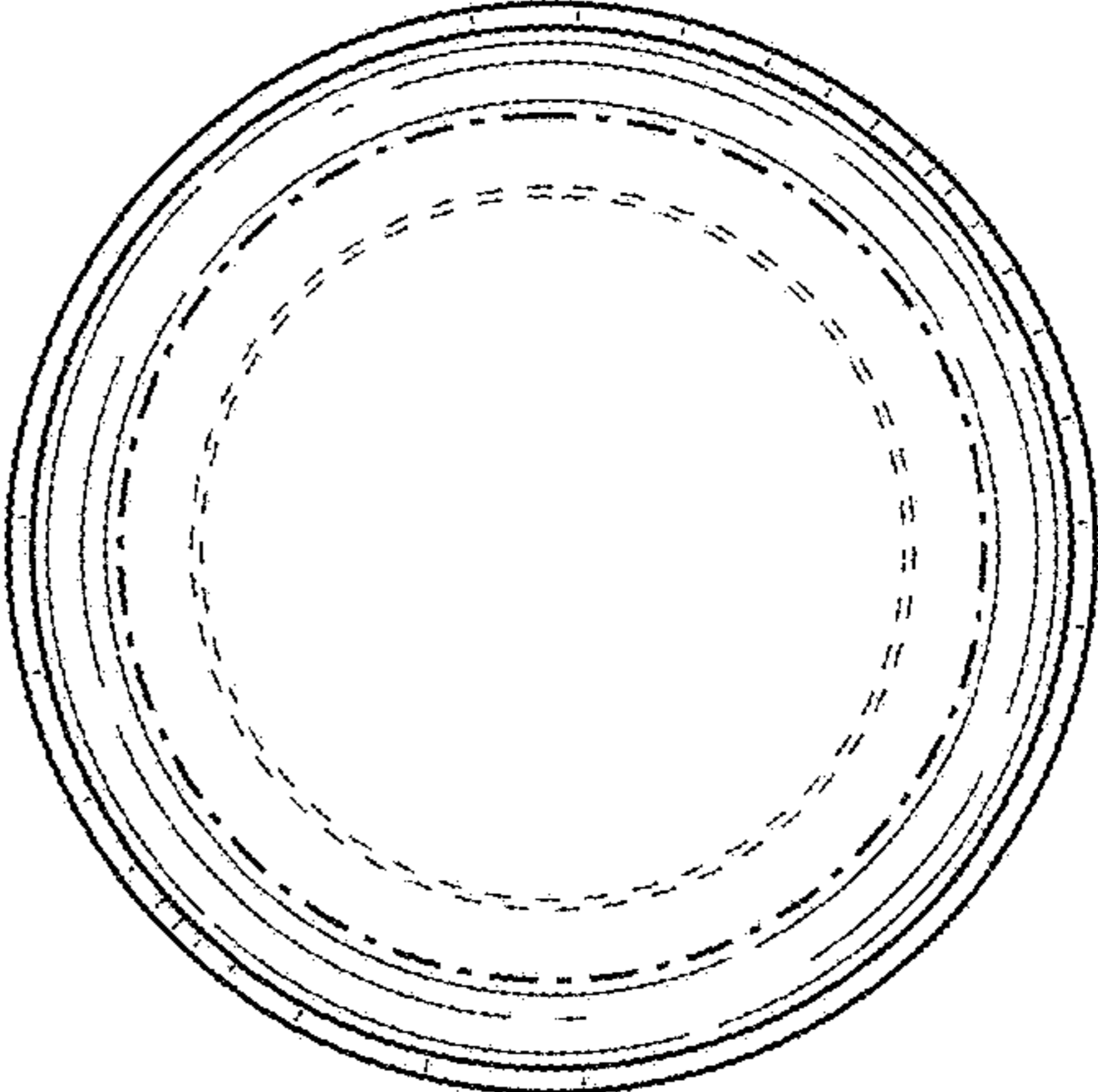


FIG. 7

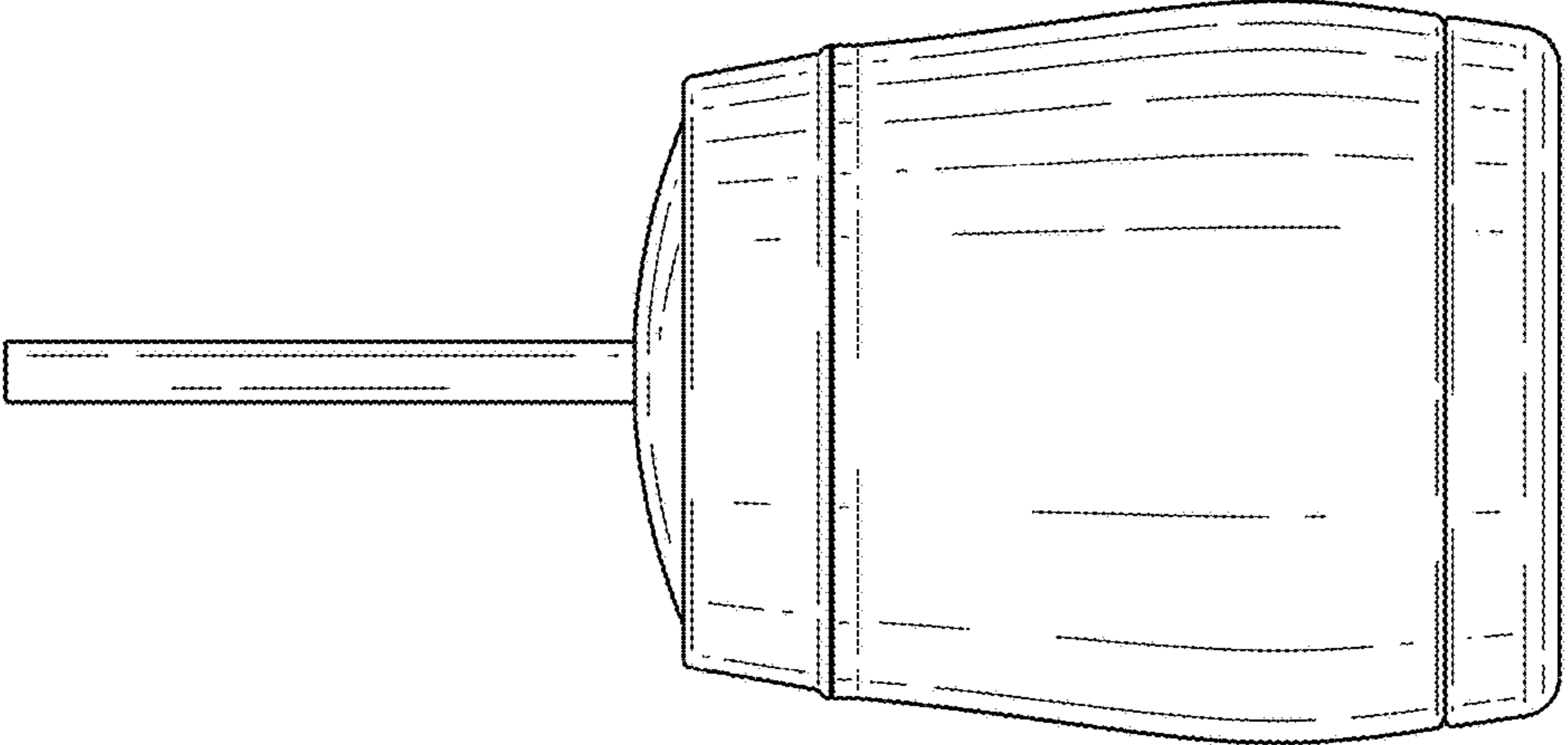


FIG. 5

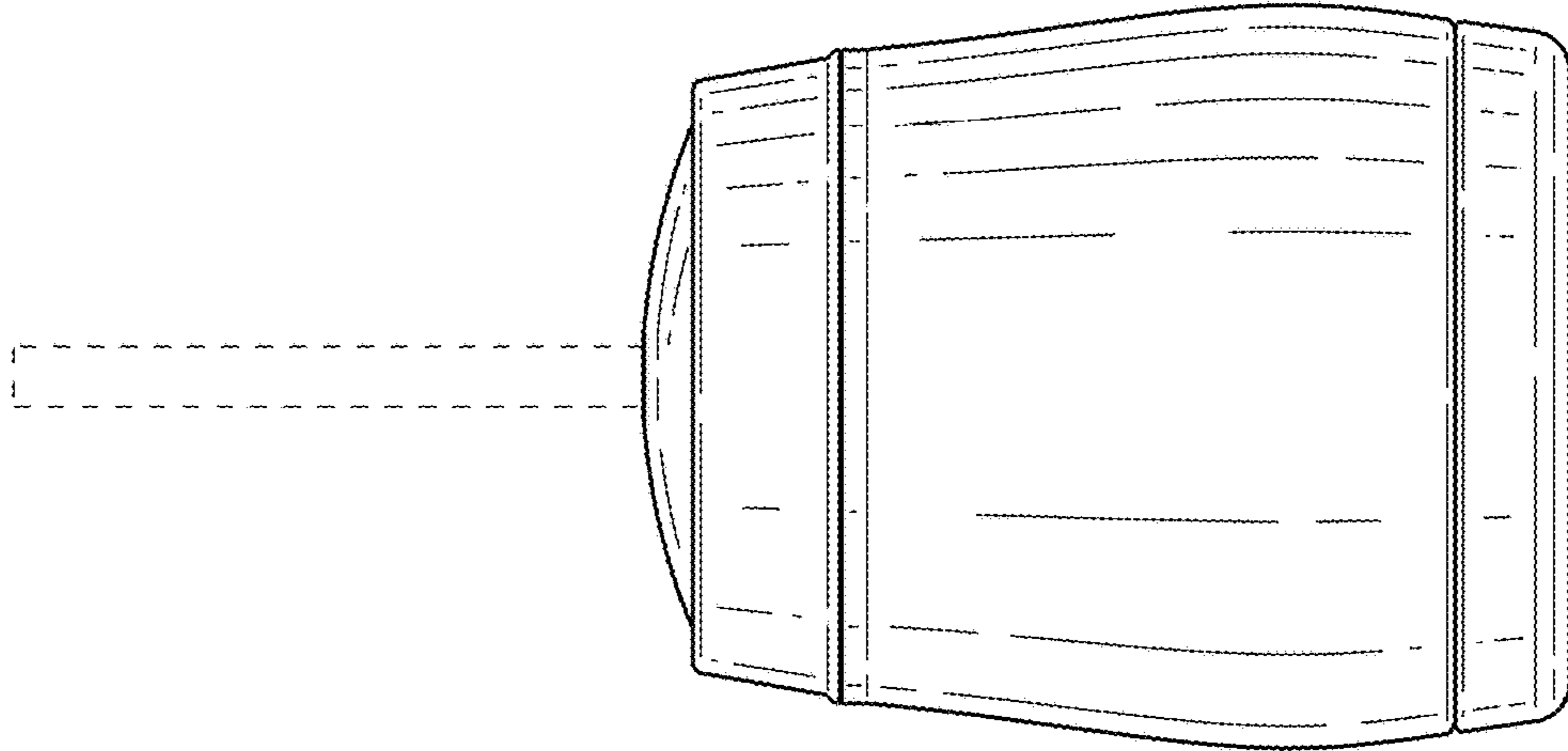


FIG. 9

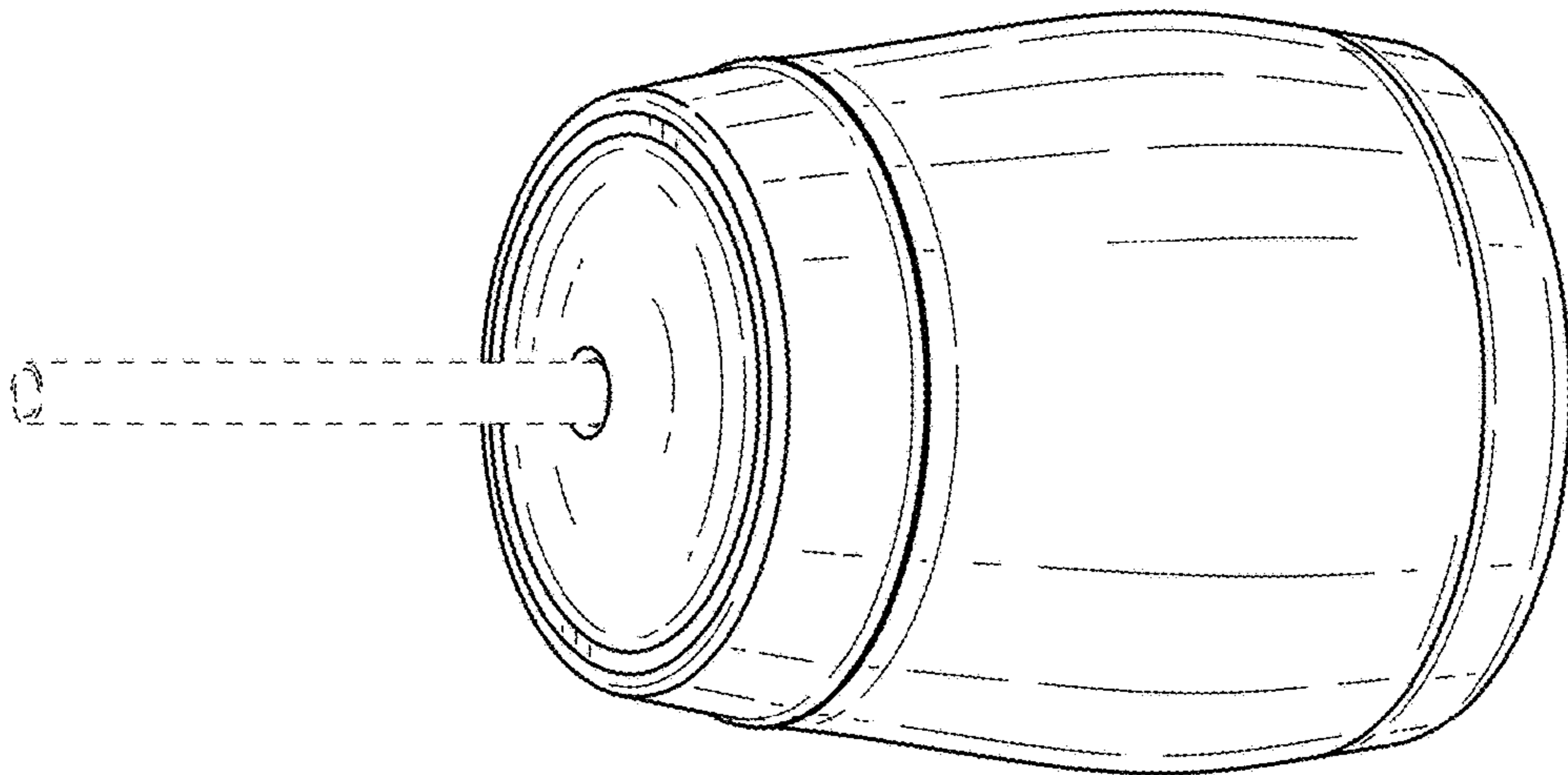


FIG. 8

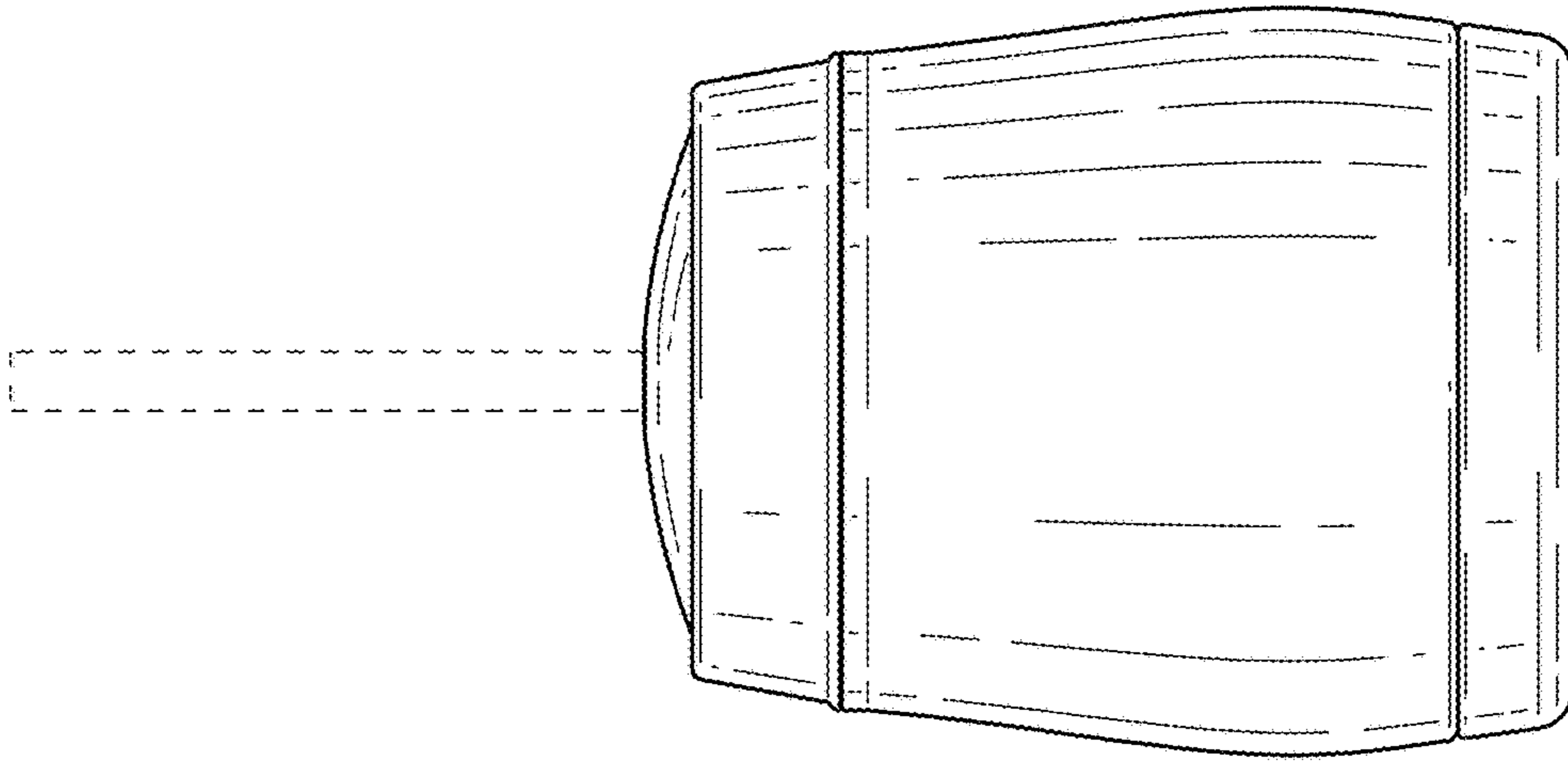


FIG. 11

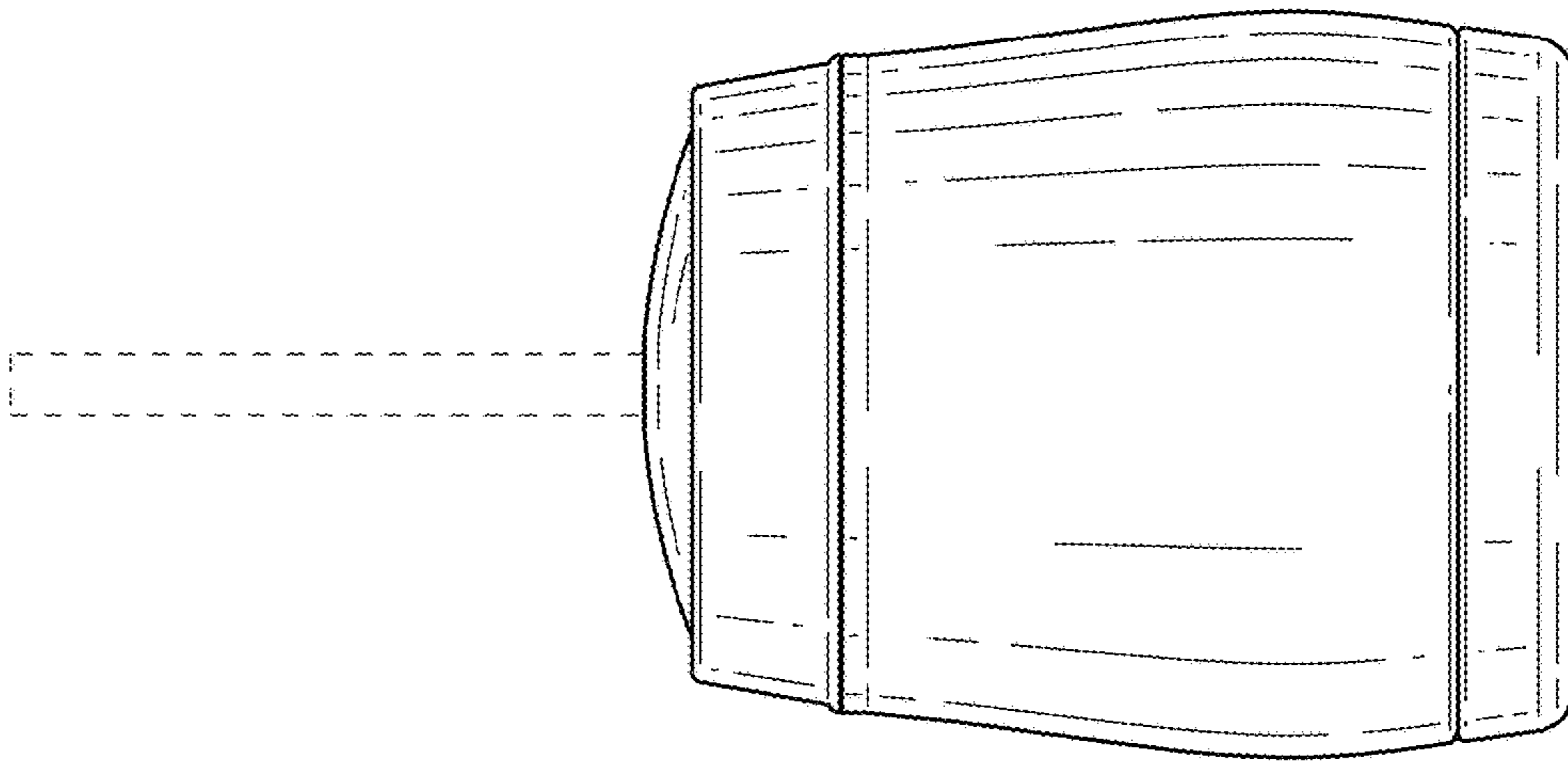


FIG. 10

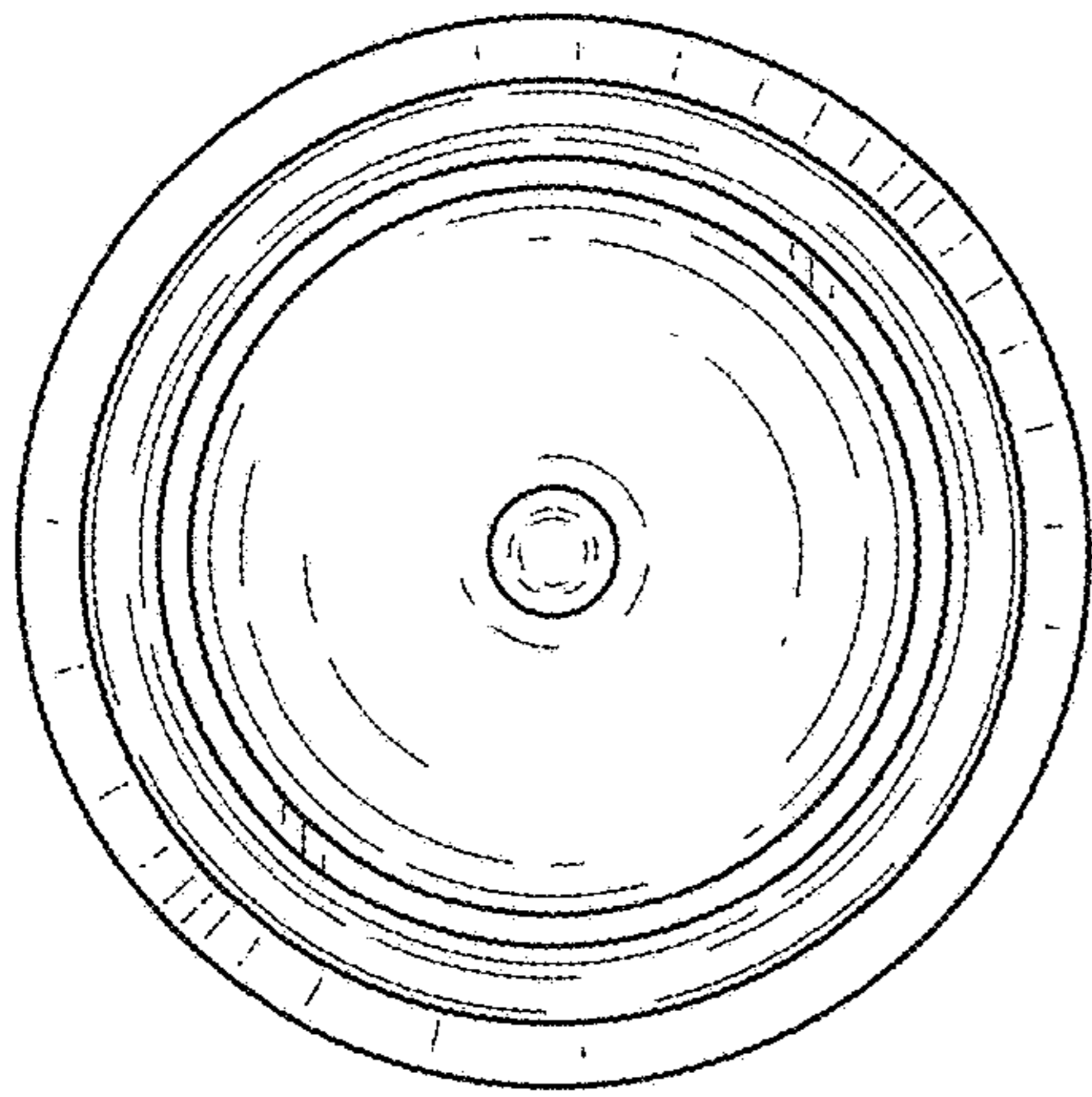


FIG. 13

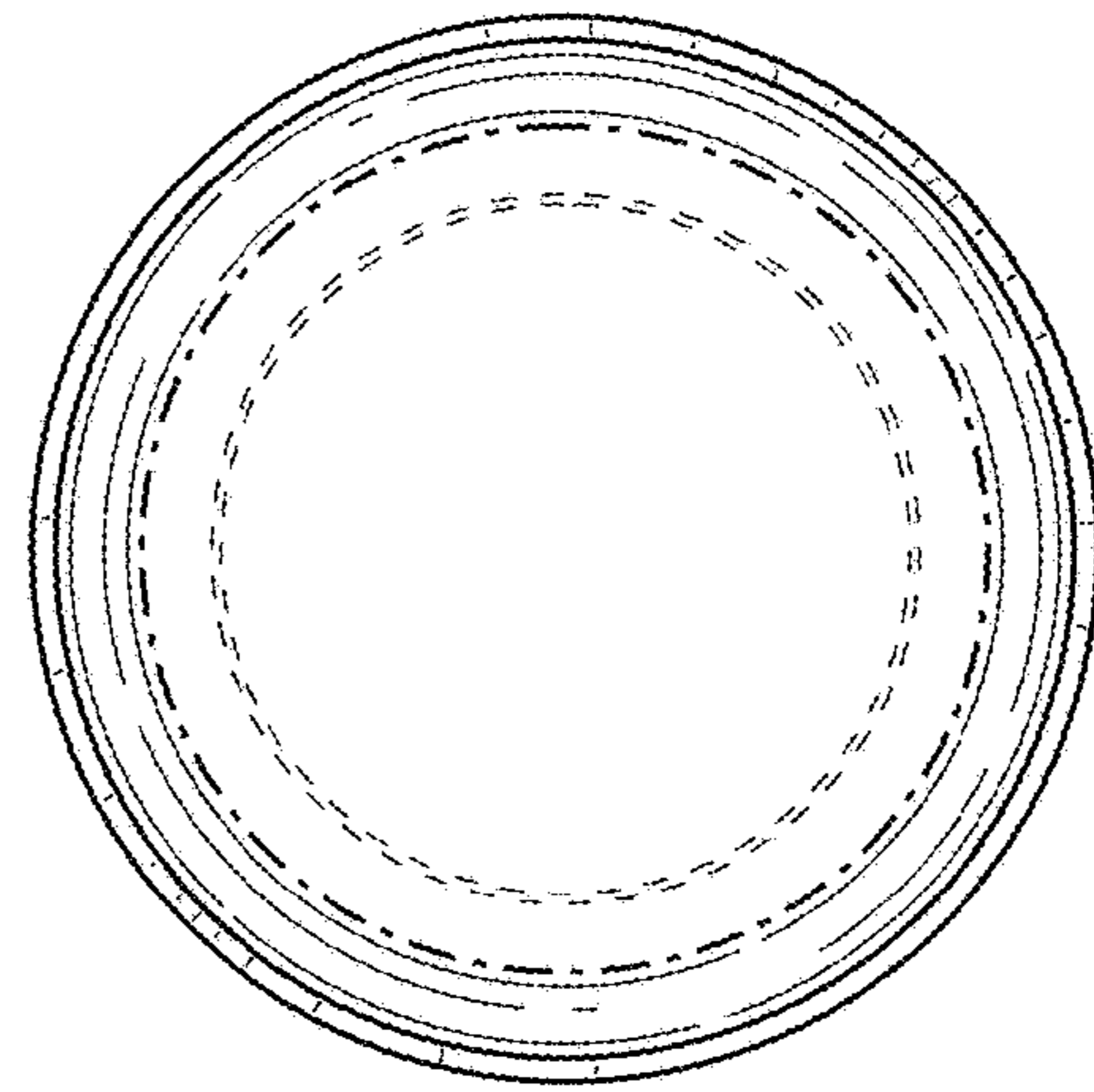


FIG. 14

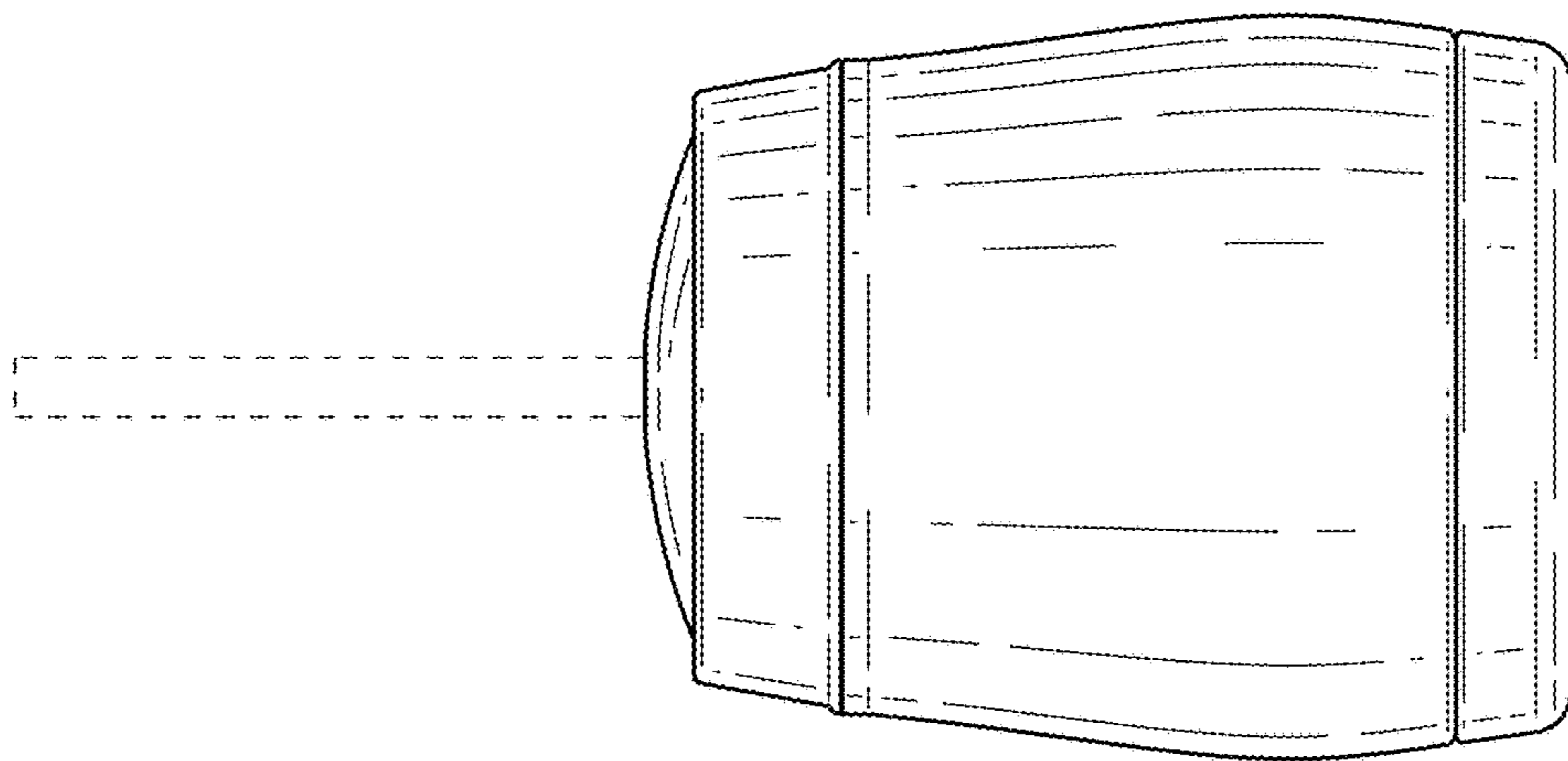


FIG. 12