



US00D790274S

(12) **United States Design Patent** (10) **Patent No.:** **US D790,274 S**
Martin et al. (45) **Date of Patent:** **** Jun. 27, 2017**

(54) **BURNER**

(71) Applicant: **Electrolux Home Products, Inc.**,
Charlotte, NC (US)

(72) Inventors: **Robert Martin**, Charlotte, NC (US);
Scott King, Charlotte, NC (US);
Matthew Vergin, St. Petersburg, FL
(US)

(73) Assignee: **Electrolux Home Products, Inc.**,
Charlotte, NC (US)

D530,972 S 10/2006 Park
D535,515 S 1/2007 Sadtler
D535,847 S 1/2007 Sadtler
D536,568 S 2/2007 Ostlund et al.
D541,577 S 5/2007 Kim
D542,079 S 5/2007 Kim
D557,069 S 12/2007 Shin et al.
D557,548 S 12/2007 Fisher
D557,981 S * 12/2007 Ross D7/407
D560,955 S 2/2008 Shin et al.
D563,714 S 3/2008 Sadtler
(Continued)

(**) Term: **15 Years**

(21) Appl. No.: **29/534,078**

(22) Filed: **Jul. 24, 2015**

(51) **LOC (10) Cl.** **07-02**

(52) **U.S. Cl.**
USPC **D7/407**

(58) **Field of Classification Search**
USPC D7/402-408, 339-340, 346-349,
D7/350.1-351, 323, 330-338
CPC H05B 6/763; H05B 6/6414; H05B 6/6408;
Y02B 40/14; Y02B 40/143; Y02B
40/146; F24C 15/02; F24C 1/00; F24C
14/00; F24C 3/00; F24C 5/00; F24C
7/00; A47J 37/07; A47J 37/06
See application file for complete search history.

(56) **References Cited**

U.S. PATENT DOCUMENTS

34,339 A * 2/1862 Walker A47J 37/06
126/14
D334,866 S * 4/1993 Warren D7/407
D397,910 S * 9/1998 Murphy D7/407
D417,363 S * 12/1999 Deo D7/407
D427,486 S * 7/2000 Bales D7/408
D470,721 S * 2/2003 Home D7/407
D473,747 S 4/2003 Seymour et al.

FOREIGN PATENT DOCUMENTS

CA 086900 A 5/1904
CA 086901 A 5/1904

(Continued)

Primary Examiner — Sheryl Lane
Assistant Examiner — Nicole Shiflet
(74) *Attorney, Agent, or Firm* — Banner & Witcoff, Ltd.

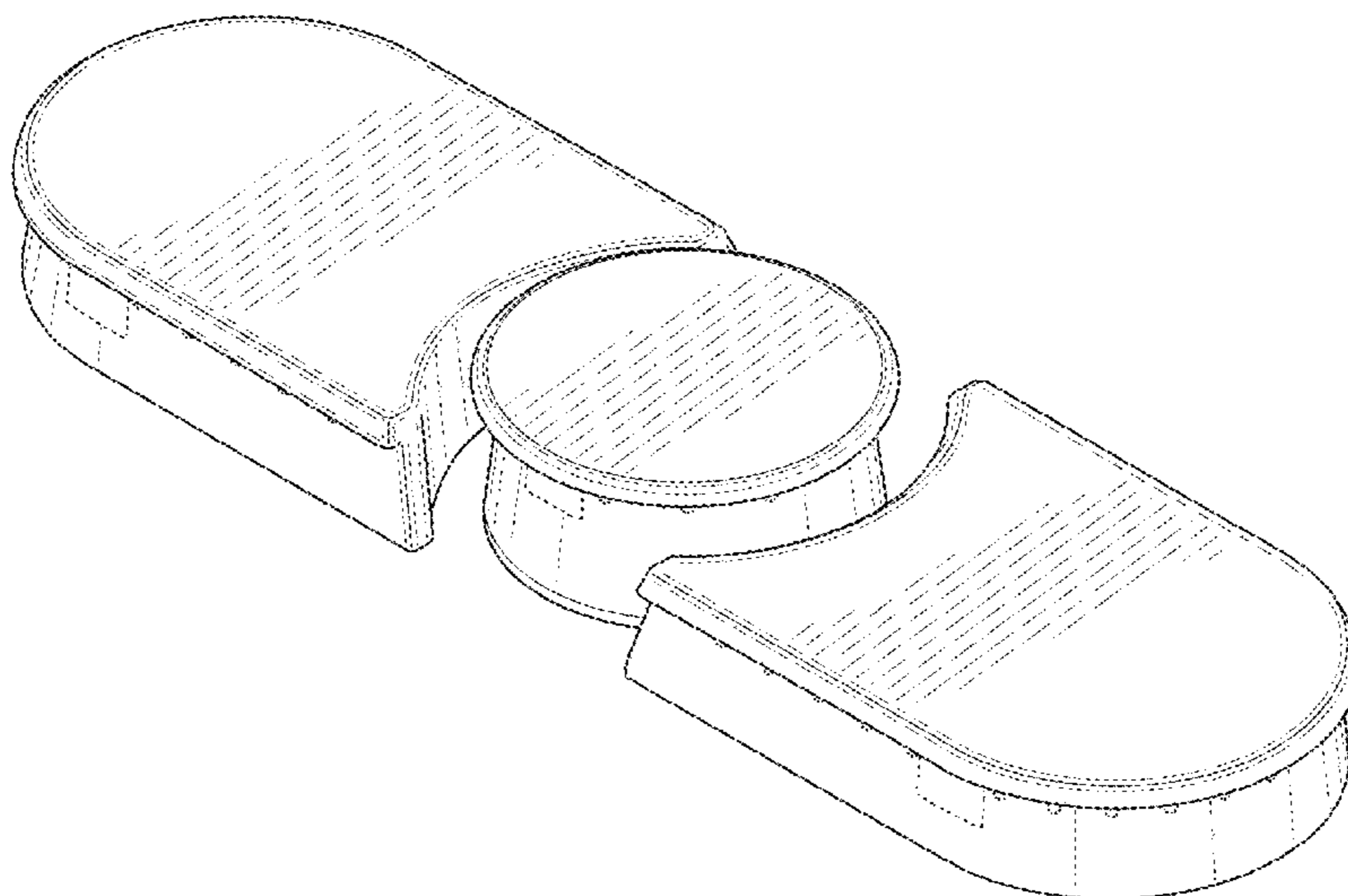
(57) **CLAIM**

The ornamental design for a burner, as shown and described.

DESCRIPTION

FIG. 1 is a front perspective view of a burner showing my new design;
FIG. 2 is a top view thereof;
FIG. 3 is a left side view thereof;
FIG. 4 is a right side view thereof;
FIG. 5 is a front view thereof;
FIG. 6 is a rear view thereof; and,
FIG. 7 is a front perspective view of the burner of FIGS. 1-6 shown on an exemplary cooking appliance.
The broken line showing of the various unshaded regions of the burner and the cooking appliance in FIG. 7 is for environmental purposes only and forms no part of the claimed design.

1 Claim, 5 Drawing Sheets



(56)

References Cited

U.S. PATENT DOCUMENTS

D564,281 S 3/2008 Kim
 D564,282 S 3/2008 Suh et al.
 D565,896 S * 4/2008 Pryor D7/407
 D565,898 S * 4/2008 Pryor D7/407
 D568,100 S 5/2008 Jeon
 D578,823 S 10/2008 Kim
 D587,067 S 2/2009 Kim
 D602,738 S 10/2009 Bengtson et al.
 D605,456 S 12/2009 Bengtson et al.
 D610,863 S 3/2010 Kim et al.
 D615,344 S 5/2010 Grey et al.
 D615,345 S 5/2010 Grey et al.
 D615,800 S 5/2010 Grey et al.
 D615,802 S 5/2010 Grey et al.
 D616,695 S 6/2010 Grey et al.
 D617,133 S 6/2010 Grey et al.
 D622,543 S 8/2010 Funnell et al.
 D623,889 S 9/2010 Kim et al.
 D628,017 S 11/2010 Funnell et al.
 D633,337 S 3/2011 Funnell, II et al.
 D653,900 S 2/2012 Kim et al.
 D654,311 S 2/2012 Benold
 D654,314 S 2/2012 Benold
 D655,128 S 3/2012 Kim et al.
 D656,776 S 4/2012 Funnell, II et al.
 D666,055 S * 8/2012 O'Neil D7/407
 D669,728 S 10/2012 Funnell, II et al.
 D669,729 S 10/2012 Funnell, II et al.
 D670,527 S 11/2012 Kim et al.
 D682,602 S 5/2013 Funnell, II et al.
 D682,603 S 5/2013 Funnell, II et al.
 D684,422 S 6/2013 Funnell, II et al.
 D684,424 S 6/2013 Funnell et al.
 D685,602 S 7/2013 Lee
 D697,358 S 1/2014 Kim et al.
 D699,503 S 2/2014 Funnell, II et al.
 D700,469 S 3/2014 Reay et al.

D701,074 S 3/2014 Funnell, II et al.
 D702,988 S 4/2014 Boo et al.
 D710,150 S 8/2014 Busalt et al.
 2010/0104992 A1* 4/2010 Padgett F23D 14/06
 431/202

FOREIGN PATENT DOCUMENTS

CA 108099 A 10/1907
 CA 108103 A 10/1907
 CA 114155 A 9/1908
 CA 114156 A 9/1908
 CA 114171 A 9/1908
 CA 114172 A 9/1908
 CA 119629 A 7/1909
 CA 119630 A 7/1909
 CA 125490 A 5/1910
 CA 125577 A 5/1910
 CA 130973 A 2/1911
 CA 132022 A 3/1911
 CA 132023 A 3/1911
 CA 132024 A 3/1911
 CA 132137 A 4/1911
 CA 133869 A 6/1911
 CA 135202 A 8/1911
 CA 135203 A 8/1911
 CA 135560 A 9/1911
 CA 135561 A 9/1911
 CA 135680 A 9/1911
 CA 143326 A 10/1912
 CA 143377 A 10/1912
 CA 143378 A 10/1912
 CA 145991 A 2/1913
 CA 145992 A 2/1913
 CA 145993 A 2/1913
 CA 145994 A 2/1913
 CA 145997 A 2/1913
 CA 149668 A 7/1913

* cited by examiner

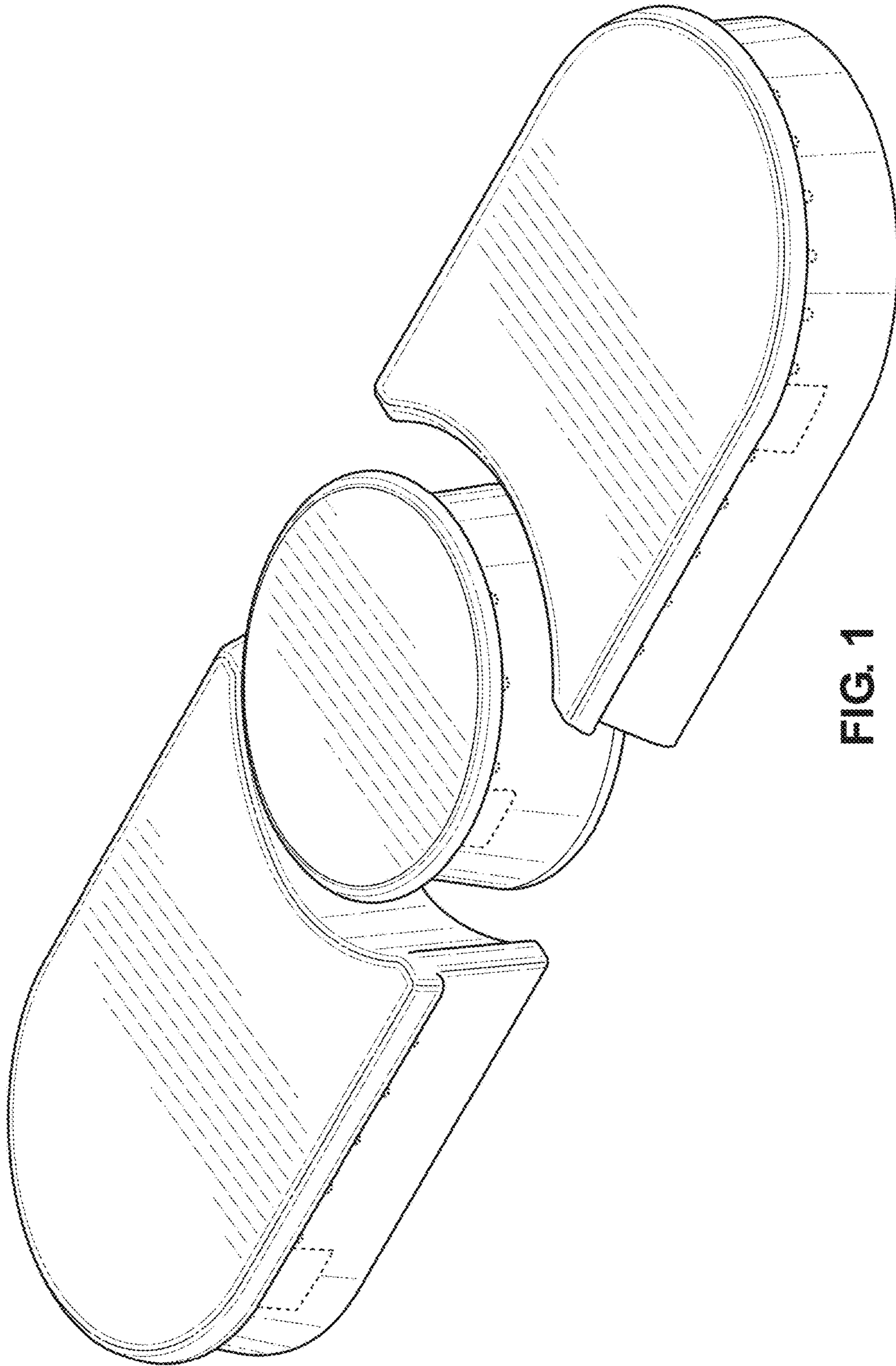


FIG. 1

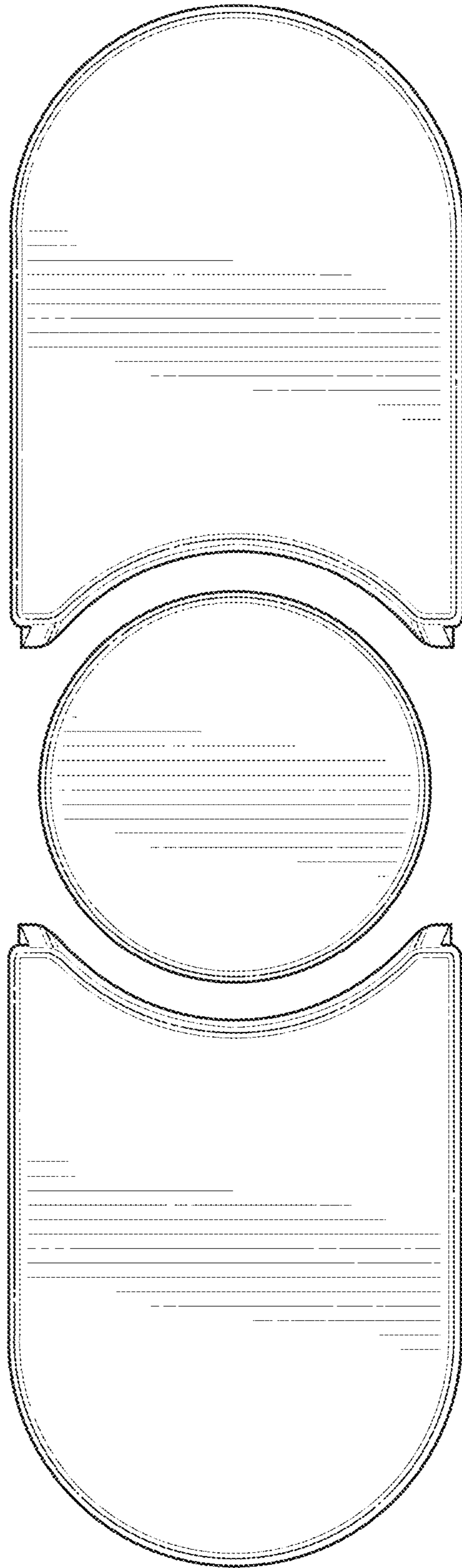


FIG. 2

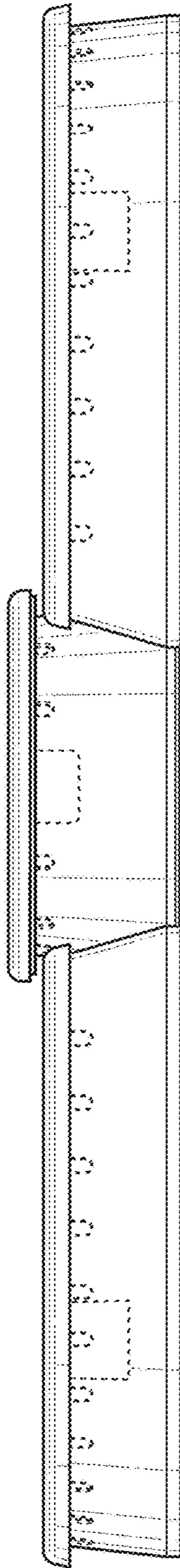


FIG. 3

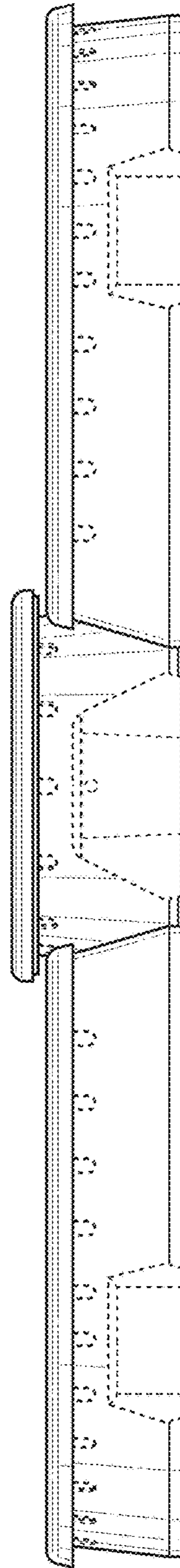


FIG. 4

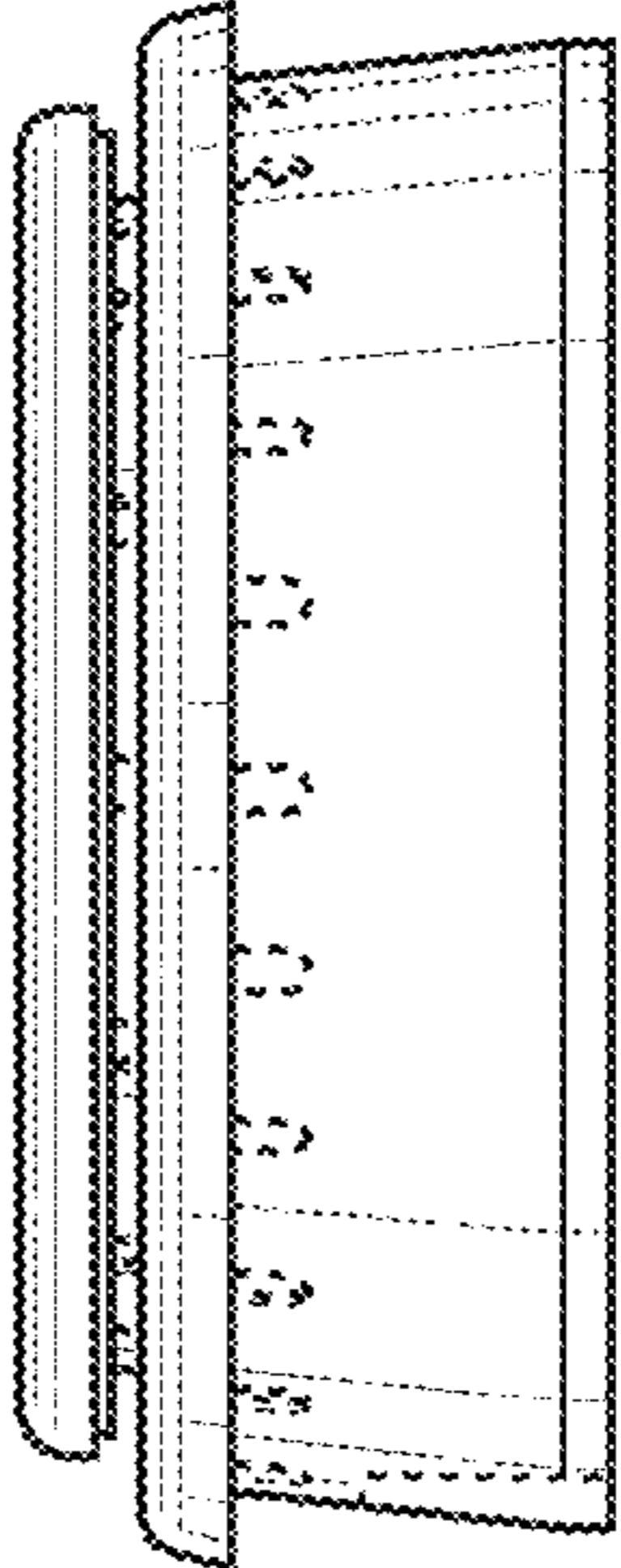


FIG. 5

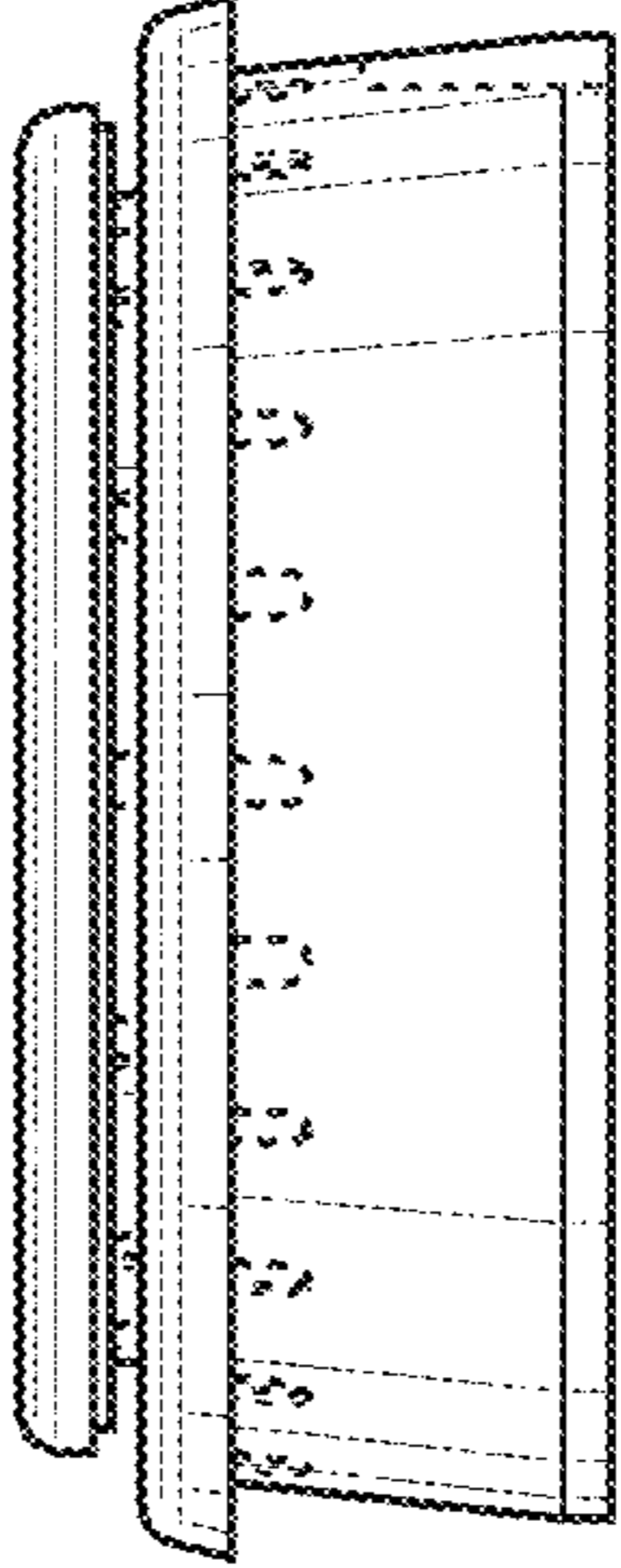


FIG. 6

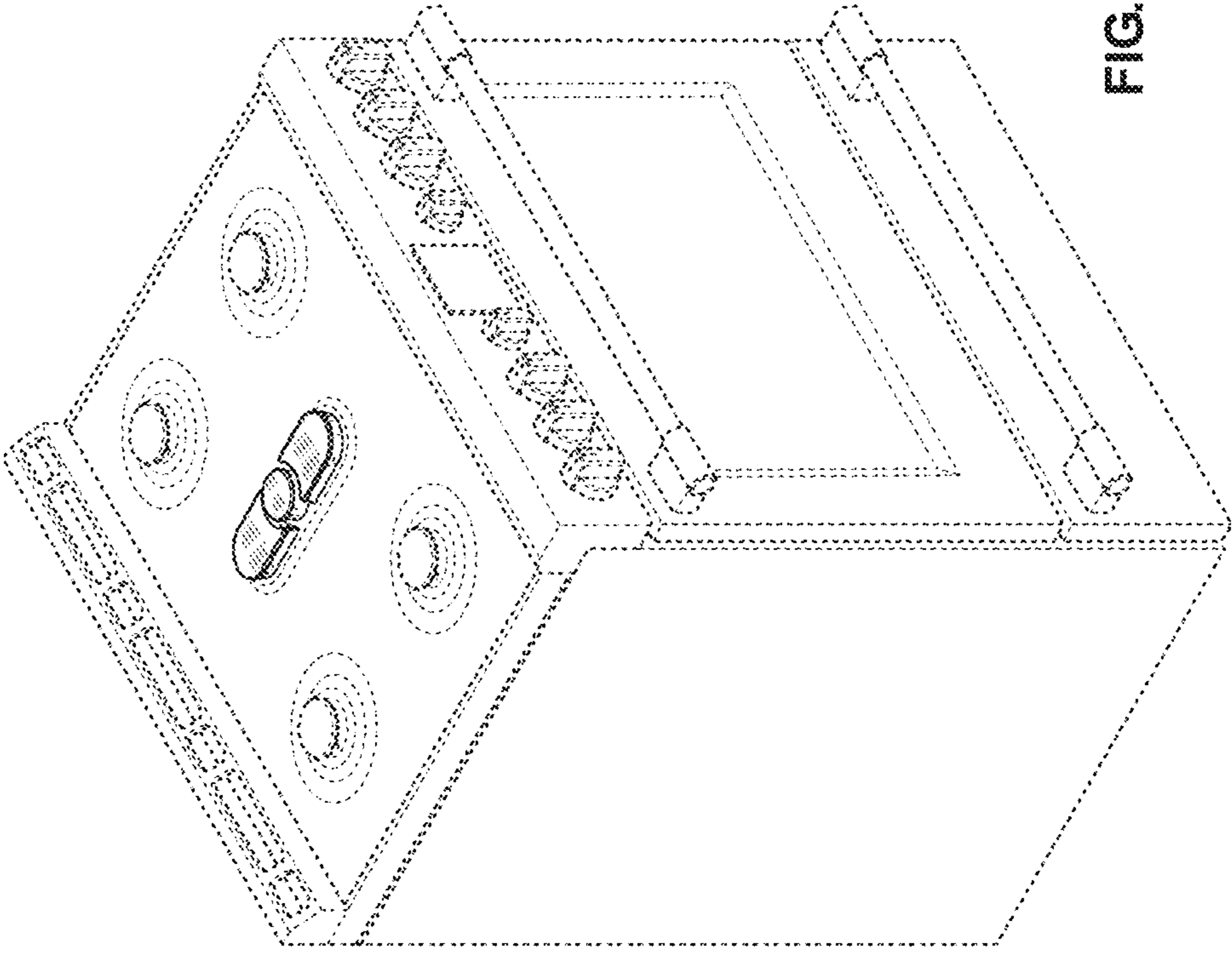


FIG. 7