



US00D790273S

(12) **United States Design Patent** (10) **Patent No.:** **US D790,273 S**
Vergin et al. (45) **Date of Patent:** **** Jun. 27, 2017**

(54) **CONTROL REGION FOR A COOKING APPLIANCE**

D577,983 S 10/2008 Martin et al.
D581,213 S * 11/2008 Green D7/405
D612,685 S * 3/2010 Baker D7/405

(Continued)

(71) Applicant: **Electrolux Home Products, Inc.**,
Charlotte, NC (US)

FOREIGN PATENT DOCUMENTS

(72) Inventors: **Matthew Vergin**, St. Petersburg, FL
(US); **Scott King**, Charlotte, NC (US)

CA 114212 A 9/1908
CA 122043 A 11/1909

(Continued)

(73) Assignee: **Electrolux Home Products, Inc.**,
Charlotte, NC (US)

OTHER PUBLICATIONS

(**) Term: **15 Years**

Best Slide in Gas Range, by Bob Allaire, Bellingham Electric [online], published Dec. 28, 2015, [retrieved on Jan. 26, 2017]. Retrieved from the Internet <URL: <http://blog.bellinghamelectric.com/blog/best-slide-in-gas-range-frigidaire-versus-bosch>>.*

(Continued)

(21) Appl. No.: **29/534,082**

(22) Filed: **Jul. 24, 2015**

(51) **LOC (10) Cl.** **07-02**

(52) **U.S. Cl.**
USPC **D7/406**

(58) **Field of Classification Search**
USPC D7/332-351, 362-367, 402-409
CPC F24C 3/00; F24C 3/08; F24C 3/008; F24C 15/00; F24C 15/001; H05B 6/763; H05B 6/6414; H05B 6/6408; Y02B 40/143; Y02B 40/146

See application file for complete search history.

Primary Examiner — Sheryl Lane
Assistant Examiner — Nicole Shiflet
(74) *Attorney, Agent, or Firm* — Banner & Witcoff, Ltd.

(57) **CLAIM**

The ornamental design for a control region for a cooking appliance, as shown and described.

DESCRIPTION

FIG. 1 is a front perspective view of a control region for a cooking appliance showing our new design; FIG. 2 is a front view thereof; FIG. 3 is a top view thereof; FIG. 4 is a bottom view thereof; FIG. 5 is a left side view thereof; FIG. 6 is a right side view thereof; and, FIG. 7 is a front perspective view of the control region for a cooking appliance of FIG. 1 shown on an exemplary cooking appliance.

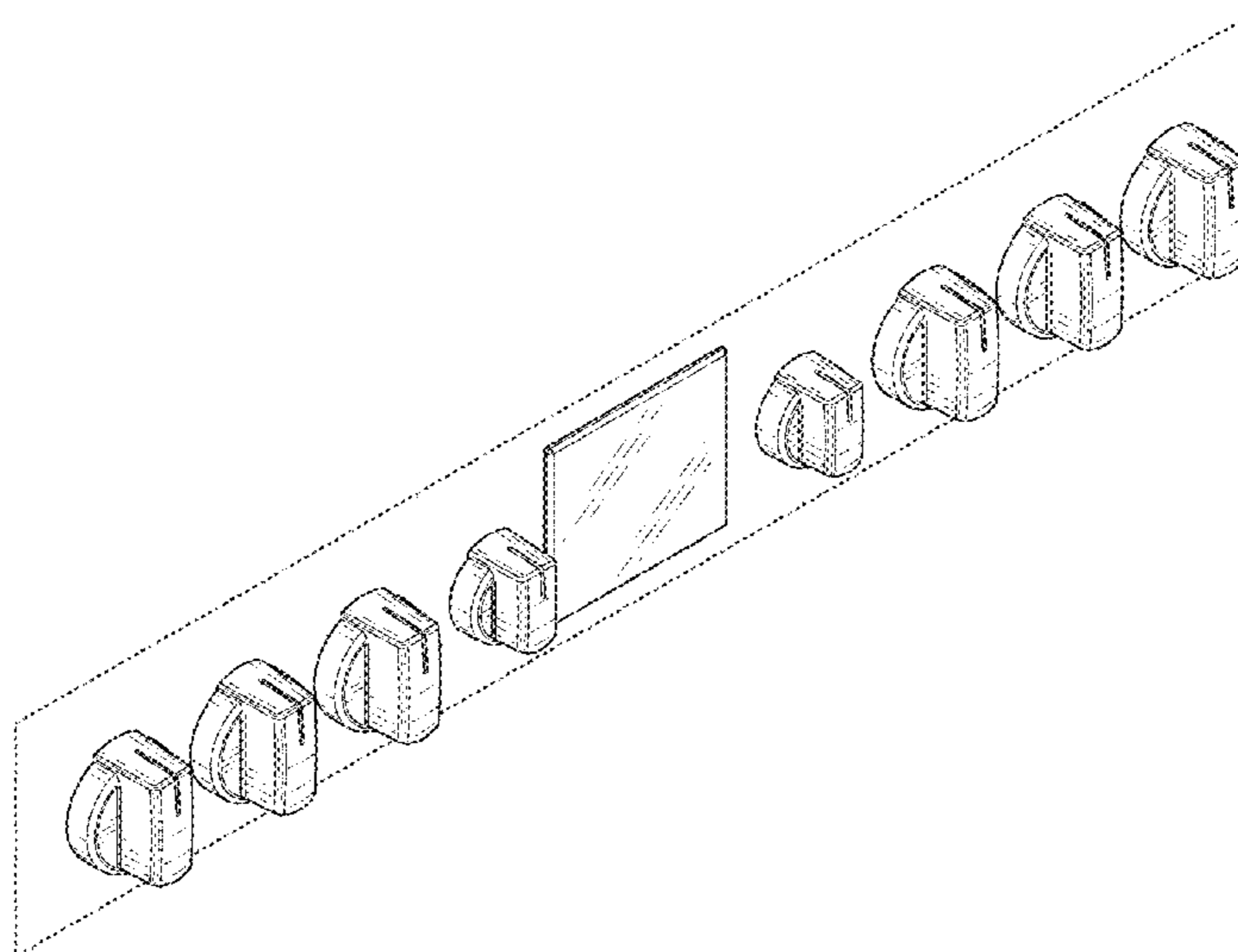
The broken line showing the remainder of the control region and the cooking appliance is for environmental purposes only and forms no part of the claimed design.

1 Claim, 5 Drawing Sheets

(56) **References Cited**

U.S. PATENT DOCUMENTS

D146,327 S 2/1947 Trombley
D487,209 S * 3/2004 MacIntosh D7/334
D498,657 S 11/2004 Milrud et al.
D510,515 S 10/2005 Miller
D511,669 S 11/2005 Milller
D521,314 S 5/2006 Ball
D555,976 S * 11/2007 Baldwin D7/405
D563,757 S 3/2008 Cruver, IV et al.
D564,837 S * 3/2008 Green D7/406
D567,060 S 4/2008 Busalt et al.
D573,000 S 7/2008 Martin et al.



(56)

References Cited

U.S. PATENT DOCUMENTS

D612,704 S 3/2010 Funnell et al.
 D612,705 S 3/2010 Baker et al.
 D628,457 S 12/2010 Bengtson
 D634,156 S 3/2011 Fuller et al.
 D634,602 S 3/2011 Bengtson
 D637,886 S 5/2011 Bengtson
 D642,042 S 7/2011 Kim et al.
 D642,418 S * 8/2011 Kim D7/340
 D645,702 S * 9/2011 Baacke D7/405
 D654,758 S * 2/2012 Thimm D7/334
 D703,998 S 5/2014 Funnell, II et al.
 D710,645 S * 8/2014 Kim D7/340
 D710,673 S 8/2014 Boo et al.
 D715,126 S 10/2014 Kim et al.
 D731,853 S * 6/2015 Busalt D7/405
 D736,027 S * 8/2015 Funnell, II D7/339
 D736,553 S * 8/2015 Funnell, II D7/339
 D745,310 S * 12/2015 Funnell, II D7/349
 D750,414 S * 3/2016 Funnell, II D7/348
 D755,008 S * 5/2016 Kim D7/406
 D755,558 S * 5/2016 Lee D7/340
 D760,024 S * 6/2016 Funnell, II D7/405
 D763,617 S * 8/2016 Kim D7/339
 D766,697 S * 9/2016 Vergin D8/311
 D767,325 S * 9/2016 Funnell, II D7/346

D767,326 S * 9/2016 Shoemaker D7/339
 D770,839 S * 11/2016 Shoemaker D7/348
 D773,232 S * 12/2016 Shoemaker D7/339
 D773,917 S * 12/2016 Shoemaker D8/311
 2010/0006085 A1* 1/2010 Thomas F24C 15/325
 126/21 A

FOREIGN PATENT DOCUMENTS

CA 130016 A 12/1910
 CA 137424 A 12/1911
 CA 137425 A 12/1911
 CA 143380 A 10/1912

OTHER PUBLICATIONS

Frigidaire FPGF3077QF Range Review, by Brian Bennett, CNet [online], published May 13, 2015, [retrieved on Jan. 26, 2017]. Retrieved from the Internet <URL: <https://www.cnet.com/products/frigidaire-fpgf3077qf-range/review/>>.*
 Dayton Hamvention Flea Market, by Thomas, The SWLing Post [online], published May 17, 2014, [retrieved on Jan. 26, 2017]. Retrieved from the Internet <URL: <http://swling.com/blog/2014/05/dayton-hamvention-flea-market-a-few-photos/>>.*

* cited by examiner

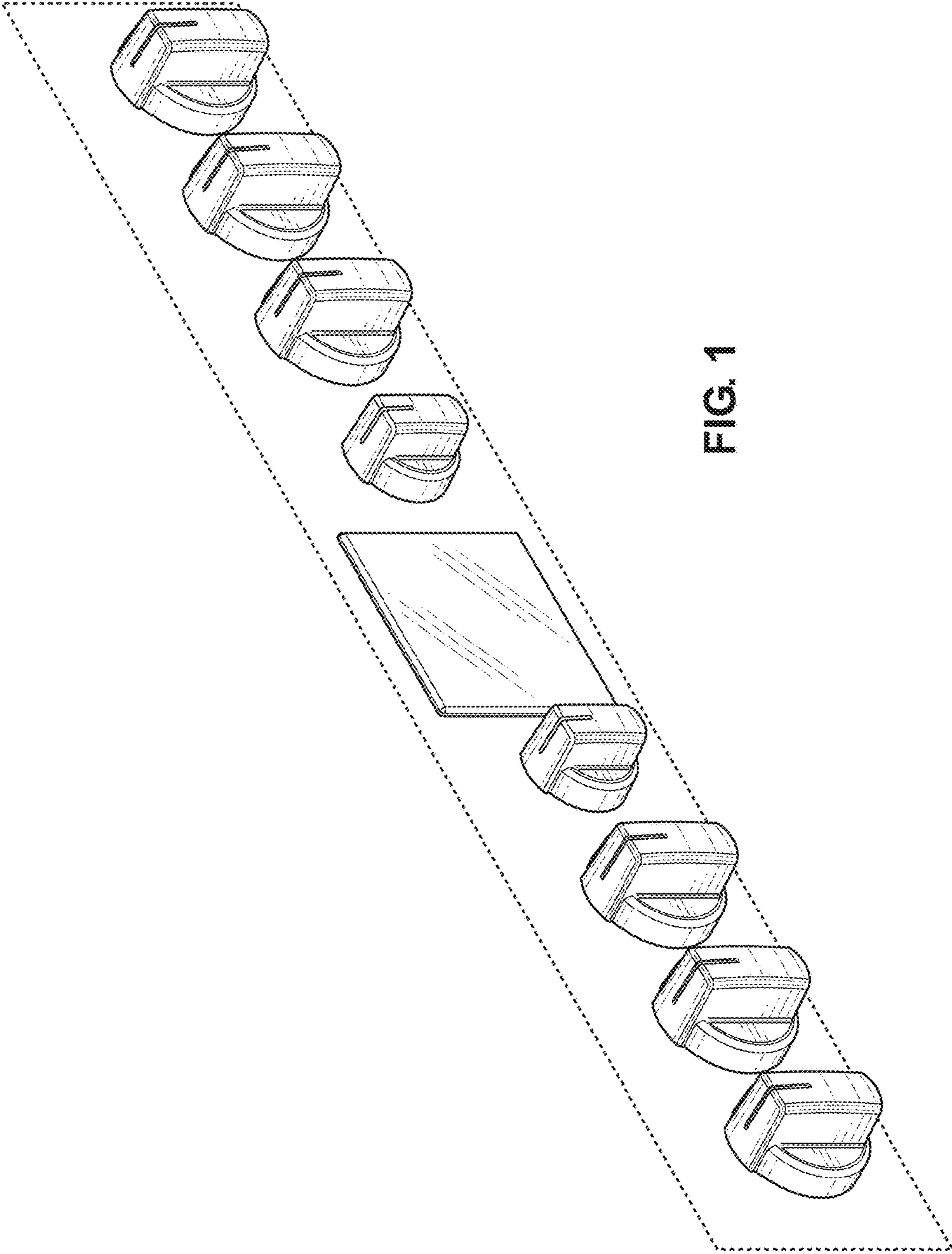


FIG. 1

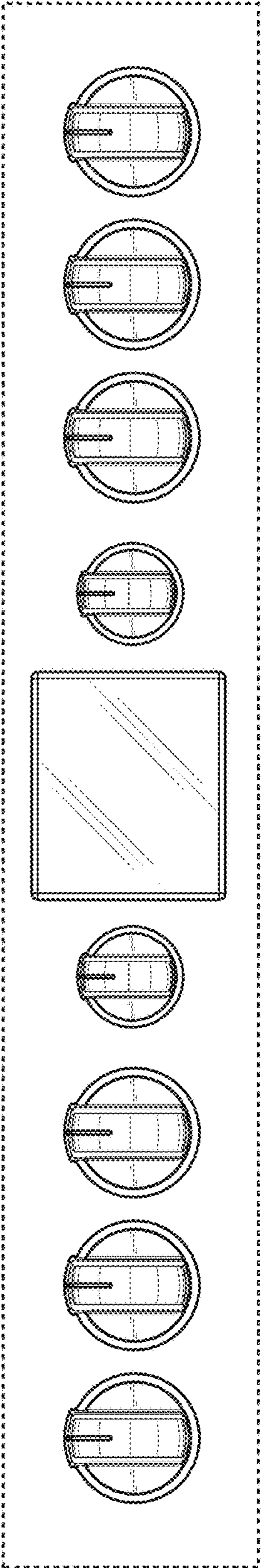


FIG. 2

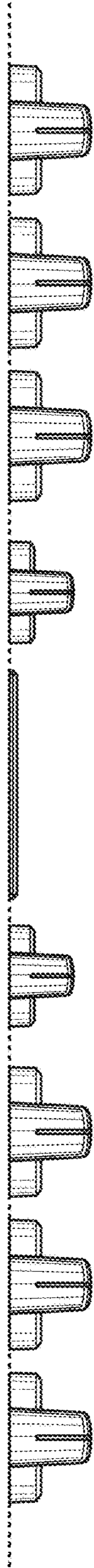


FIG. 3

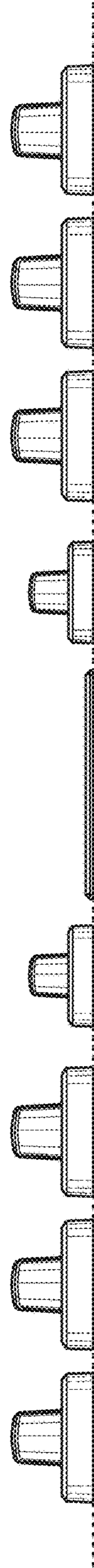


FIG. 4

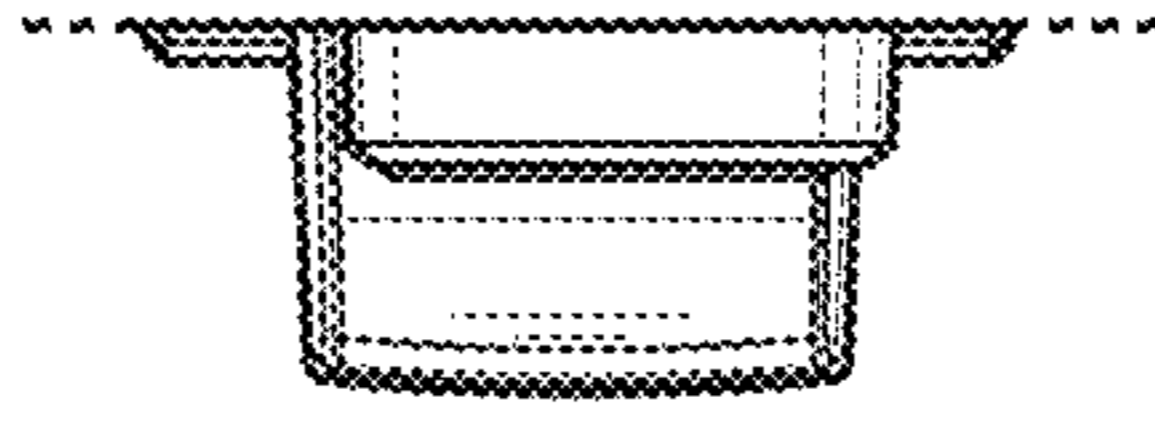


FIG. 6

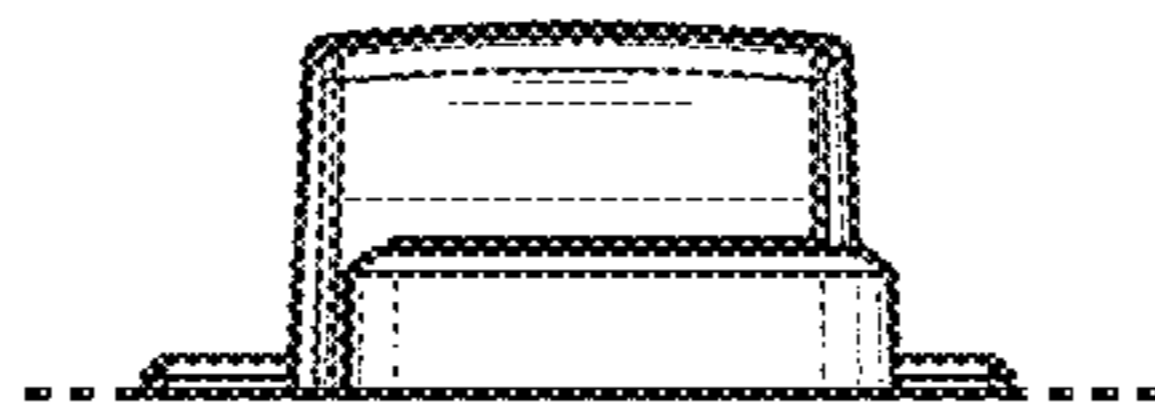


FIG. 5

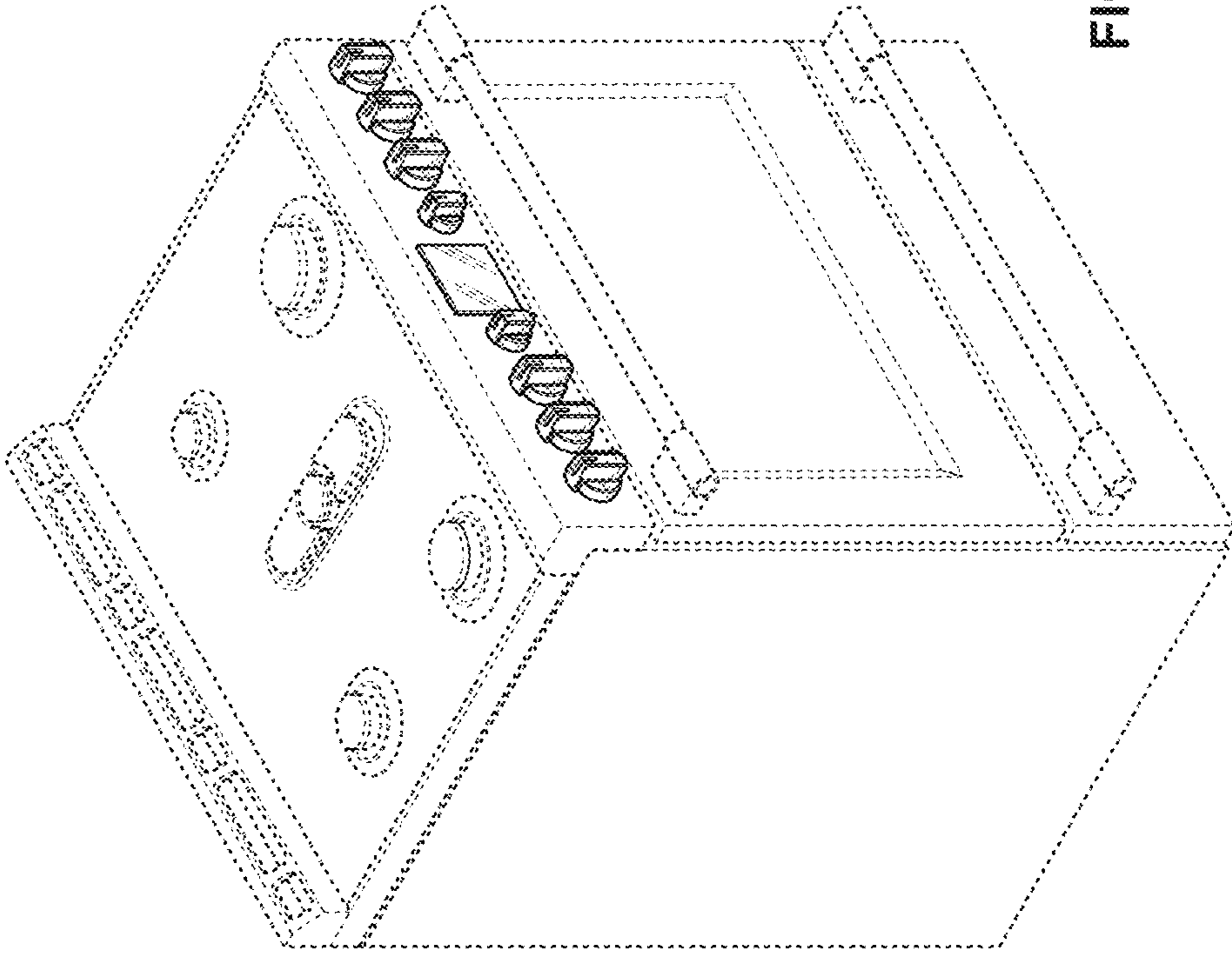


FIG. 7