



US00D790272S

(12) **United States Design Patent**
Han

(10) **Patent No.:** **US D790,272 S**
(45) **Date of Patent:** **** Jun. 27, 2017**

(54) **TRAVEL MUG LID**

- (71) Applicant: **BARENTHAL NORTH AMERICA, INC.**, Whippany, NJ (US)
- (72) Inventor: **Hongyuan Han**, New Vernon, NJ (US)
- (73) Assignee: **BARENTHAL NORTH AMERICA, INC.**, Whippany, NJ (US)
- (**) Term: **15 Years**

(21) Appl. No.: **29/551,363**

(22) Filed: **Jan. 13, 2016**

(51) **LOC (10) Cl.** **07-99**

(52) **U.S. Cl.**

USPC **D7/396.2**

(58) **Field of Classification Search**

USPC ... D7/396.2, 392.1, 509-511, 513, 533, 536, D7/586, 301-303, 619.1; D9/523-525, D9/528-529, 531, 536, 544, 435-436, D9/439, 440, 443, 447, 449; D3/202, D3/215

CPC A47G 19/22; A47G 19/2205; A47G 19/2272; B65D 2543/00046; B65D 2543/00027; B65D 2543/00055; B65D 2543/00009; B65D 2539/00; B65D 39/00; B65D 41/00; B65D 43/00; B65D 43/02; B65D 43/0225; B65D 43/0233; B65D 43/06; B65D 43/12; B65D 47/06; B65D 47/061; B65D 47/065; B65D 47/08; B65D 41/02; B65D 41/023; B65D 41/04

See application file for complete search history.

(56) **References Cited**

U.S. PATENT DOCUMENTS

- D481,591 S * 11/2003 Lin D7/510
- 6,752,287 B1 * 6/2004 Lin A47G 19/2272
- 220/254.9
- D625,951 S * 10/2010 Baek D7/396.2

(Continued)

FOREIGN PATENT DOCUMENTS

WO WO 2009008587 A1 * 1/2009 B65D 43/0212

OTHER PUBLICATIONS

Signature Thermal Travel Mug Slide-Tab Lid, posted at Timolino.com, no posting date given, © 2016, site visited Dec. 26, 2016, <<http://timolino.com/products/signature-thermal-travel-mug-slide-tab-lid>>.*

(Continued)

Primary Examiner — Barbara Fox

Assistant Examiner — Messina L Smith

(74) *Attorney, Agent, or Firm* — Preti Flaherty Beliveau & Pachios LLP

(57) **CLAIM**

The ornamental design for a travel mug lid, as shown.

DESCRIPTION

FIG. 1 is an upper-right perspective view of a travel mug lid according to the presently disclosed invention, in which a slidable closure member is in a closed position.

FIG. 2 is an upper-right perspective view of the travel mug, in which a slidable closure member is in an open position;

FIG. 3 is a rear elevation view of the travel mug lid;

FIG. 4 is a right elevation view thereof;

FIG. 5 is a front elevation view thereof;

FIG. 6 is a left elevation view thereof;

FIG. 7 is a top plan view of the travel mug lid of FIG. 1;

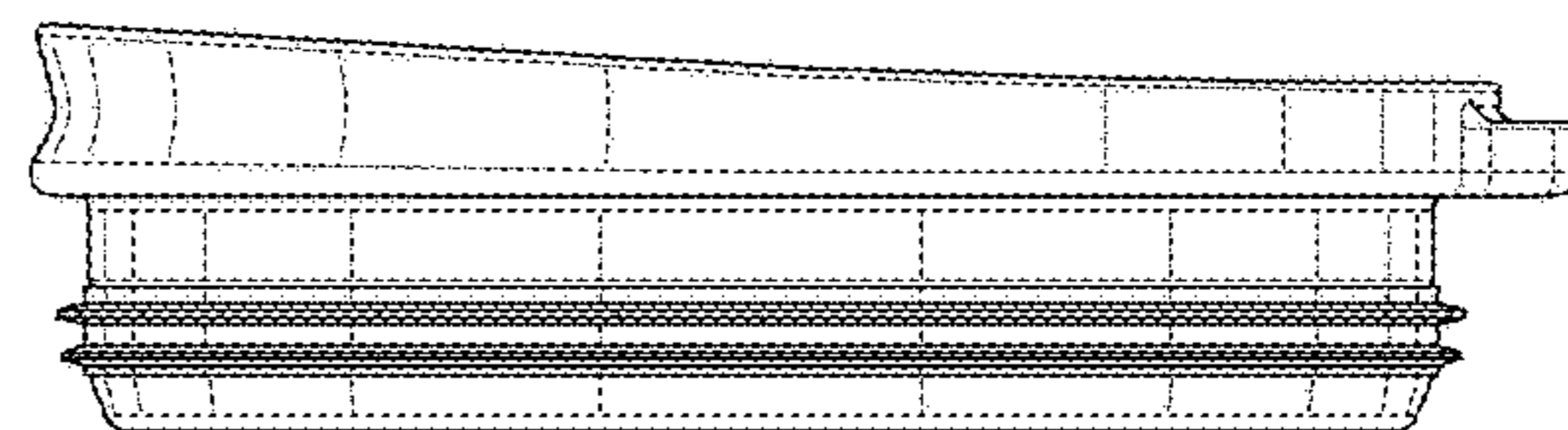
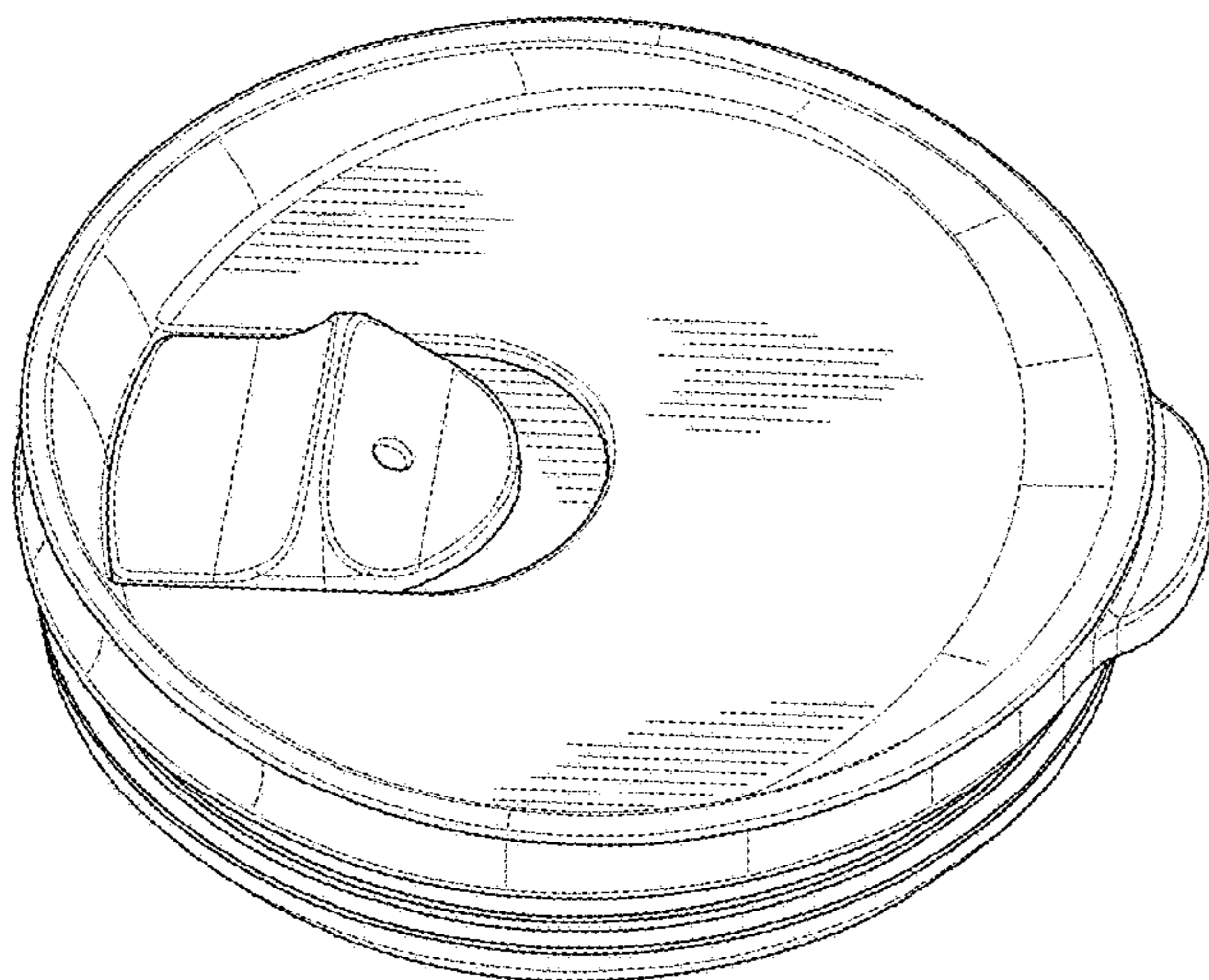
FIG. 8 is a top plan view of the travel mug lid of FIG. 2;

FIG. 9 is a bottom plan view of the travel mug lid of FIG. 1; and,

FIG. 10 is a bottom plan view of the travel mug lid of FIG. 2.

The broken lines in the drawings illustrate portions of the travel mug lid that form no part of the claimed design.

1 Claim, 4 Drawing Sheets



(56)

References Cited

U.S. PATENT DOCUMENTS

D644,060 S * 8/2011 Komeiji D7/392.1
D675,058 S * 1/2013 Lee D7/392.1
D682,611 S * 5/2013 Carder D7/392.1
D734,092 S * 7/2015 Kristinik D7/392.1
D742,173 S * 11/2015 Perman D7/507
D744,280 S * 12/2015 Chiang D7/510
D751,341 S * 3/2016 Seiders D7/396.2
D758,792 S * 6/2016 Karussi D7/392.1
D761,619 S * 7/2016 Seiders D7/392.1
2016/0272384 A1 * 9/2016 Lee B65D 51/18

OTHER PUBLICATIONS

Timolino Travel Mug Lid, posted at Amazon.com, posted on Dec. 4, 2003, site visited Dec. 23, 2016, <<https://www.amazon.com/Timolino-Travel-Mug-Lid/dp/B000153EZ2>>.*

2 Ceramamugs Ceramic Lined Stainless Steel 12oz Travel Mugs With Lids Coffee Tea, posted at Amazon.com, posted on May 17, 2016, site visited Dec. 23, 2016, <https://www.amazon.com/Ceramamugs-Ceramic-Stainless-Travel-Coffee/dp/B01FT7GCNC/ref=sr_1_3?ie=UTF8&qid=1482507798&sr=8-3&keywords=travel+mug+lid+with+slide+opening>.*

* cited by examiner

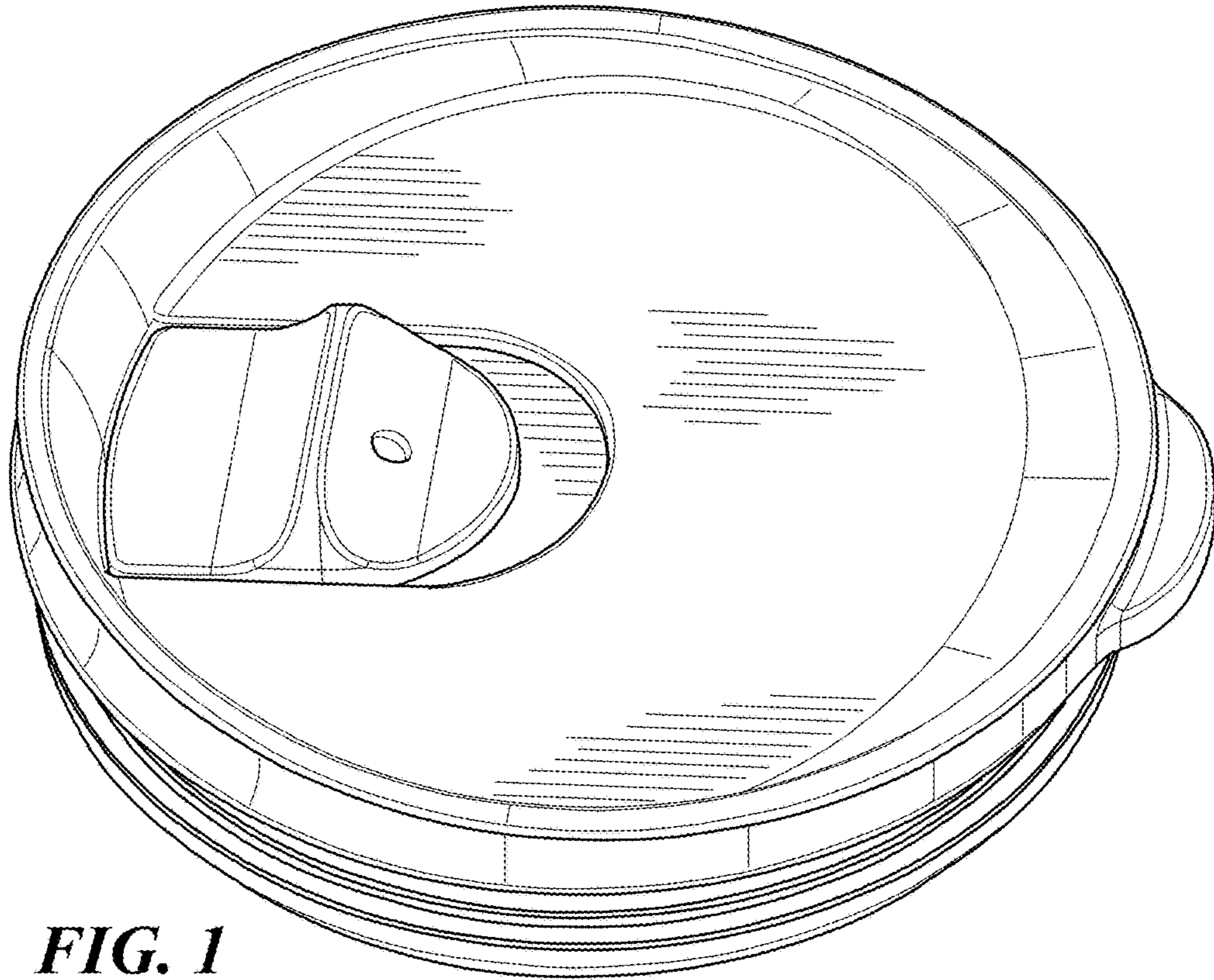


FIG. 1

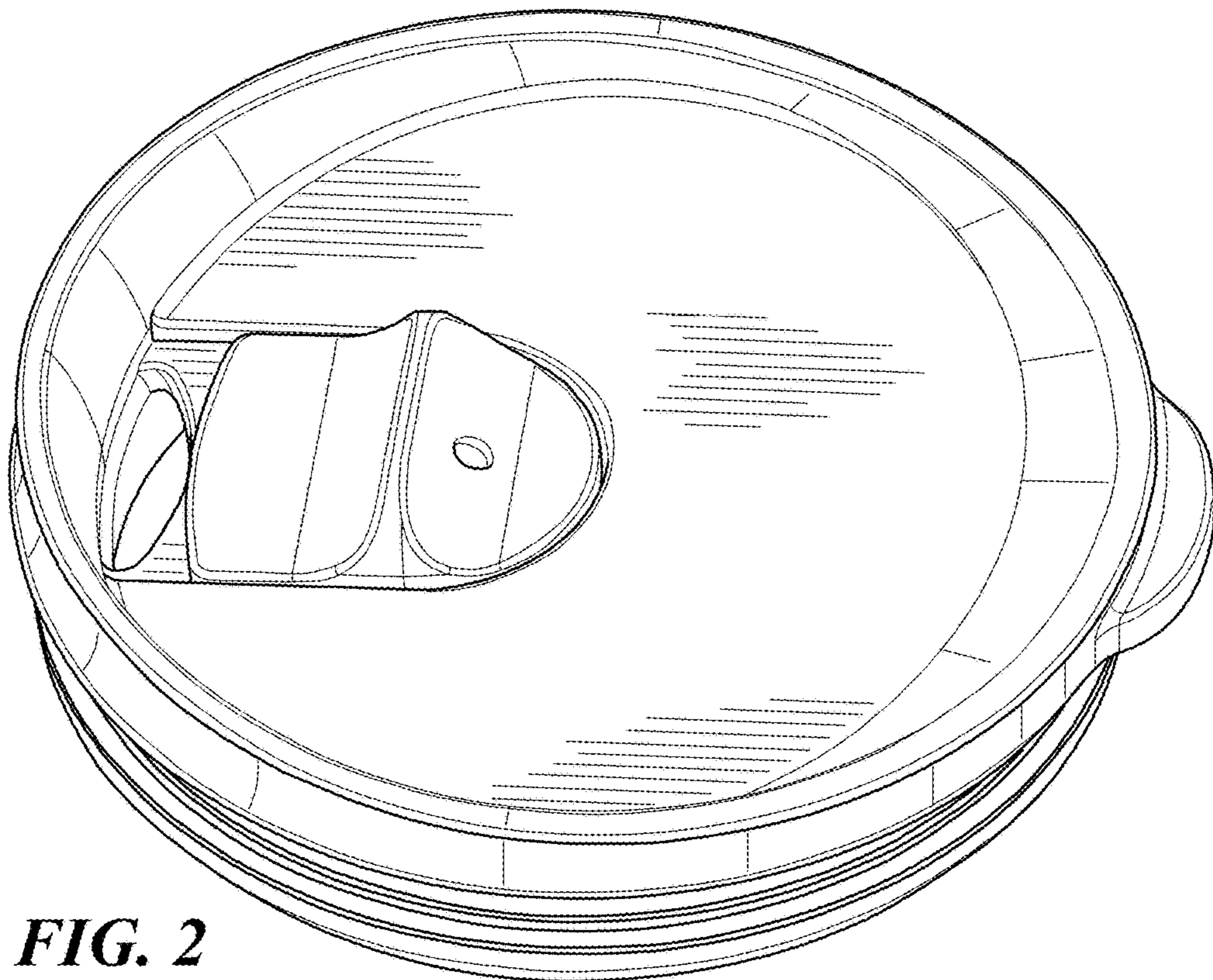


FIG. 2

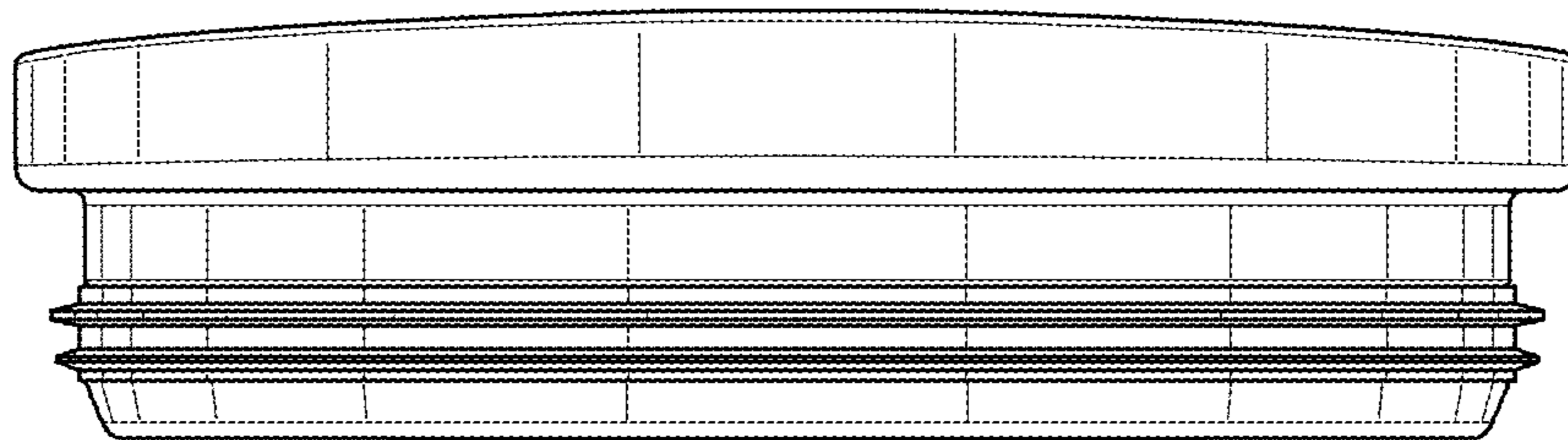


FIG. 3

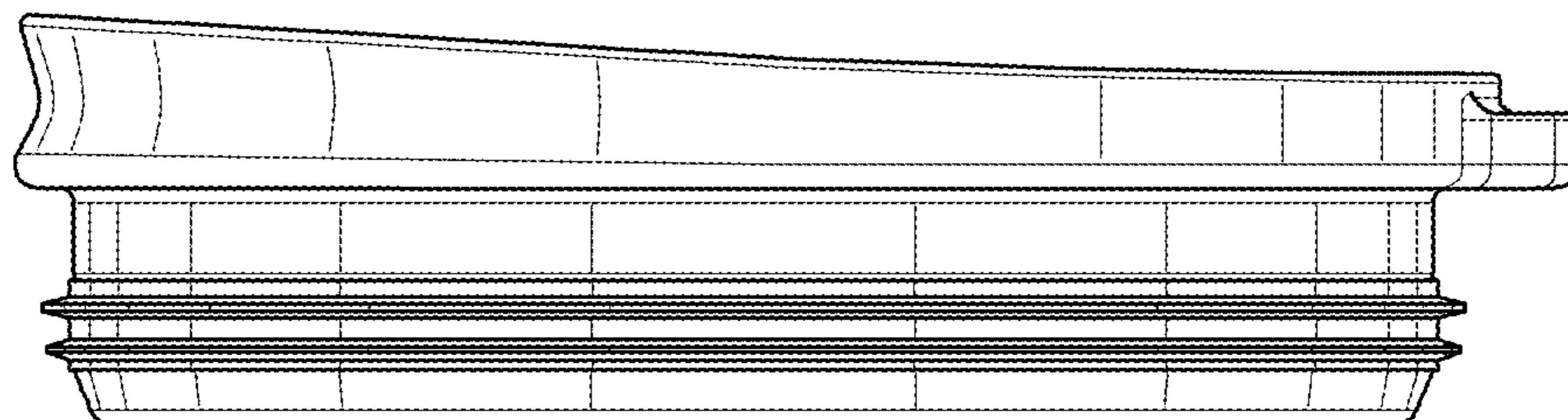


FIG. 4

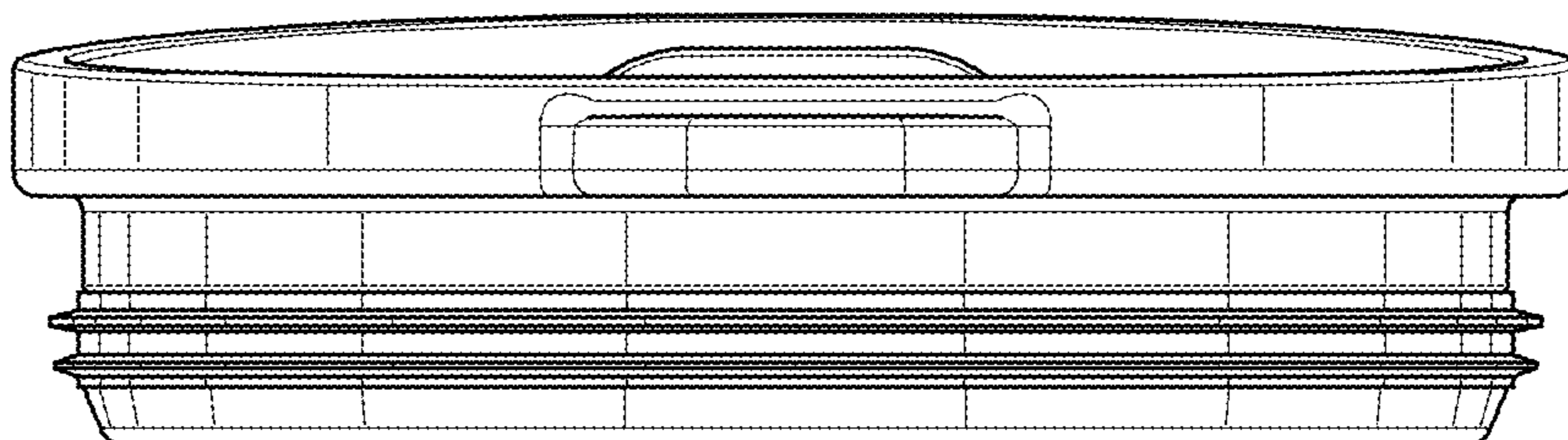


FIG. 5

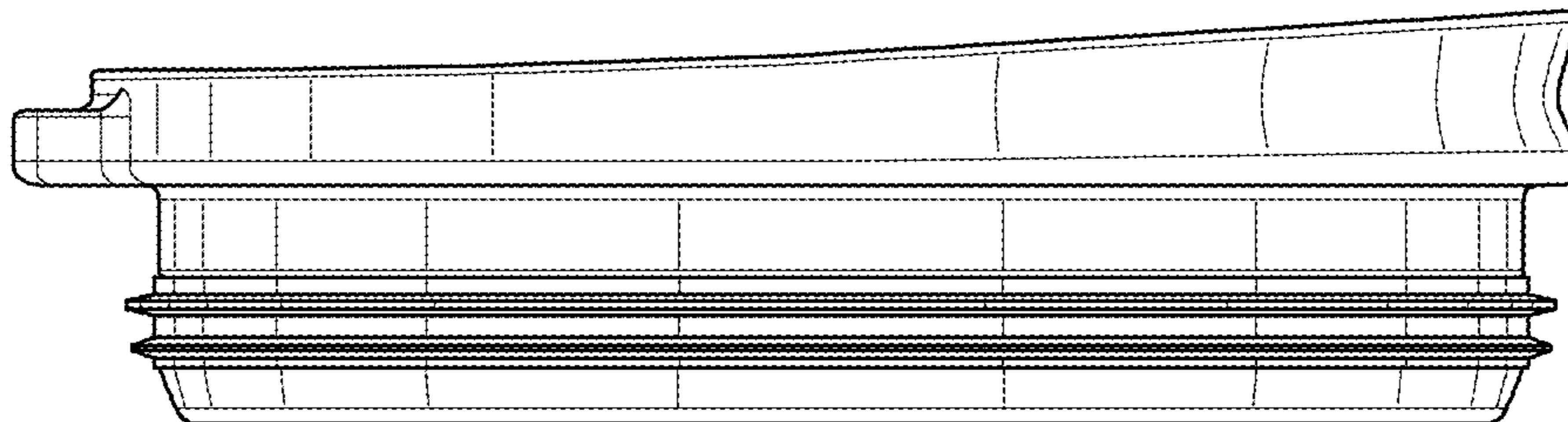


FIG. 6

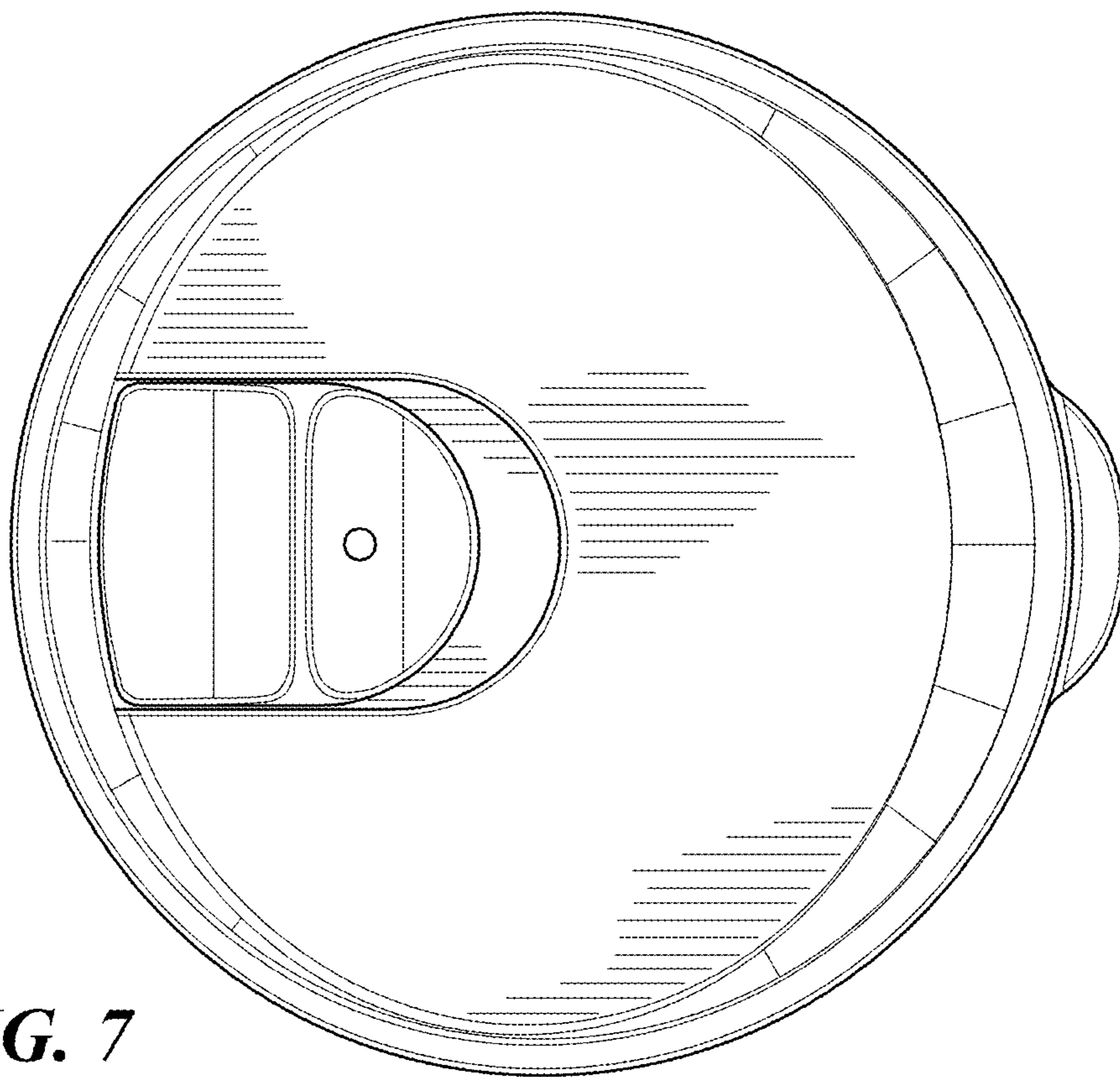


FIG. 7

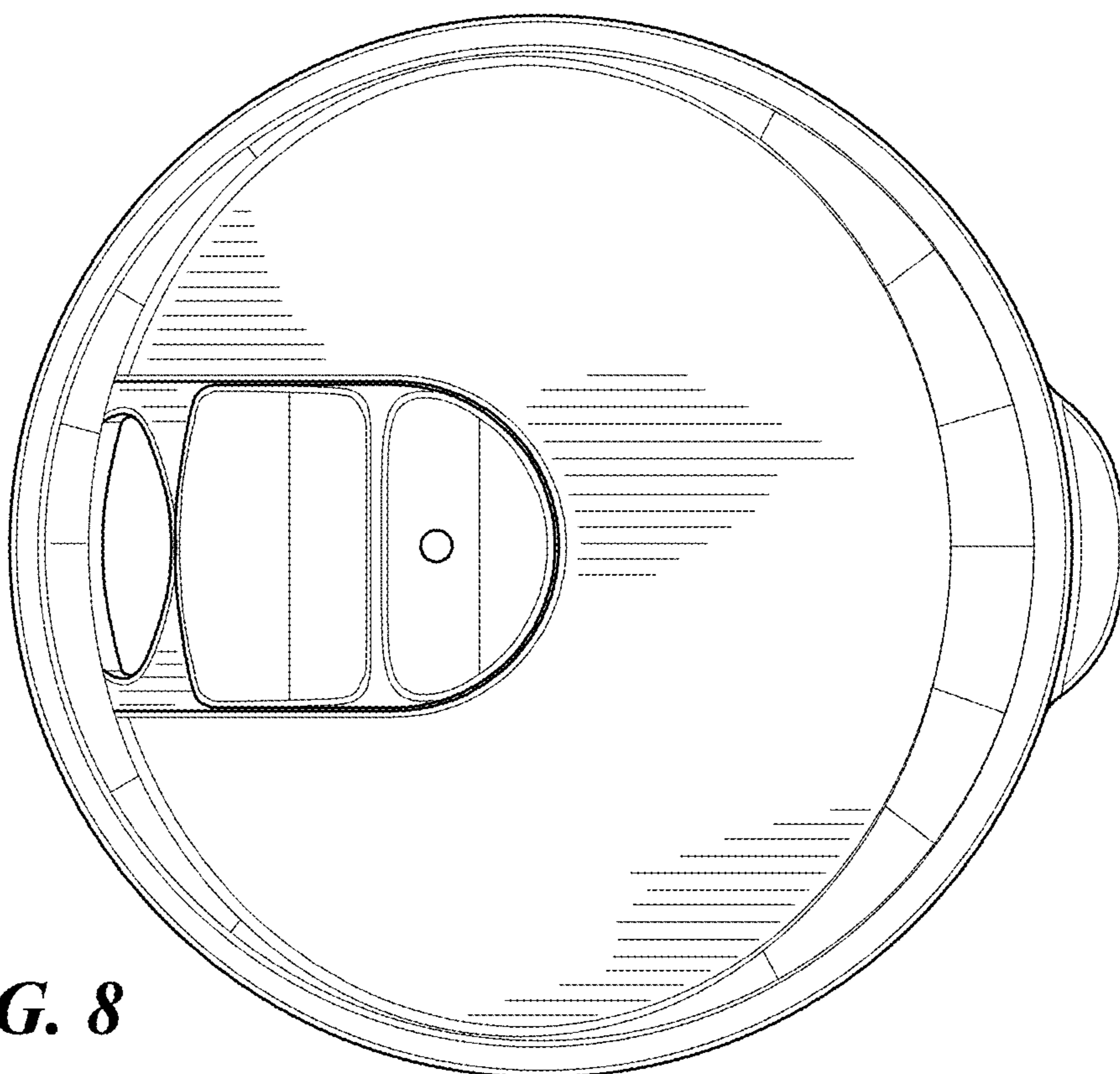


FIG. 8

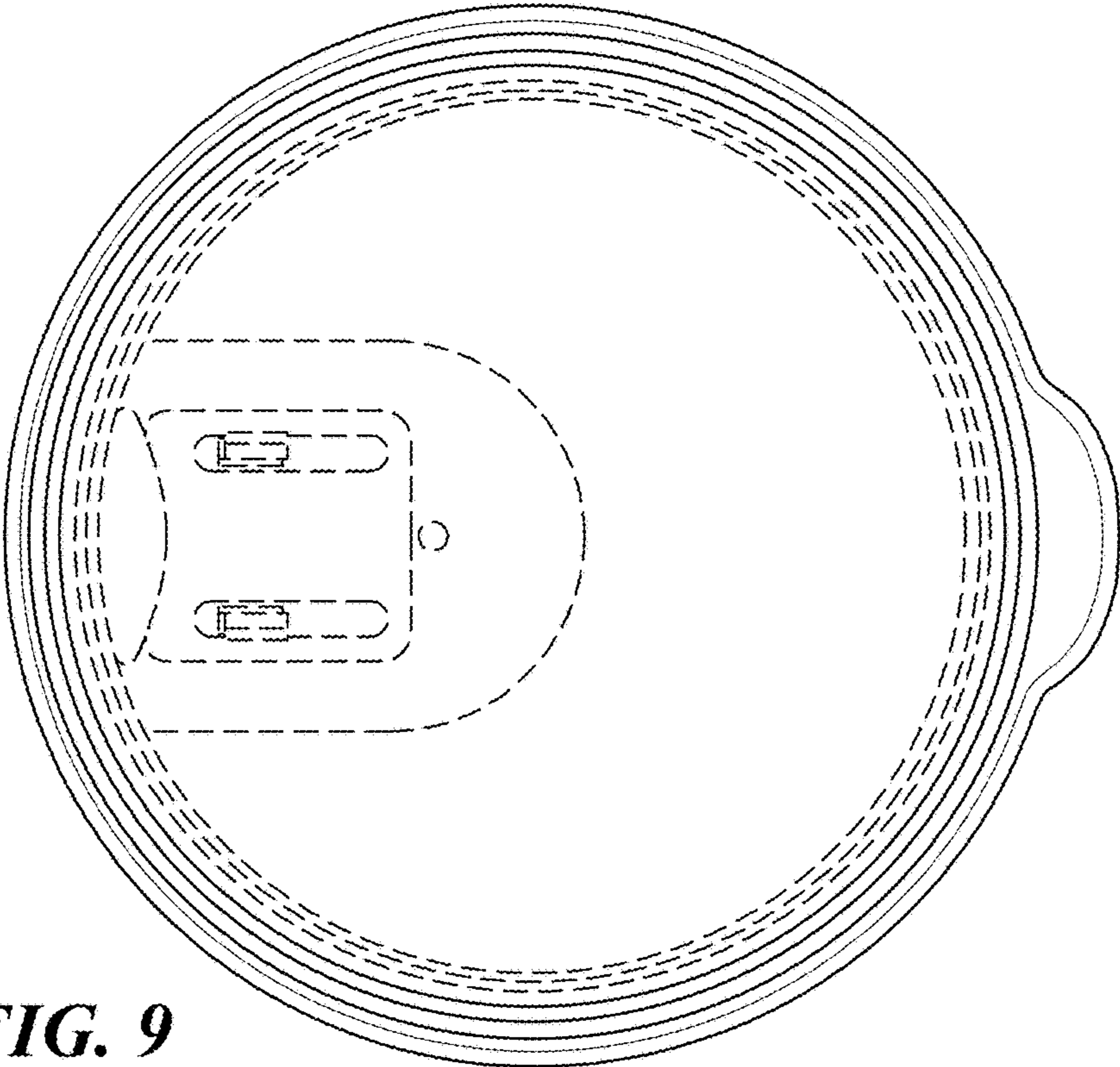


FIG. 9

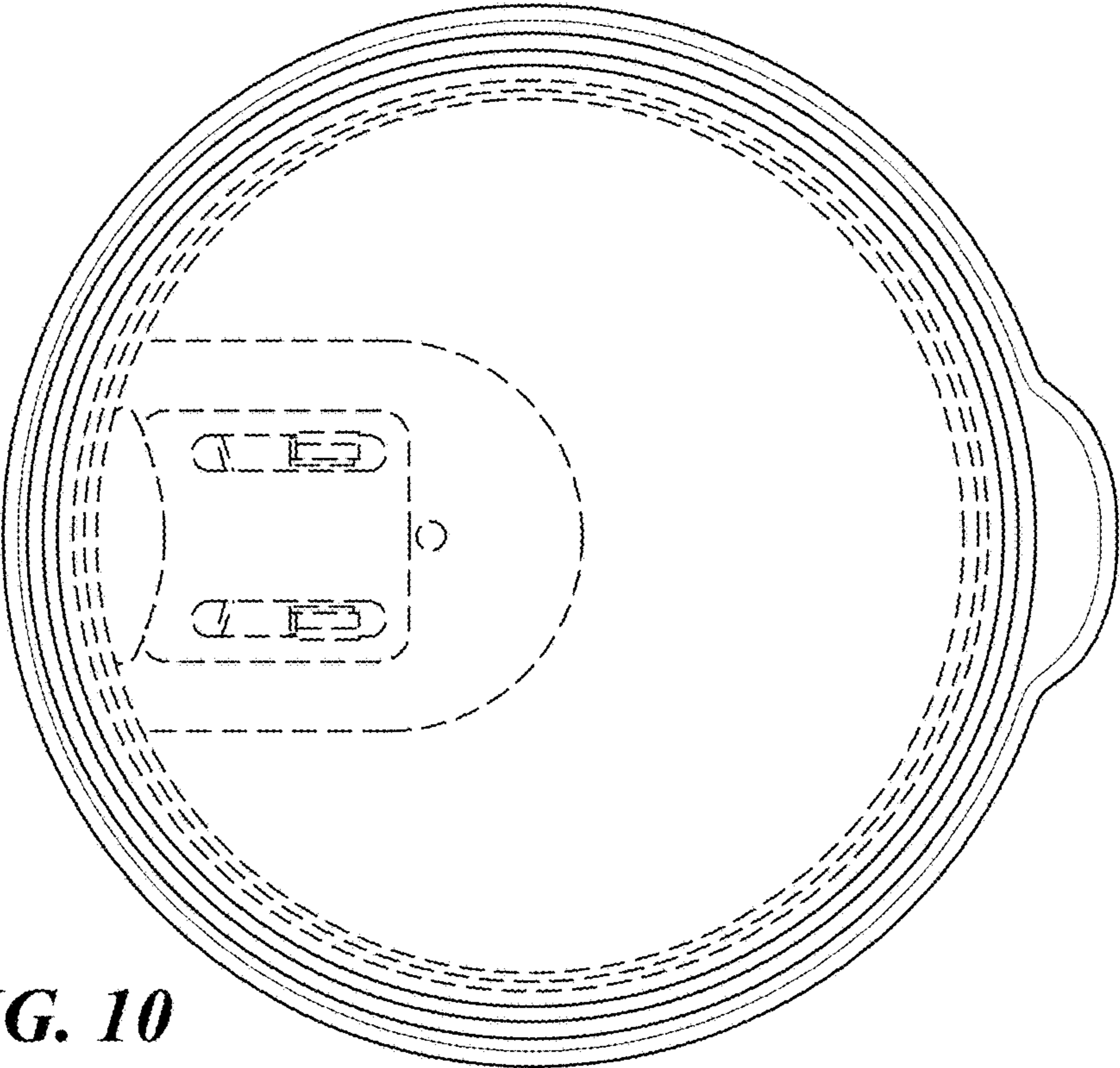


FIG. 10