



US00D790271S

(12) **United States Design Patent** (10) **Patent No.:** **US D790,271 S**  
**Ryan et al.** (45) **Date of Patent:** **\*\* Jun. 27, 2017**

(54) **HANDLE**

(71) Applicant: **Columbian Home Products, LLC**,  
North Barrington, IL (US)  
(72) Inventors: **Delvin Ryan**, Barrington Hills, IL (US);  
**Lorenzo Porcelli**, Tarry Town, NY  
(US)  
(73) Assignee: **Columbian Home Products, LLC**,  
North Barrington, IL (US)  
(\*\*) Term: **15 Years**  
(21) Appl. No.: **29/584,112**  
(22) Filed: **Nov. 11, 2016**

**Related U.S. Application Data**

(62) Division of application No. 29/535,146, filed on Aug.  
4, 2015, now Pat. No. Des. 776,975.  
(51) **LOC (10) Cl.** ..... **07-02**  
(52) **U.S. Cl.**  
USPC ..... **D7/395**  
(58) **Field of Classification Search**  
USPC ..... D7/354-361, 393-395, 401.2, 664;  
D8/107, 300, 303, 307, 313, 321;  
D4/138, 129  
CPC ..... A47J 45/06; A47J 45/061; A47J 45/62;  
A47J 45/08; A47J 45/085; A47J 45/071;  
A47J 45/072; B65D 25/2802; B65D  
25/2882; B65D 25/2885; B65D 25/2888;  
B65D 25/2894; Y10S 220/912  
See application file for complete search history.

(56) **References Cited**

**U.S. PATENT DOCUMENTS**

D440,463 S *	4/2001	Groll .....	D7/395
D477,966 S *	8/2003	Burton .....	D7/395
D477,967 S *	8/2003	Burton .....	D7/395
D644,486 S *	9/2011	Groll .....	D7/395
D682,022 S *	5/2013	Rae .....	D7/395
D693,636 S *	11/2013	Sweet .....	D7/395
D693,638 S *	11/2013	Sweet .....	D7/395
D704,505 S *	5/2014	Clabots .....	D7/395
D705,003 S *	5/2014	Rae .....	D7/395
D730,113 S *	5/2015	Barberi .....	D7/395
D730,114 S *	5/2015	Barberi .....	D7/395
D740,604 S *	10/2015	Barberi .....	D7/395

\* cited by examiner

*Primary Examiner* — Cynthia M Chin  
(74) *Attorney, Agent, or Firm* — Seyfarth Shaw LLP

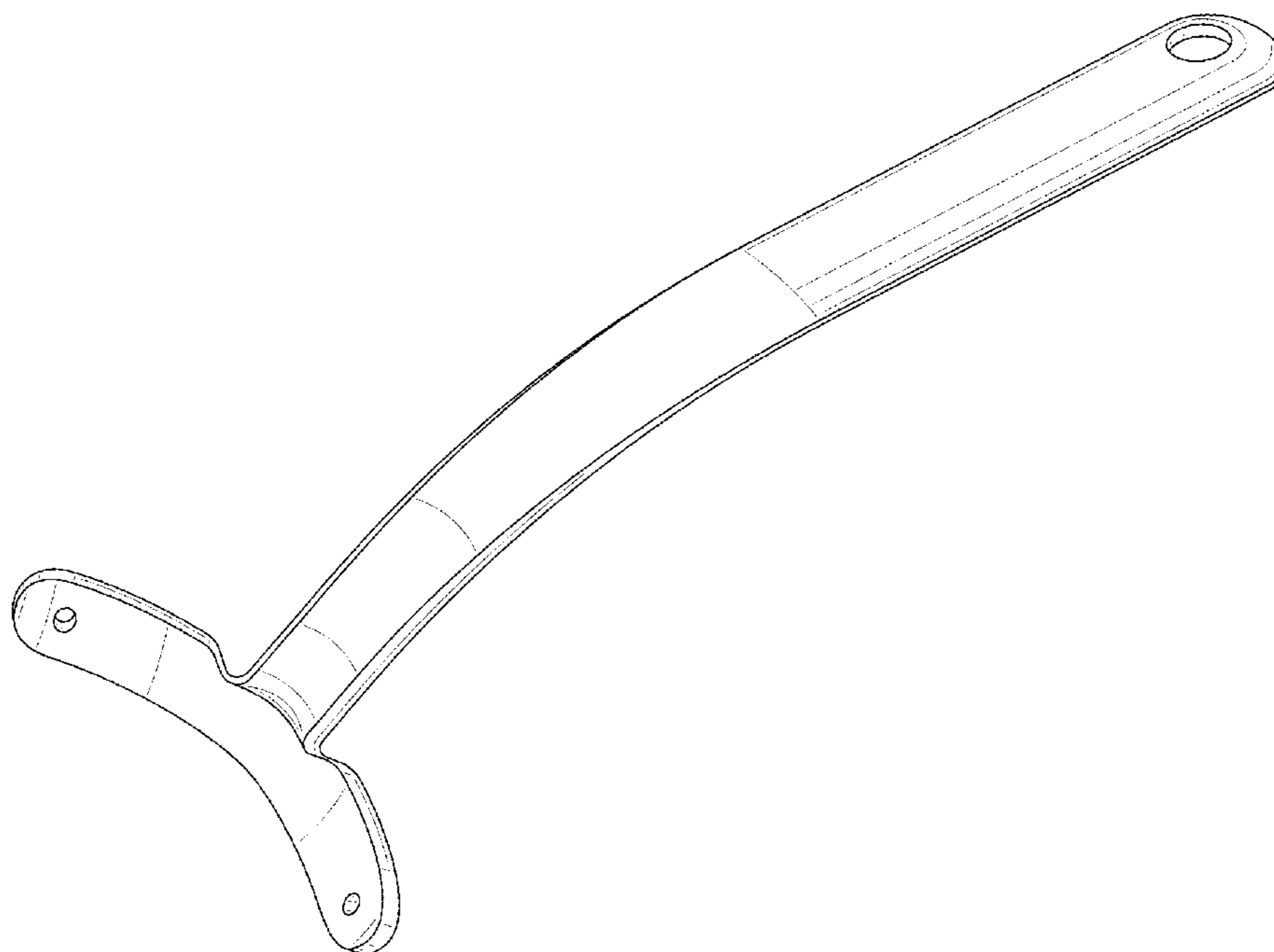
(57) **CLAIM**

The ornamental design for a handle, as shown and described.

**DESCRIPTION**

FIG. 1 is a front perspective view of a handle;  
FIG. 2 is a front view thereof;  
FIG. 3 is a rear view thereof;  
FIG. 4 is a left-side view thereof;  
FIG. 5 is a right-side thereof;  
FIG. 6 is a top view thereof; and,  
FIG. 7 is a bottom view thereof.

**1 Claim, 7 Drawing Sheets**



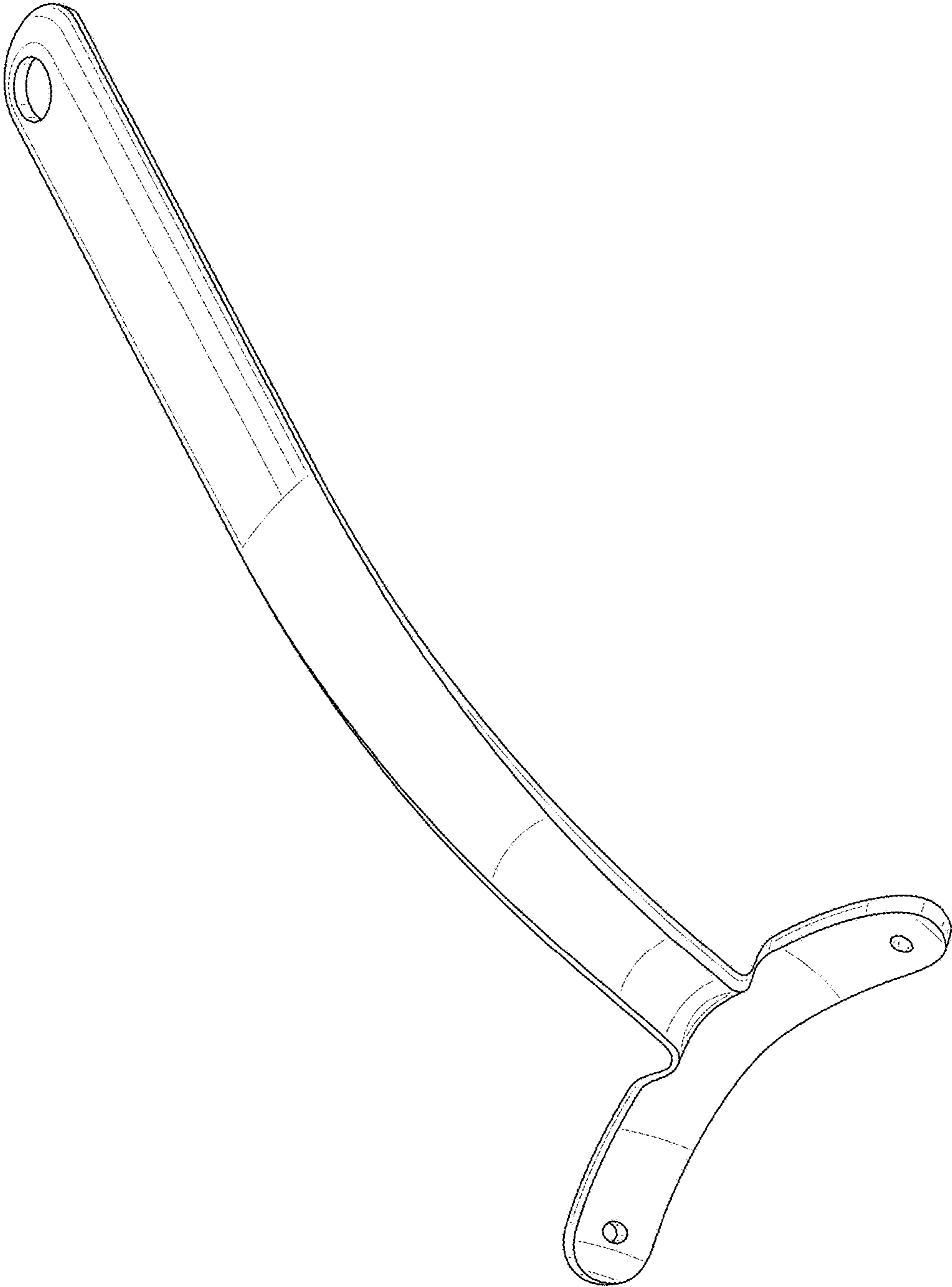


FIG. 1

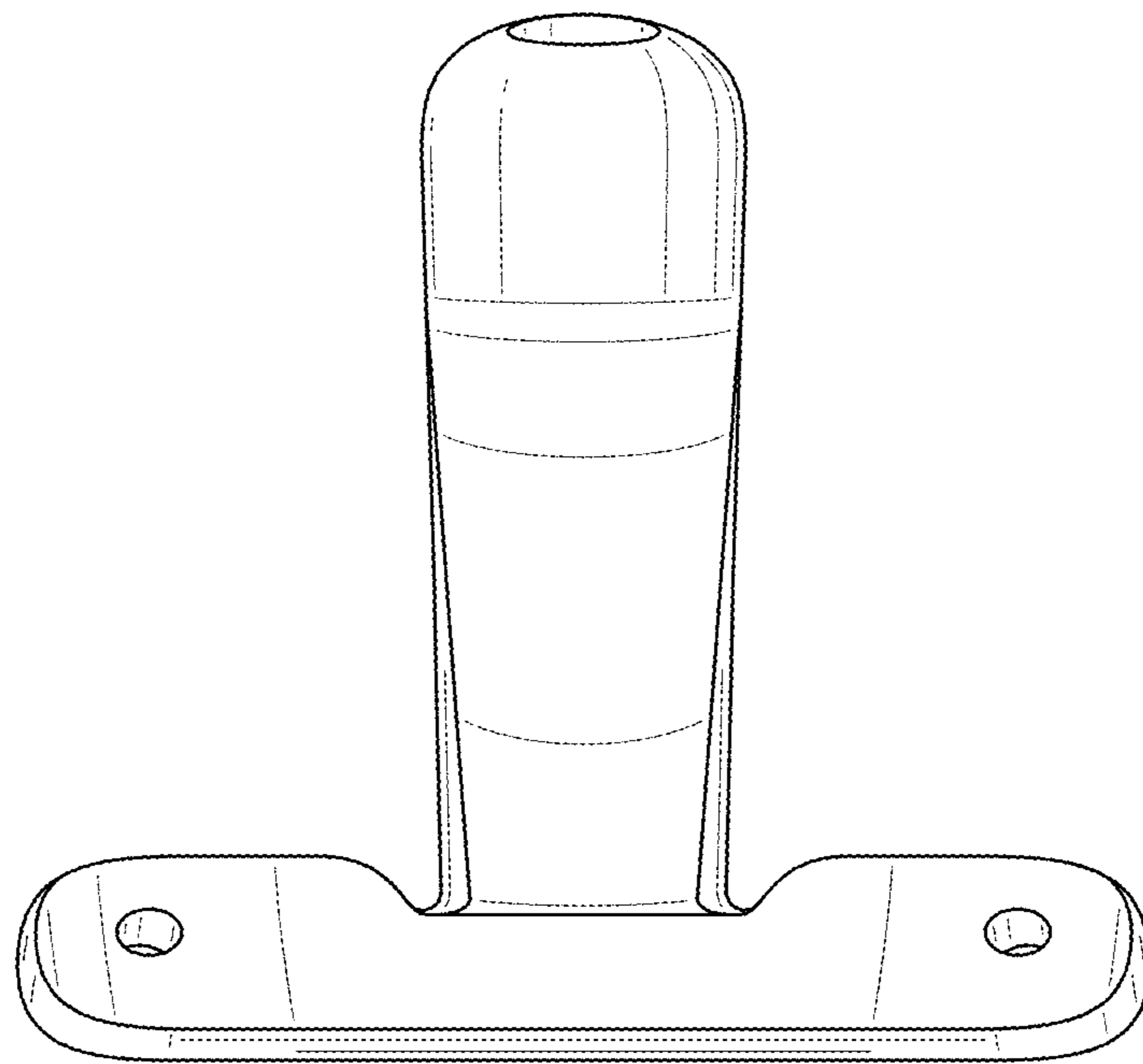


FIG. 2

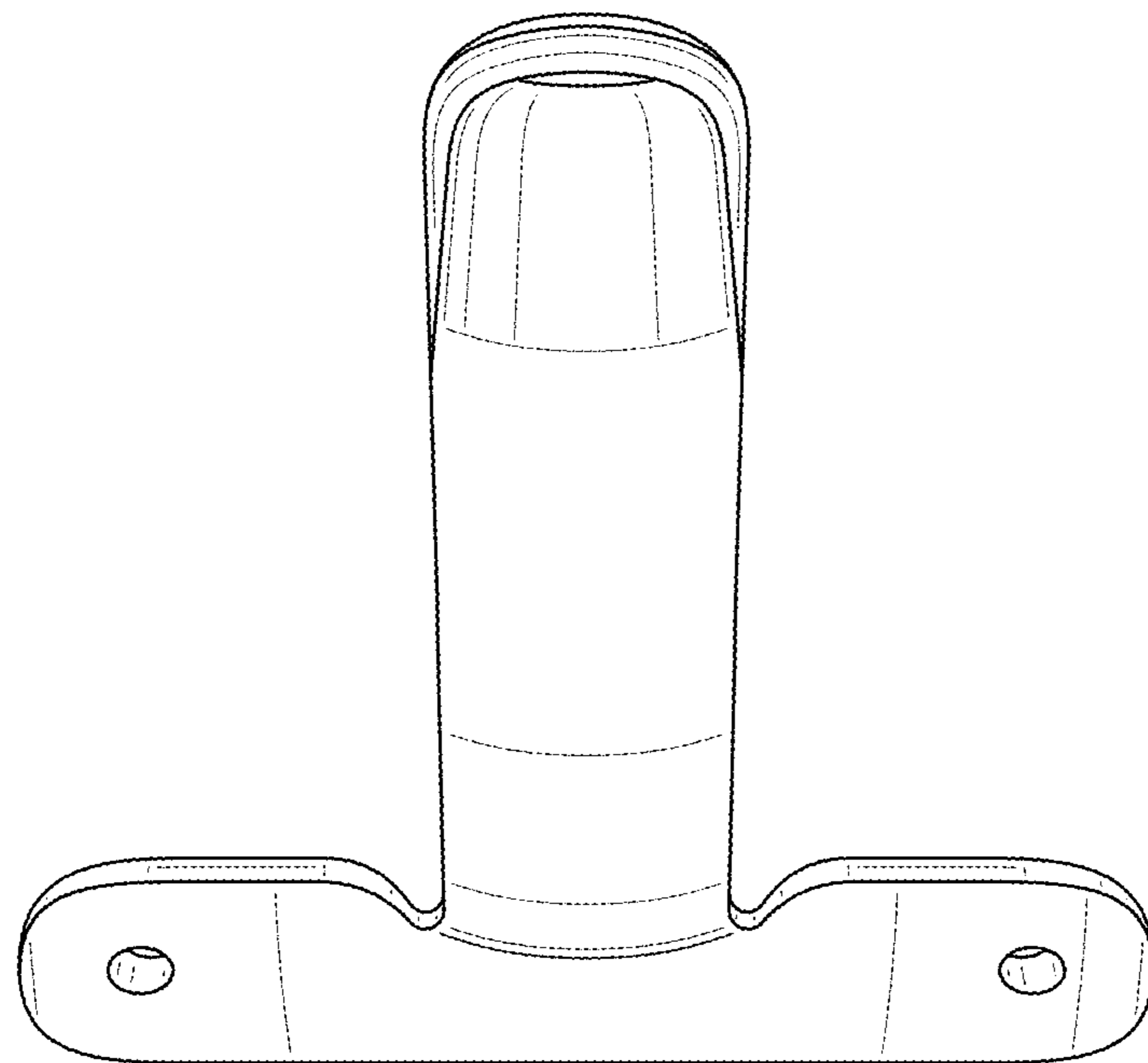


FIG. 3

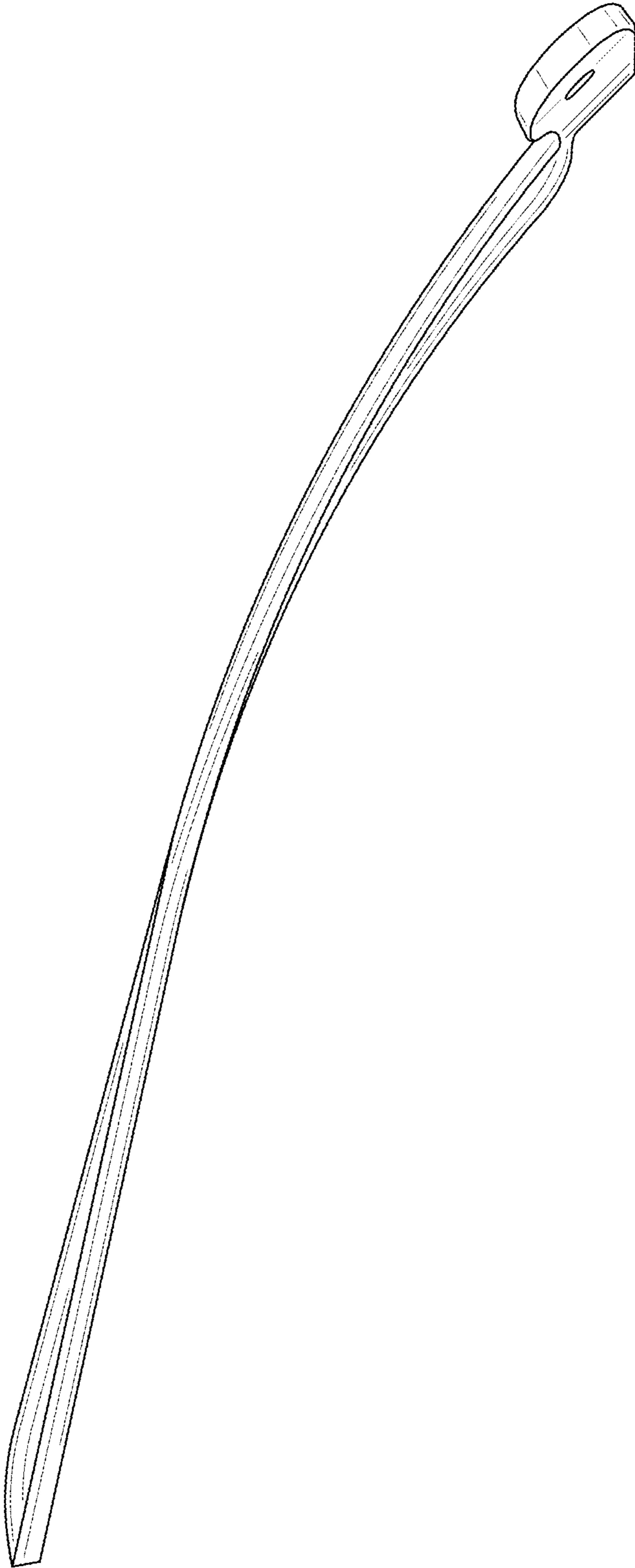


FIG. 4

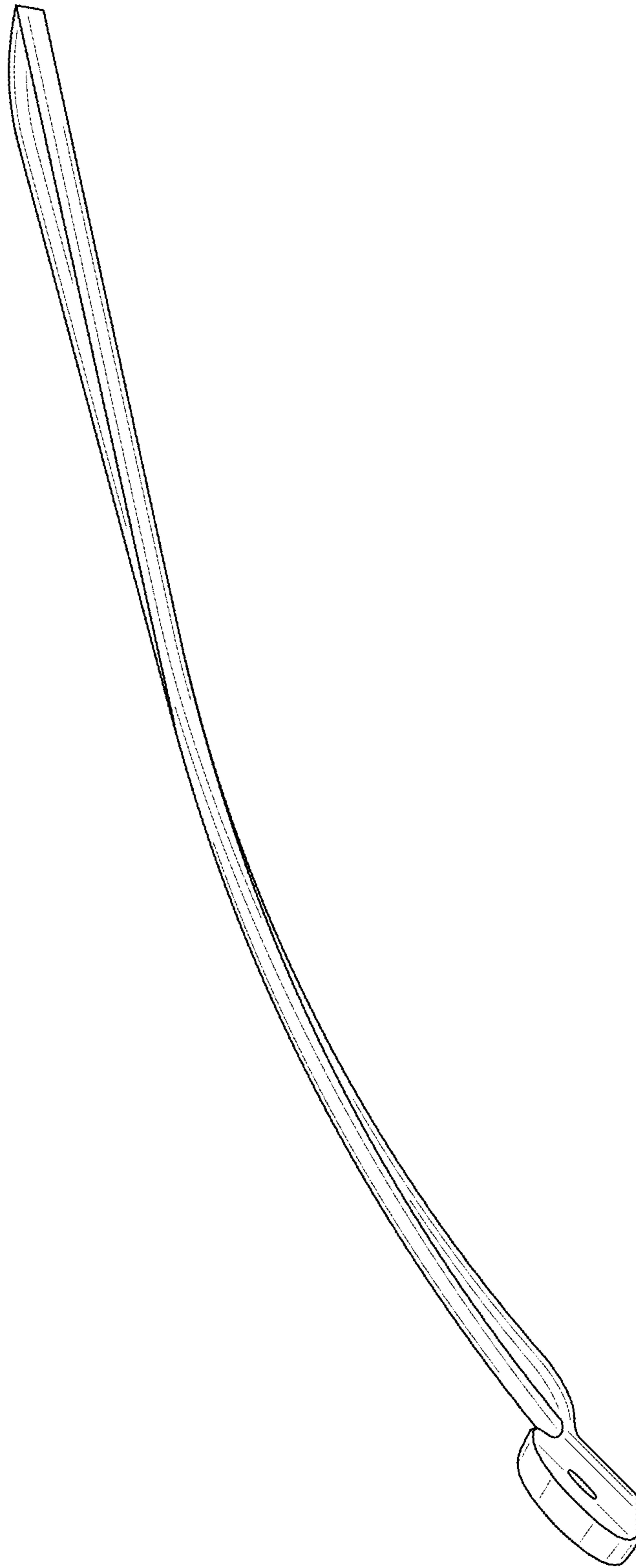


FIG. 5

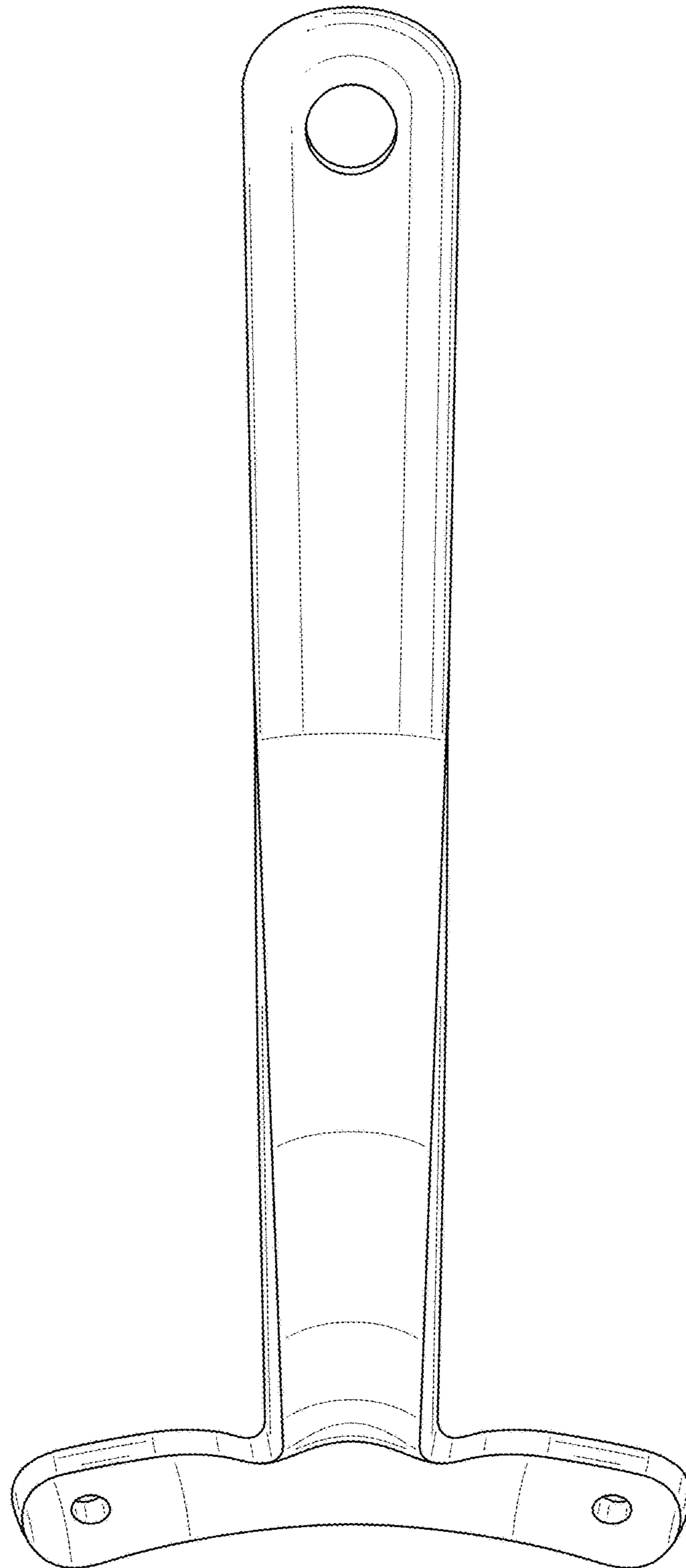


FIG. 6

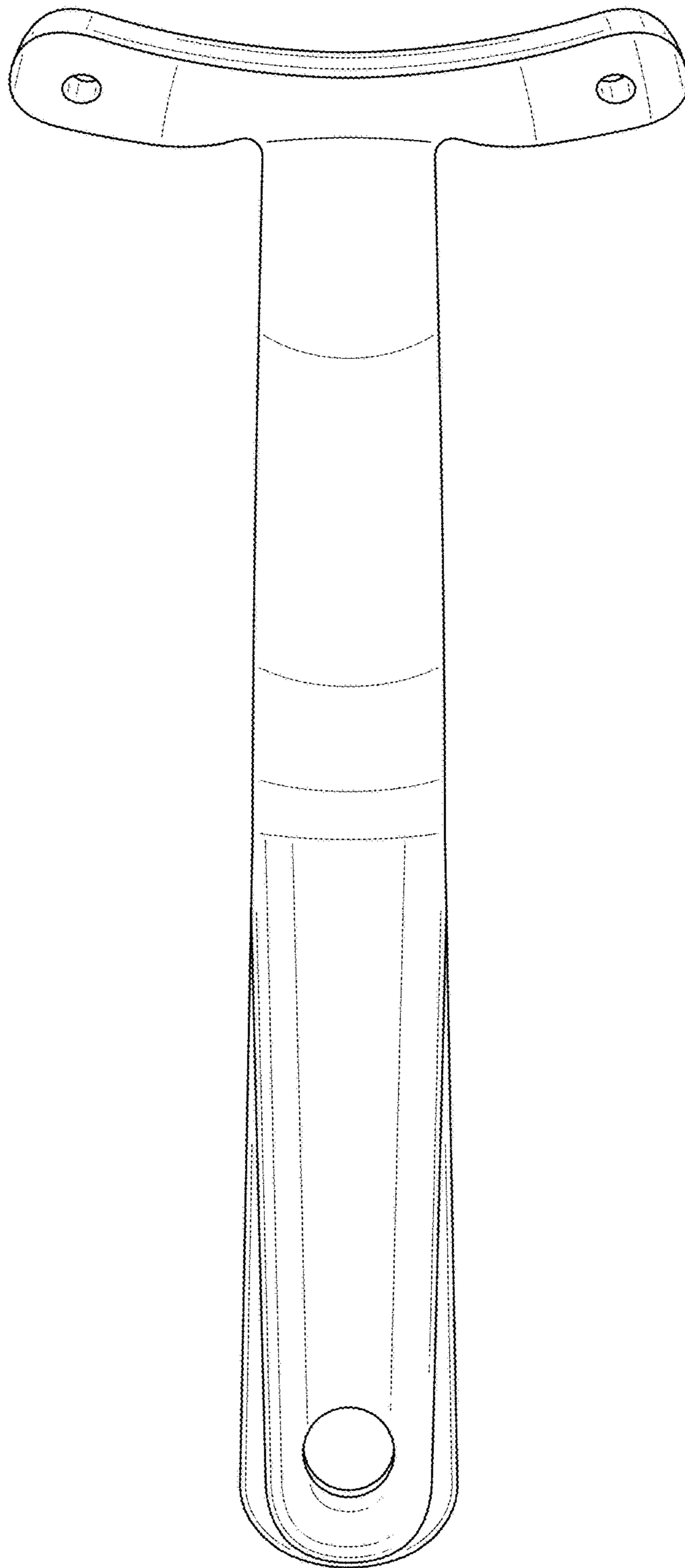


FIG. 7