



US00D790270S

(12) **United States Design Patent**
Lira-Nunez et al.

(10) **Patent No.: US D790,270 S**
(45) **Date of Patent: ** Jun. 27, 2017**

- (54) **GRILL CART**
- (71) Applicants: **Carmen O. Lira-Nunez**, Downers Grove, IL (US); **Hollice Childress**, Schaumburg, IL (US); **Mark R. Pavel**, Lisle, IL (US); **Jacob A. Stanton**, Chicago, IL (US)
- (72) Inventors: **Carmen O. Lira-Nunez**, Downers Grove, IL (US); **Hollice Childress**, Schaumburg, IL (US); **Mark R. Pavel**, Lisle, IL (US); **Jacob A. Stanton**, Chicago, IL (US)
- (73) Assignee: **Weber-Stephen Products LLC**, Palatine, IL (US)
- (**) Term: **15 Years**
- (21) Appl. No.: **29/530,654**
- (22) Filed: **Jun. 18, 2015**
- (51) **LOC (10) Cl. 07-02**
- (52) **U.S. Cl.**
USPC **D7/334; D7/403**
- (58) **Field of Classification Search**
USPC D7/332-337, 402, 323, 327, 339-341, D7/403; D34/12, 17, 19, 20; D23/286
CPC A47J 37/0704; A47J 37/0786; A47J 37/0763; A47J 37/0713; A47J 37/0781; A47J 2037/0777; A47J 33/00; F24C 3/14; F24C 7/10; F24C 15/18; F24C 15/12; F24B 1/207
See application file for complete search history.

- 4,688,541 A * 8/1987 Stephen A47J 37/0786 108/152
- 5,027,788 A * 7/1991 Schlosser A47J 37/0713 126/25 R
- 5,076,252 A * 12/1991 Schlosser A47J 37/0713 126/25 R
- D327,390 S * 6/1992 Schlosser D7/334
- 5,638,808 A * 6/1997 Home A47J 37/0713 126/25 R
- D423,274 S * 4/2000 Coleman D7/334
- 6,058,658 A * 5/2000 Dunn A47J 37/0786 52/23

(Continued)

Primary Examiner — Susan Bennett Hattan
Assistant Examiner — Brett Miller
(74) *Attorney, Agent, or Firm* — Vitale, Vickrey, Niro & Gasey

(57) **CLAIM**

The ornamental design for a grill cart, as shown and described.

DESCRIPTION

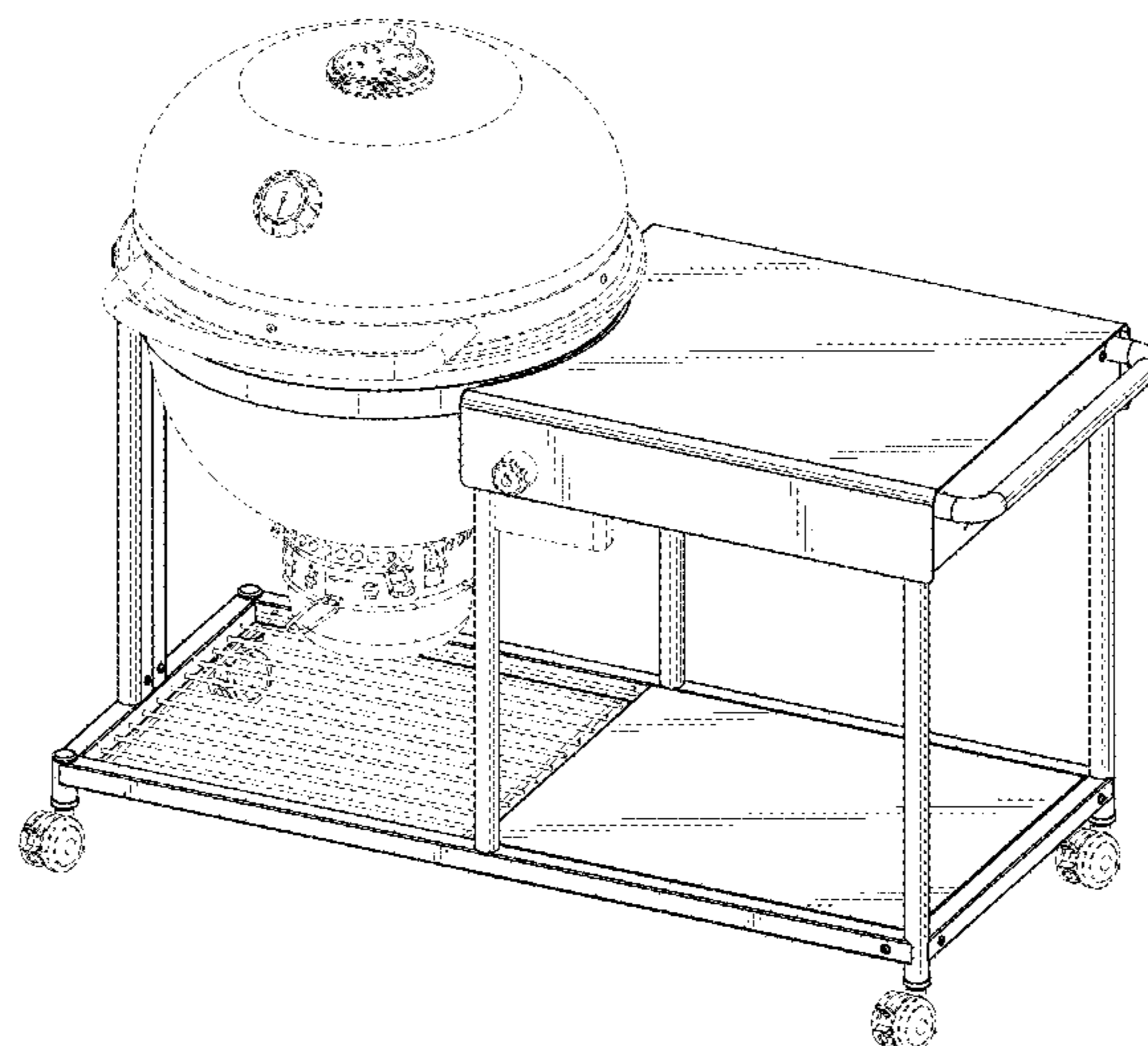
FIG. 1 is a perspective view of the grill cart of the present invention;
FIG. 2 is a front view of the grill cart of the present invention;
FIG. 3 is a right side view of the grill cart of the present invention;
FIG. 4 is a rear view of the grill cart of the present invention;
FIG. 5 is a top view of the grill cart of the present invention;
FIG. 6 is a left side view of the grill cart of the present invention; and,
FIG. 7 is a bottom view of the grill cart of the present invention.
The broken lines shown in the Figures depict unclaimed portions of the grill cart that form no part of the claimed design.

1 Claim, 7 Drawing Sheets

(56) **References Cited**

U.S. PATENT DOCUMENTS

- D214,220 S * 5/1969 ver Halen D34/20
- D215,250 S * 9/1969 McClaren D34/20
- 4,635,613 A * 1/1987 Tucker A47J 37/0786 126/25 R



(56)

References Cited

U.S. PATENT DOCUMENTS

D441,254 S	*	5/2001	Pai	D7/403
D528,850 S	*	9/2006	Chung	D7/334
D560,420 S	*	1/2008	Roth	D7/334
D625,544 S	*	10/2010	Radicke	D7/334
D719,778 S	*	12/2014	Fails	D7/334

* cited by examiner

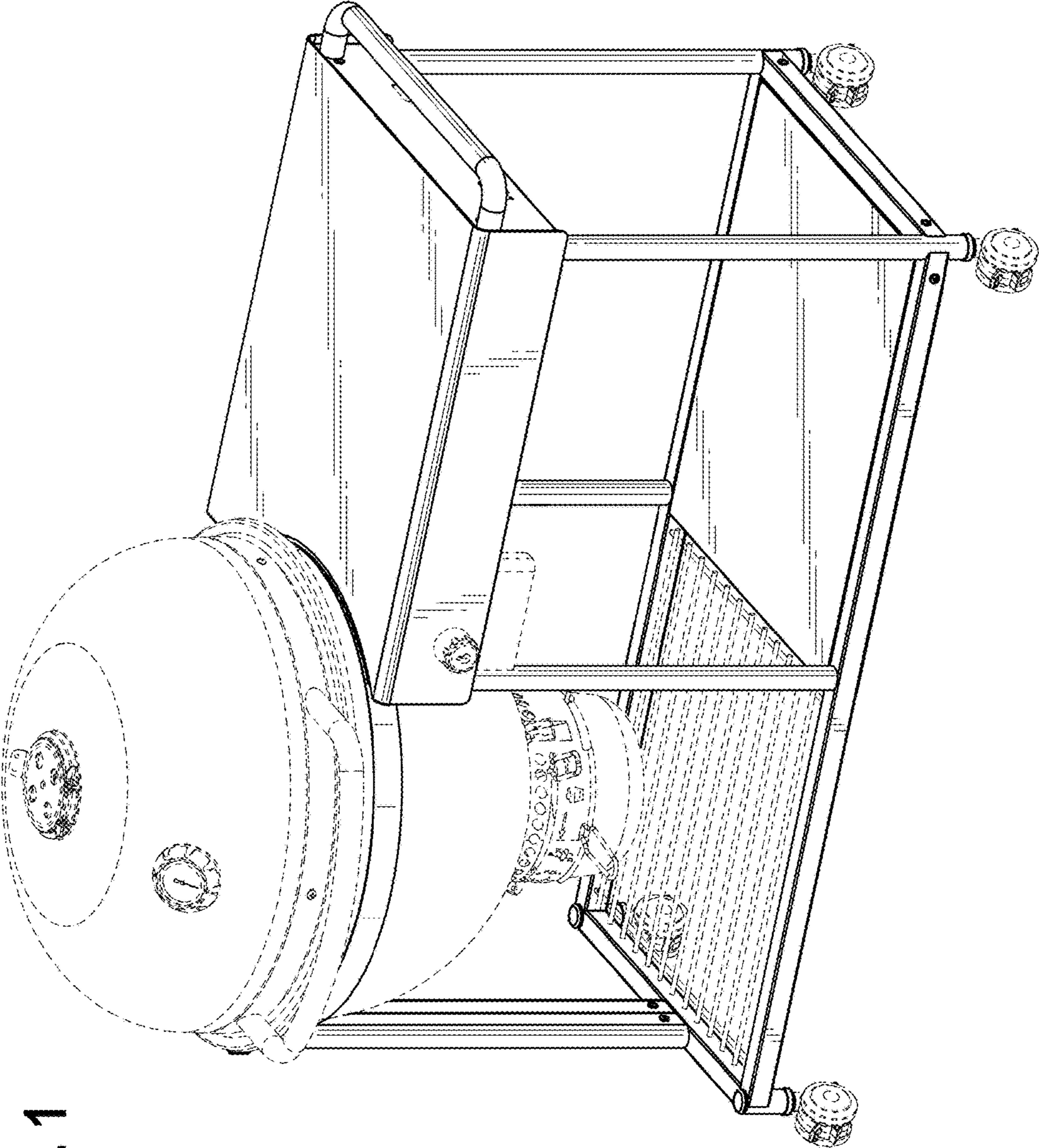


Fig. 1

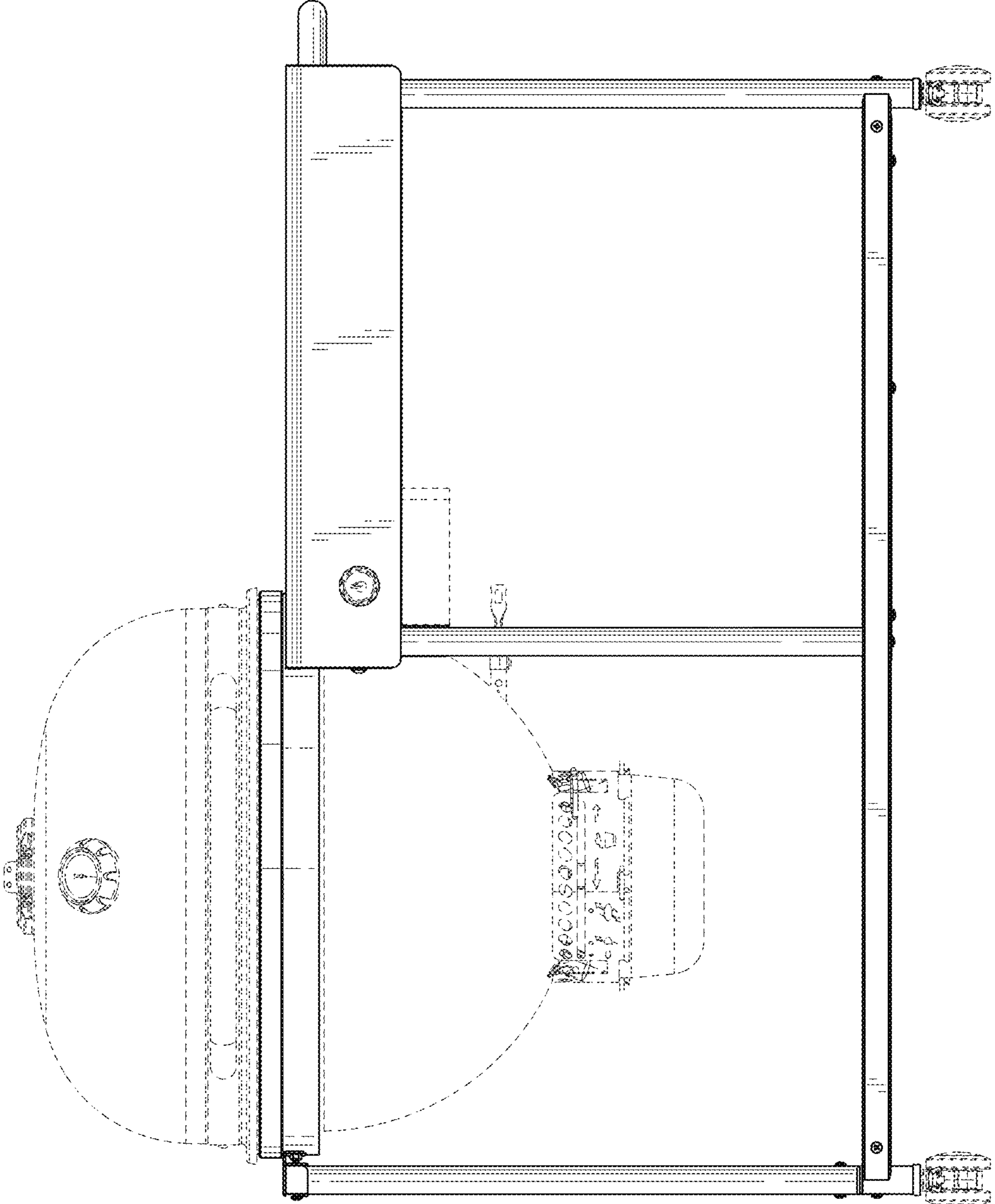
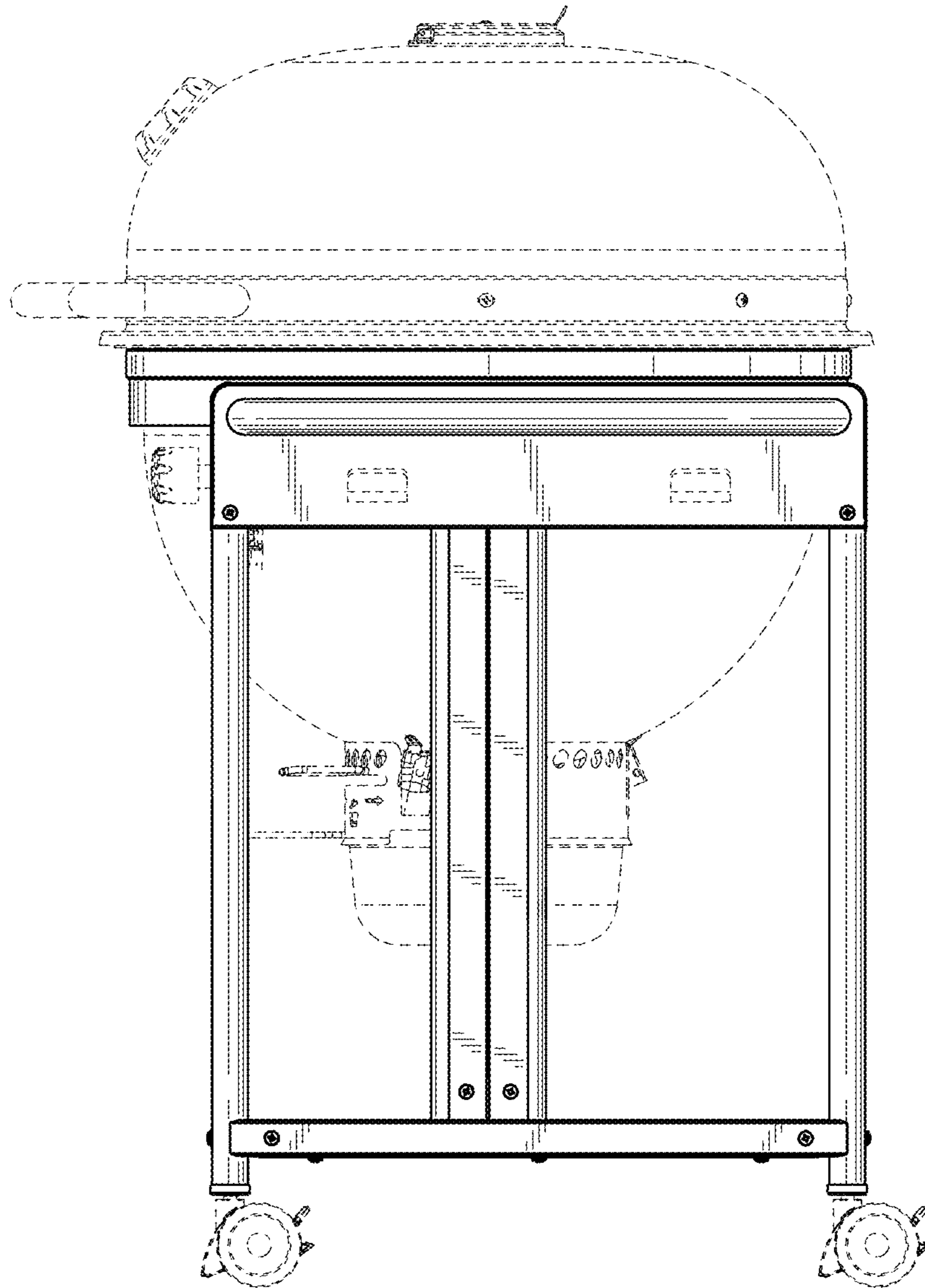


Fig. 2

Fig. 3



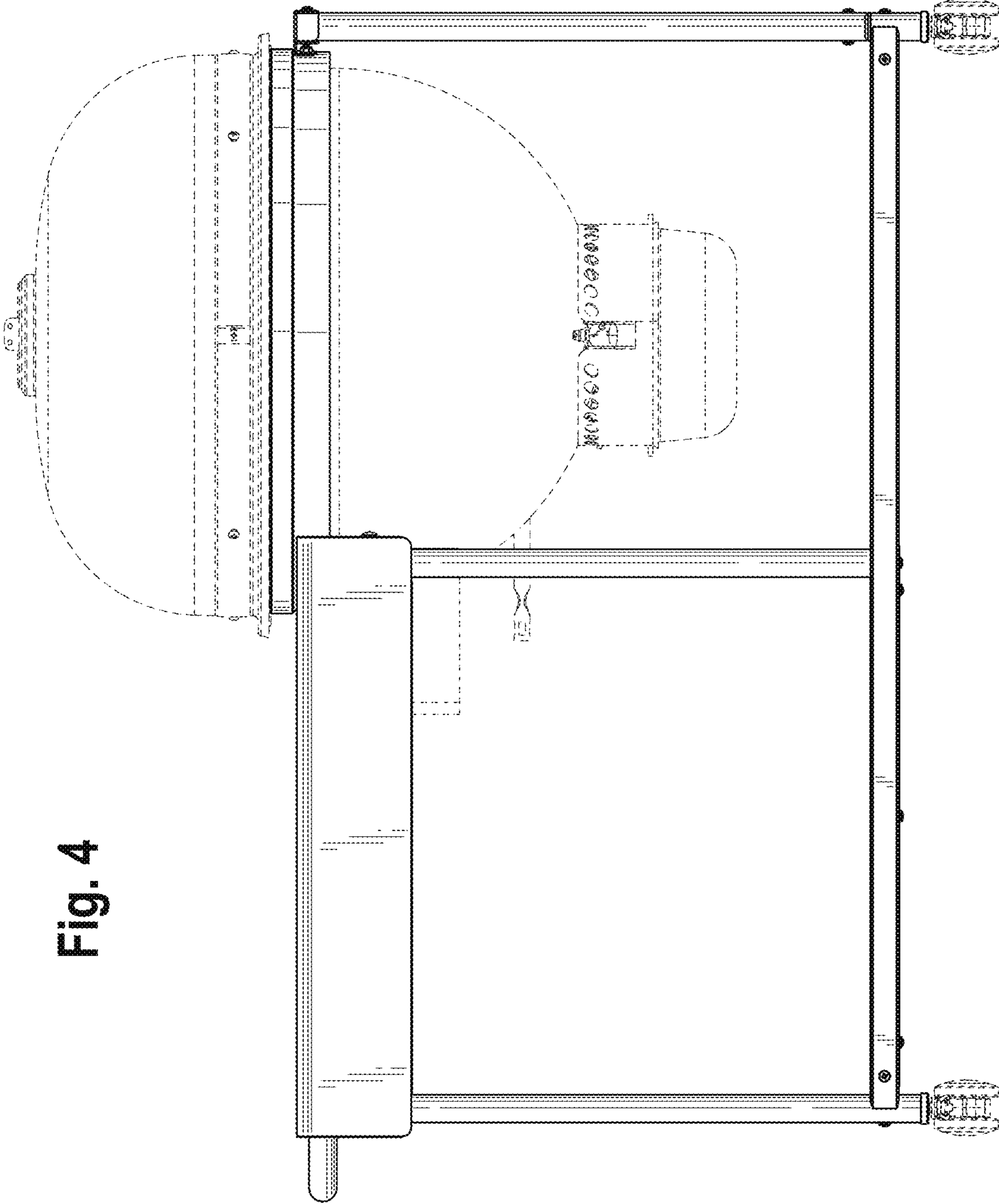


Fig. 4

Fig. 5

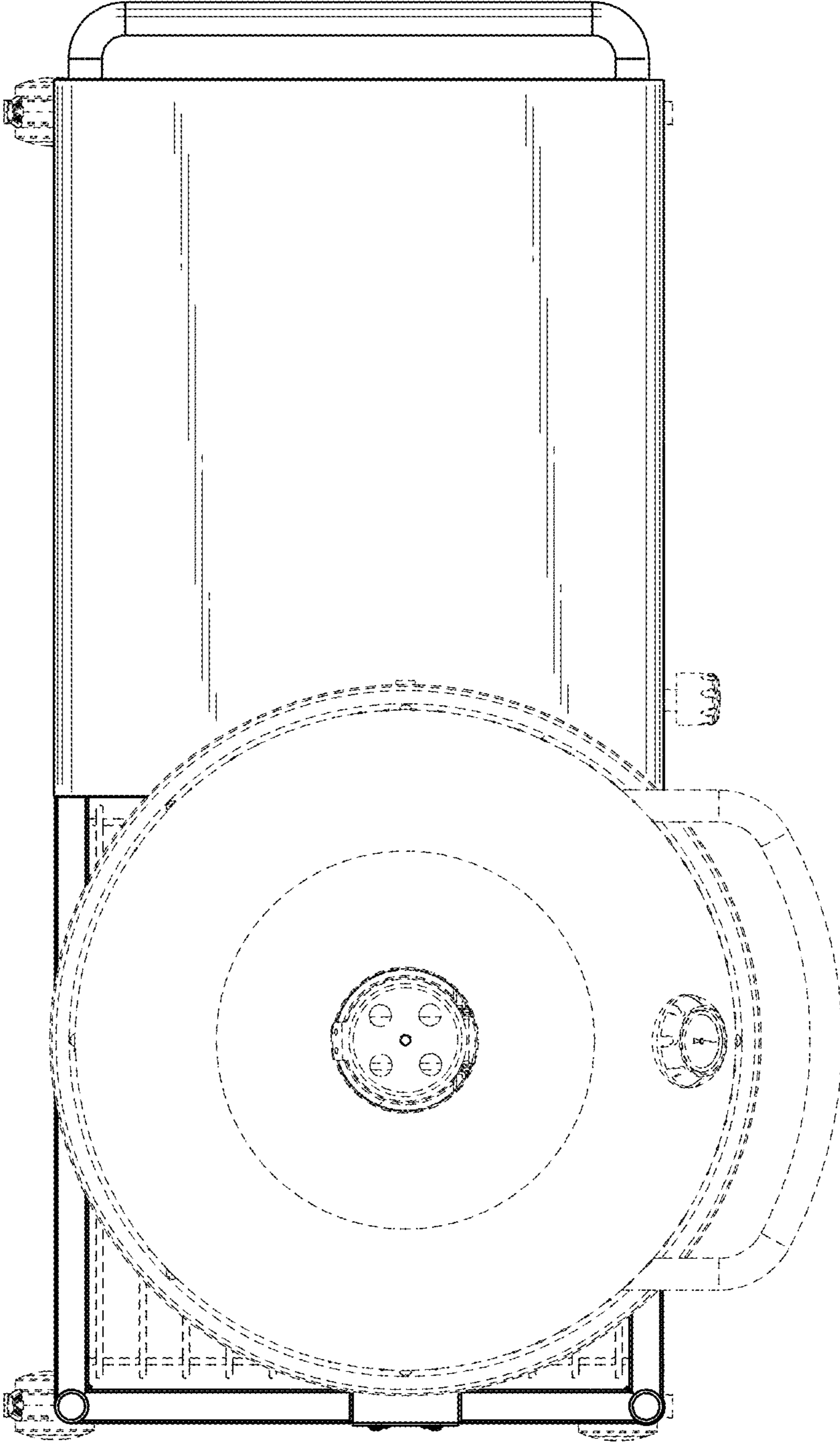


Fig. 6

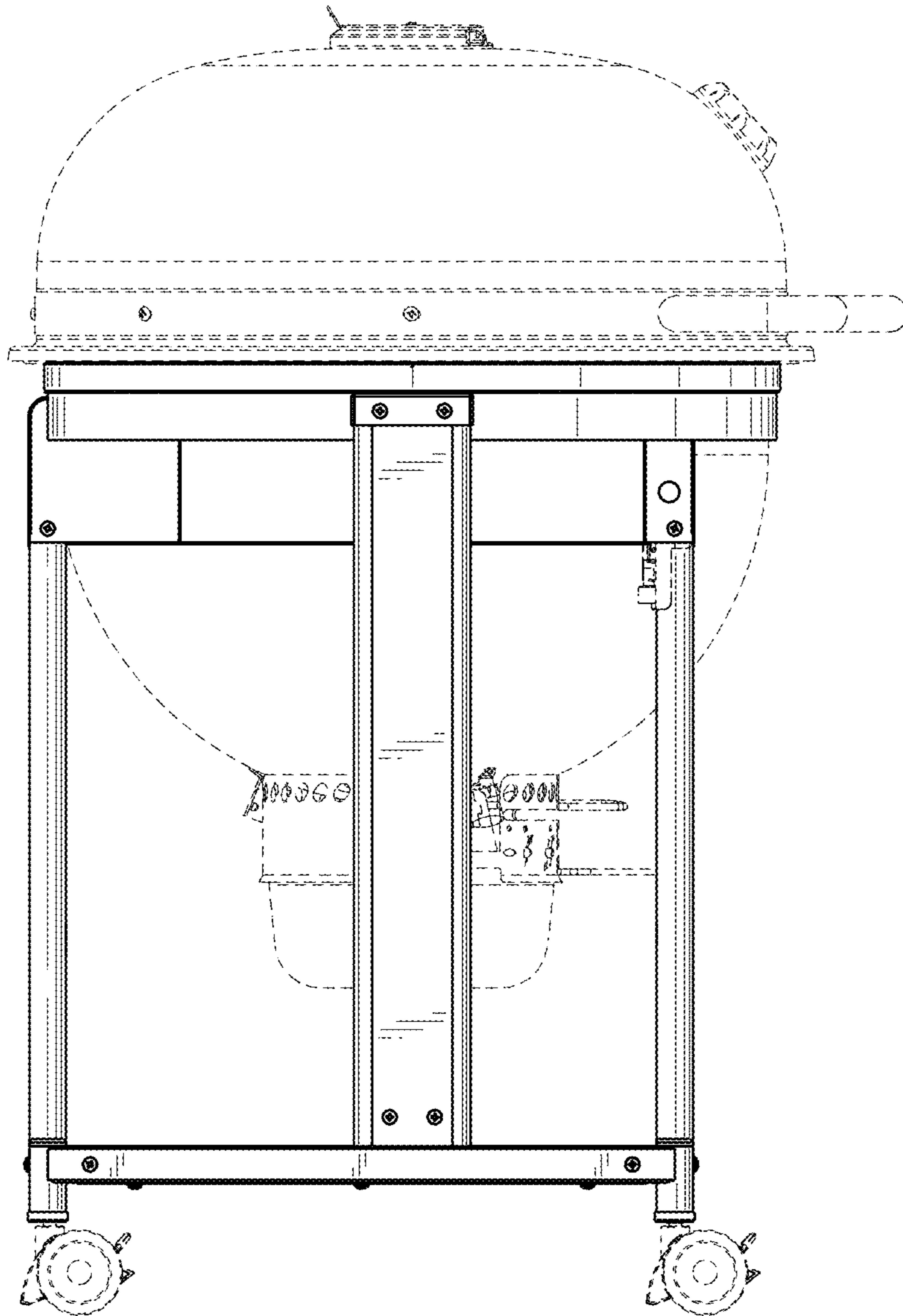


Fig. 7

