



US00D790269S

(12) **United States Design Patent**  
**Kawai**

(10) **Patent No.:** **US D790,269 S**  
(45) **Date of Patent:** **\*\* Jun. 27, 2017**

- (54) **STADIUM SEAT**
- (71) Applicant: **DIC Corporation**, Tokyo (JP)
- (72) Inventor: **Toru Kawai**, Sendai (JP)
- (73) Assignee: **DIC CORPORATION**, Tokyo (JP)
- (\*\*) Term: **14 Years**
- (21) Appl. No.: **29/520,355**
- (22) Filed: **Mar. 13, 2015**

(30) **Foreign Application Priority Data**

- Sep. 18, 2014 (JP) ..... D2014-020604
- (51) **LOC (10) Cl.** ..... **06-04**
- (52) **U.S. Cl.**  
USPC ..... **D6/716.4**
- (58) **Field of Classification Search**  
USPC ..... D6/334-6, 362, 369, 371-6, 379, 380,  
D6/716, 716.1-716.4; 297/134  
CPC ..... A47C 1/12; A47C 1/121; A47C 1/124;  
A47C 1/16; A47C 3/16; A47C 7/56;  
B60N 2/02  
See application file for complete search history.

(56) **References Cited**

**U.S. PATENT DOCUMENTS**

2,634,674 A	4/1953	Irwin	
D172,218 S *	5/1954	Burst	D6/374
2,994,315 A	8/1961	Bussing	
D272,587 S *	2/1984	Pamberg	D6/380
D278,196 S	4/1985	Koves	
D280,788 S	10/1985	Levin	
4,953,473 A	9/1990	Tomaka et al.	
D427,820 S *	7/2000	Chen	D6/716
D488,632 S *	4/2004	Muller	D6/380
D489,193 S *	5/2004	Muller	D6/380
D505,034 S *	5/2005	Barry	D6/716.4
D579,237 S	10/2008	Gusdorf	
D587,492 S	3/2009	Gusdorf	

D620,729 S 8/2010 Snider  
D646,095 S \* 10/2011 Langbord ..... D6/716.4  
D646,096 S \* 10/2011 Langbord ..... D6/716.4  
(Continued)

**OTHER PUBLICATIONS**

U.S. Patent and Trademark Office, Office Action in U.S. Appl. No. 29/520,349, mailed Sep. 8, 2016.

*Primary Examiner* — Eric Goodman  
*Assistant Examiner* — Fritzgerald Butac  
(74) *Attorney, Agent, or Firm* — Jeremy Jay

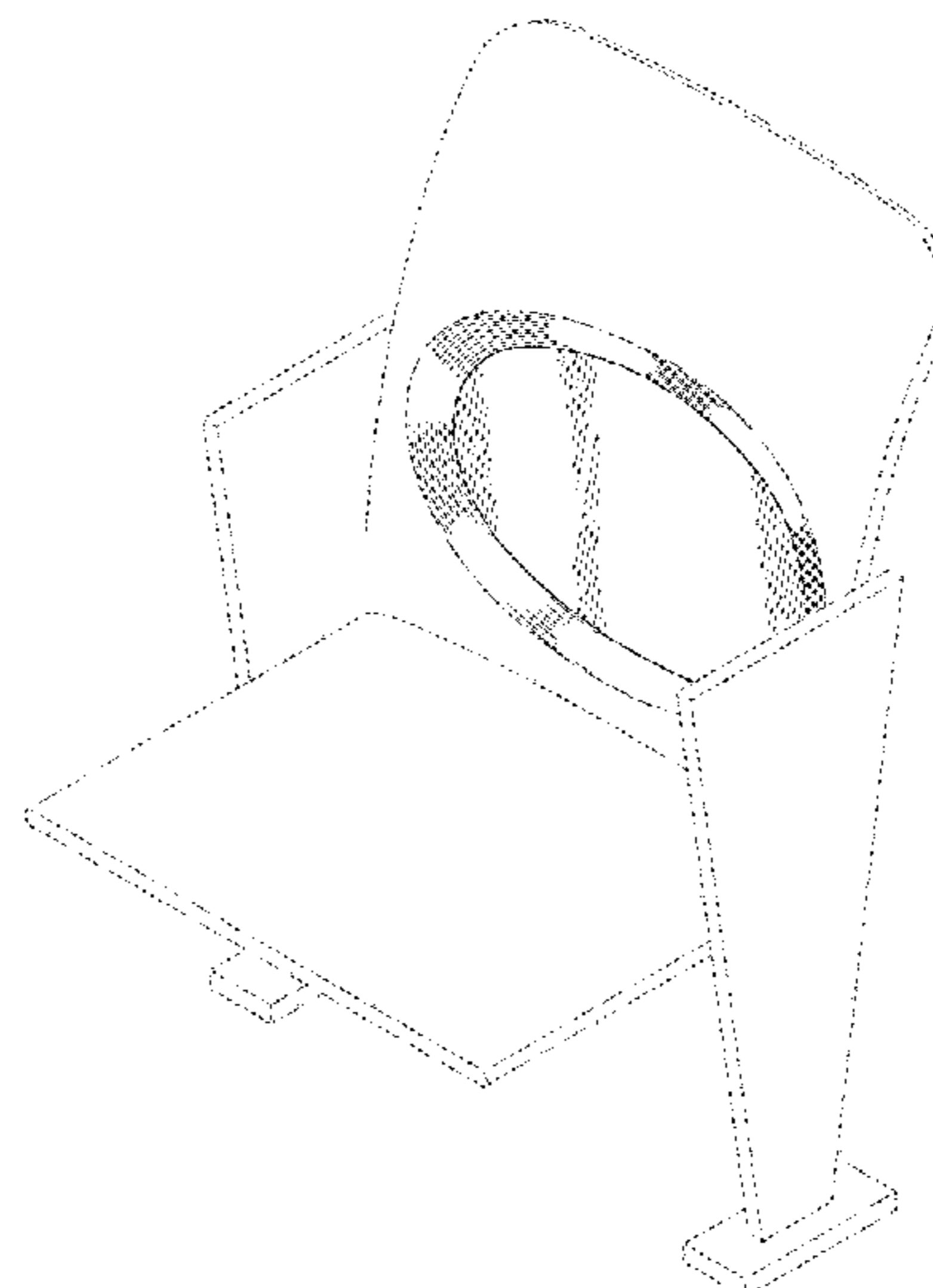
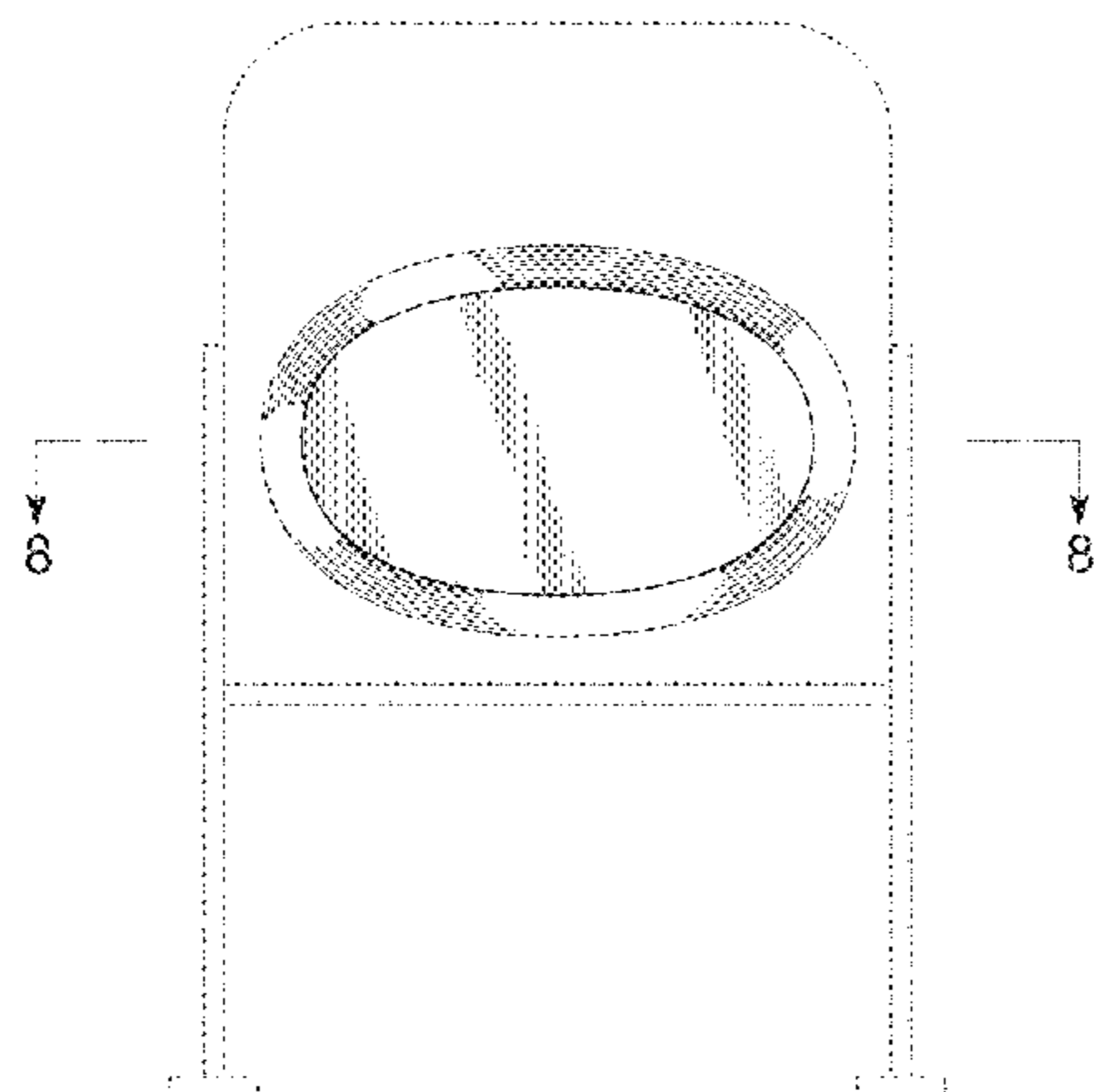
(57) **CLAIM**

The ornamental design for a stadium seat, as shown and described.

**DESCRIPTION**

FIG. 1 is a front view of a stadium seat of the present invention.  
FIG. 2 is a rear view of the stadium seat of FIG. 1.  
FIG. 3 is a top plan view of the stadium seat of FIG. 1.  
FIG. 4 is a bottom view of the stadium seat of FIG. 1.  
FIG. 5 is a right side view of the stadium seat of FIG. 1.  
FIG. 6 is a left side view of the stadium seat of FIG. 1.  
FIG. 7 is a front perspective view of the stadium seat of FIG. 1.  
FIG. 8 is an enlarged sectional view in the direction indicated by the arrows 8-8 of the stadium seat of FIG. 1; and, FIG. 9 is an enlarged sectional view of the 9'-9' portion in the direction indicated by the arrows 9-9 of the stadium seat of FIG. 3.  
The features shown in dotted lines depict environmental subject matter only and form no part of the claimed design. The broken lines having alternating long and short segments define bounds of the claimed design and form no part thereof.

**1 Claim, 9 Drawing Sheets**



(56)

**References Cited**

U.S. PATENT DOCUMENTS

D646,097	S	*	10/2011	Langbord .....	D6/716.4
D676,690	S	*	2/2013	Pheasant .....	D6/716.4
D690,966	S		10/2013	Goodman et al.	
D719,383	S		12/2014	Goodman et al.	
D723,309	S		3/2015	Goodman et al.	
D734,966	S		7/2015	Greenspon	
D737,088	S	*	8/2015	Kawai .....	D6/716.4
D742,665	S		11/2015	Goodman et al.	
D747,629	S		1/2016	Goodman et al.	
9,339,145	B1		5/2016	Owczarzak	
2005/0257693	A1		11/2005	Tschetter et al.	
2011/0271949	A1		11/2011	Ortner et al.	
2013/0055506	A1		3/2013	Greer	
2016/0227965	A1		8/2016	Johnston et al.	

\* cited by examiner

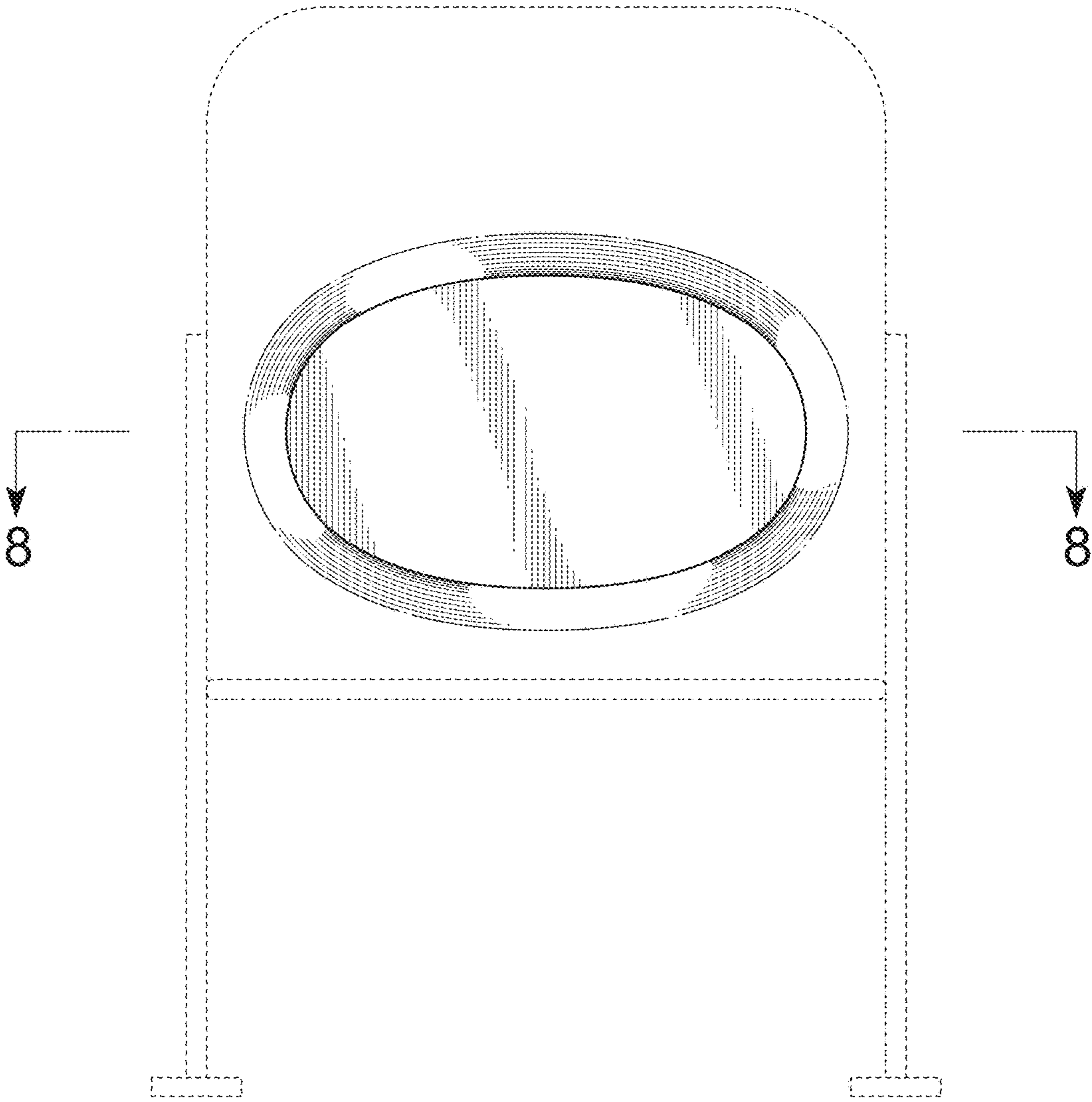


Fig.1

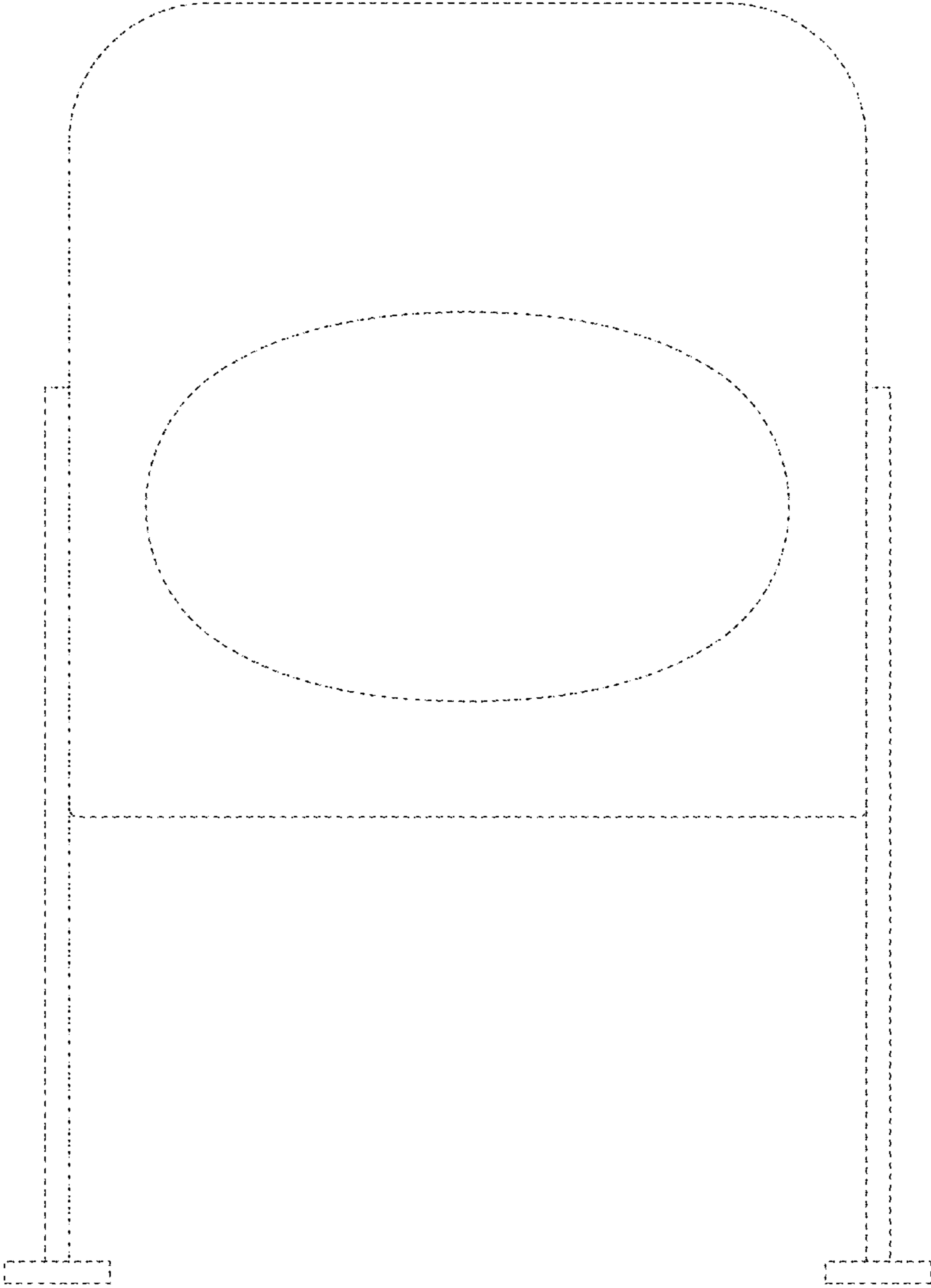


Fig.2

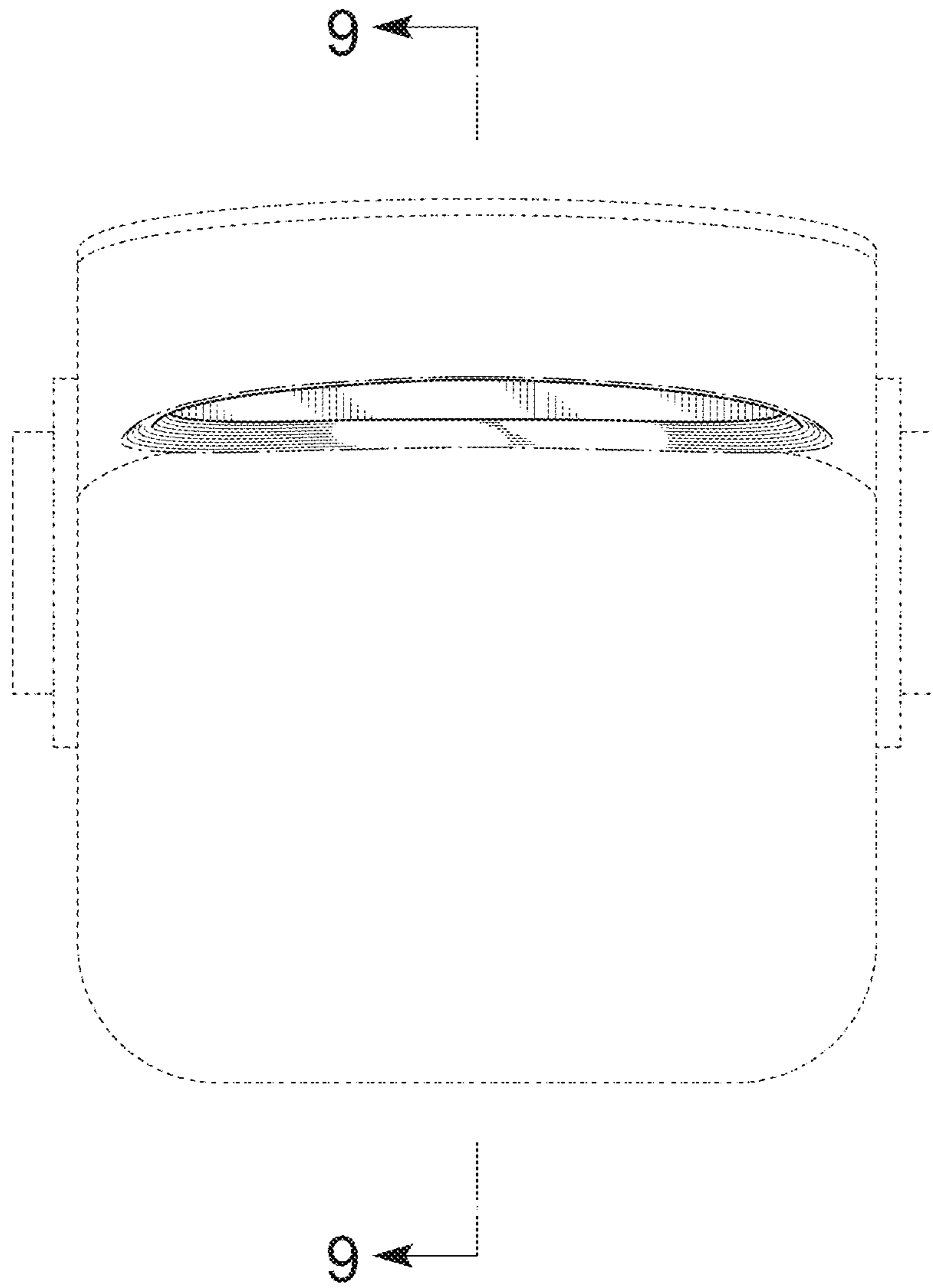


Fig.3

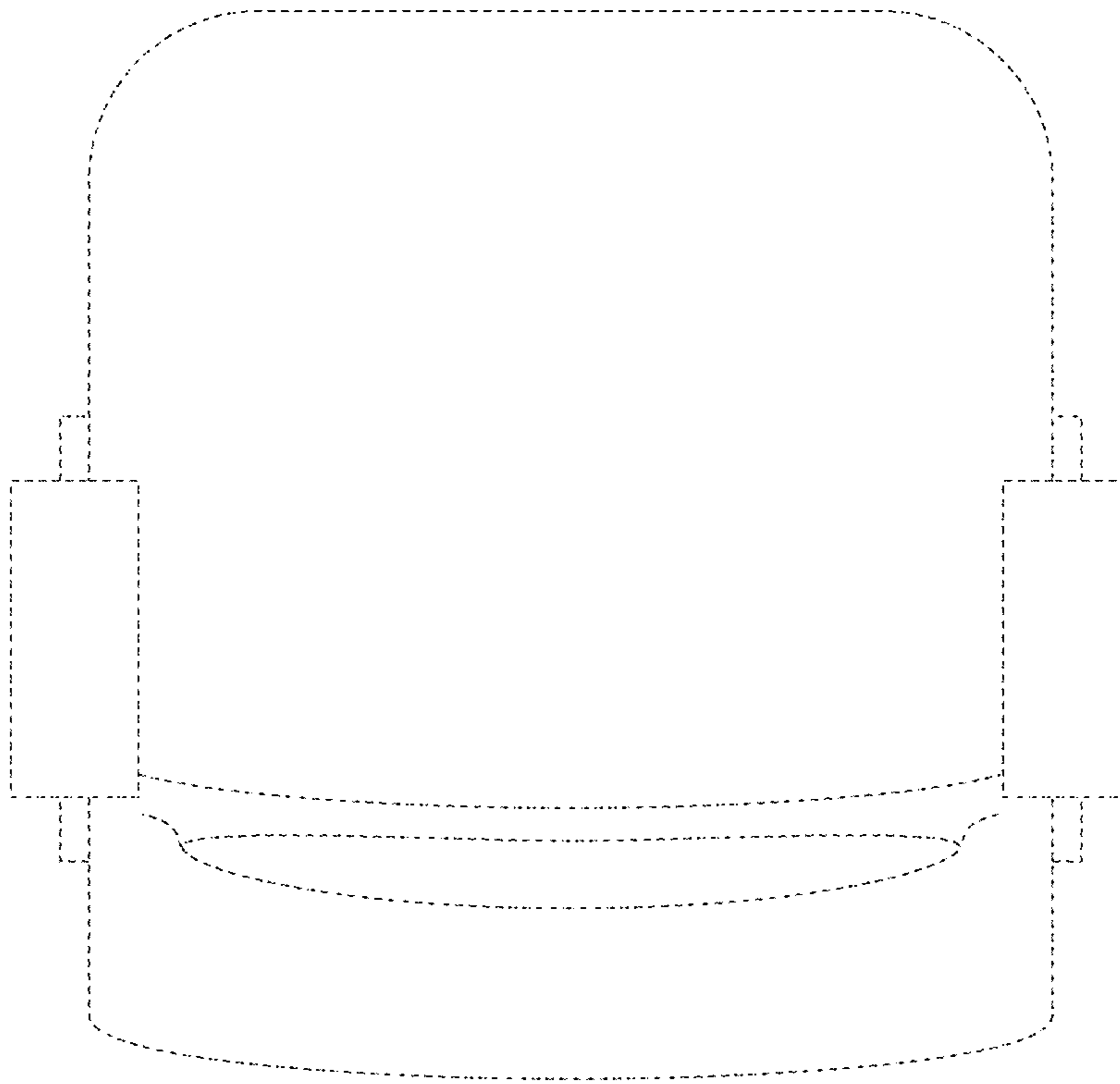


Fig.4

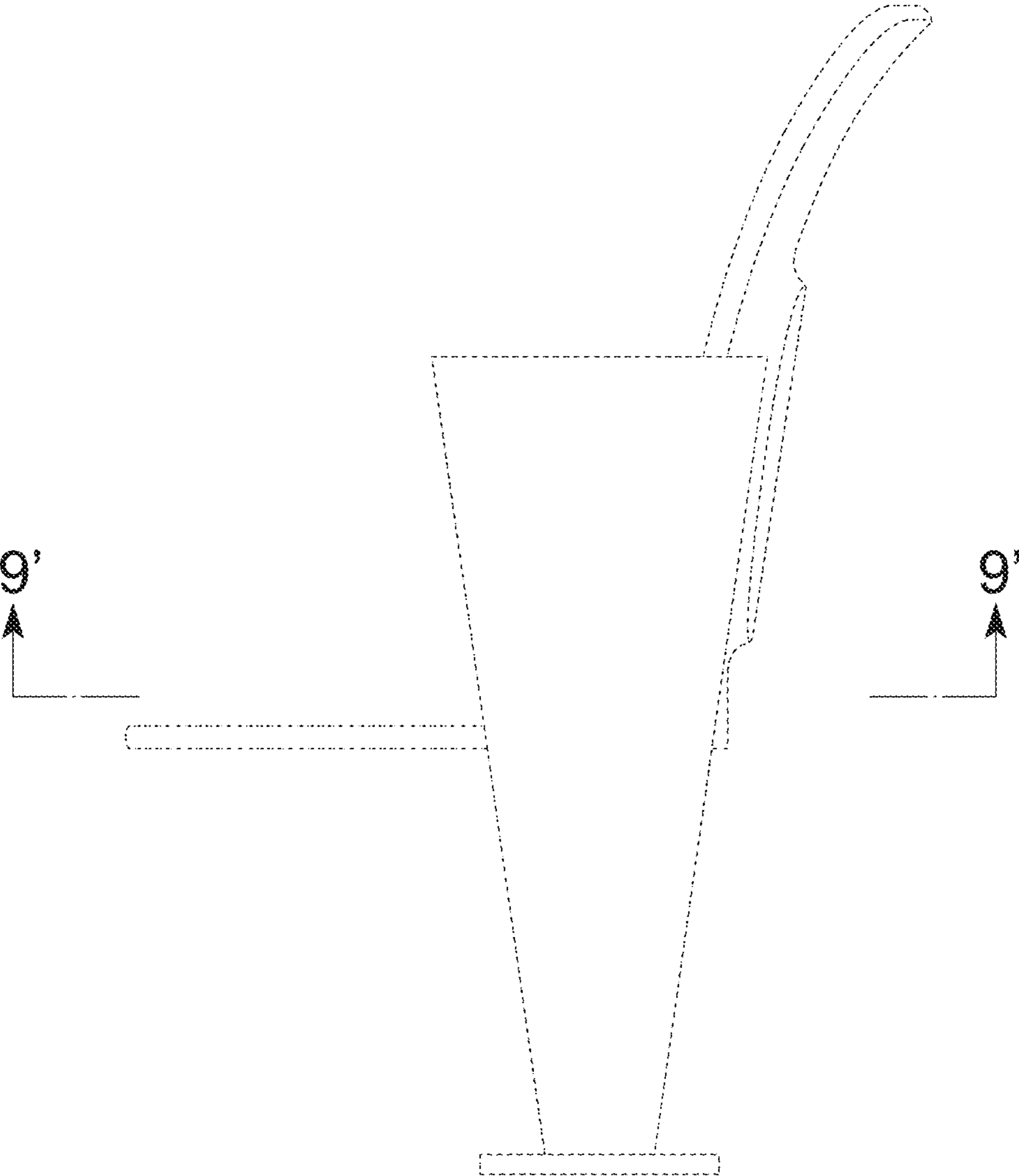


Fig.5

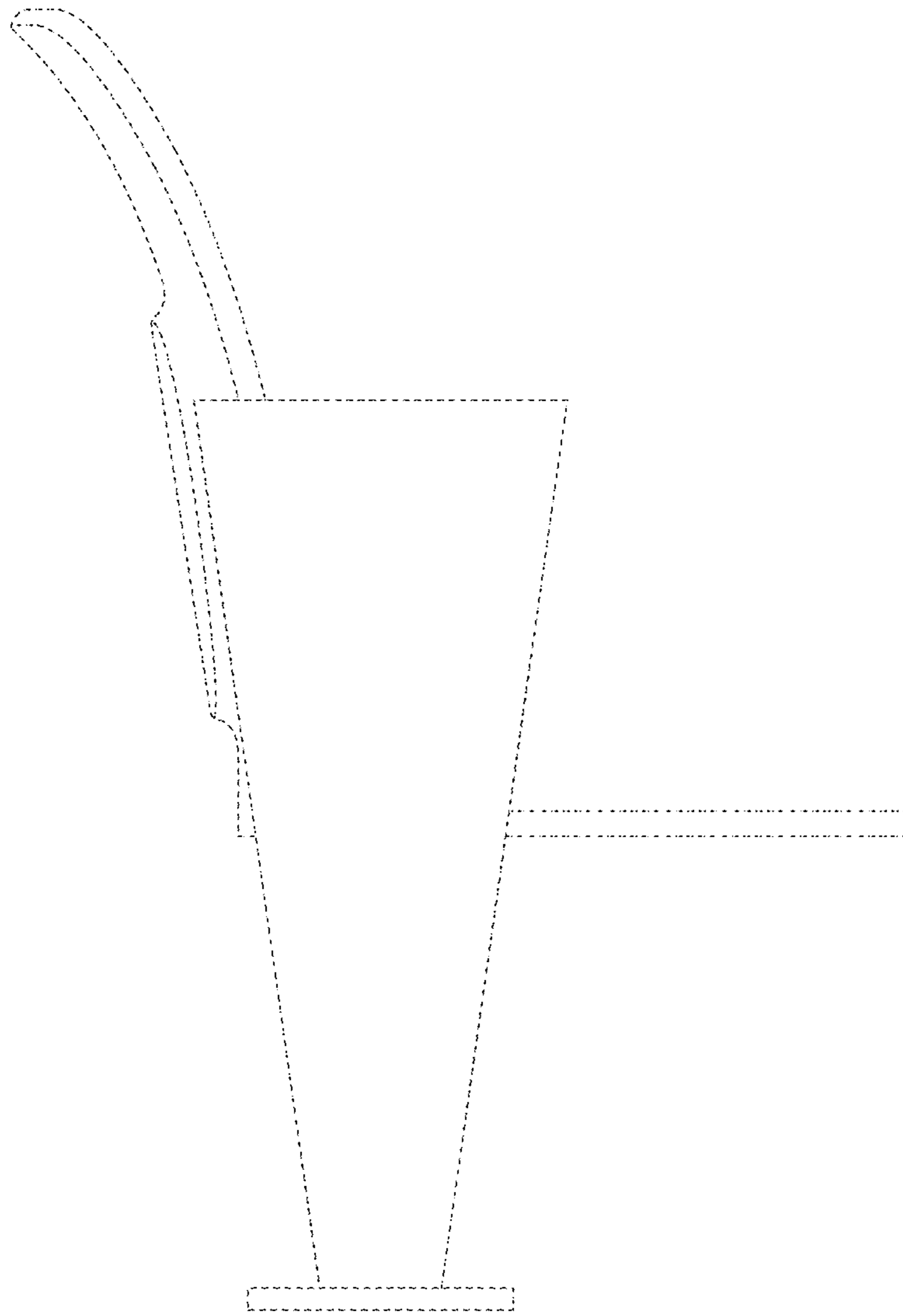


Fig.6



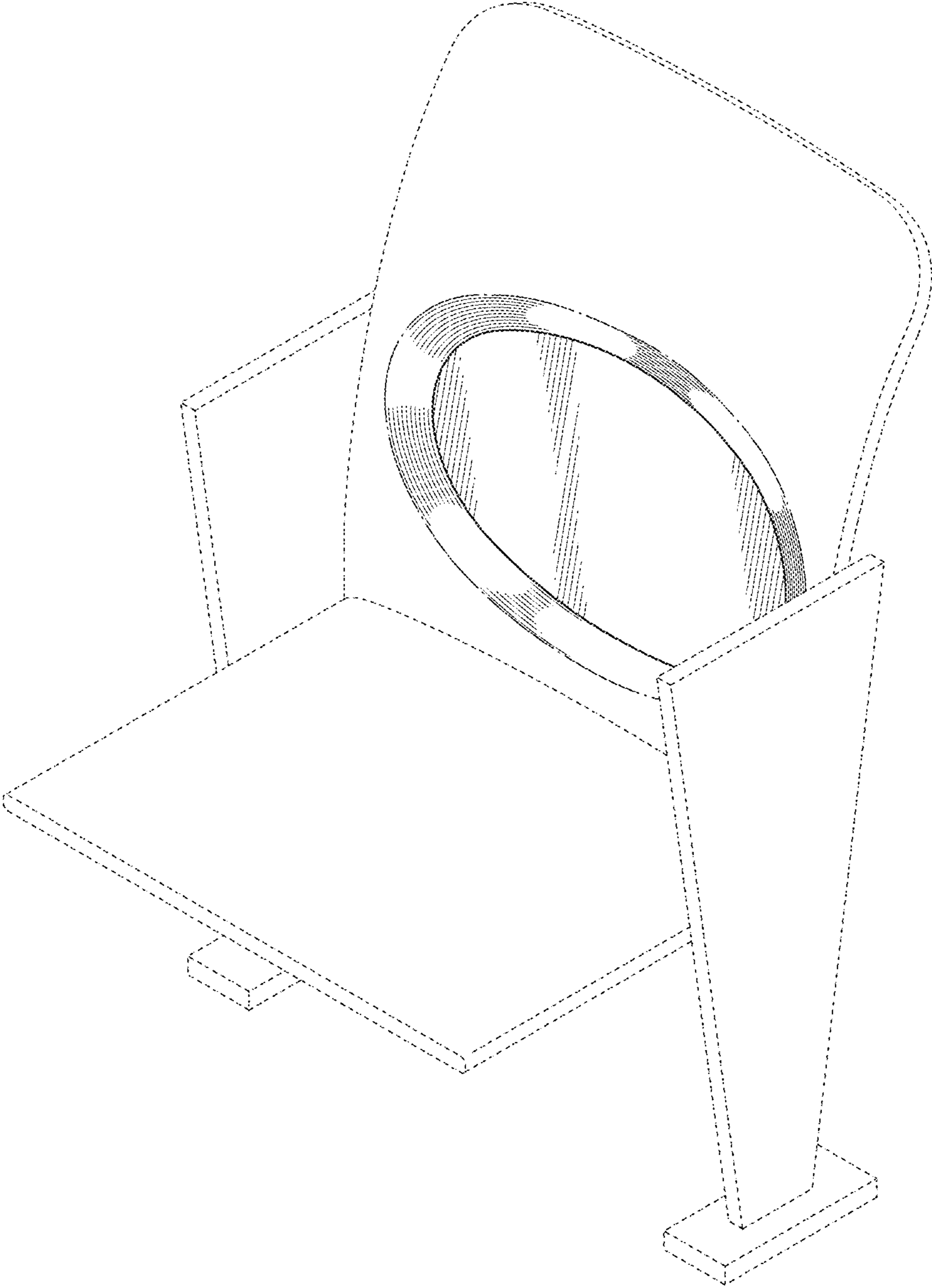


Fig.7

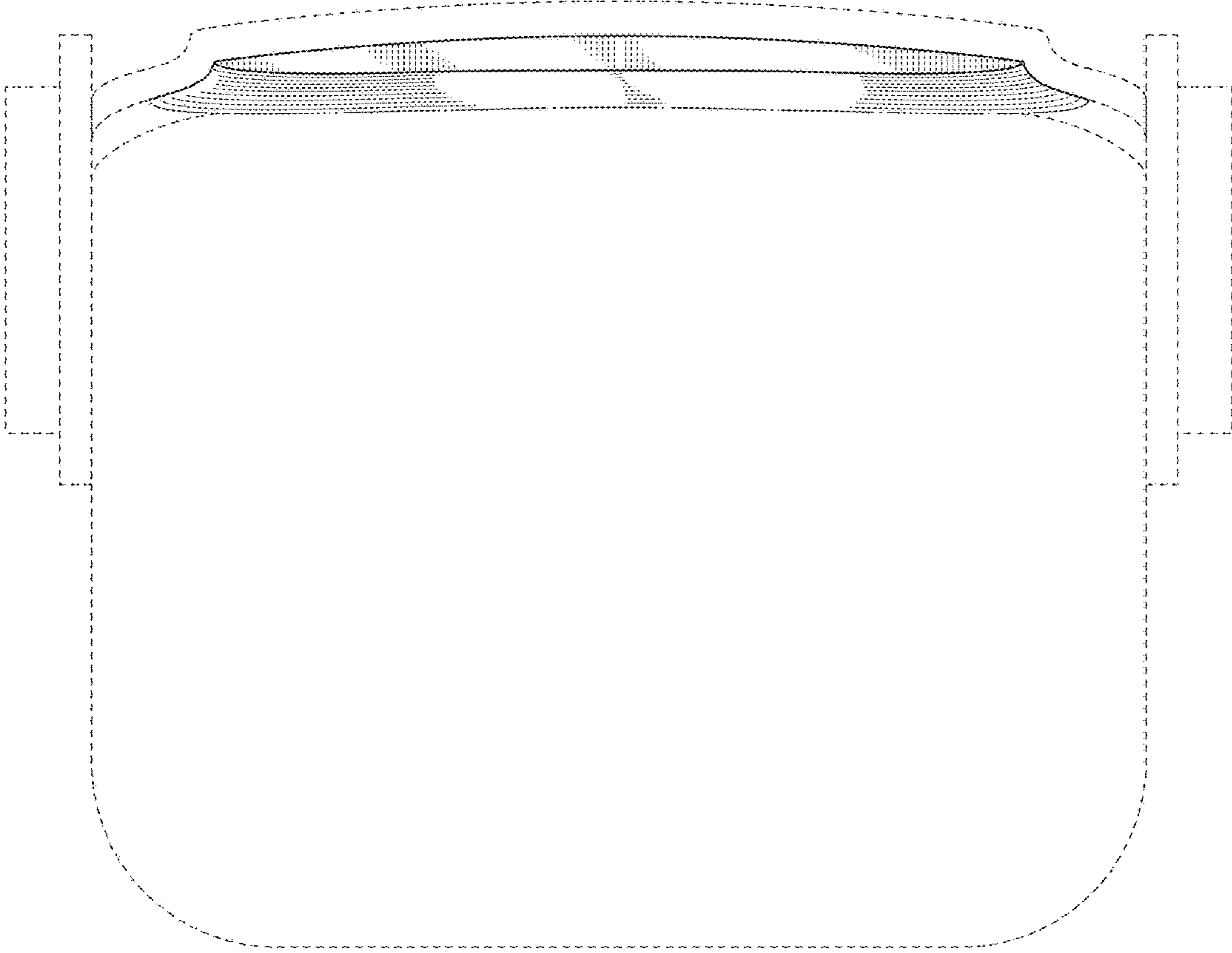


Fig.8

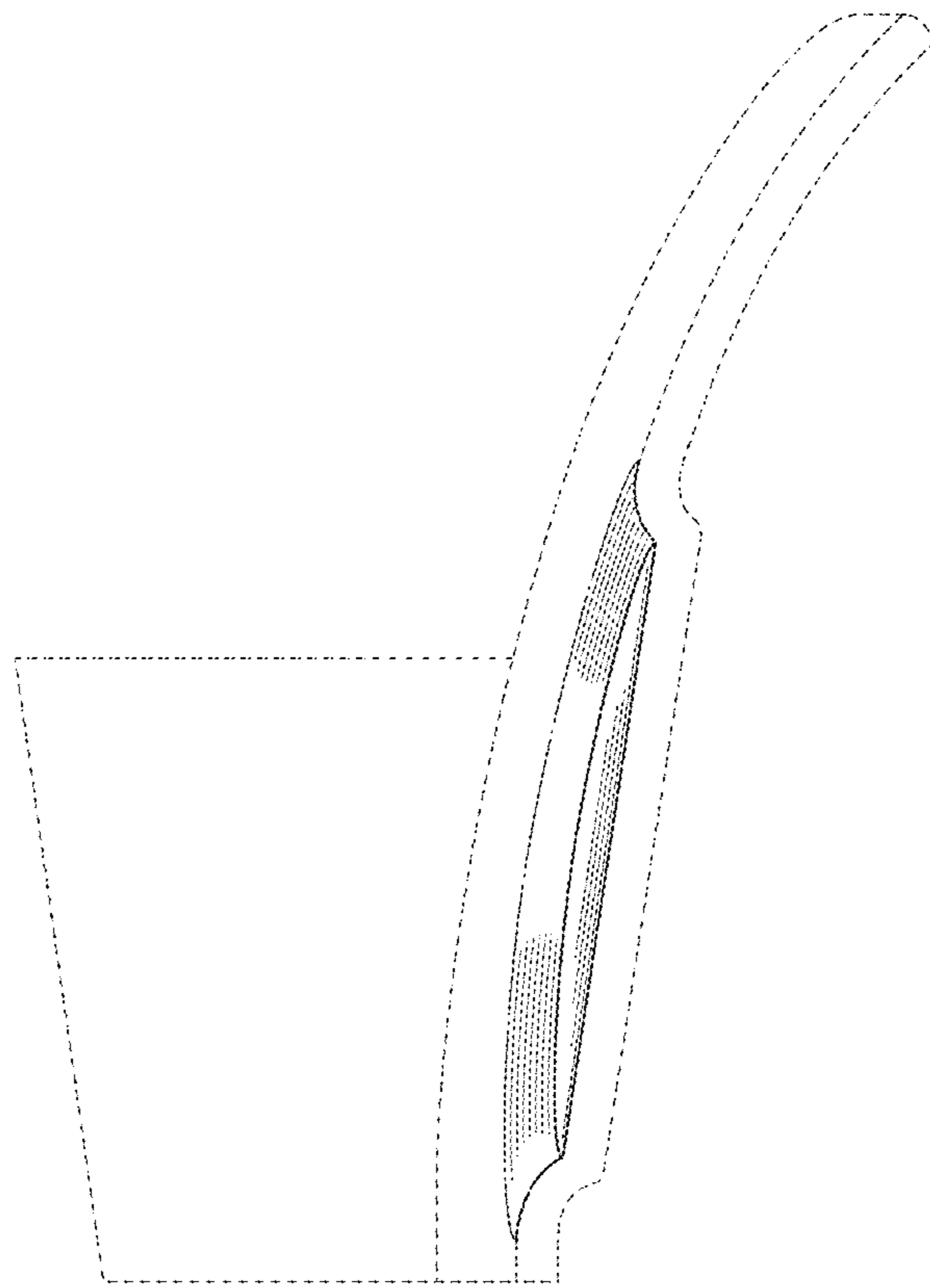


Fig.9