



US00D790267S

(12) **United States Design Patent** (10) **Patent No.:** **US D790,267 S**
Daw (45) **Date of Patent:** **** Jun. 27, 2017**

(54) **PULL-OUT SHELF UNIT**

FOREIGN PATENT DOCUMENTS

(71) Applicant: **Big Skies Limited**, Royston (GB)

EP 0441452 A1 8/1991
GB 2368000 A 4/2002

(72) Inventor: **Conway Daw**, Royston (GB)

(Continued)

(73) Assignee: **Big Skies Limited**, Royston (GB)

OTHER PUBLICATIONS

(**) Term: **14 Years**

UK Search Report for co-pending application No. GB1407972.7, issued Oct. 20, 2014.

(21) Appl. No.: **29/525,672**

Primary Examiner — Kelley Donnelly

(22) Filed: **May 1, 2015**

(74) *Attorney, Agent, or Firm* — Dinsmore & Shohl LLP

(30) **Foreign Application Priority Data**

(57) **CLAIM**

Feb. 18, 2015 (EM) 002636571-0001
Feb. 18, 2015 (EM) 002636571-0002
Feb. 18, 2015 (EM) 002636571-0003

The ornamental design for a pull-out shelf unit, as shown and described.

(51) **LOC (10) Cl.** **06-06**

DESCRIPTION

(52) **U.S. Cl.**
USPC **D6/705**

(58) **Field of Classification Search**
USPC D6/641, 642, 653, 653.1, 655, 698, 705,
D6/705.2, 706, 707; D19/75, 86, 90
CPC A47B 43/00; A47B 46/00; A47B 46/005
See application file for complete search history.

FIG. 1 is a front perspective view of a first embodiment of a pull-out shelf unit in an open configuration;
FIG. 2 is a front perspective view of the first embodiment in a closed configuration;
FIG. 3 is a rear perspective view of the first embodiment in the open configuration;
FIG. 4 is a rear perspective view of the first embodiment in the closed configuration;
FIG. 5 is a front view of the first embodiment;
FIG. 6 is a rear view of the first embodiment;
FIG. 7 is a side view of the first embodiment in the open configuration;
FIG. 8 is an opposite side view of the first embodiment in the open configuration;
FIG. 9 is a plan view of the first embodiment in the open configuration; and,
FIG. 10 is an underside view of the first embodiment in the open configuration.

(56) **References Cited**

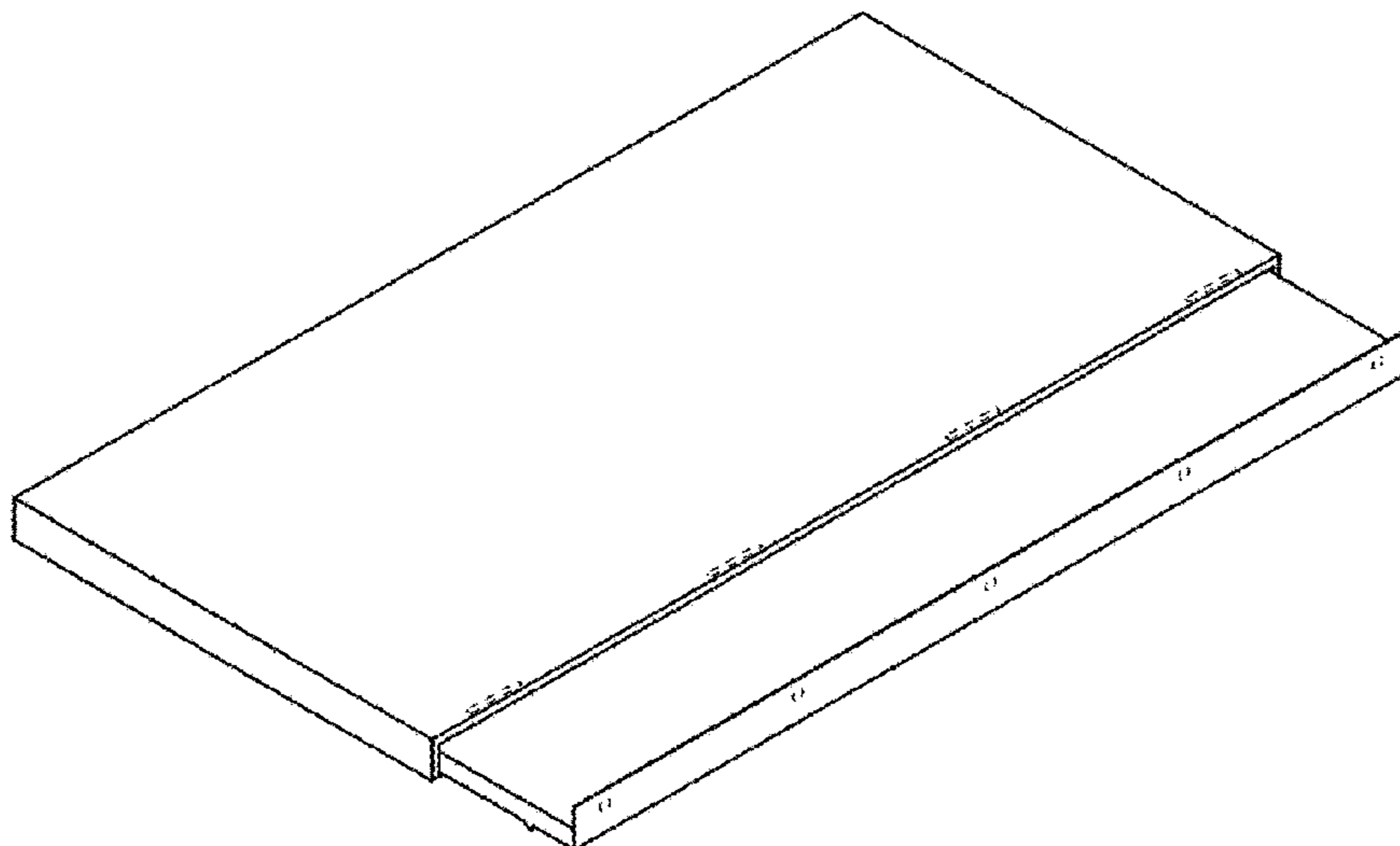
U.S. PATENT DOCUMENTS

3,640,389 A 2/1972 Snyder
D285,632 S * 9/1986 Axhamre D18/59
D286,833 S * 11/1986 Cervero D14/457
D287,678 S * 1/1987 Hatcher D14/447
D298,493 S * 11/1988 Hatcher D14/252
D300,291 S * 3/1989 Naes D14/447
5,096,074 A 3/1992 Merl
D364,290 S * 11/1995 Watts D6/675
5,673,801 A 10/1997 Markson
5,715,957 A 2/1998 Merl
D427,800 S * 7/2000 Dornbierer D19/92

The broken lines shown in the Figures are for environmental purposes only and form no part of the claimed design.

(Continued)

1 Claim, 4 Drawing Sheets



(56)

References Cited

U.S. PATENT DOCUMENTS

D428,742 S * 8/2000 Roberts D6/513
D444,979 S * 7/2001 Green D6/574
6,799,523 B1 10/2004 Cunha
D499,574 S * 12/2004 Spicer D14/447
D524,006 S * 6/2006 Verb D34/17
D557,266 S * 12/2007 Hughes D14/451
D564,529 S * 3/2008 Hughes D14/451
D602,290 S * 10/2009 Erickson D6/704
D630,452 S * 1/2011 Robbins D14/457
D644,455 S * 9/2011 Wilson D6/644
D644,457 S * 9/2011 Wilson D6/644
D724,876 S * 3/2015 Gokhale D6/705
D750,958 S * 3/2016 Childs D8/380
2004/0182804 A1 9/2004 Harper
2008/0308515 A1 12/2008 Lange et al.

FOREIGN PATENT DOCUMENTS

GB 2450912 A 1/2009
JP 2002125771 A 5/2002
JP 2004230058 A 8/2004
WO WO-2005046401 A1 5/2005

* cited by examiner

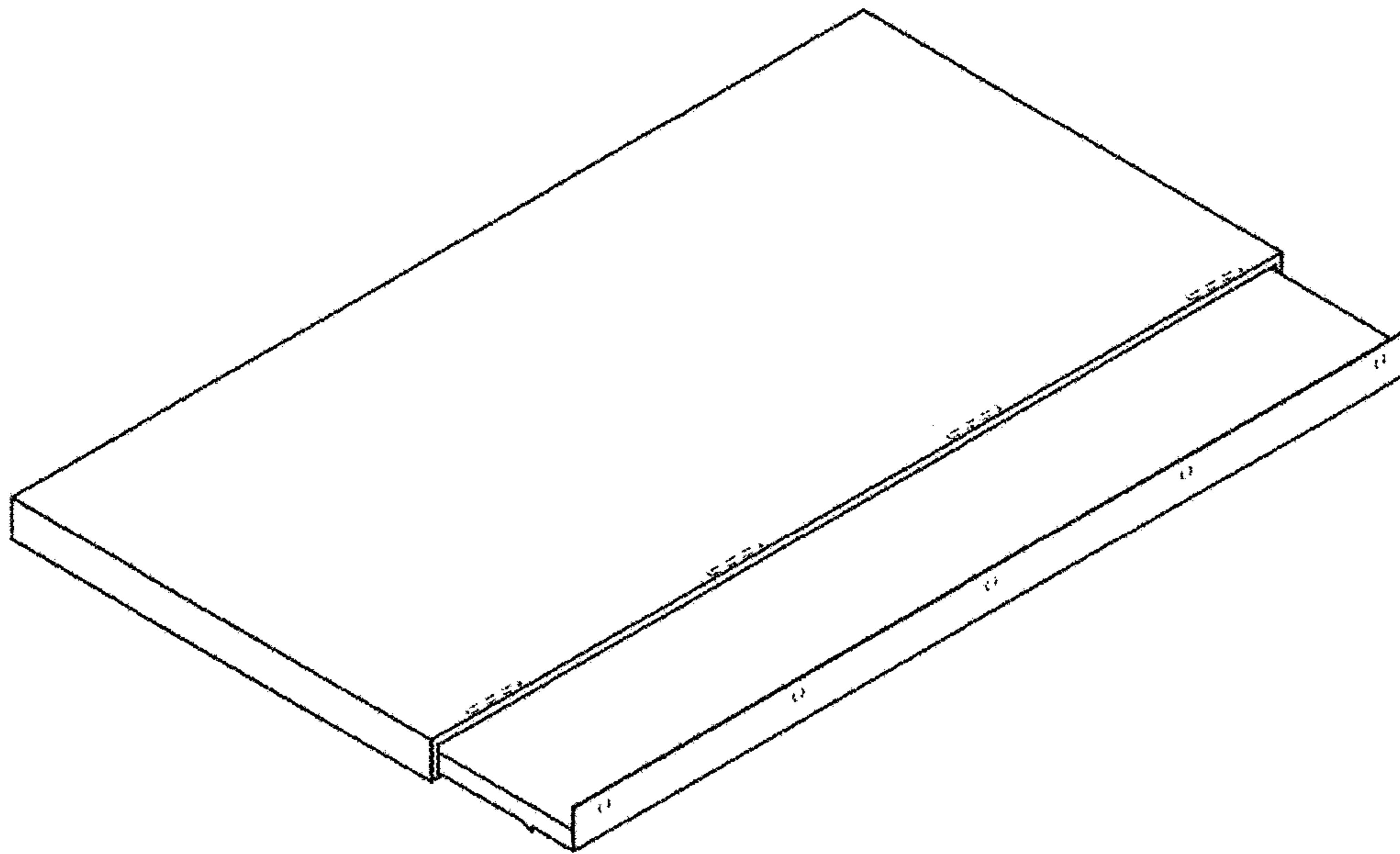


FIG. 1

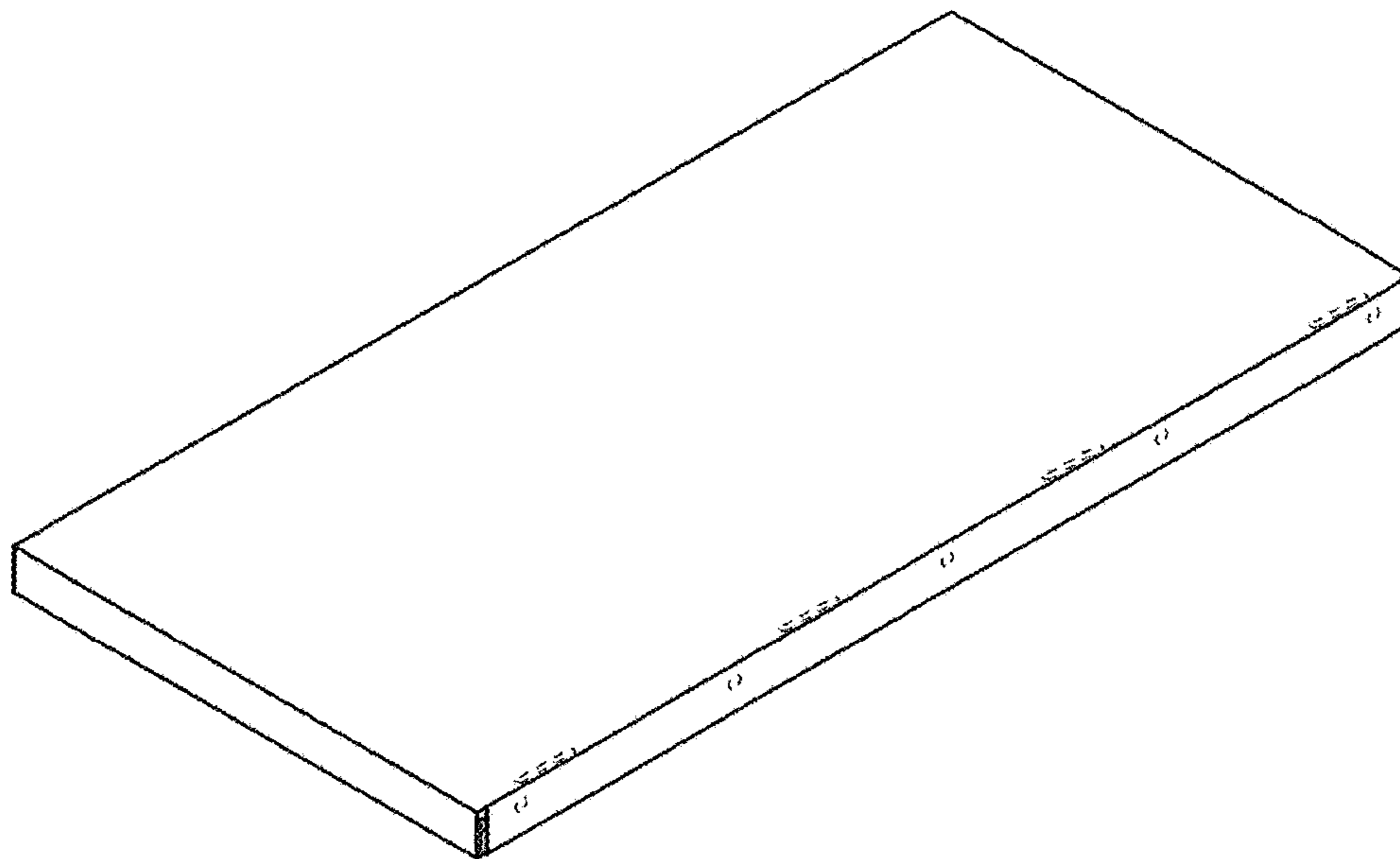


FIG. 2

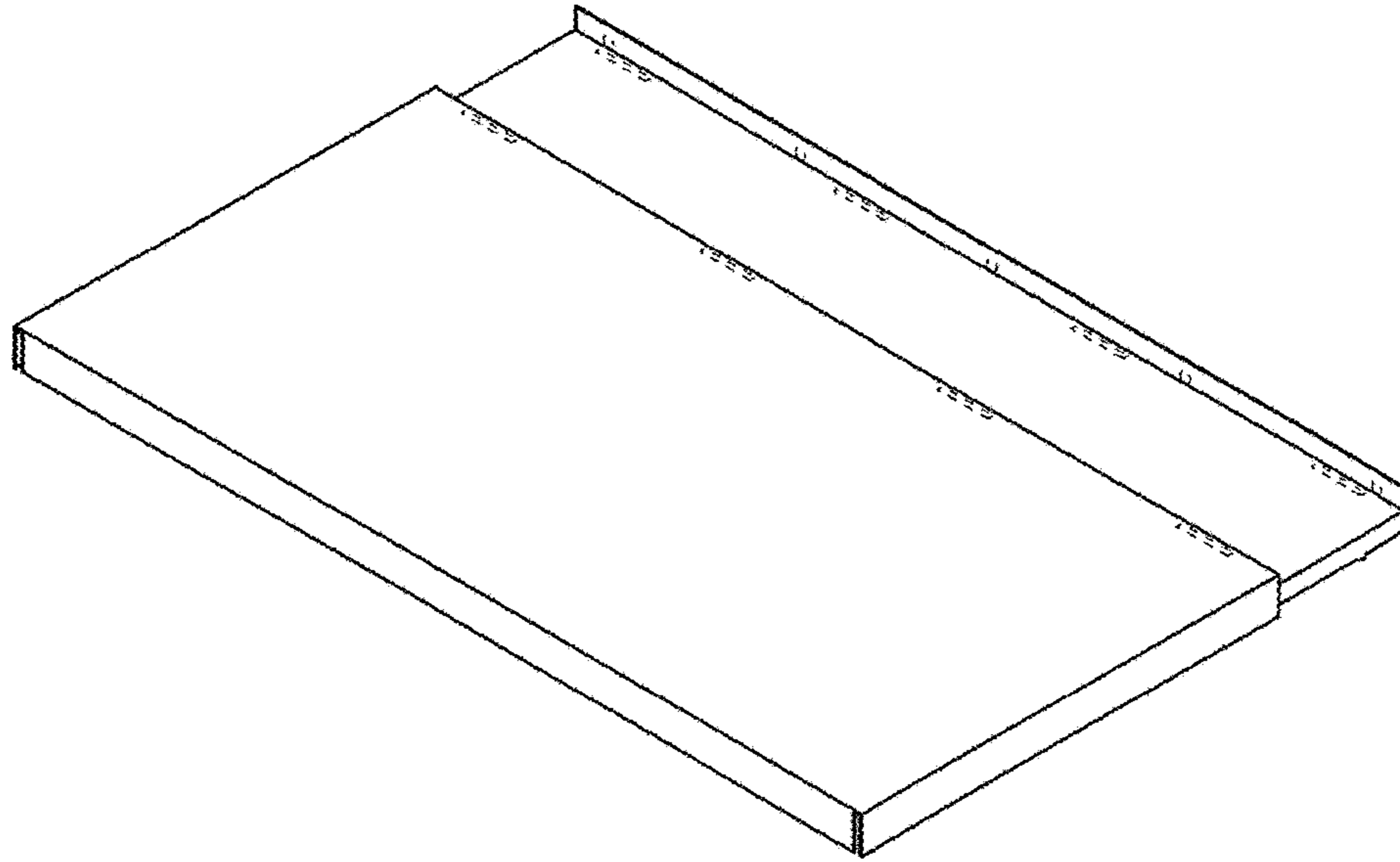


FIG. 3

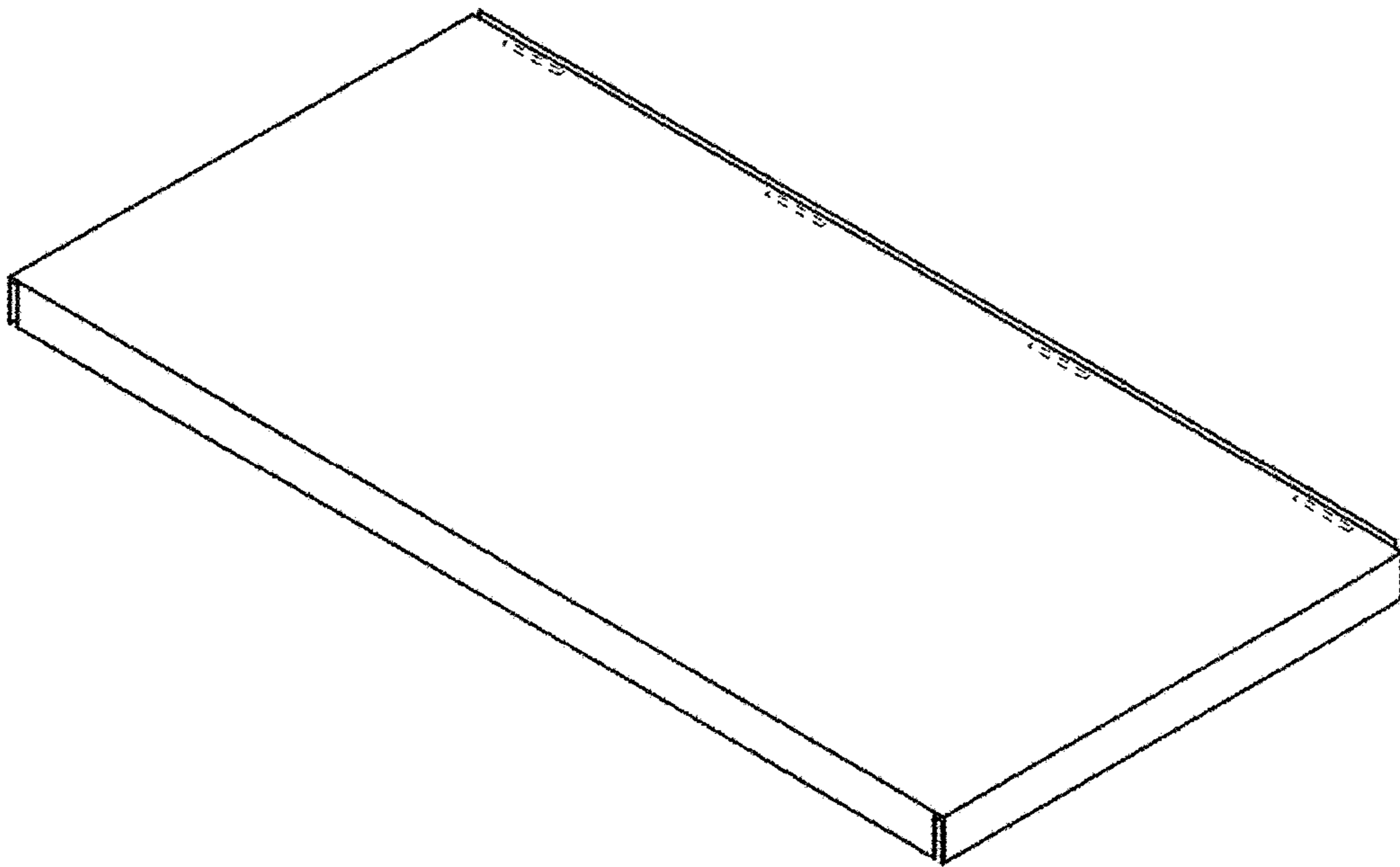


FIG. 4



FIG. 5



FIG. 6



FIG. 7



FIG. 8

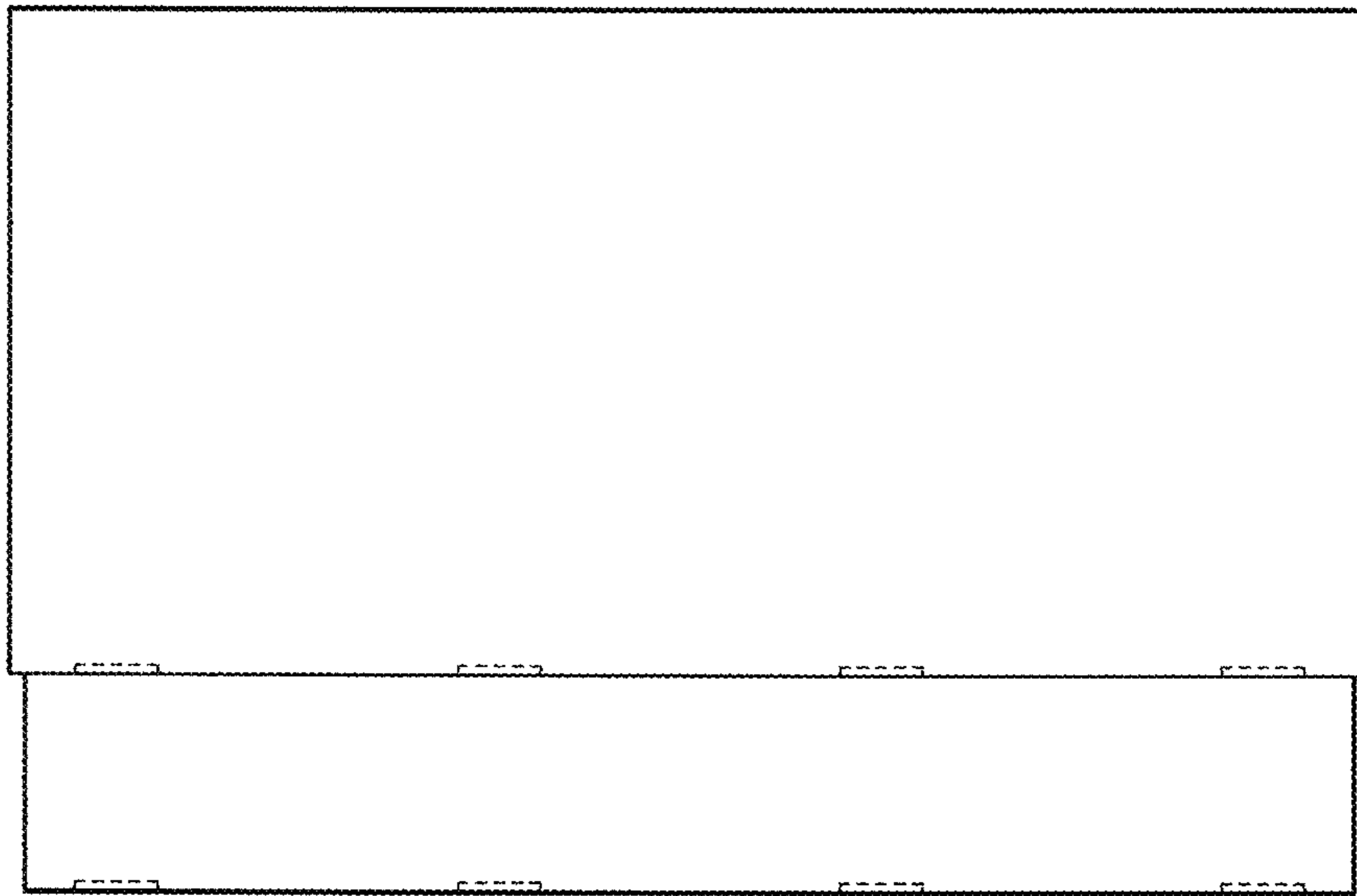


FIG. 9

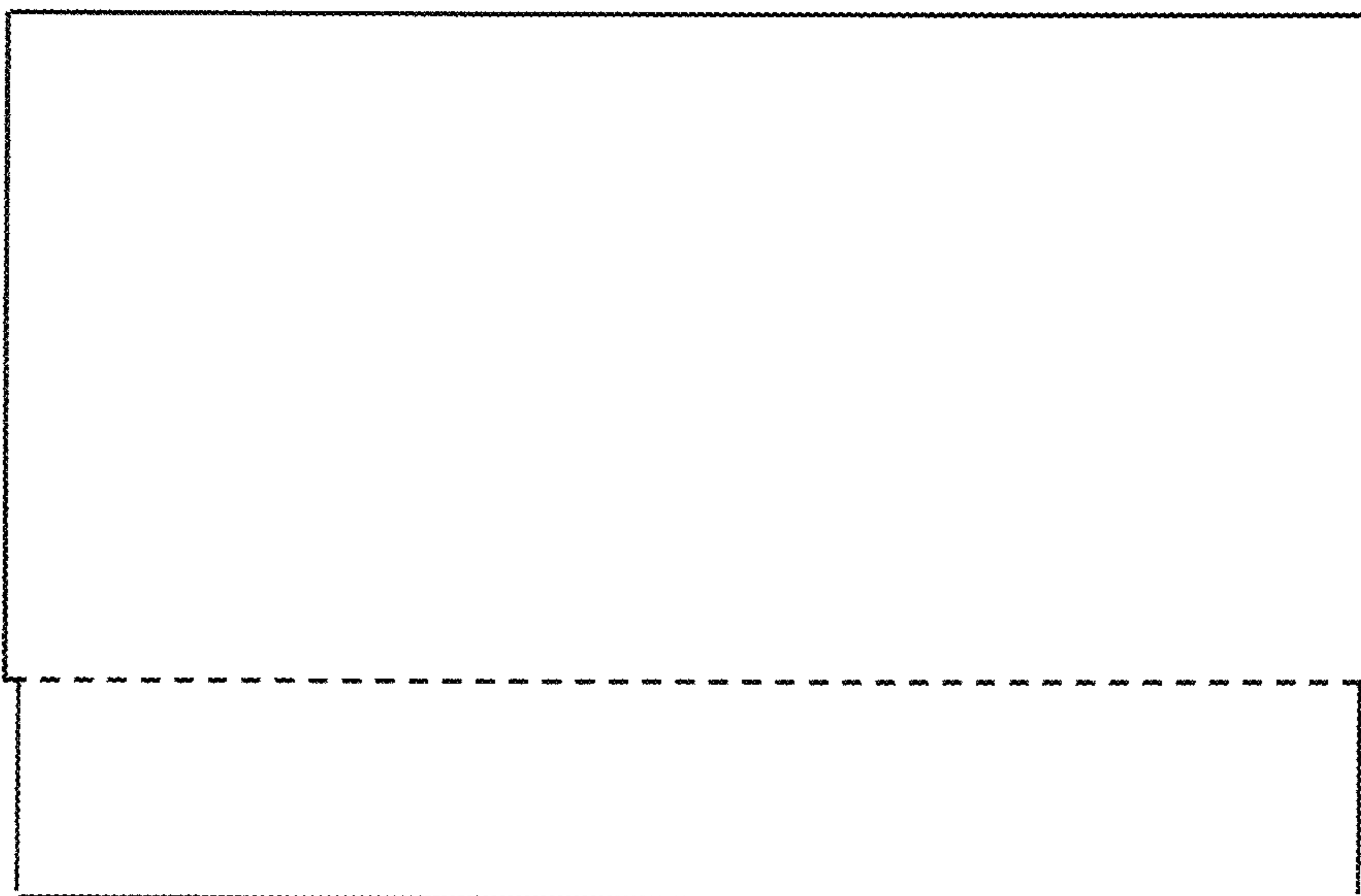


FIG. 10