



US00D790265S

(12) **United States Design Patent** (10) **Patent No.:** **US D790,265 S**  
**Bey et al.** (45) **Date of Patent:** **\*\* Jun. 27, 2017**

(54) **LOCKER DOOR**  
(71) Applicant: **Security People, Inc.**, Petaluma, CA (US)  
(72) Inventors: **Fadhly Bey**, San Francisco, CA (US); **Kelly Kodama**, Walnut Creek, CA (US); **Julian Peck**, San Rafael, CA (US); **Asil T. Gokcebay**, Petaluma, CA (US)  
(73) Assignee: **Security People, Inc.**, Petaluma, CA (US)

4,449,628 A 5/1984 Egly et al.  
4,486,981 A \* 12/1984 Billen ..... F25D 23/02  
49/382  
D341,962 S \* 12/1993 Bovermann ..... D13/184  
D346,960 S 5/1994 Bennett  
D351,829 S 10/1994 Maines  
D364,294 S \* 11/1995 Brightbill ..... D6/703  
D365,482 S 12/1995 Larimore  
D381,692 S 7/1997 Lovell  
D415,528 S 10/1999 Mandar  
D417,098 S \* 11/1999 Teufel ..... D6/703  
6,082,581 A 7/2000 Anderson et al.  
D432,341 S 10/2000 Shimbo et al.  
6,155,410 A 12/2000 Davis  
D439,652 S 3/2001 Schonberger et al.  
D458,063 S \* 6/2002 List, Jr. .... D6/703

(\*\*) Term: **15 Years**

(21) Appl. No.: **29/537,405**

(22) Filed: **Aug. 25, 2015**

**Related U.S. Application Data**

(60) Division of application No. 29/435,460, filed on Oct. 24, 2012, now Pat. No. Des. 737,083, which is a continuation-in-part of application No. 29/387,935, filed on Mar. 21, 2011, now Pat. No. Des. 672,585.

(51) **LOC (10) Cl.** ..... **06-06**

(52) **U.S. Cl.**  
USPC ..... **D6/703**

(58) **Field of Classification Search**  
USPC ..... D6/407, 626-635, 332, 432-434, D6/509-511, 533-559, 703; D3/273-275; D19/75-77; 206/232, 206/307.1, 308.1, 308.3, 309-313; 312/9.57, 9.48, 9.55, 9.64, 9.47  
CPC ..... A47B 43/003; A47B 46/005  
See application file for complete search history.

(56) **References Cited**

**U.S. PATENT DOCUMENTS**

D171,242 S 1/1954 Belf et al.  
D222,819 S 1/1972 Del Corno

(Continued)  
*Primary Examiner* — Kelley Donnelly  
(74) *Attorney, Agent, or Firm* — Thomas M. Freiburger

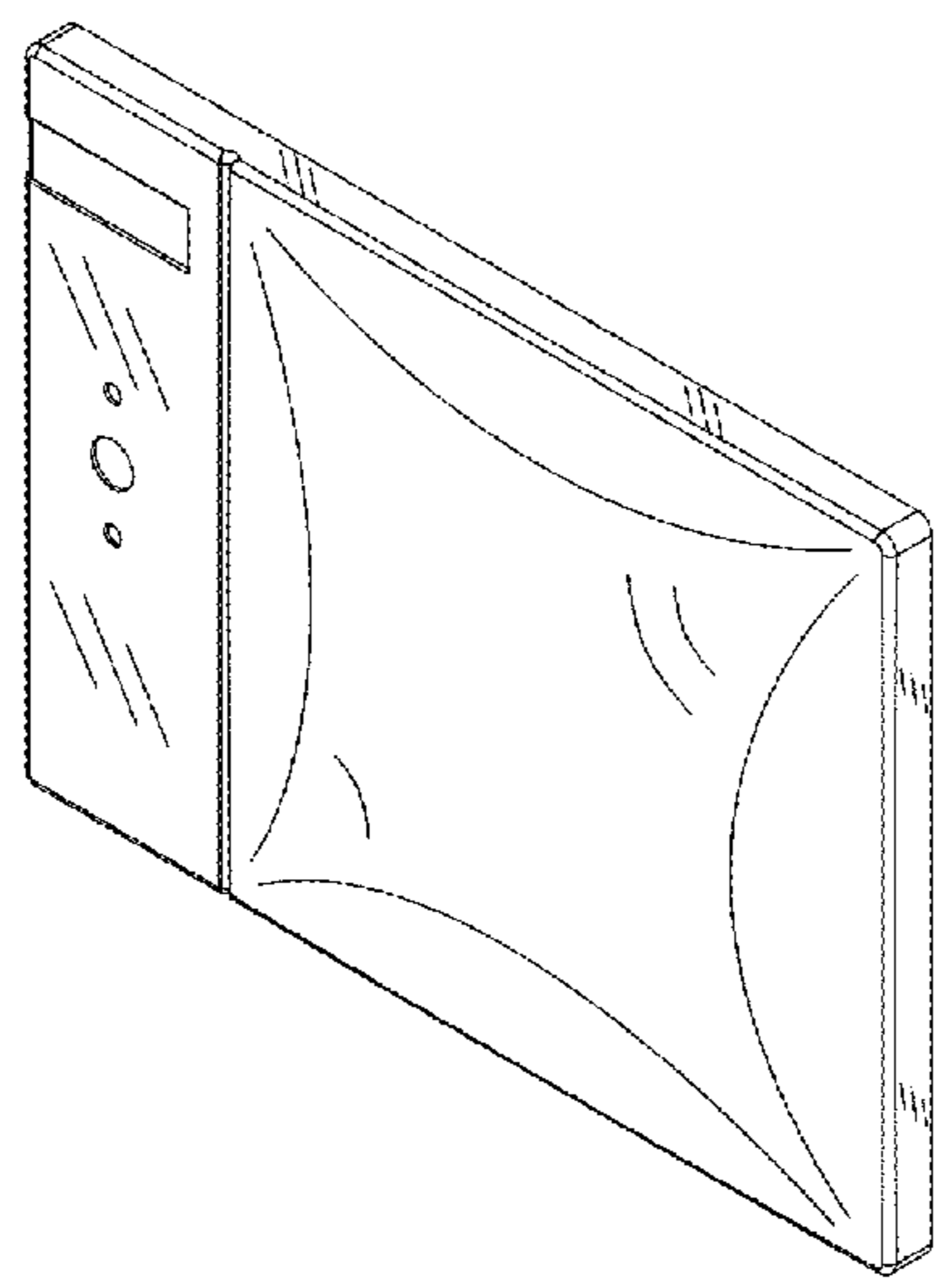
(57) **CLAIM**

The ornamental design for a locker door, substantially as shown and described.

**DESCRIPTION**

FIG. 1 is a front perspective view of a first embodiment of a locker door according to my new design;  
FIG. 2 is a top plan view thereof, the bottom view being a mirror image;  
FIG. 3 is a rear elevation view thereof;  
FIG. 4 is a left side edge view thereof;  
FIG. 5 is a right side edge view thereof;  
FIG. 6 is a front perspective view of a second embodiment of a locker door according to my design;  
FIG. 7 is a top plan view thereof, the bottom view being a mirror image;  
FIG. 8 is a rear elevation view thereof;  
FIG. 9 is a left side edge view thereof; and,  
FIG. 10 is a right side edge view thereof.

**1 Claim, 2 Drawing Sheets**



(56)

References Cited

U.S. PATENT DOCUMENTS

D458,064 S *	6/2002	List, Jr. ....	D6/703	D643,831 S	8/2011	Chun et al.	
D458,483 S *	6/2002	List, Jr. ....	D6/703	D648,970 S	11/2011	Zealer	
D465,689 S	11/2002	Kondo		D656,768 S	4/2012	Zealer	
D468,941 S *	1/2003	List, Jr. ....	D6/703	D656,770 S	4/2012	Zealer	
D469,995 S *	2/2003	Barger .....	D6/703	D661,519 S	6/2012	James et al.	
D479,241 S *	9/2003	Witte .....	D14/441	D665,215 S	8/2012	Zealer	
D499,972 S	12/2004	van de Wiel et al.		D665,216 S	8/2012	Zealer	
D518,673 S	4/2006	Millstein		D665,217 S	8/2012	Zealer	
D528,297 S	9/2006	Feldmann et al.		D670,518 S	11/2012	Kluck	
D529,087 S	9/2006	Dixon		D692,489 S	10/2013	De Bellis et al.	
D531,075 S	10/2006	Vantine		D697,346 S *	1/2014	Wysock .....	D6/703
D557,546 S	12/2007	Gelardi et al.		D704,957 S	5/2014	Dimitrakos	
D558,503 S	1/2008	Hurley		D707,293 S	6/2014	Carey	
D600,964 S	9/2009	Elia et al.		D708,667 S	7/2014	Carrington	
D620,976 S	8/2010	Dietrich		D725,657 S	3/2015	Glasgow	
D626,769 S	11/2010	Rogers		D726,190 S	4/2015	Lee et al.	
D635,380 S	4/2011	Kim		D732,776 S *	6/2015	Chung .....	D32/25
D637,648 S	5/2011	Ringl		D737,083 S	8/2015	Bey et al.	
				D744,190 S *	11/2015	Pannier .....	D99/43
				D764,846 S *	8/2016	Reinhart .....	D6/703
				D776,472 S *	1/2017	Nicholson .....	D6/703

\* cited by examiner

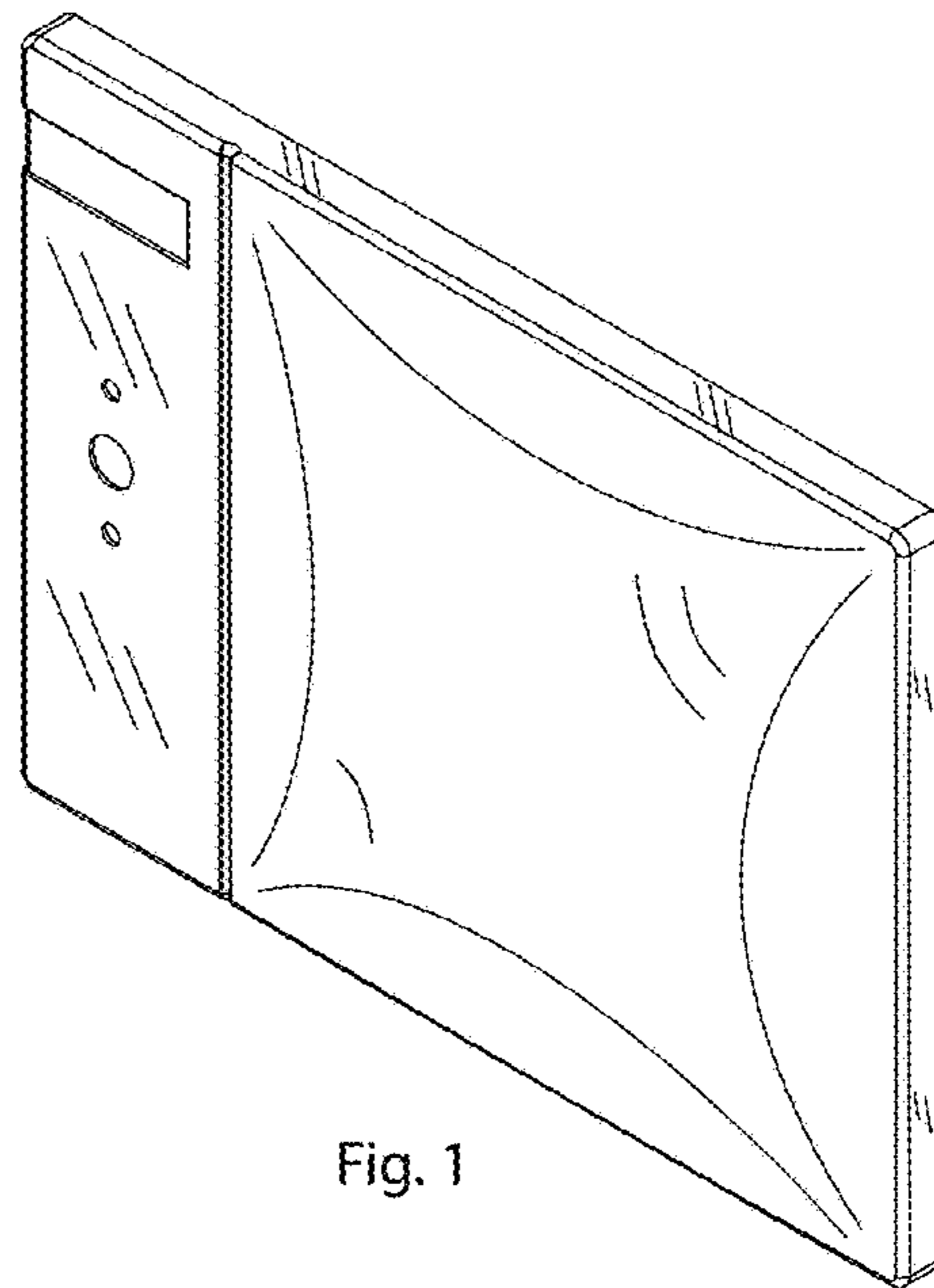


Fig. 1

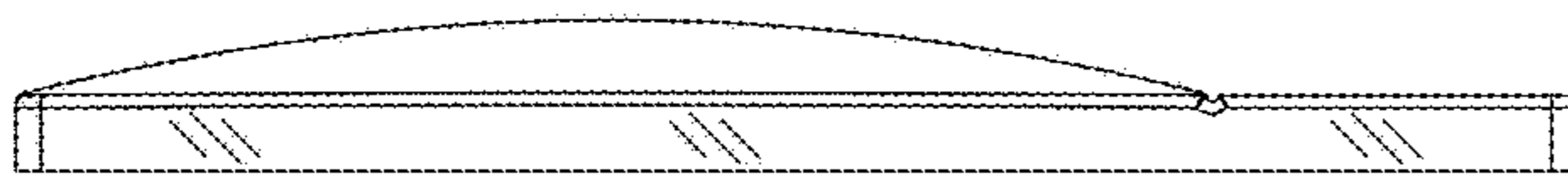


Fig. 2

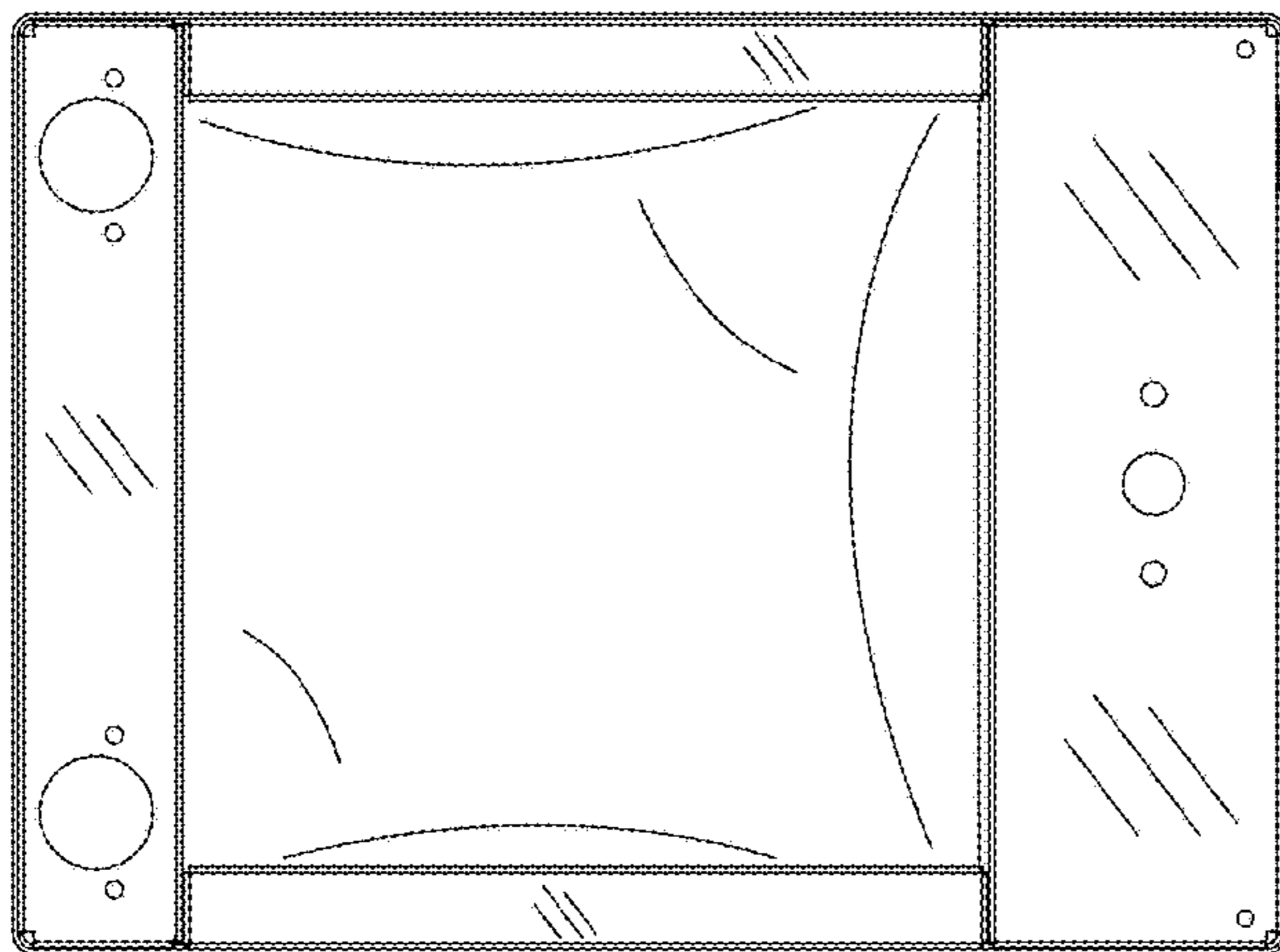


Fig. 3



Fig. 4

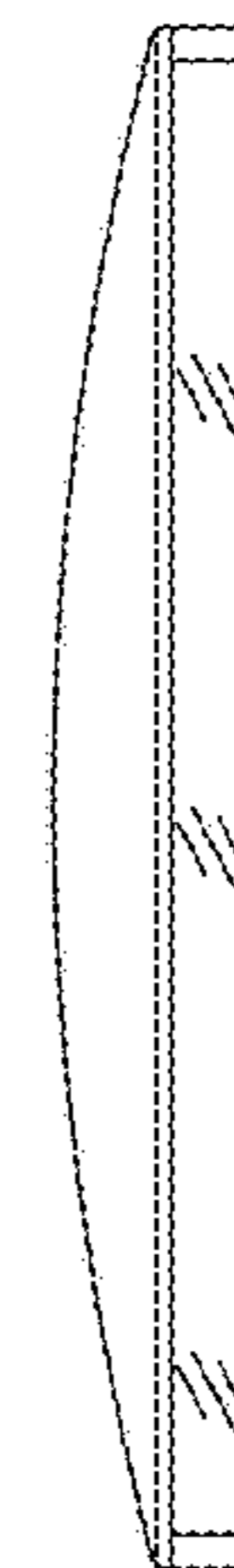


Fig. 5

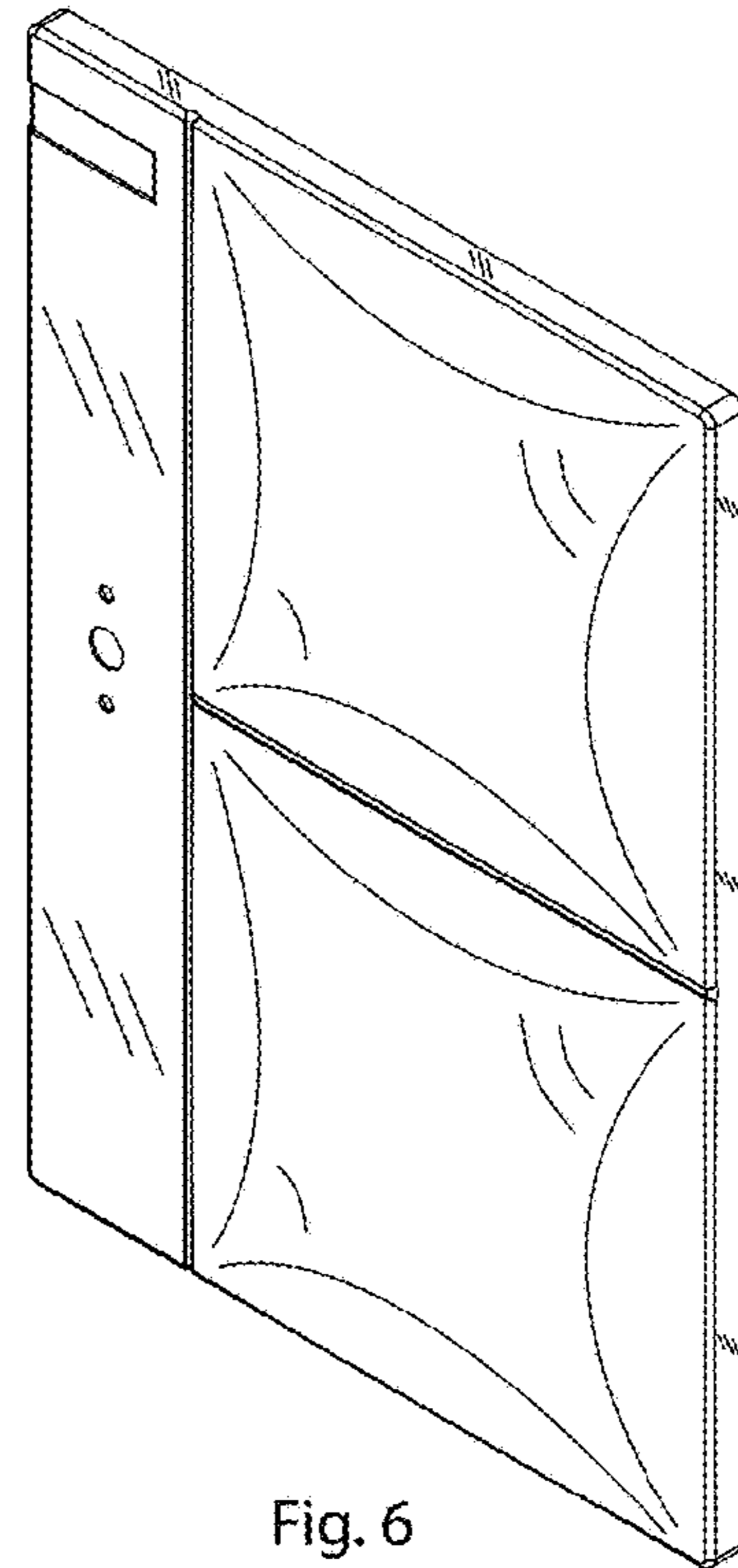


Fig. 6

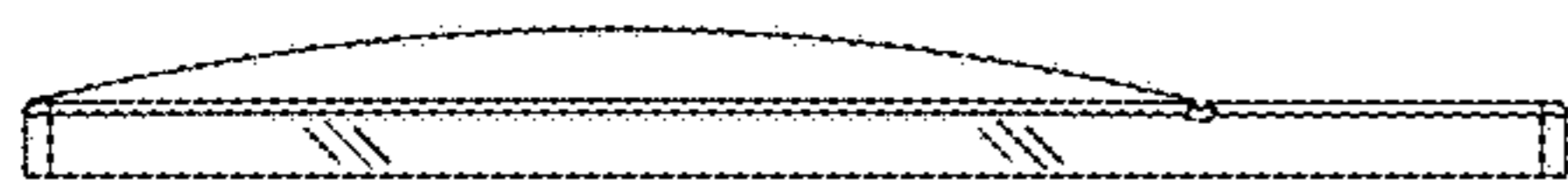


Fig. 7

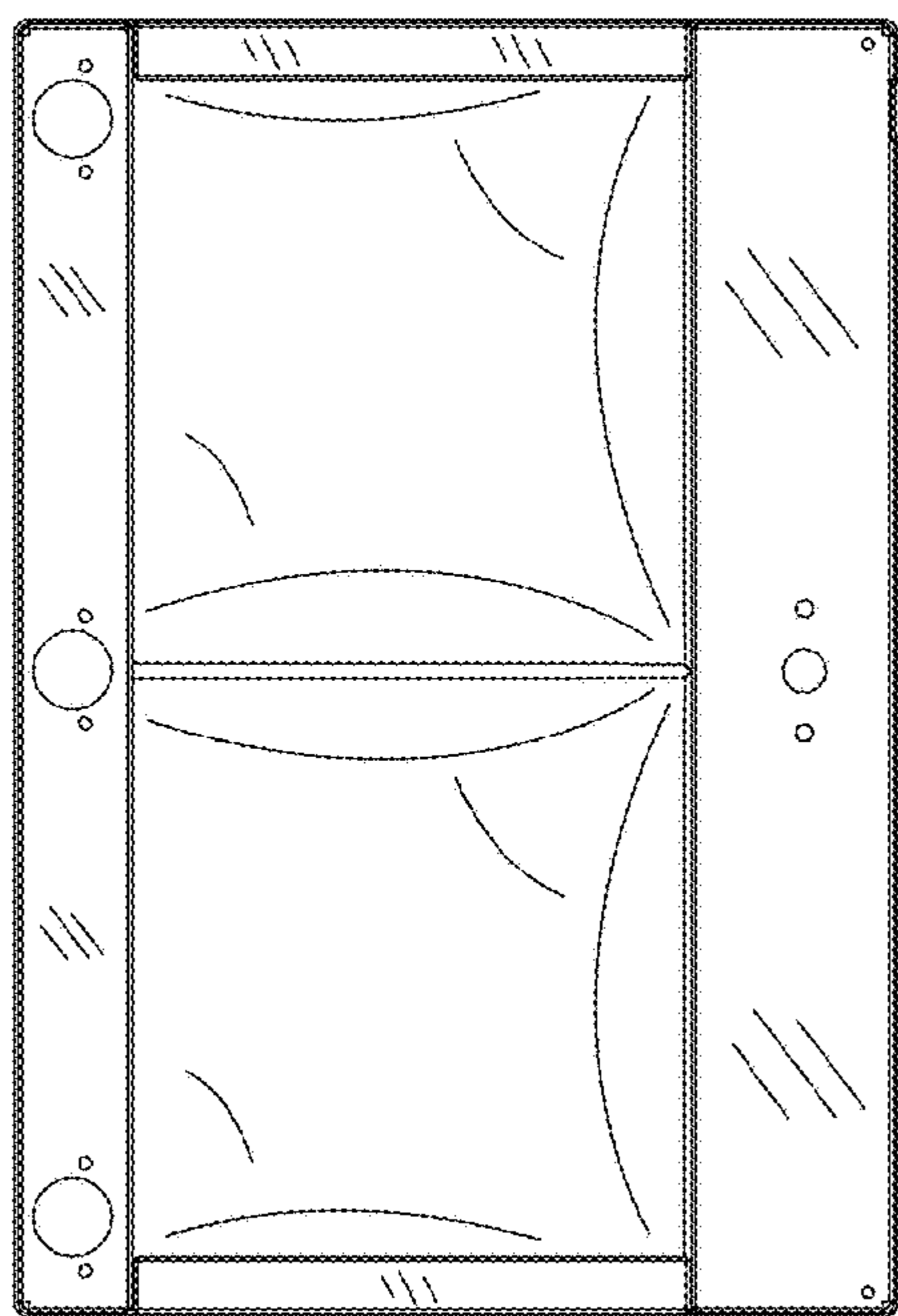


Fig. 8

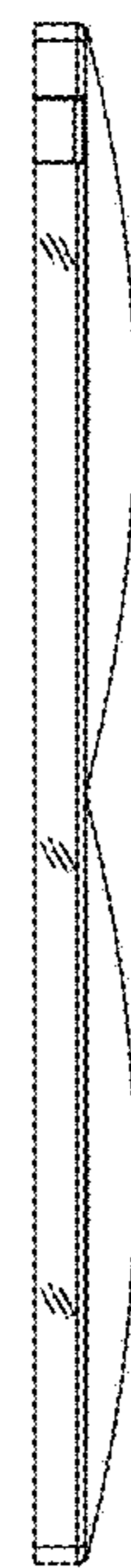


Fig. 9



Fig. 10