



US00D790261S

(12) **United States Design Patent**
Rogers

(10) **Patent No.:** **US D790,261 S**
(45) **Date of Patent:** **** Jun. 27, 2017**

(54) **MERCHANDISING DISPLAY TABLE**

(71) Applicant: **David Marrell Rogers**, Lewisville, NC (US)

(72) Inventor: **David Marrell Rogers**, Lewisville, NC (US)

(73) Assignee: **Imageworks Display & Marketing Group**, Winston-Salem, NC (US)

(**) Term: **15 Years**

(21) Appl. No.: **29/542,296**

(22) Filed: **Oct. 13, 2015**

(51) **LOC (10) Cl.** **06-04**

(52) **U.S. Cl.**
USPC **D6/675.1**

(58) **Field of Classification Search**
USPC D6/514, 657, 661, 662.1, 663, 668.1, D6/668.2, 669, 671, 671.1, 672, 675.1,
(Continued)

(56) **References Cited**

U.S. PATENT DOCUMENTS

D302,064 S * 7/1989 Delmerico D34/20
D391,032 S * 2/1998 Delmerico D34/20
(Continued)

Primary Examiner — Manpreet Matharu

Assistant Examiner — Keith Wilson

(74) *Attorney, Agent, or Firm* — Robert W. Pitts

(57) **CLAIM**

I claim the ornamental design for a merchandising display table, as shown and described.

DESCRIPTION

FIG. 1 is a three dimensional view of a merchandising display table according to this invention showing the multi-

tiered table from above and from the front side and from one end with pull-out trays one the ends in the retracted position. FIG. 2 is a three dimensional view similar to FIG. 1, but showing the merchandising display table from a lower point of view.

FIG. 3 is three dimensional view of the merchandising display table of FIGS. 1 and 2, showing the table from substantially the same level as FIG. 2, but with one of two identical ends facing forward.

FIG. 4 is a top plan view showing the upper shelf of the merchandising display table of FIGS. 1-3 with pull-out trays on both ends in the retracted position. The bow tie shape of the central counter or shelf space is seen in this view. This bow tie shape is formed by two abutting trapezoidal sections. Both the upper and lower shelf have this same bow tie shape.

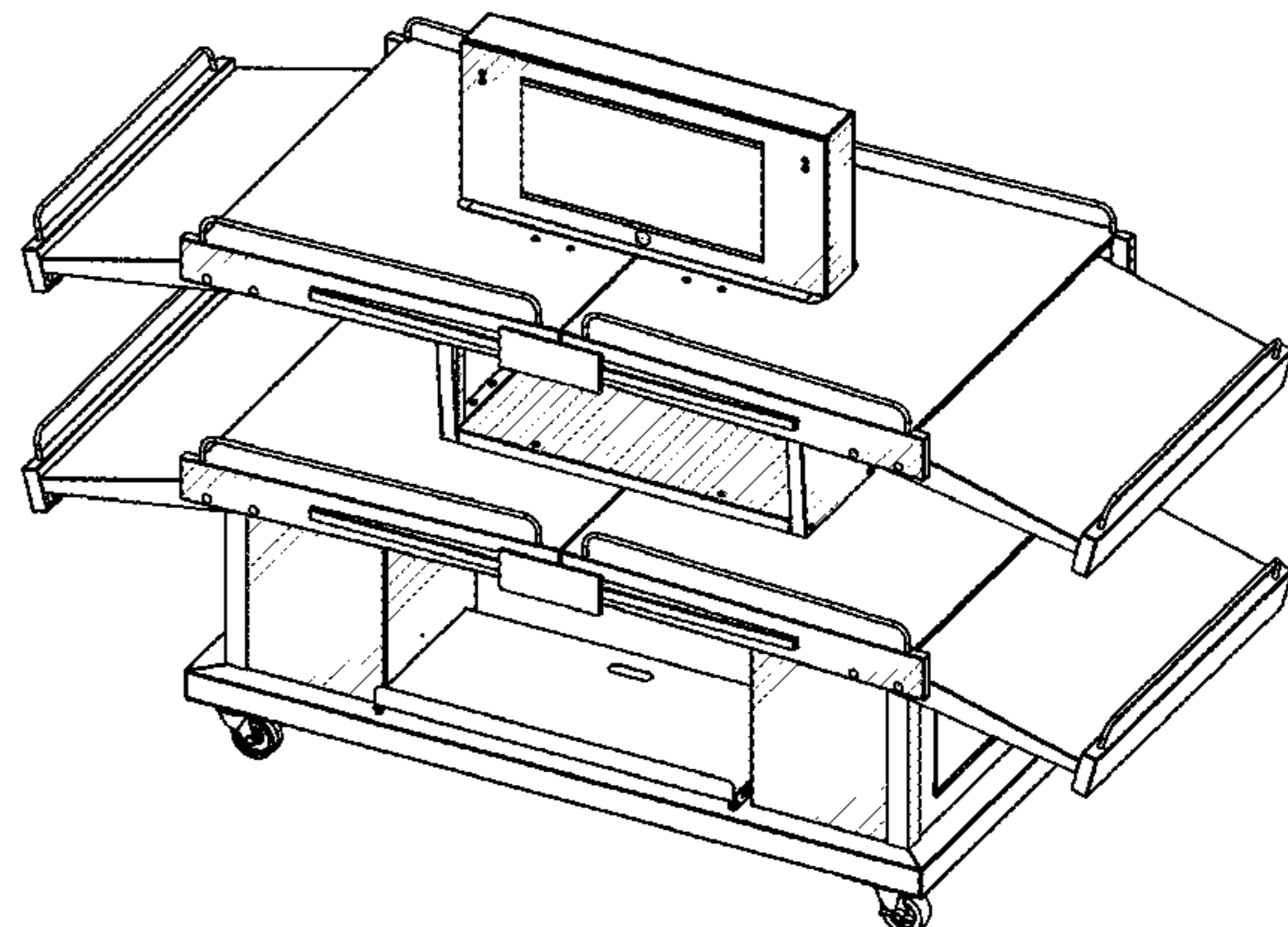
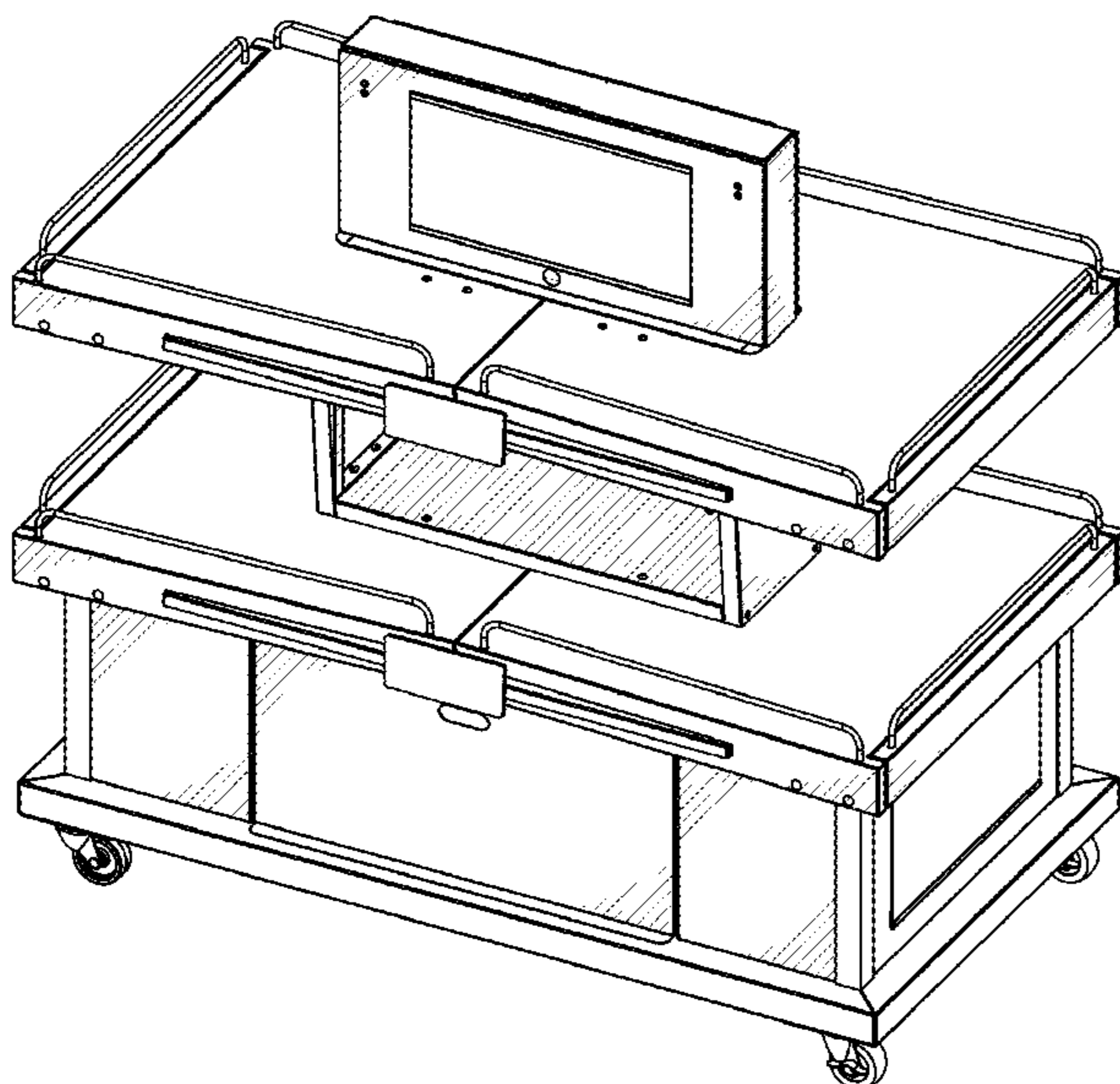
FIG. 5 is an end view of the merchandising display table of FIGS. 1-4, again with pull out trays in the retracted position. FIG. 6 is a front view of the merchandising display table of FIGS. 1-5, again with the pull out trays in the retracted position.

FIG. 7 is a three dimensional view of the merchandising display table of FIGS. 1-6, but here showing upper and lower pull out tray trays on the two opposite ends in an extended and slanted position to provide additional display space, instead of in the retracted position shown in FIGS. 1-6 in which the pull out trays are retracted beneath upper and lower shelves; and,

FIG. 8 is a view from above of the merchandising display table with the pull out trays in the extended and slanted position shown in FIG. 7. The pull out trays are rectangular while the shelves have a bow tie or dual trapezoidal shape as also shown in FIG. 4.

The broken lines represent environment only and form no part of the claimed design.

1 Claim, 8 Drawing Sheets



(58) **Field of Classification Search**

USPC D6/678.1, 678.2; 312/118, 138.1;
108/92; 211/135; 248/176.3; D34/19,
D34/20

CPC A47B 47/0075; A47B 47/00091; A47B
45/00; A47B 65/00; A47B 65/10; A47B
67/00; A47B 81/06; A47B 96/04

See application file for complete search history.

(56) **References Cited**

U.S. PATENT DOCUMENTS

D509,939 S * 9/2005 Hay D34/20
D515,849 S * 2/2006 Niu D6/661
D524,506 S * 7/2006 Hay D34/20
D547,920 S * 7/2007 Kinsley B62B 3/10
D34/19
D587,497 S * 3/2009 Zambelli D6/675.1
D589,280 S * 3/2009 Zambelli D6/675.1
D592,428 S * 5/2009 Zambelli D6/675.1
D598,623 S * 8/2009 Zang Wentz Pho D34/20
D612,634 S * 3/2010 Zambelli D6/675.1
D648,573 S * 11/2011 Sculler D6/678.1
D653,010 S * 1/2012 Shen D34/19
D668,475 S * 10/2012 Zambelli D6/661
D669,704 S * 10/2012 Zambelli D6/657
D669,706 S * 10/2012 Zambelli D6/662.1
D669,707 S * 10/2012 Zambelli D6/662.1

* cited by examiner

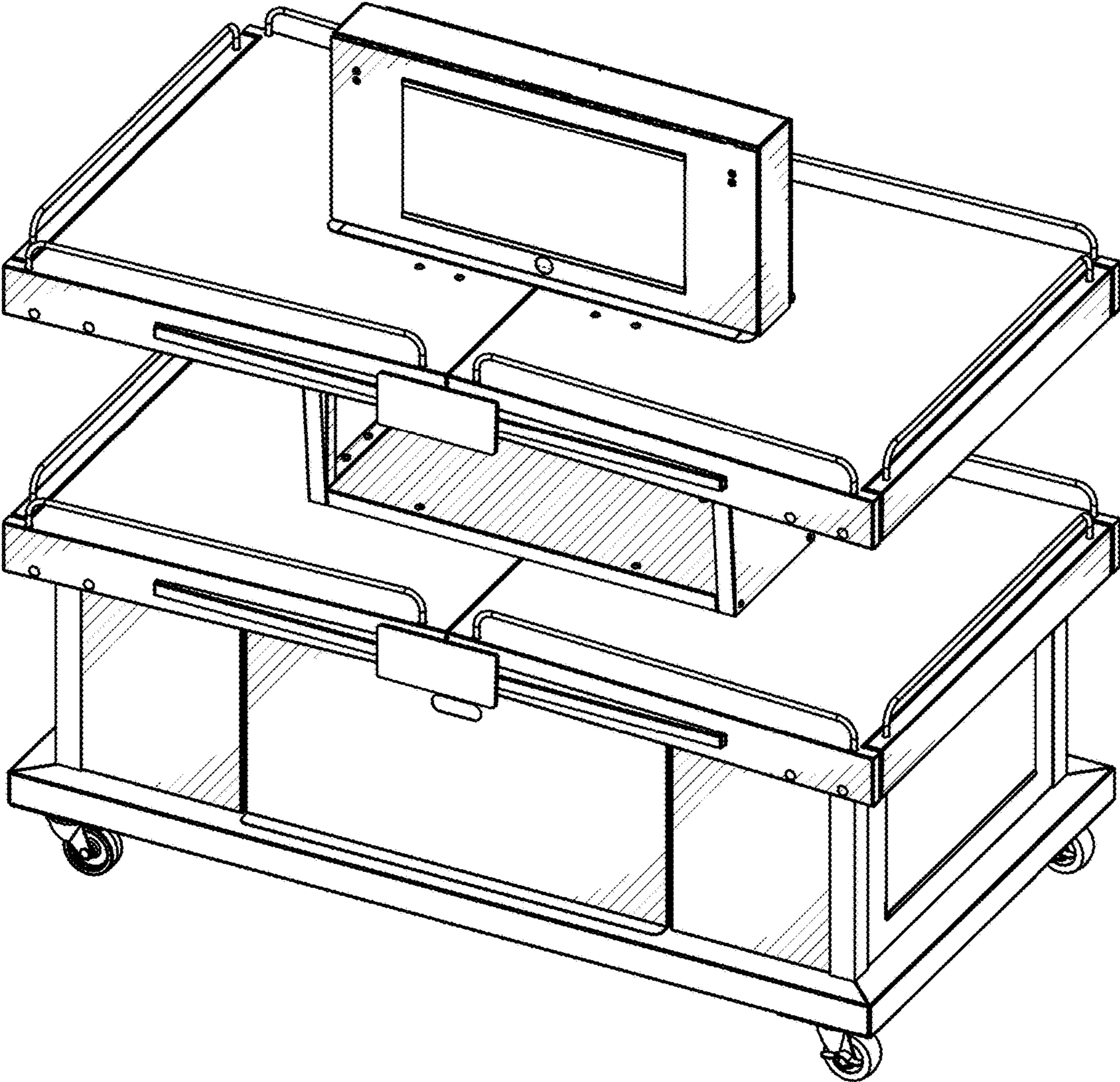


FIG 1

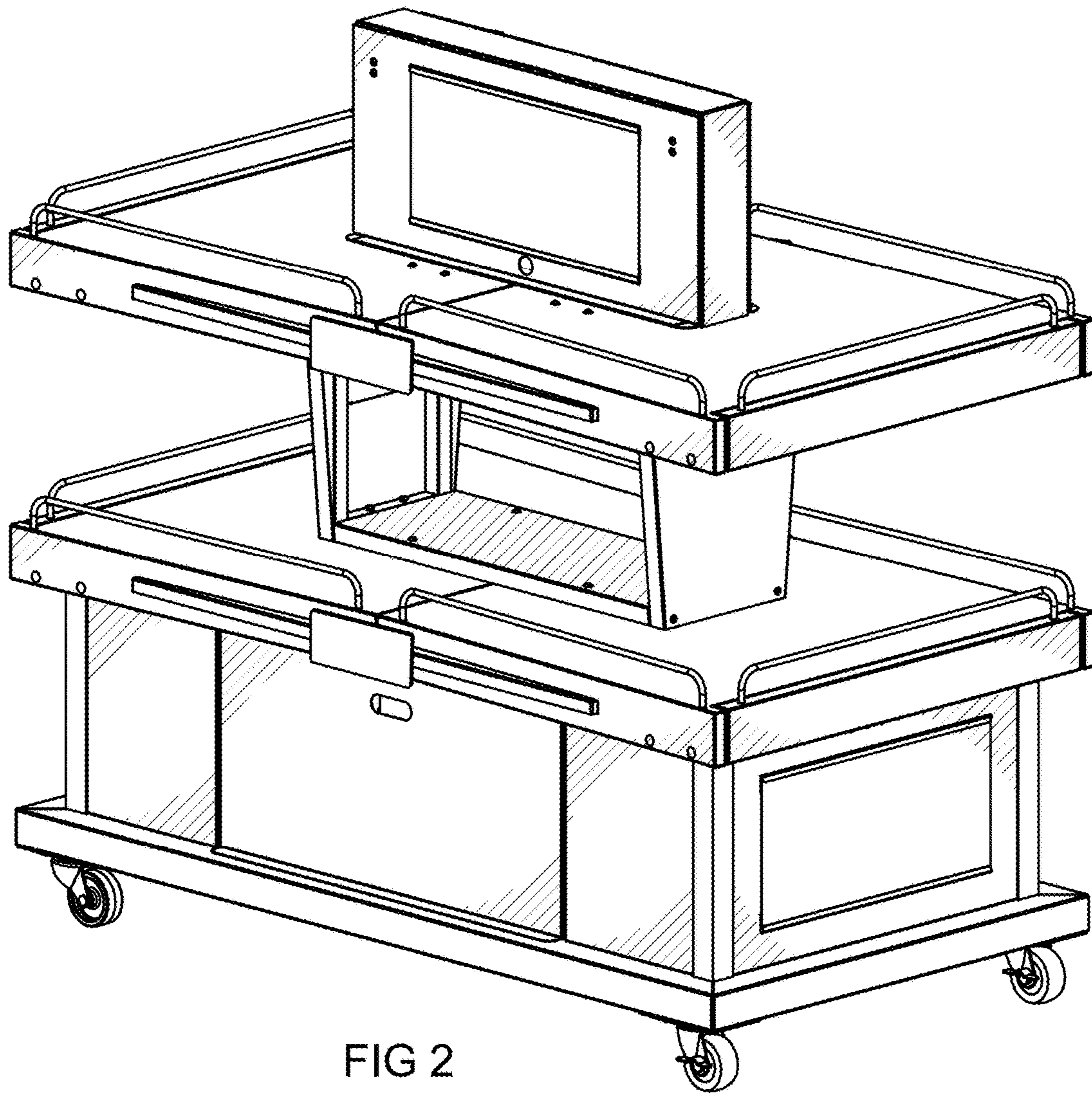


FIG 2

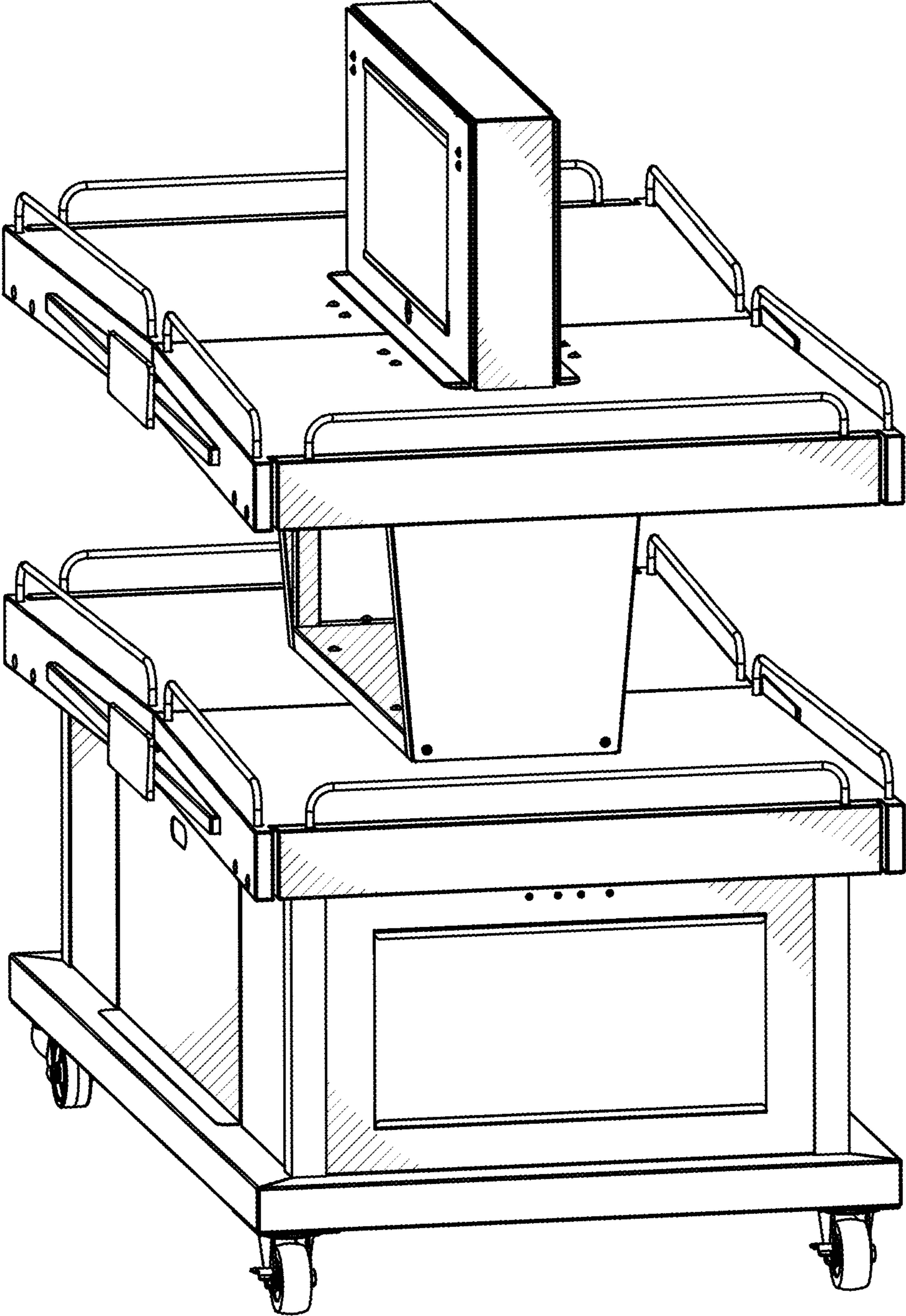


FIG 3

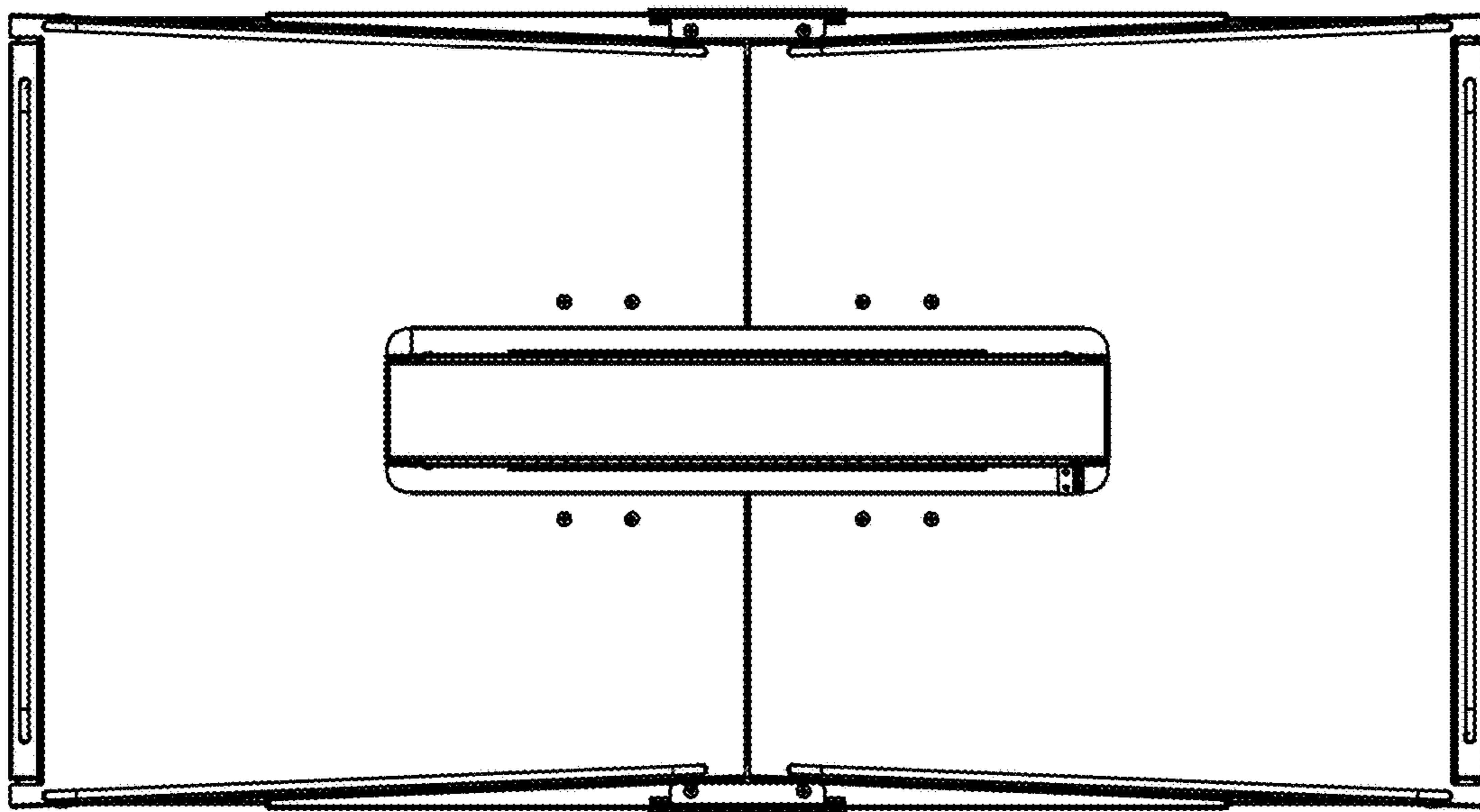


FIG 4

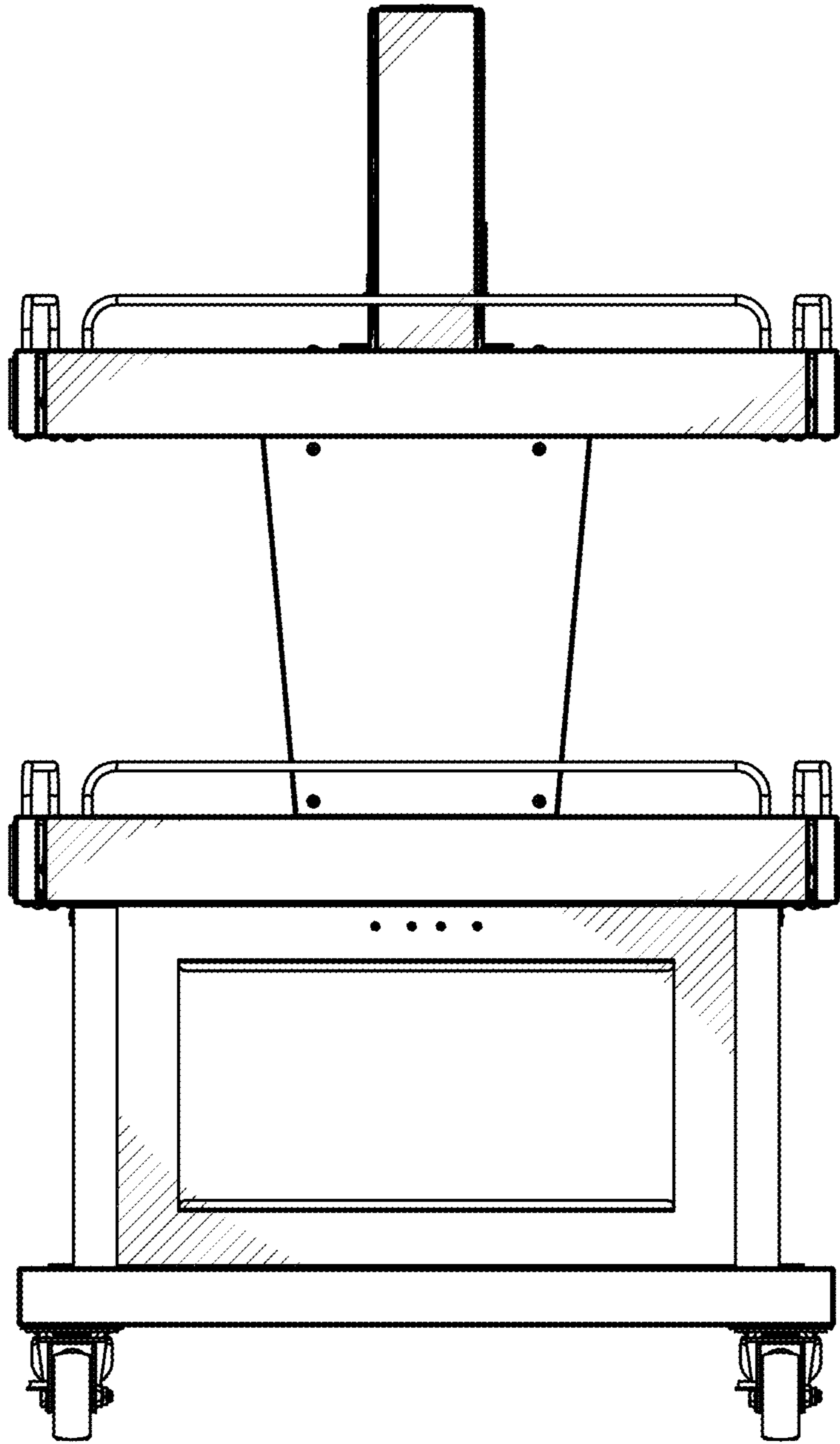


FIG 5

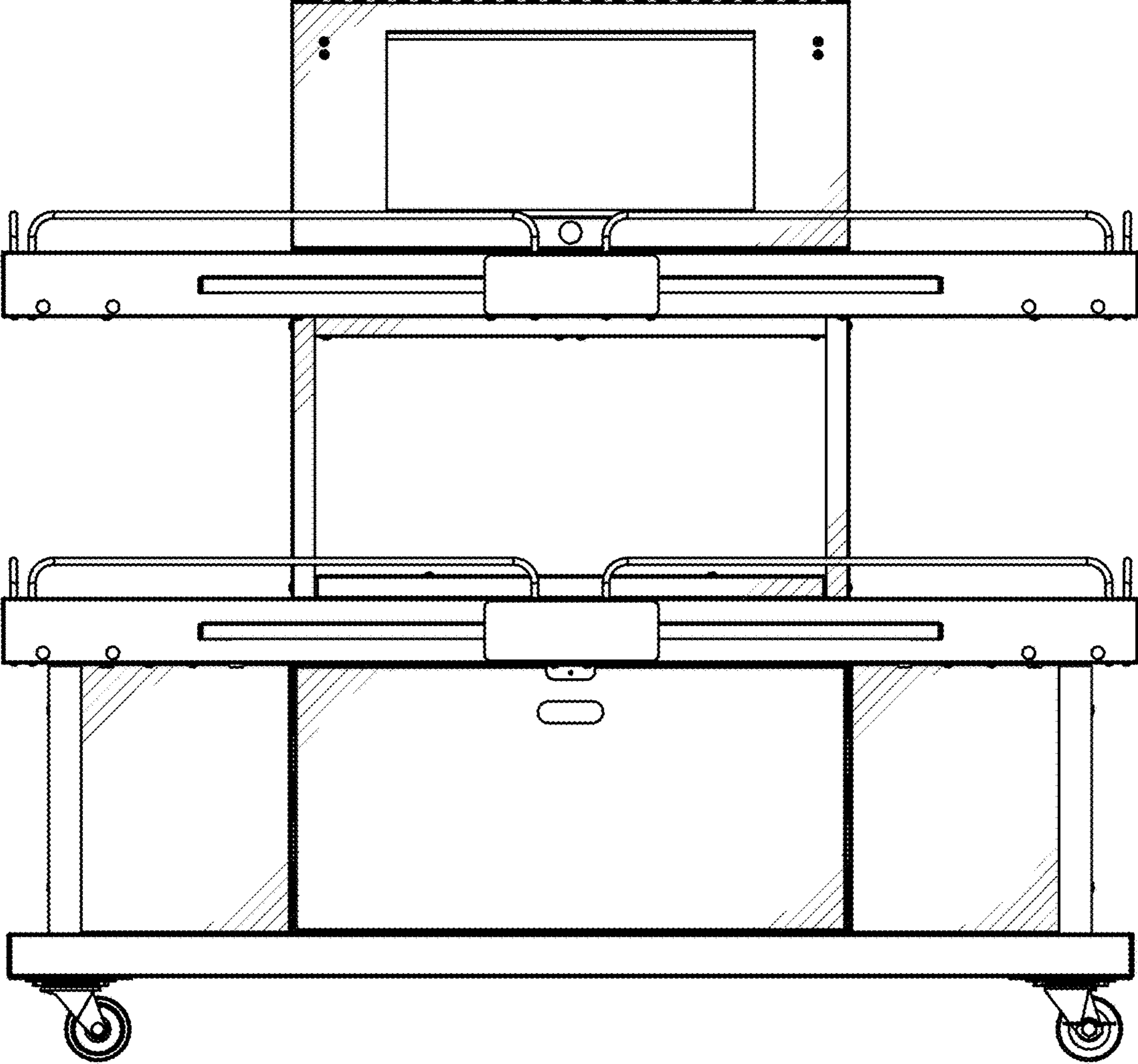


FIG 6

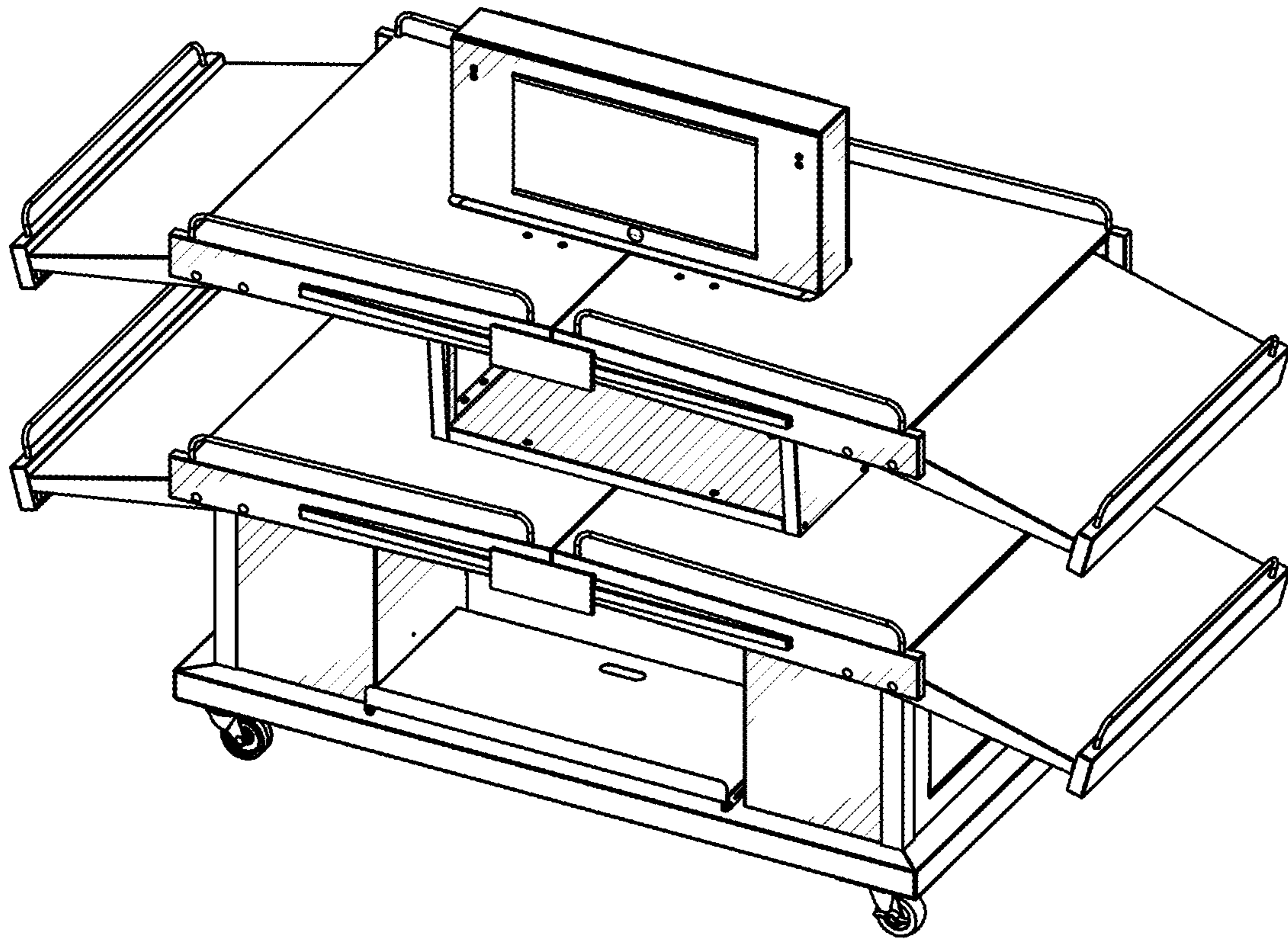


FIG 7

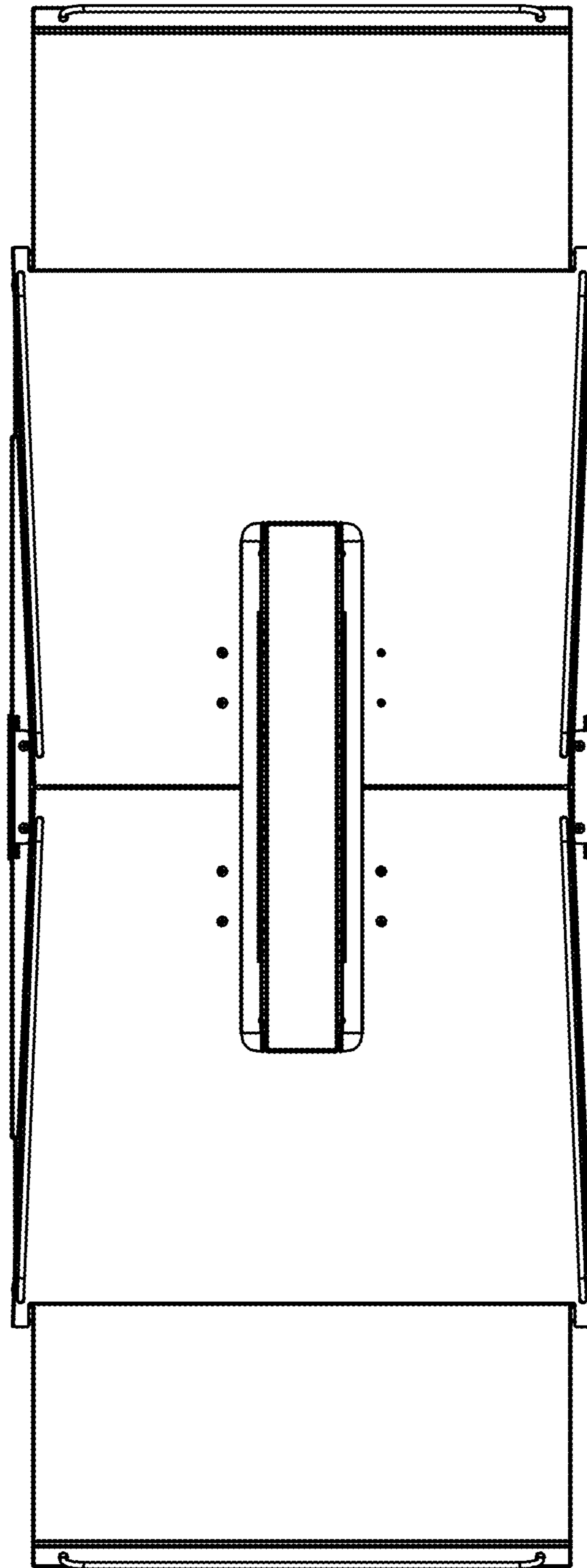


FIG 8