

US00D790260S

(12) **United States Design Patent** (10) **Patent No.:** **US D790,260 S**  
**Tio et al.** (45) **Date of Patent:** **\*\* Jun. 27, 2017**

(54) **DISPLAY STRUCTURE**

(56) **References Cited**

(71) Applicant: **Apple Inc.**, Cupertino, CA (US)

(72) Inventors: **Federico F. Tio**, Santa Cruz, CA (US);  
**Frank Craig Thaler**, Santa Cruz, CA (US);  
**Wesley Bryan Hamm**, San Francisco, CA (US);  
**Kevin Fenton Smeds**, San Francisco, CA (US);  
**Russell John Kaaihue Heirakuji**, Cupertino, CA (US)

U.S. PATENT DOCUMENTS

3,721,413 A	3/1973	Robinson
D291,512 S	8/1987	Everett
D317,681 S	6/1991	Stewart et al.
D321,100 S	10/1991	Dorrell
D351,863 S	10/1994	Sarkisian et al.
D354,638 S	1/1995	Todd et al.
D377,012 S	12/1996	Oslund

(Continued)

(73) Assignee: **Apple Inc.**, Cupertino, CA (US)

*Primary Examiner* — Kelley Donnelly

(\*\*) Term: **15 Years**

(74) *Attorney, Agent, or Firm* — Sterne, Kessler, Goldstein & Fox P.L.L.C.

(21) Appl. No.: **29/547,867**

(57) **CLAIM**

(22) Filed: **Dec. 8, 2015**

The ornamental design for a display structure, as shown and described.

**DESCRIPTION**

**Related U.S. Application Data**

(63) Continuation of application No. 29/534,157, filed on Jul. 27, 2015, now Pat. No. Des. 769,651, which is a continuation of application No. 29/499,677, filed on Aug. 18, 2014, now Pat. No. Des. 734,965, which is a continuation of application No. 29/432,724, filed on Sep. 19, 2012, now Pat. No. Des. 713,658.

(51) **LOC (10) Cl.** ..... **06-06**

(52) **U.S. Cl.**  
USPC ..... **D6/675**

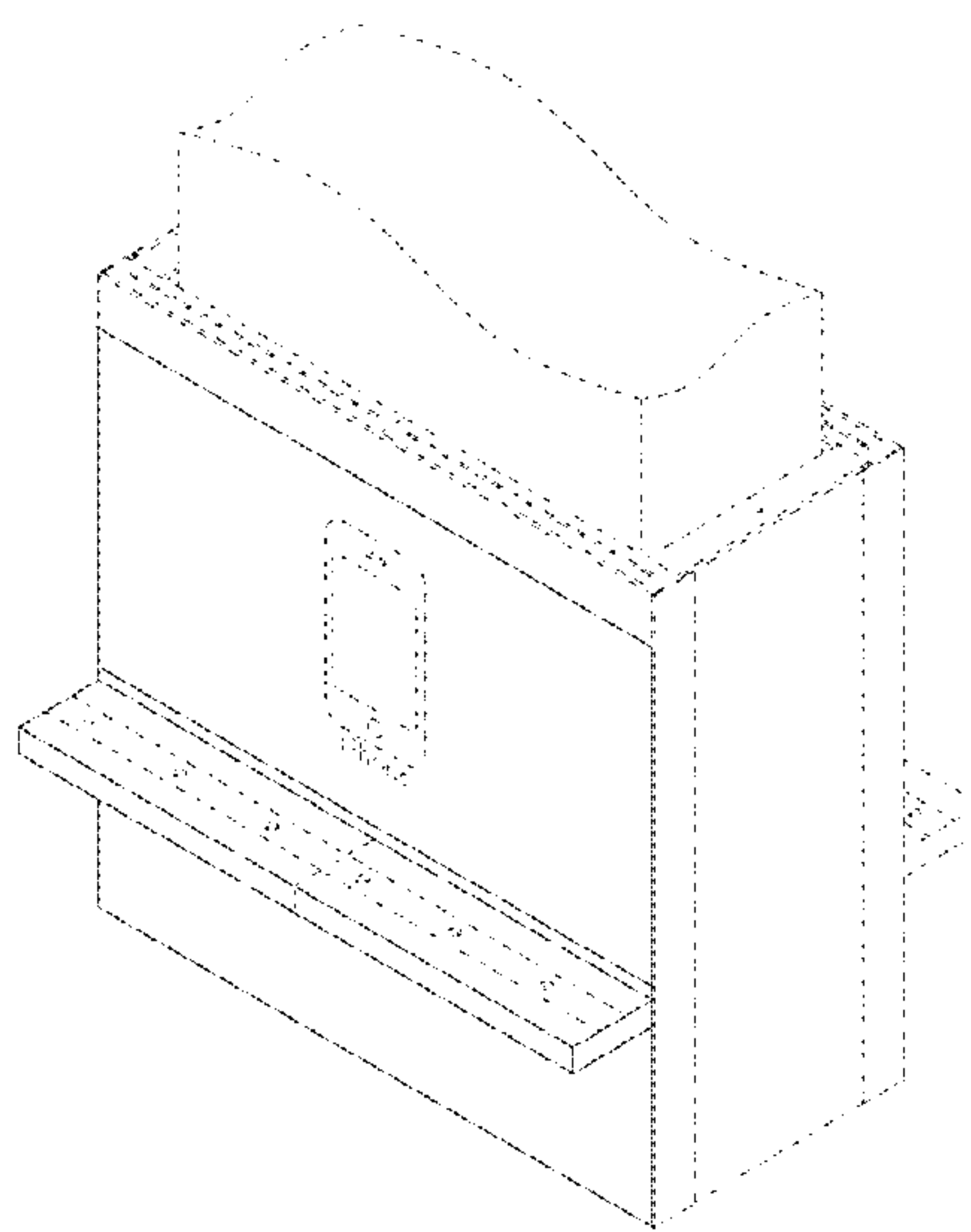
(58) **Field of Classification Search**  
USPC ..... D6/468, 470, 473–479, 396–397,  
D6/432–436, 449–451, 672–673,  
D6/675–675.1, 512, 513; 211/42, 44–45,  
211/48, 50, 90.01, 133.1; 312/7.2, 9.1,  
312/107–109, 117–119, 278–279;  
108/59, 108, 161  
CPC .... A47F 5/0018; A47F 5/0043; A47F 5/0081;  
A47F 2005/0075; A47F 5/16

See application file for complete search history.

FIG. 1 is a top front perspective view of a display structure showing a first embodiment of the claimed design;  
FIG. 2 is a front view thereof;  
FIG. 3 is a rear view thereof;  
FIG. 4 is a left side view thereof;  
FIG. 5 is a right side view thereof;  
FIG. 6 is a top view thereof;  
FIG. 7 is a bottom view thereof;  
FIG. 8 is a top front perspective view of a display structure showing a second embodiment of the claimed design;  
FIG. 9 is a front view thereof;  
FIG. 10 is a rear view thereof;  
FIG. 11 is a left side view thereof;  
FIG. 12 is a right side view thereof;  
FIG. 13 is a top view thereof; and,  
FIG. 14 is a bottom view thereof.

The broken lines in the figures show portions of the display structure that form no part of the claimed design.

**1 Claim, 12 Drawing Sheets**



(56)

References Cited

U.S. PATENT DOCUMENTS

5,607,070 A 3/1997 Hellyer  
 D379,377 S 5/1997 Rath  
 D392,686 S 3/1998 Sarkisian et al.  
 D395,677 S 6/1998 Gongora et al.  
 D397,562 S 9/1998 DePottey et al.  
 D398,653 S 9/1998 Hiraguchi et al.  
 5,890,607 A 4/1999 Maglione  
 D434,929 S 12/2000 Heiny et al.  
 D438,256 S 2/2001 Timmermans et al.  
 D443,308 S 6/2001 Kovell  
 D468,134 S 1/2003 Oikawa  
 D478,582 S 8/2003 Becker et al.  
 D509,543 S 9/2005 Hillstrom et al.  
 7,228,654 B2\* 6/2007 Stravitz ..... G09F 1/14  
 40/732  
 D559,577 S 1/2008 Quinn  
 D584,075 S 1/2009 Hung  
 D585,943 S 2/2009 Pymm et al.  
 D590,630 S 4/2009 Singler et al.  
 D591,531 S 5/2009 Sparkowski  
 D591,974 S 5/2009 Singler et al.  
 D592,422 S 5/2009 Rheault  
 D610,832 S 3/2010 Rheault  
 D613,344 S 4/2010 Hradisky  
 D632,903 S 2/2011 Paul  
 D636,441 S 4/2011 Potts  
 D639,086 S 6/2011 Curbbun et al.  
 D649,192 S 11/2011 Beukema et al.  
 D657,978 S 4/2012 Hamm et al.

D658,615 S 5/2012 Chiu  
 D660,361 S 5/2012 Carver, Jr.  
 D661,123 S 6/2012 Curbbun et al.  
 D661,124 S \* 6/2012 Curbbun ..... D20/10  
 8,228,668 B2 7/2012 Asamarai et al.  
 D671,535 S 11/2012 Terashima et al.  
 D678,696 S 3/2013 Hamm et al.  
 D679,521 S 4/2013 Hamm et al.  
 D688,494 S 8/2013 Hamm et al.  
 D693,156 S 11/2013 Hamm et al.  
 D700,901 S \* 3/2014 Giglio ..... D14/129  
 D713,658 S \* 9/2014 Tio ..... D6/675  
 D717,573 S 11/2014 Fishman et al.  
 D722,313 S 2/2015 Birgeoglu  
 D722,794 S 2/2015 Luong  
 D723,025 S 2/2015 Birgeoglu  
 D723,026 S 2/2015 Birgeoglu  
 D725,108 S 3/2015 Yeon  
 D727,995 S 4/2015 Vilcovsky  
 D728,281 S 5/2015 Heirakuji et al.  
 D730,852 S \* 6/2015 Park ..... D14/126  
 D734,965 S \* 7/2015 Tio ..... D6/675  
 D737,604 S \* 9/2015 Bridger ..... D6/675  
 D742,455 S 11/2015 Denby et al.  
 D742,870 S 11/2015 Berini  
 D750,970 S 3/2016 Moreno  
 D753,754 S 4/2016 Vilcovsky et al.  
 D763,605 S \* 8/2016 Bridger ..... D6/675  
 D770,203 S \* 11/2016 Thaler ..... D6/673  
 2005/0279033 A1 12/2005 Faber et al.  
 2014/0306584 A1 10/2014 DeMars

\* cited by examiner

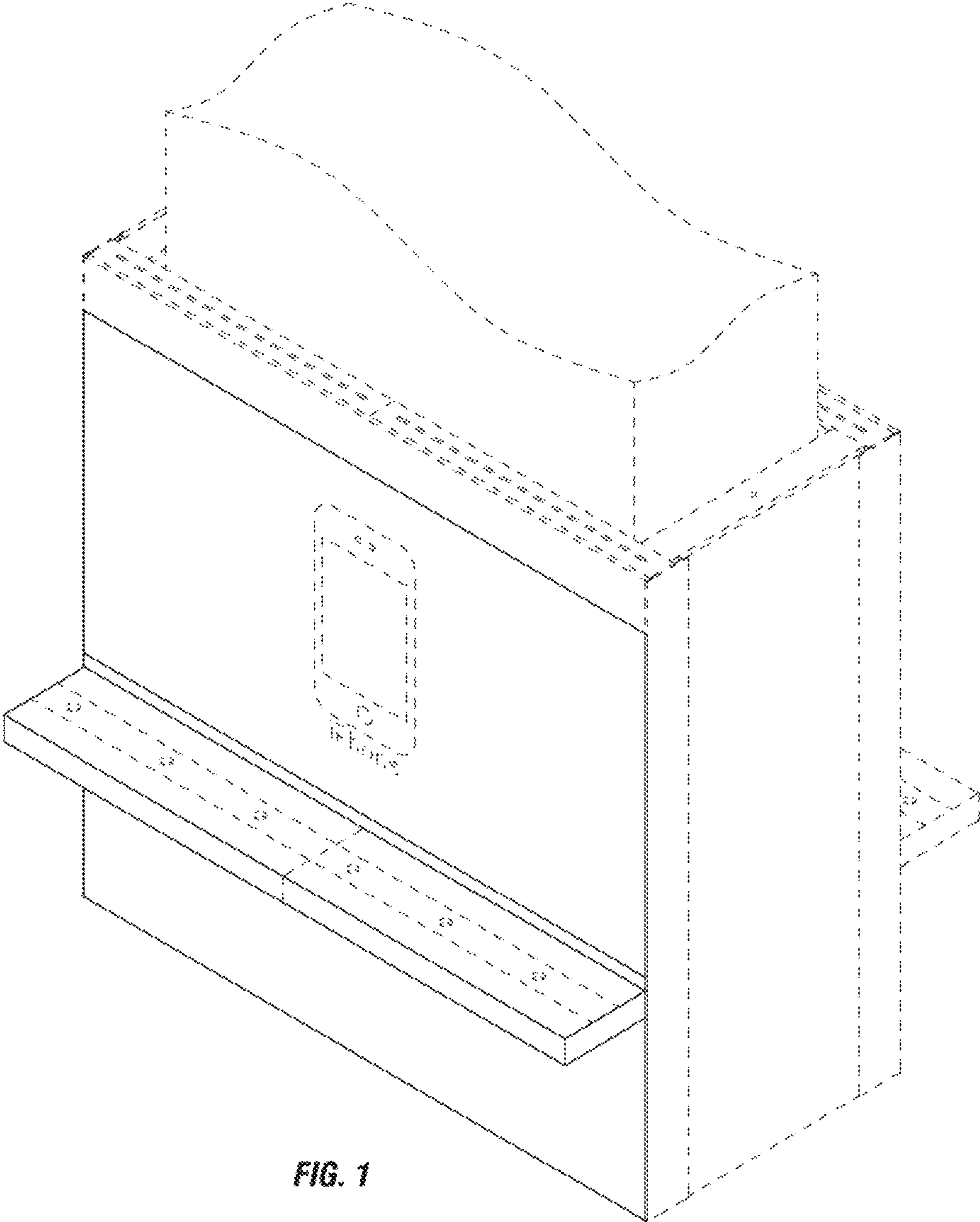


FIG. 1

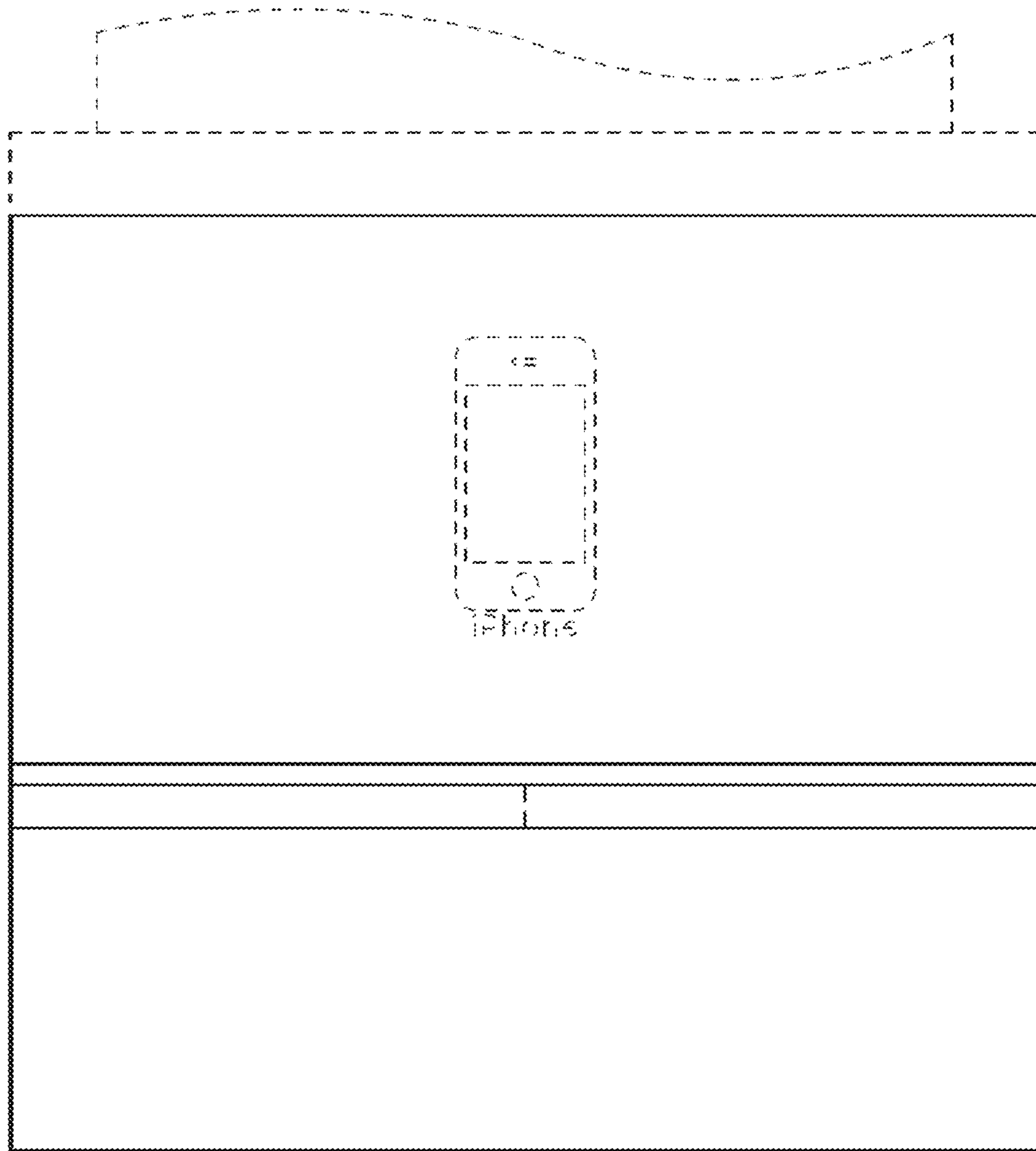


FIG. 2

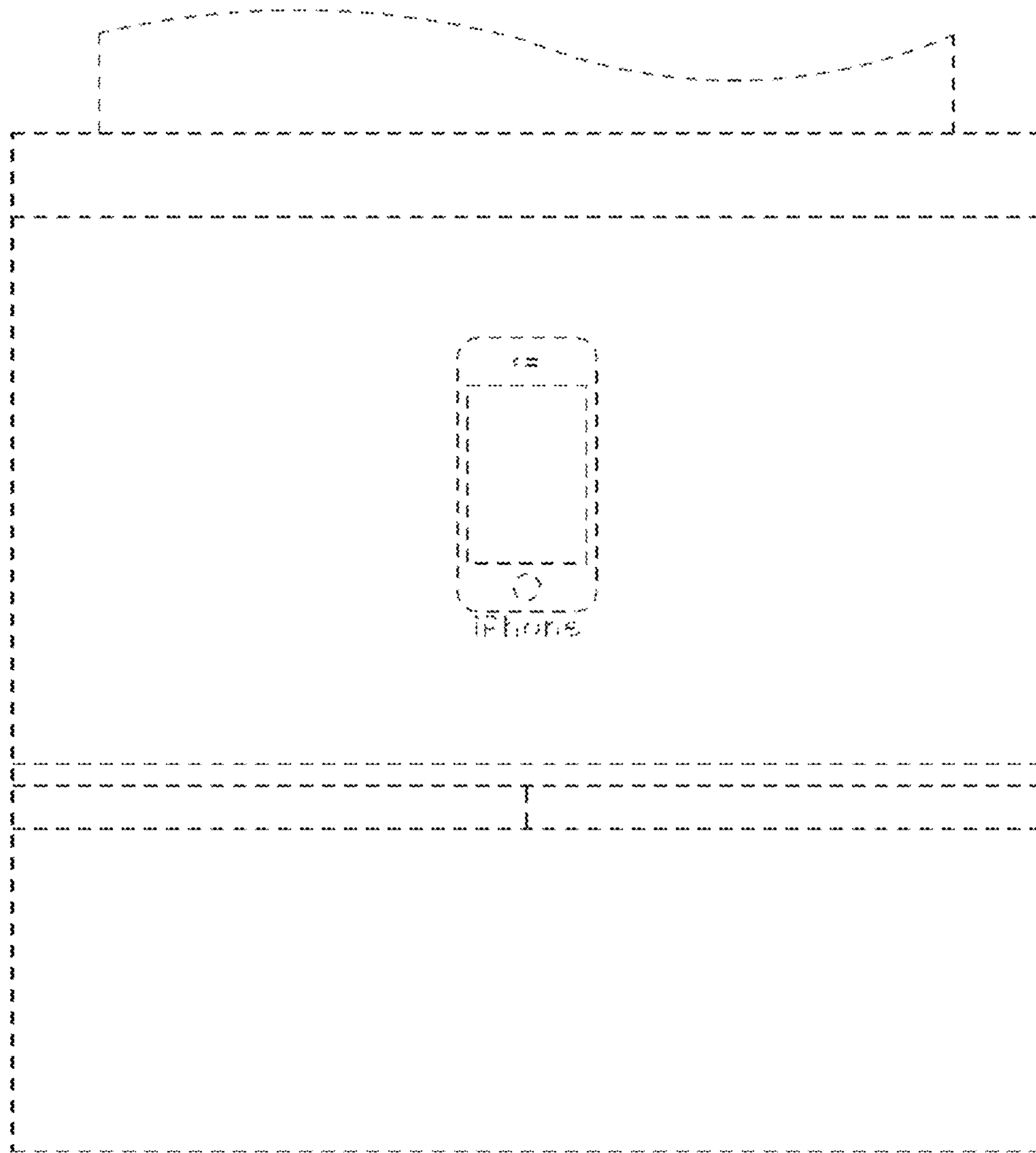
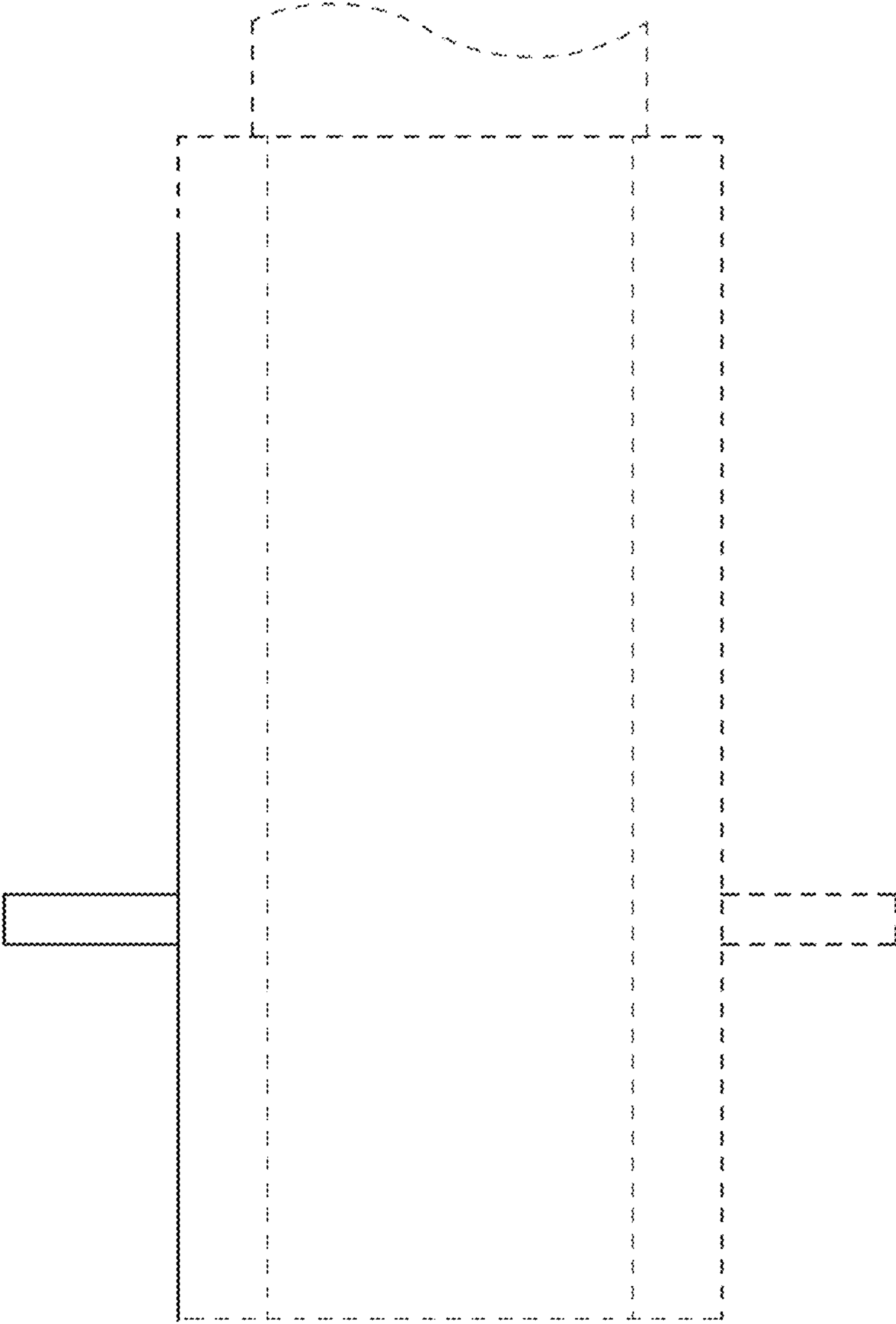


FIG. 3



**FIG. 4**



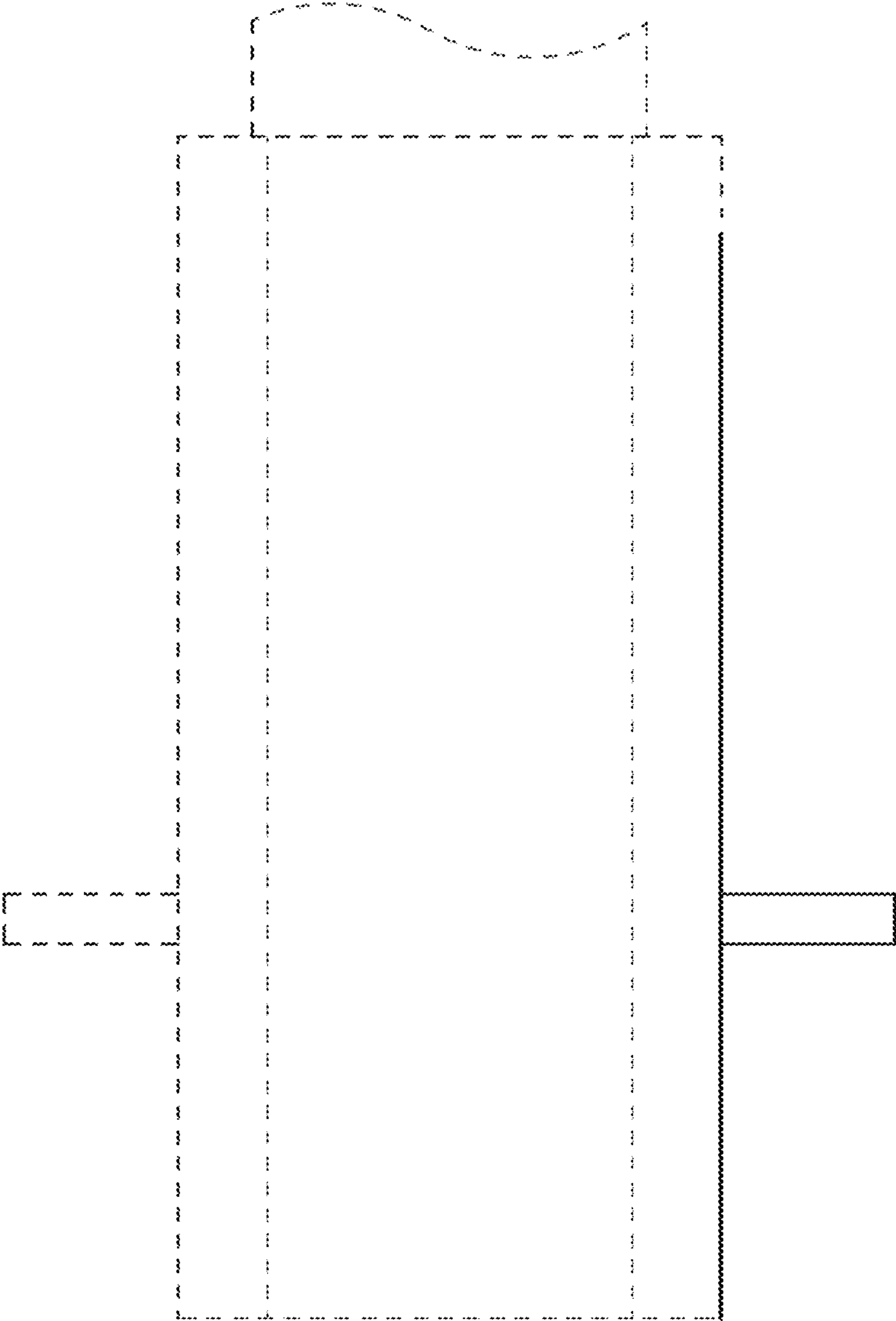


FIG. 5

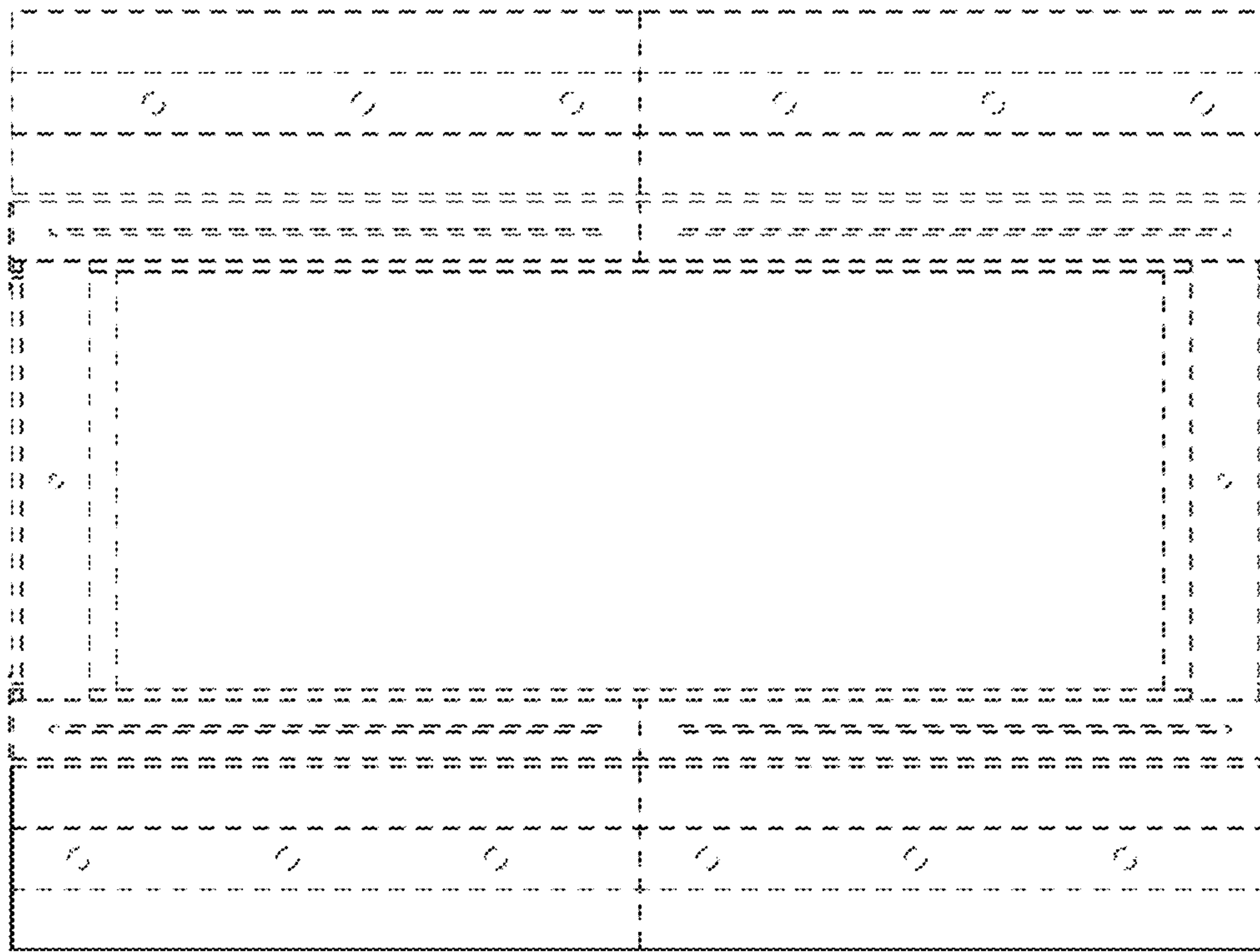
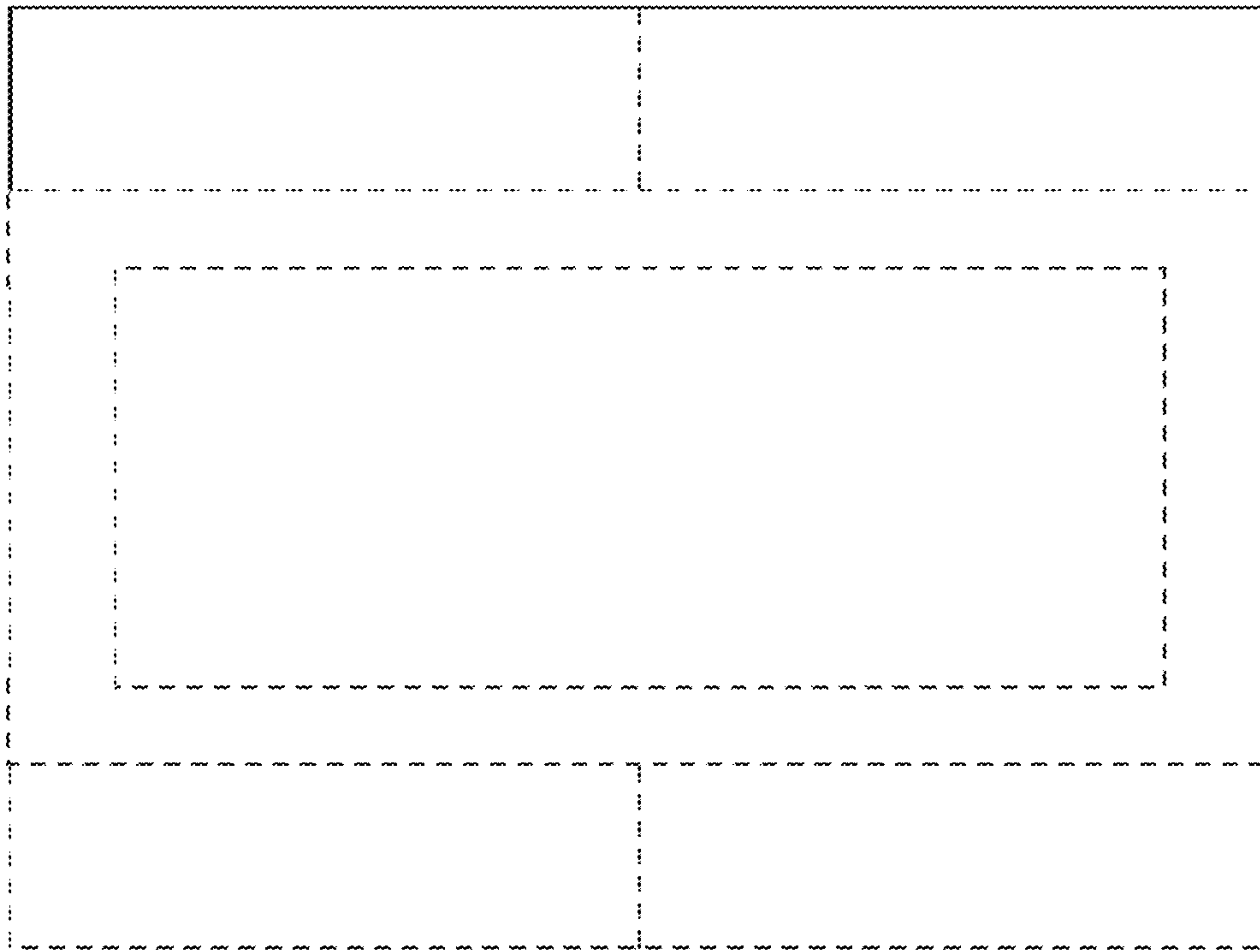


FIG. 6





**FIG. 7**

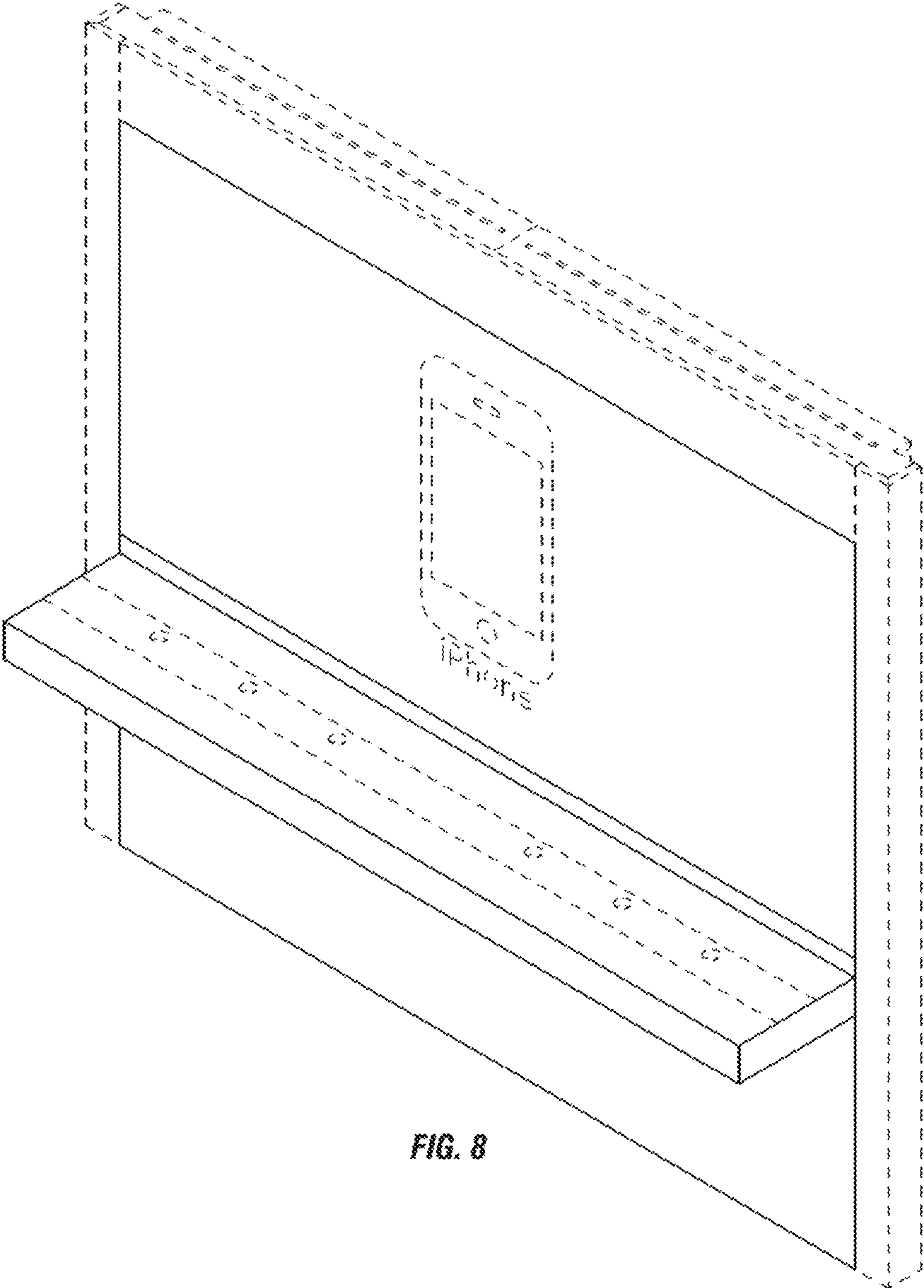


FIG. 8

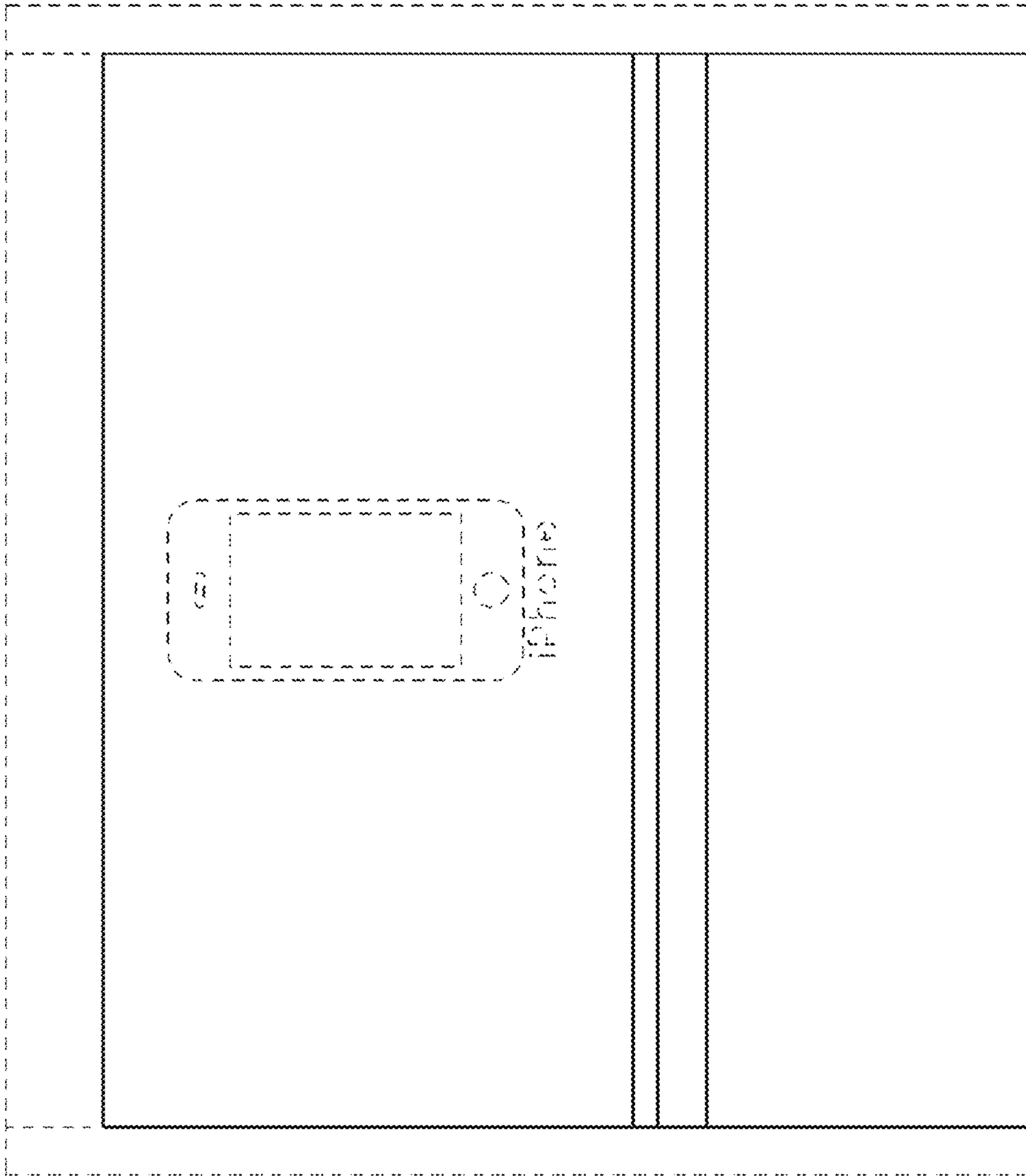


FIG. 9



FIG. 10

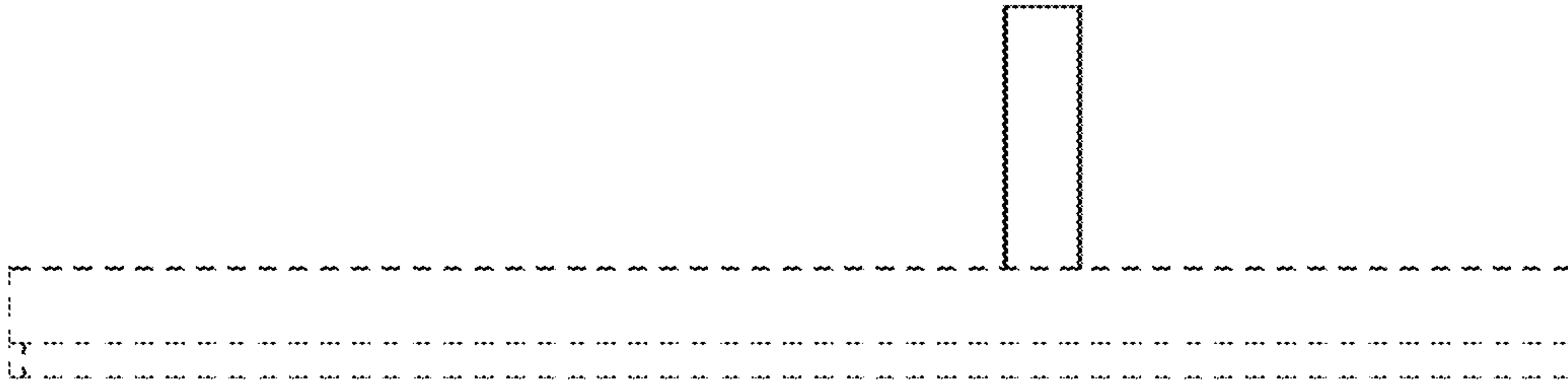


FIG. 12

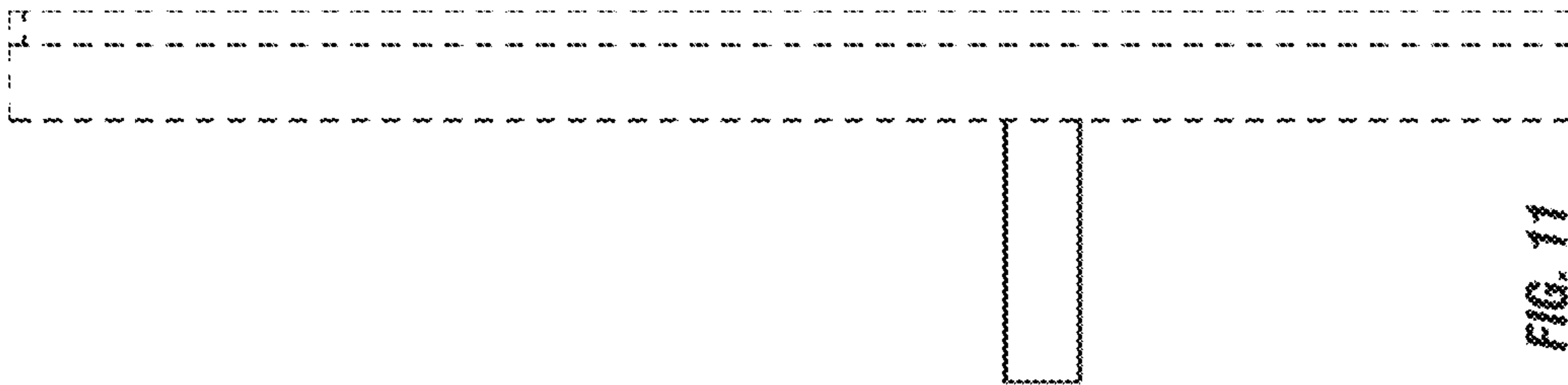


FIG. 11

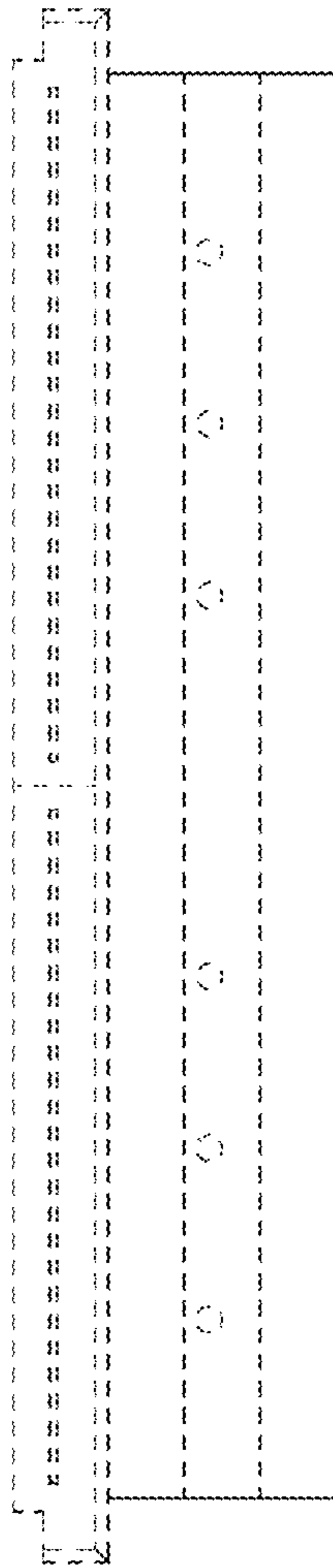


FIG. 13

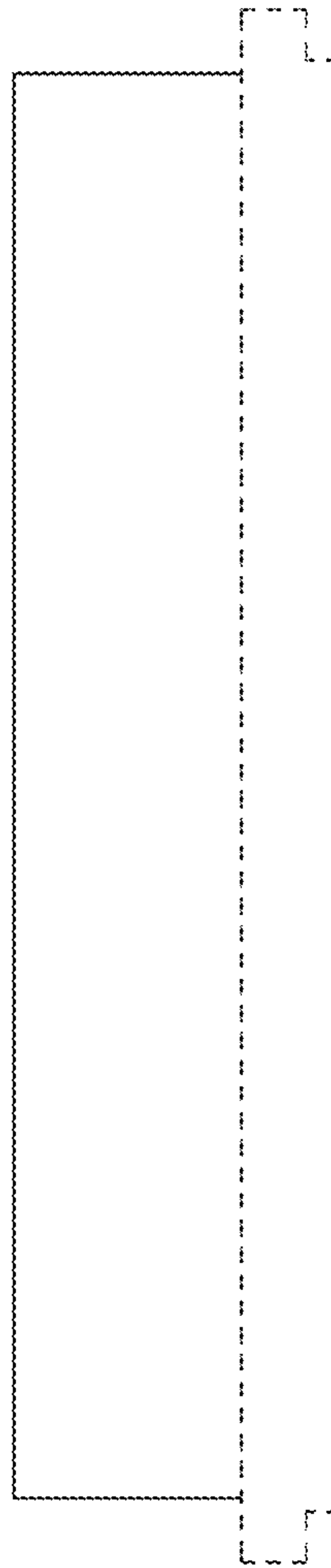


FIG. 14