



US00D790259S

(12) **United States Design Patent**  
**Rodriguez**

(10) **Patent No.:** **US D790,259 S**

(45) **Date of Patent:** **\*\* \*Jun. 27, 2017**

(54) **FOUR STAR TROPHY DISPLAY CASE**

(71) Applicant: **Leroy Rodriguez**, Centennial, CO (US)

(72) Inventor: **Leroy Rodriguez**, Centennial, CO (US)

(\*) Notice: This patent is subject to a terminal disclaimer.

(\*\*) Term: **14 Years**

(21) Appl. No.: **29/488,134**

(22) Filed: **Apr. 16, 2014**

(51) **LOC (10) Cl.** ..... **06-04**

(52) **U.S. Cl.**  
USPC ..... **D6/661**

(58) **Field of Classification Search**  
USPC ..... D6/300, 314, 559, 657, 660, 661;  
D11/108, 101, 131, 132, 133, 165;  
40/724, 725, 732, 700, 800; 206/783  
CPC ..... A47G 1/12; A47G 1/06; A47G 1/0616;  
A47F 3/00; A47F 3/005  
See application file for complete search history.

(56) **References Cited**

**U.S. PATENT DOCUMENTS**

D51,019 S *	7/1917	Melio .....	D11/108
D53,130 S *	3/1919	Krueger .....	D11/108
D53,616 S *	7/1919	Smith .....	D11/108
D55,799 S *	7/1920	Klapp .....	D11/108
D56,383 S *	10/1920	Rosengarten .....	D11/108
D60,815 S *	4/1922	Riehemann .....	D11/108
D136,857 S *	12/1943	Reinhold et al. ....	D11/108
D157,333 S *	2/1950	Bonner et al. ....	D11/108
2,980,309 A *	4/1961	Papas .....	A47G 1/12 206/783
D234,728 S *	4/1975	Annis .....	D11/108
D244,368 S *	5/1977	Dean .....	D11/132
D307,401 S *	4/1990	Sunstrum .....	D11/108
D365,295 S *	12/1995	Kandampully .....	D11/165
D370,568 S *	6/1996	Wynne .....	D6/314

D383,999 S *	9/1997	Werley .....	D11/132
D431,909 S *	10/2000	Henry .....	D11/132
6,793,297 B2 *	9/2004	Johnson .....	A47G 1/12 312/114
D513,562 S *	1/2006	Boffo .....	D6/300
D548,644 S *	8/2007	Hollibaugh .....	D11/165
D669,391 S *	10/2012	Cadigan .....	D11/133
8,595,968 B2 *	12/2013	Byfield .....	A47G 1/0616 40/732
8,733,004 B2 *	5/2014	Andrulewich .....	A47G 1/0605 40/724
8,881,441 B2 *	11/2014	Thornton .....	A47G 1/12 40/724
D733,467 S *	7/2015	Rodriguez .....	D6/661

\* cited by examiner

*Primary Examiner* — Mimoso De

(74) *Attorney, Agent, or Firm* — Patent Law Offices of R. Martin P.C.

(57) **CLAIM**

The ornamental design for a four star trophy display case, as shown and described.

**DESCRIPTION**

FIG. 1 is a top perspective view of my new design for a four star trophy display case;

FIG. 2 is a bottom perspective view of my new invention; FIG. 3 is a left side elevation view of my new invention, wherein a right side elevation view is identical;

FIG. 4 is a front and back elevation view of my new invention;

FIG. 5 is a top plan view of my new invention; FIG. 6 is a bottom plan view of my new invention; and, FIG. 7 is a top perspective view of my new invention in an open mode.

The broken lines indicating trophies are for purposes of illustrating a use and form no part of the claimed design. The drawings are lined for color in FIGS. 1, 5, 7, wherein vertical lines stand for red and horizontal lines stand for blue.

**1 Claim, 3 Drawing Sheets**

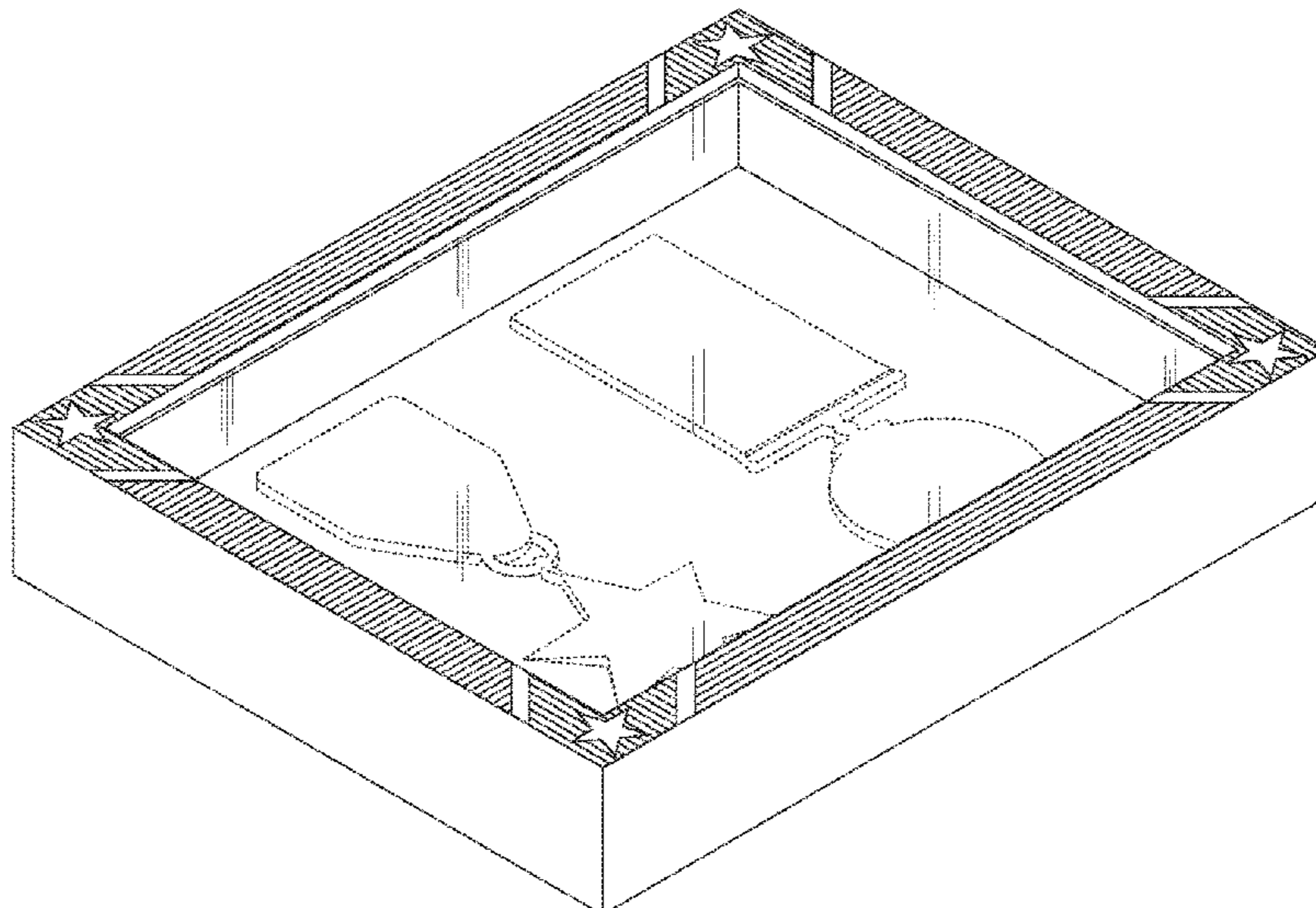


Fig. 1

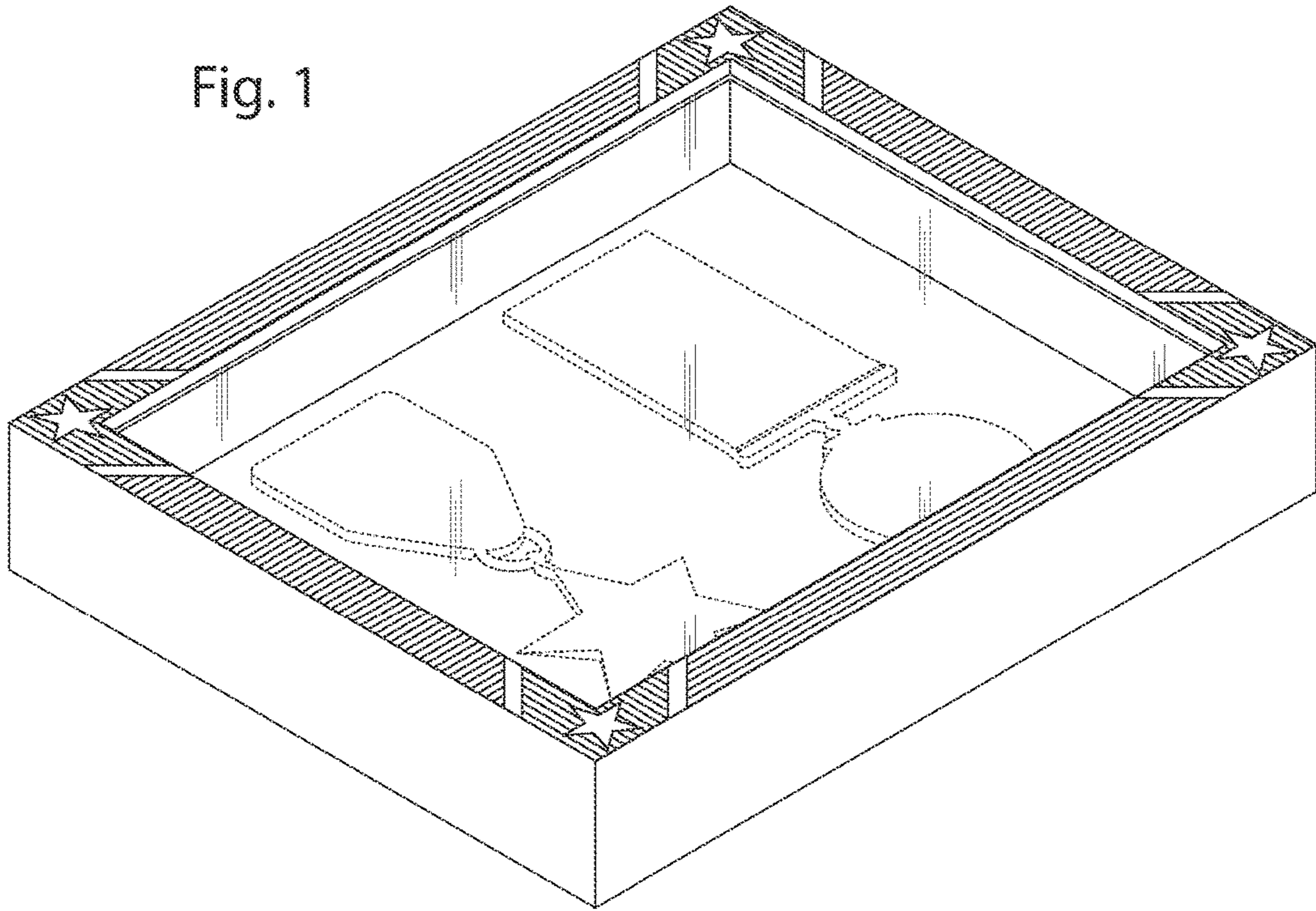


Fig. 2

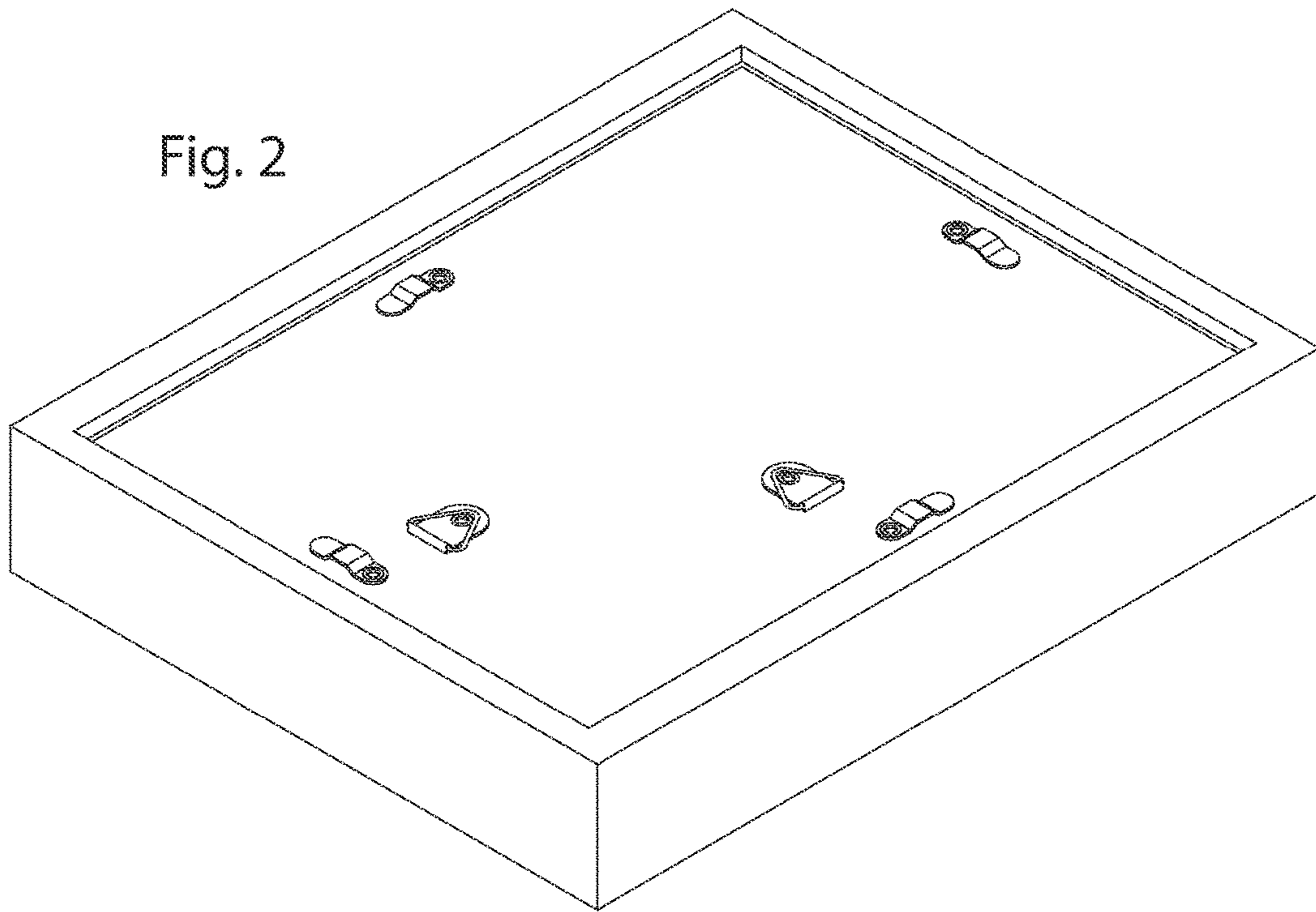


Fig. 3

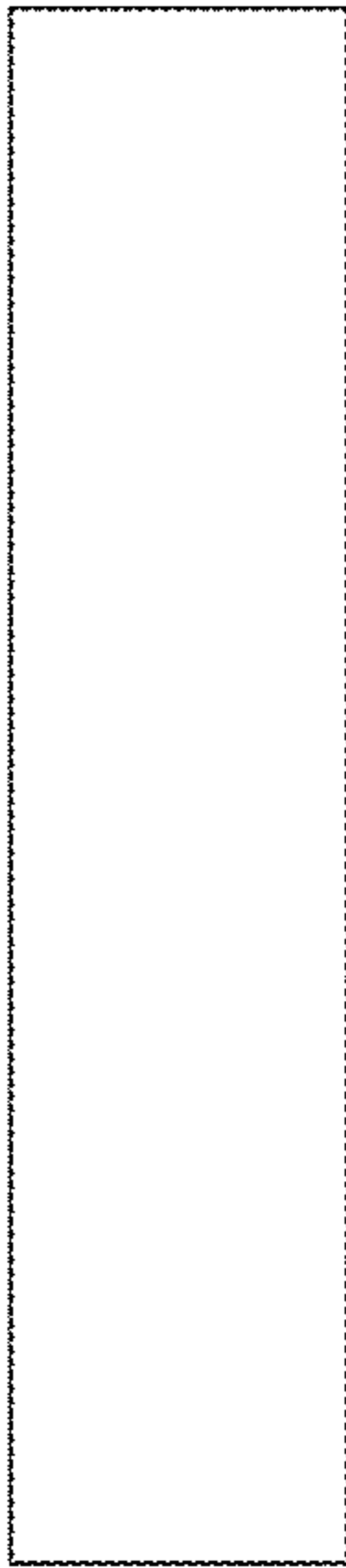


Fig. 5

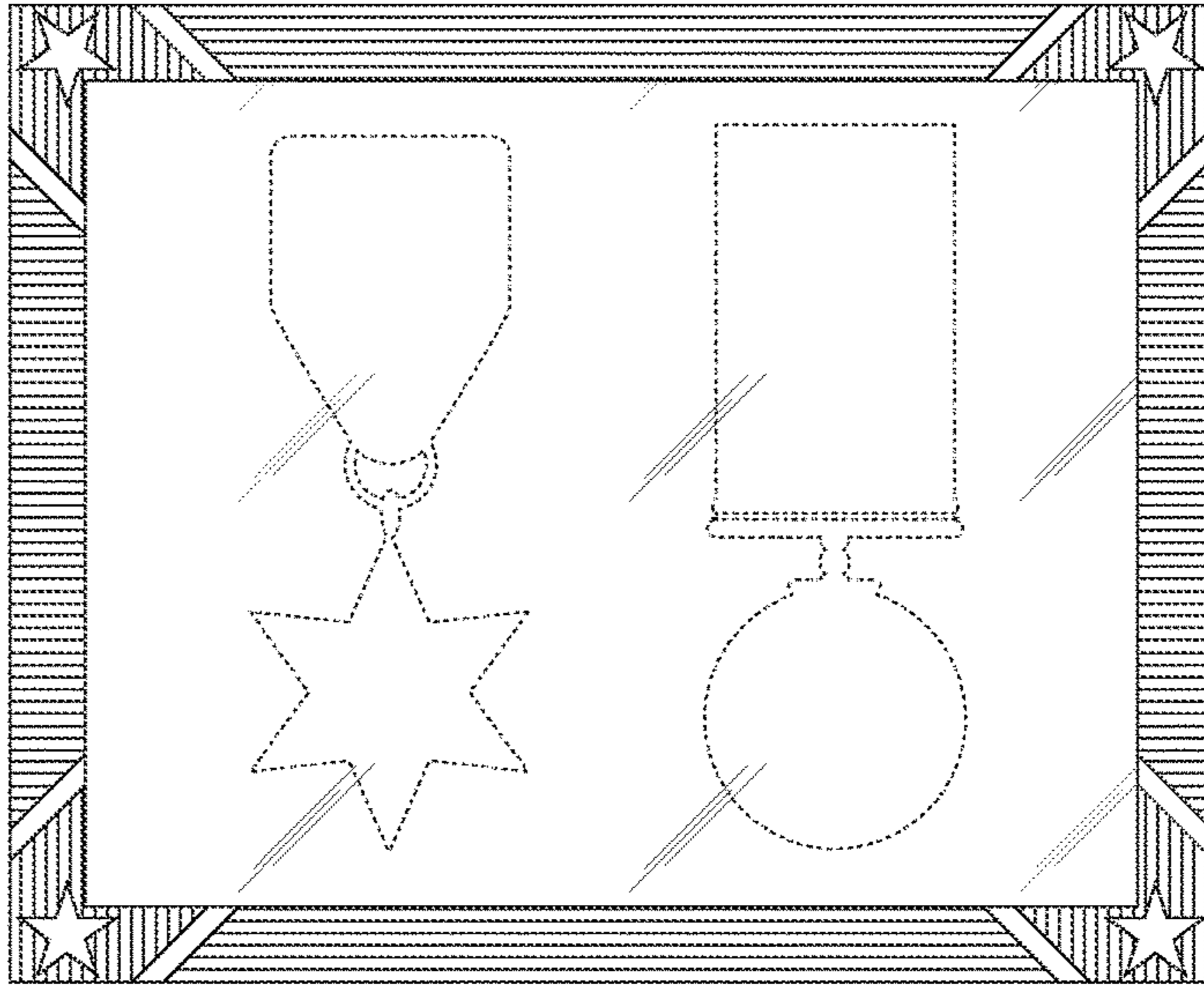


Fig. 4

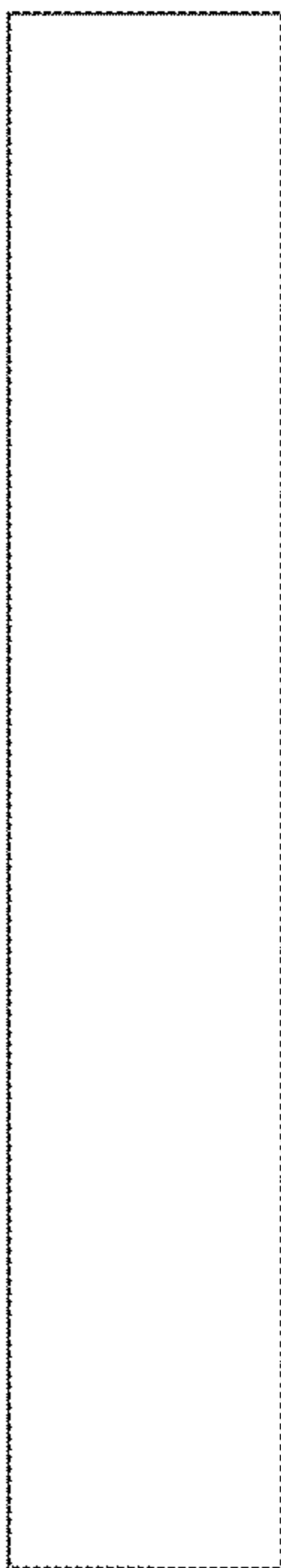


Fig. 6

