



US00D790258S

(12) **United States Design Patent**
McNair

(10) **Patent No.:** **US D790,258 S**
(45) **Date of Patent:** **** Jun. 27, 2017**

(54) **POCKETED LAMP TABLE COVER**

DESCRIPTION

- (71) Applicant: **Martha McNair**, Greece, NY (US)
- (72) Inventor: **Martha McNair**, Greece, NY (US)
- (**) Term: **15 Years**
- (21) Appl. No.: **29/585,773**
- (22) Filed: **Nov. 29, 2016**
- (51) **LOC (10) Cl.** **06-13**
- (52) **U.S. Cl.**
USPC **D6/610**
- (58) **Field of Classification Search**
USPC D6/610, 611, 596, 601-603, 615, 617,
D6/621, 401-405; D7/332, 334-337
CPC B60R 7/043; A45C 13/002
See application file for complete search history.

(56) **References Cited**

U.S. PATENT DOCUMENTS

- 2,061,302 A * 11/1936 Egler A47C 7/62
248/694
- 4,346,875 A 8/1982 Spencer et al.
- D417,117 S * 11/1999 Gerk D6/582
- D421,543 S * 3/2000 Rogman D6/610
- D425,100 S * 5/2000 Ross D16/306
- 6,381,812 B1 * 5/2002 Crider A47C 21/022
24/265 C

(Continued)

FOREIGN PATENT DOCUMENTS

- WO 9962386 12/1999
- Primary Examiner* — Katrina A Betton
- (74) *Attorney, Agent, or Firm* — Tracy Jong Law Firm;
Tracy P. Jong; Cheng Ning Jong

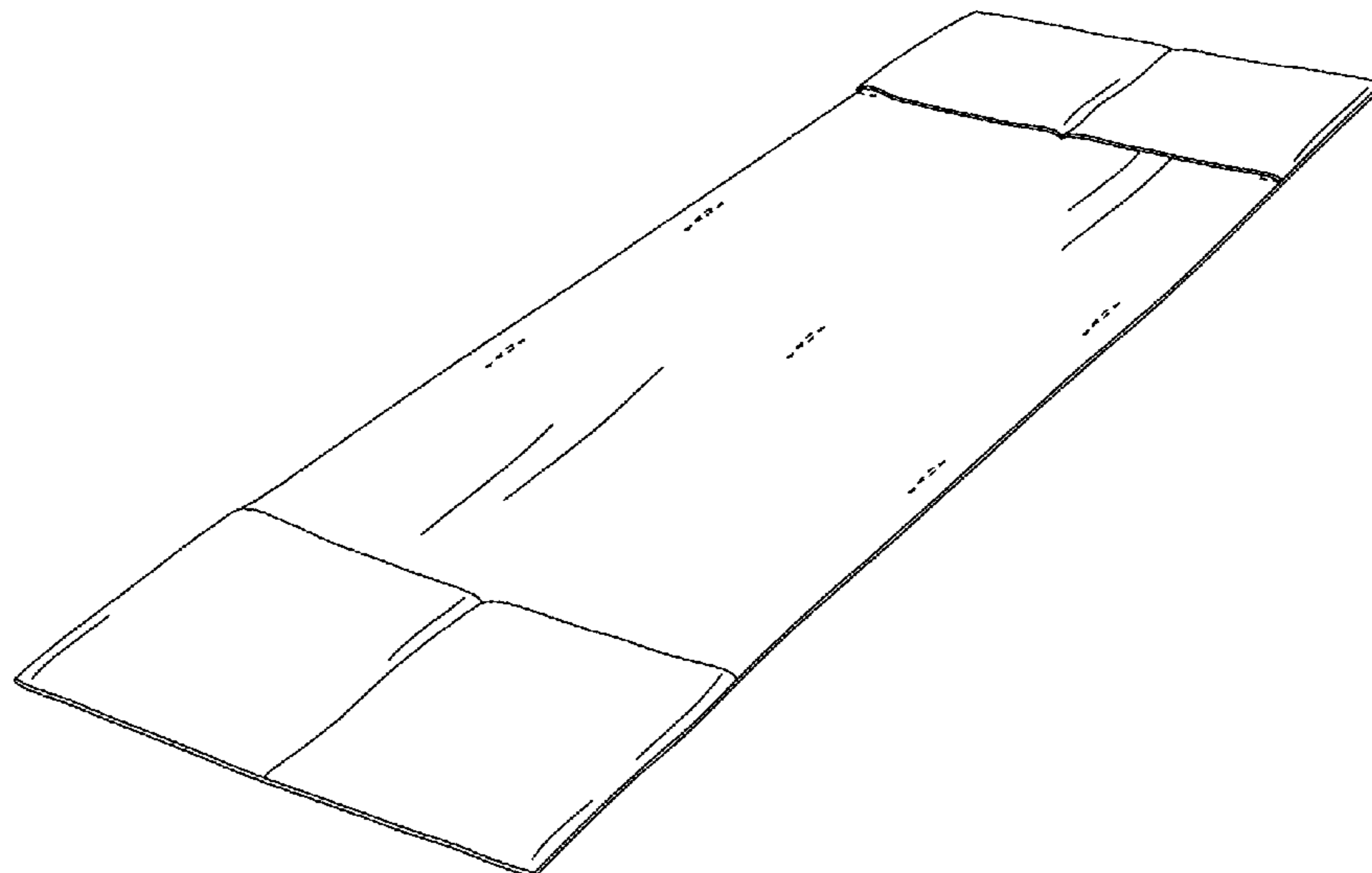
(57) **CLAIM**

The ornamental design for a pocketed lamp table cover, as shown and described.

FIG. 1 is a top perspective view of a pocketed lamp table cover.
 FIG. 2 is a bottom perspective view thereof.
 FIG. 3 is a top view thereof.
 FIG. 4 is a bottom view thereof.
 FIG. 5 is a right side view thereof.
 FIG. 6 is a left side view thereof.
 FIG. 7 is a front view thereof.
 FIG. 8 is a rear view thereof.
 FIG. 9 is a top side view of a pocketed lamp table cover disposed over a lamp table and secured with a suction cup through a slit.
 FIG. 10 is a top side view of a pocketed lamp table cover disposed over a lamp table and secured with four suction cups through four slits.
 FIG. 11 is a top side view of a pocketed lamp table cover disposed over the lamp table thereof with a lamp disposed over the pocketed lamp table cover.
 FIG. 12 is a top side view of a pocketed lamp table cover disposed over the lamp table thereof with a lamp disposed over the pocketed lamp table cover and a partially broken away pocket revealing a weight disposed within the pocket; and,
 FIG. 13 is a top side view of a pocketed lamp table cover disposed over a lamp table with a lamp disposed over the pocketed lamp table cover and an electrical connection through a hole into a pocket of the pocketed lamp table cover.

The lamp table shown in FIGS. 9-13, the lamp shown in FIGS. 11-13, the slits shown in FIGS. 1-4 and 9-13, the suction cup or cups shown in FIGS. 9-13, the stitchings shown in FIGS. 2, 4 and 13, the pocket access holes shown in FIGS. 2, 4 and 13, the electrical connection shown in FIG. 13, the television remote controller shown in FIGS. 9-11 and 13, the weight revealed in FIG. 12 and the broken lines shown throughout the views represent environmental features and the portions of the design that form no part of the claim.

1 Claim, 6 Drawing Sheets



(56)

References Cited

U.S. PATENT DOCUMENTS

6,609,626	B2 *	8/2003	Young	A45C 13/002	
						150/154
D492,114	S *	6/2004	Sulier	D3/315	
D596,890	S *	7/2009	Sulier	D6/610	
D674,646	S *	1/2013	Valenta	D6/610	
D699,054	S *	2/2014	Forlin	A47G 11/004	
						D6/610
D748,933	S *	2/2016	Wood	D6/610	
9,522,767	B1 *	12/2016	Pass	G09F 21/04	
2005/0230443	A1 *	10/2005	Bredeson	B60R 7/043	
						224/275
2009/0038516	A1	2/2009	Gerow			

* cited by examiner

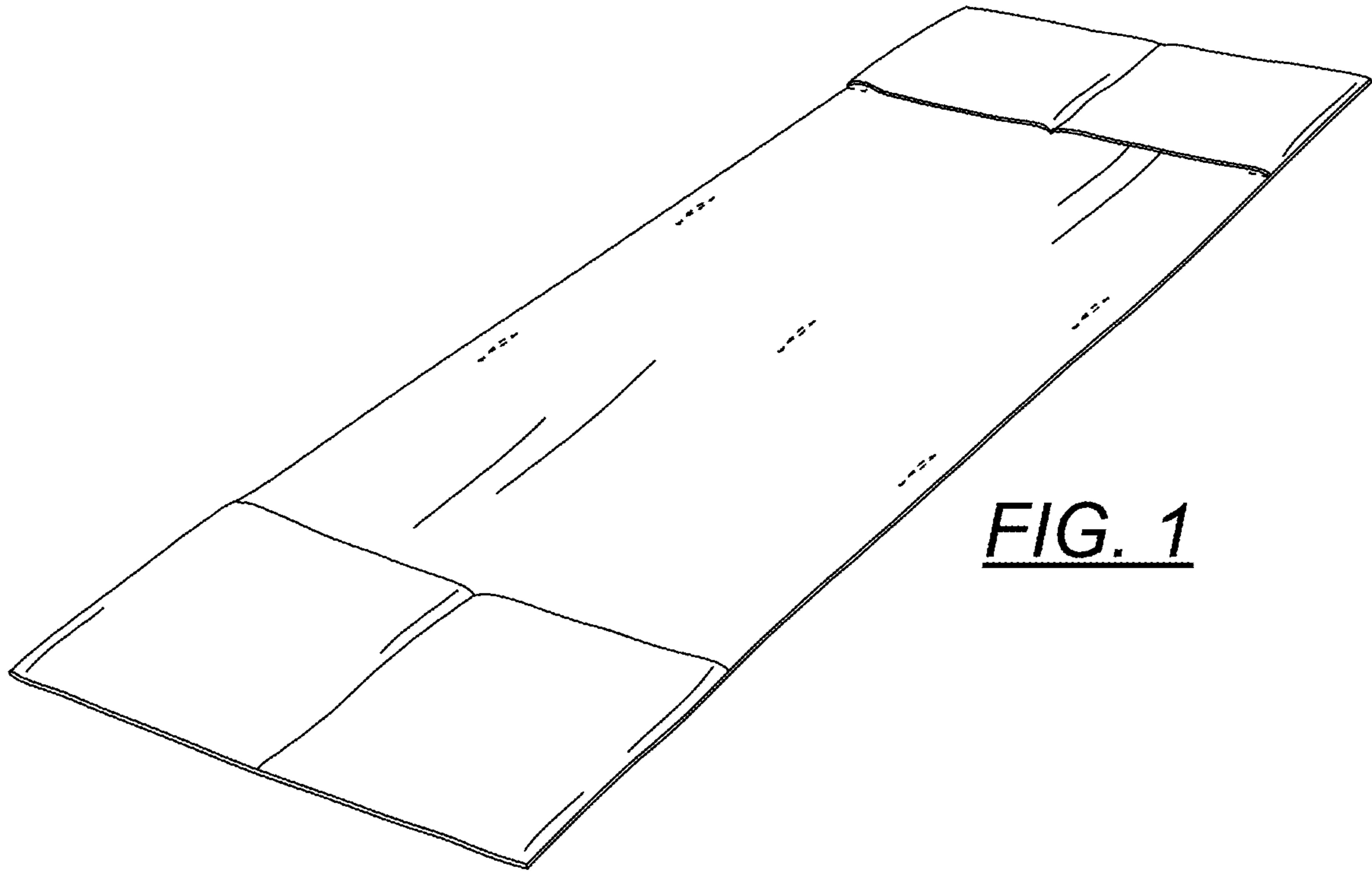


FIG. 1

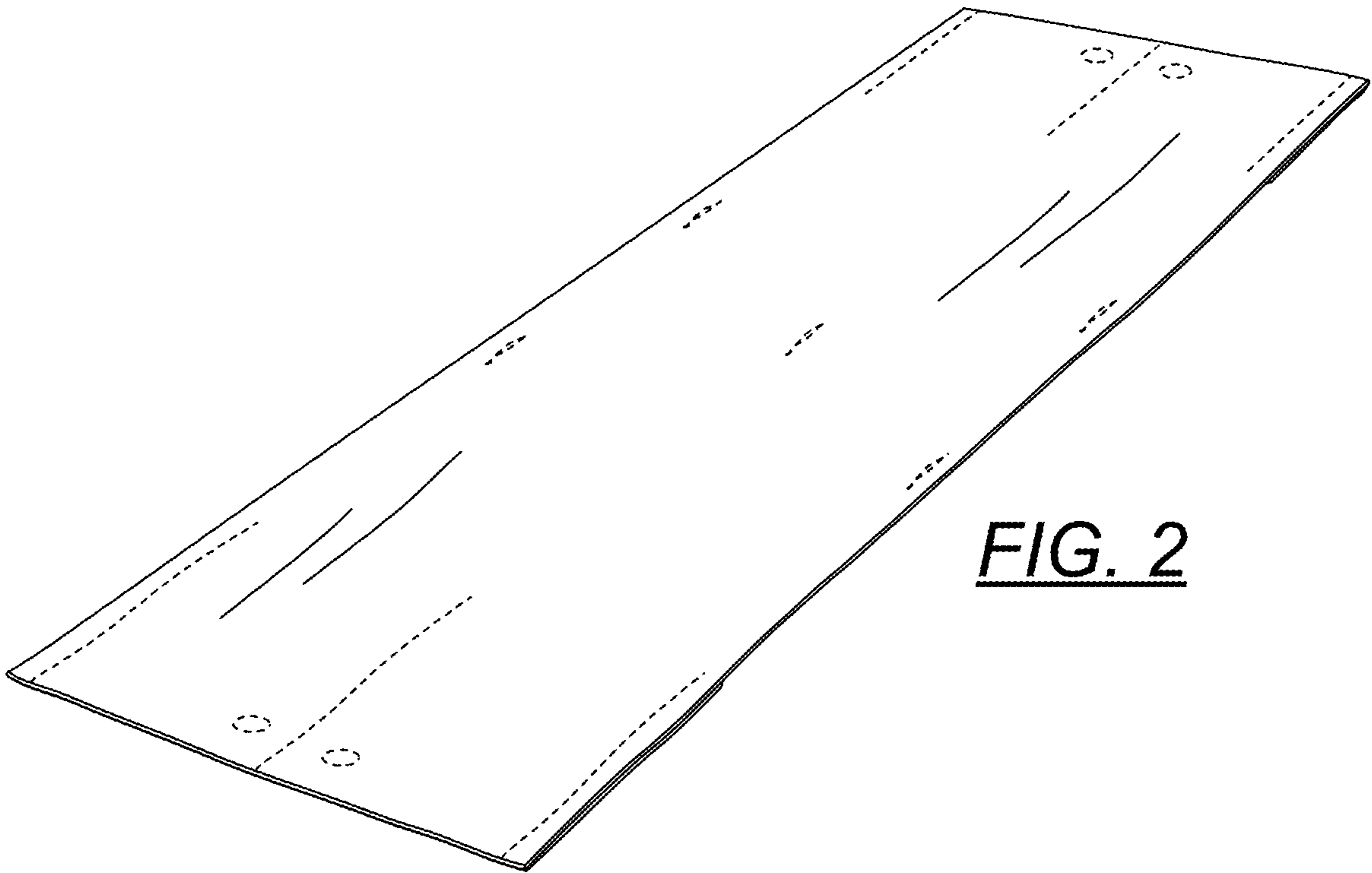


FIG. 2

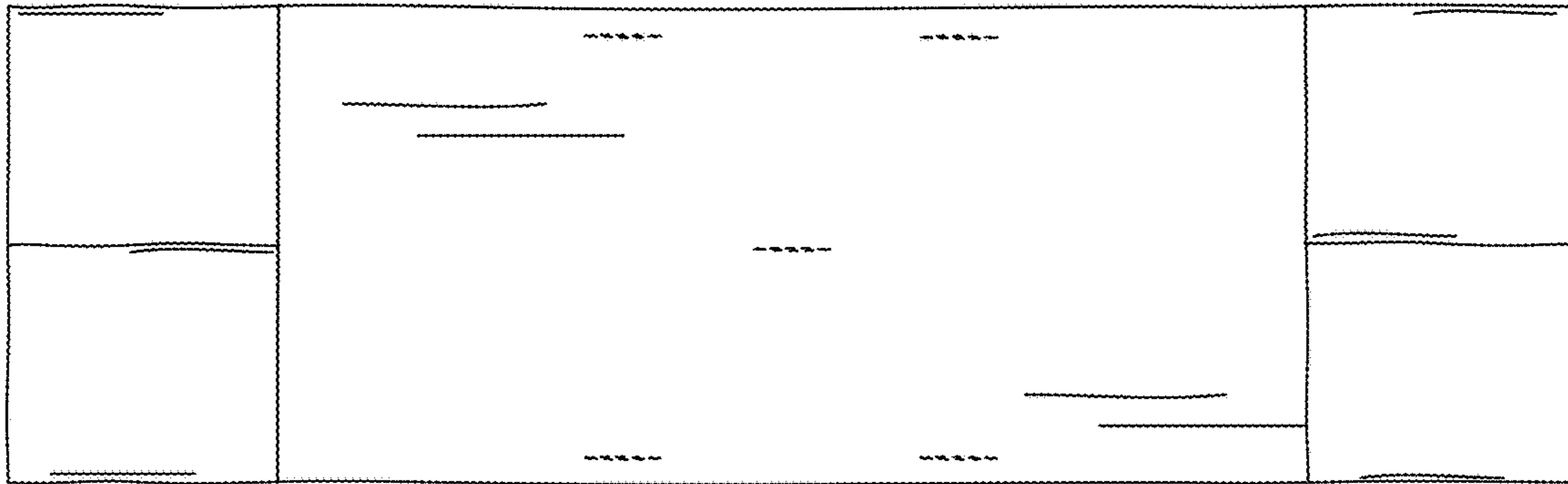


FIG. 3

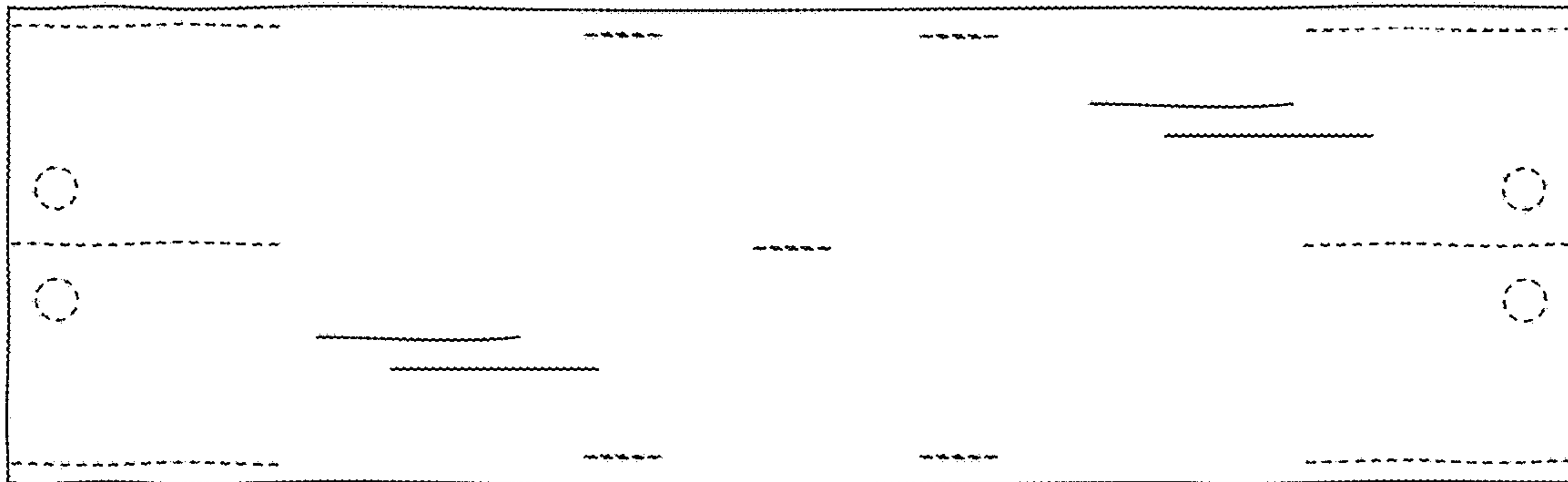


FIG. 4



FIG. 5



FIG. 6

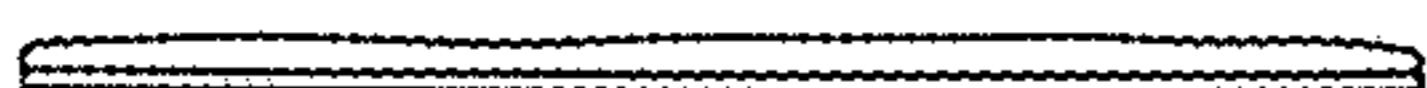


FIG. 7

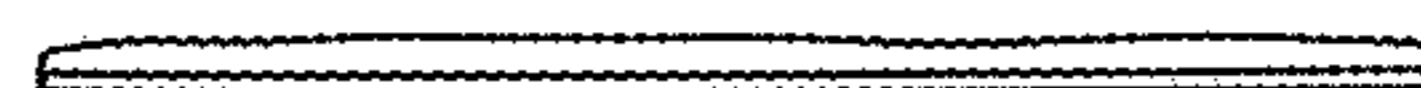


FIG. 8

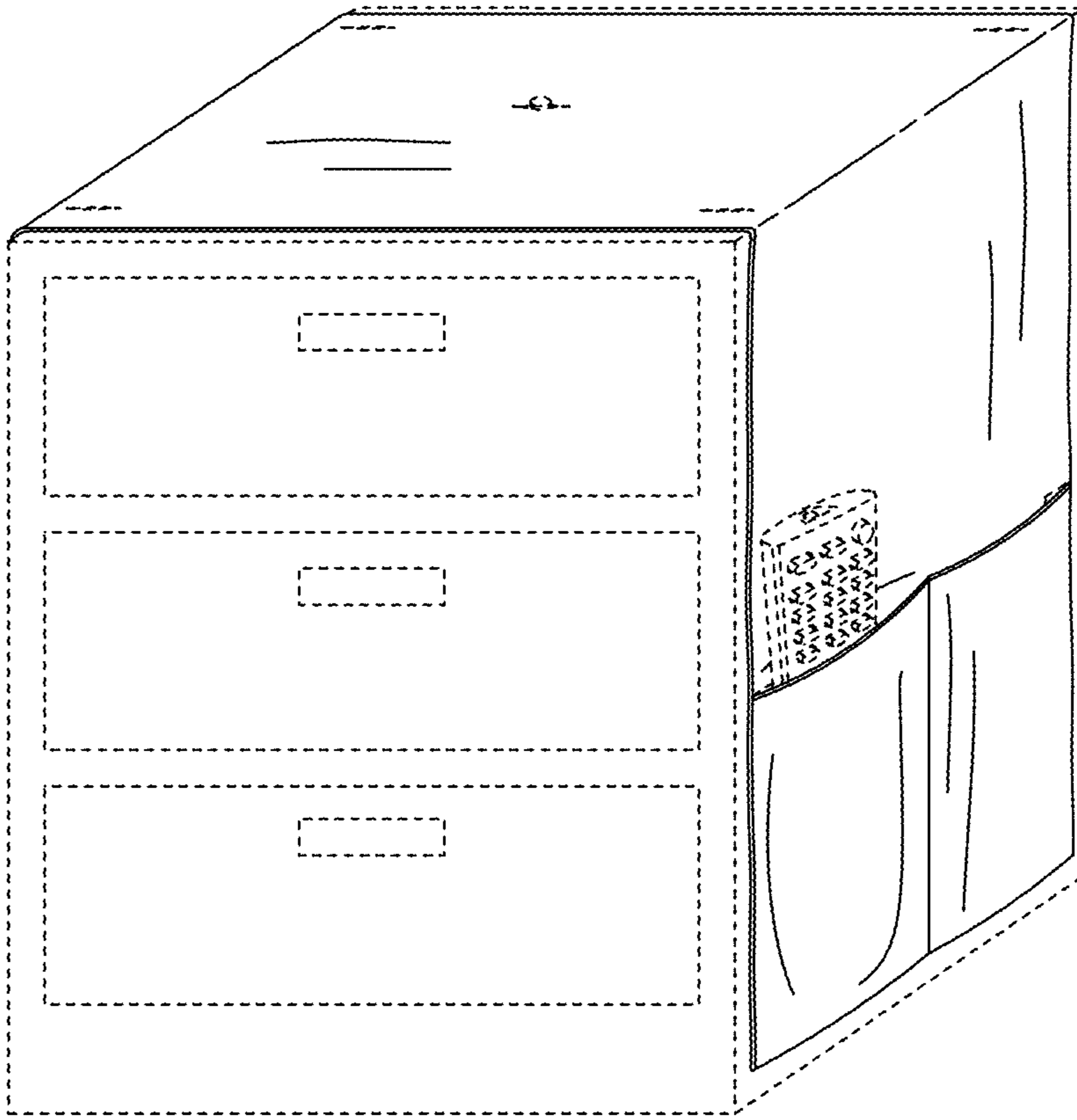


FIG. 9

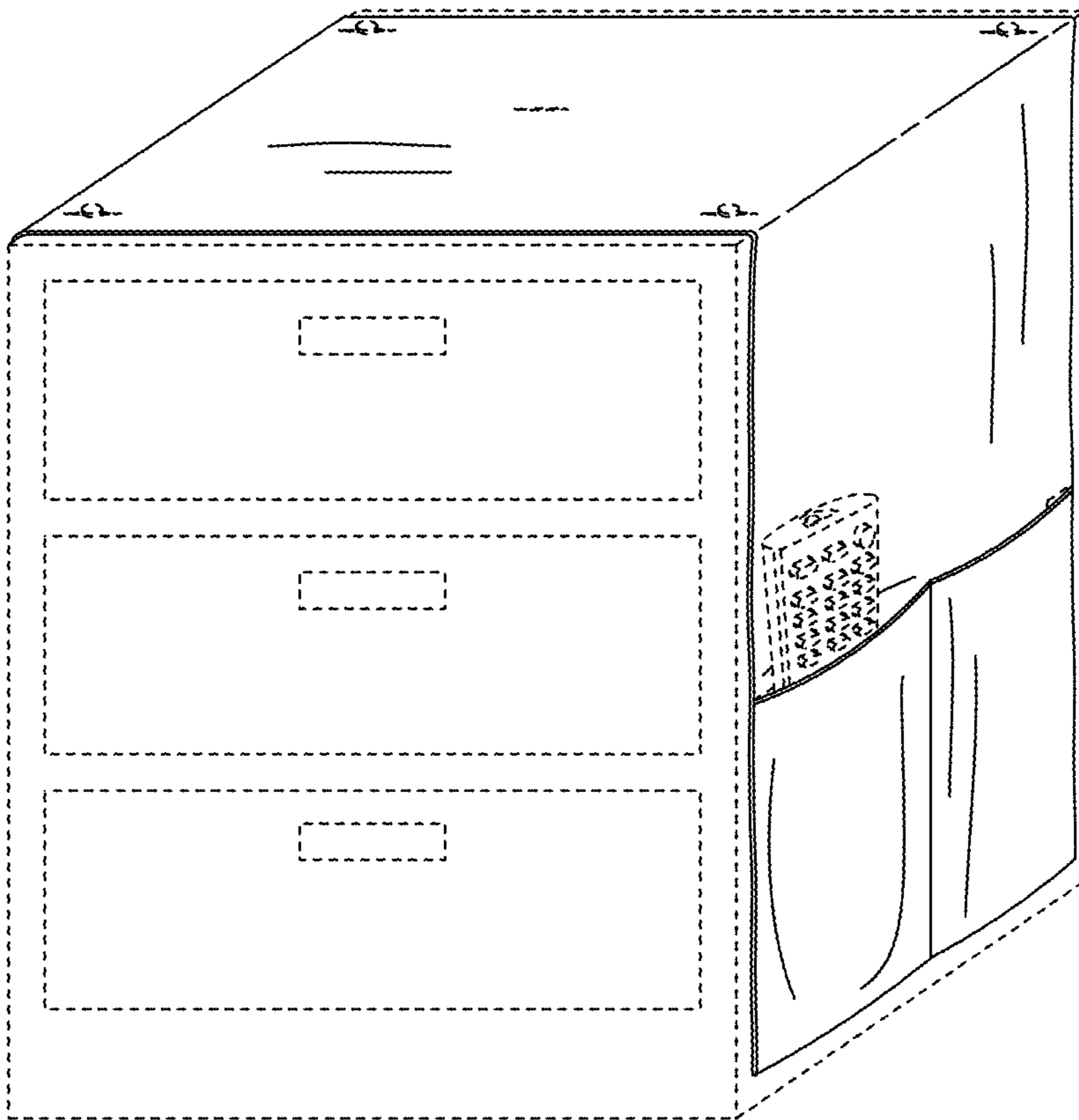


FIG. 10

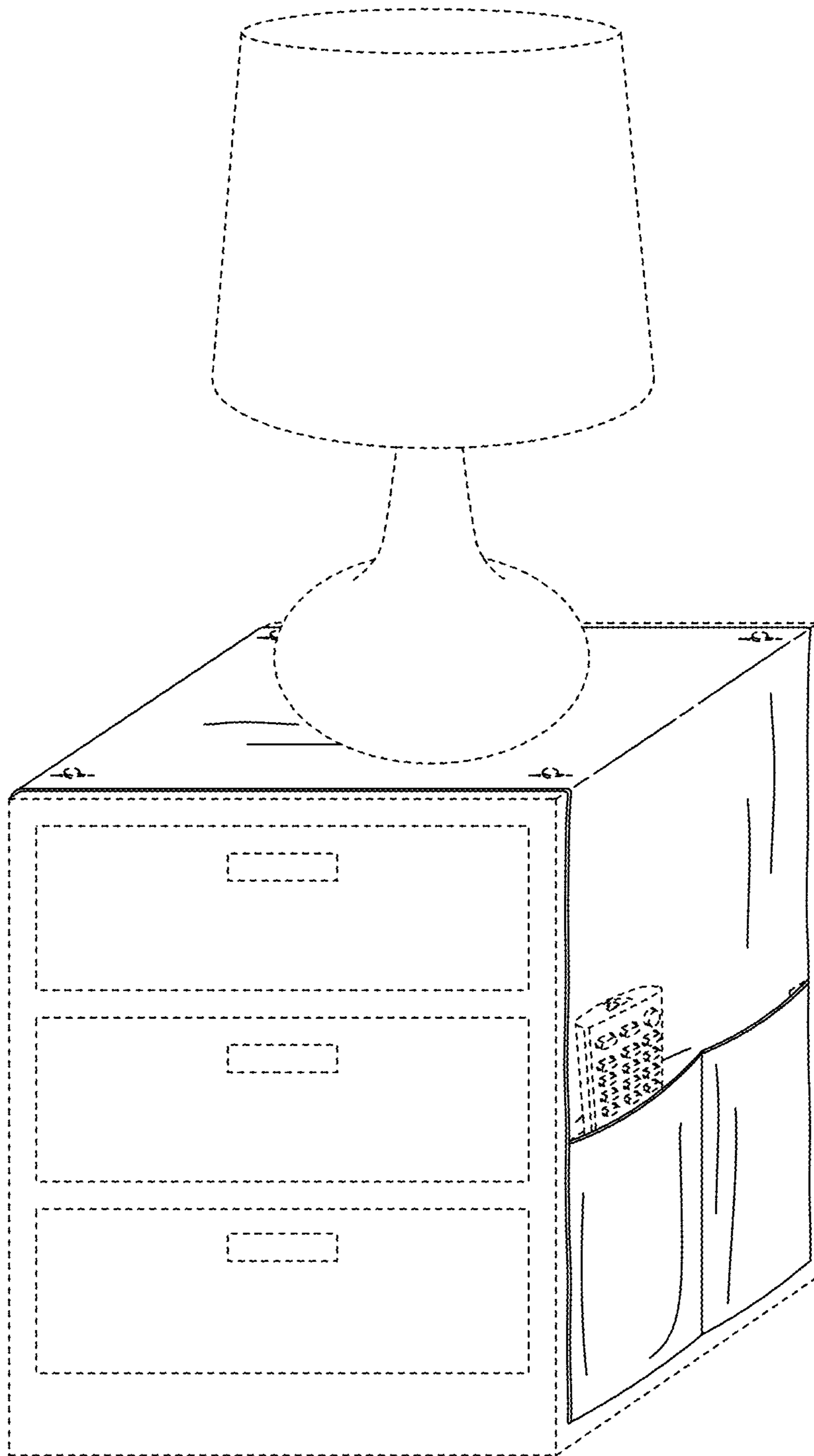


FIG. 11

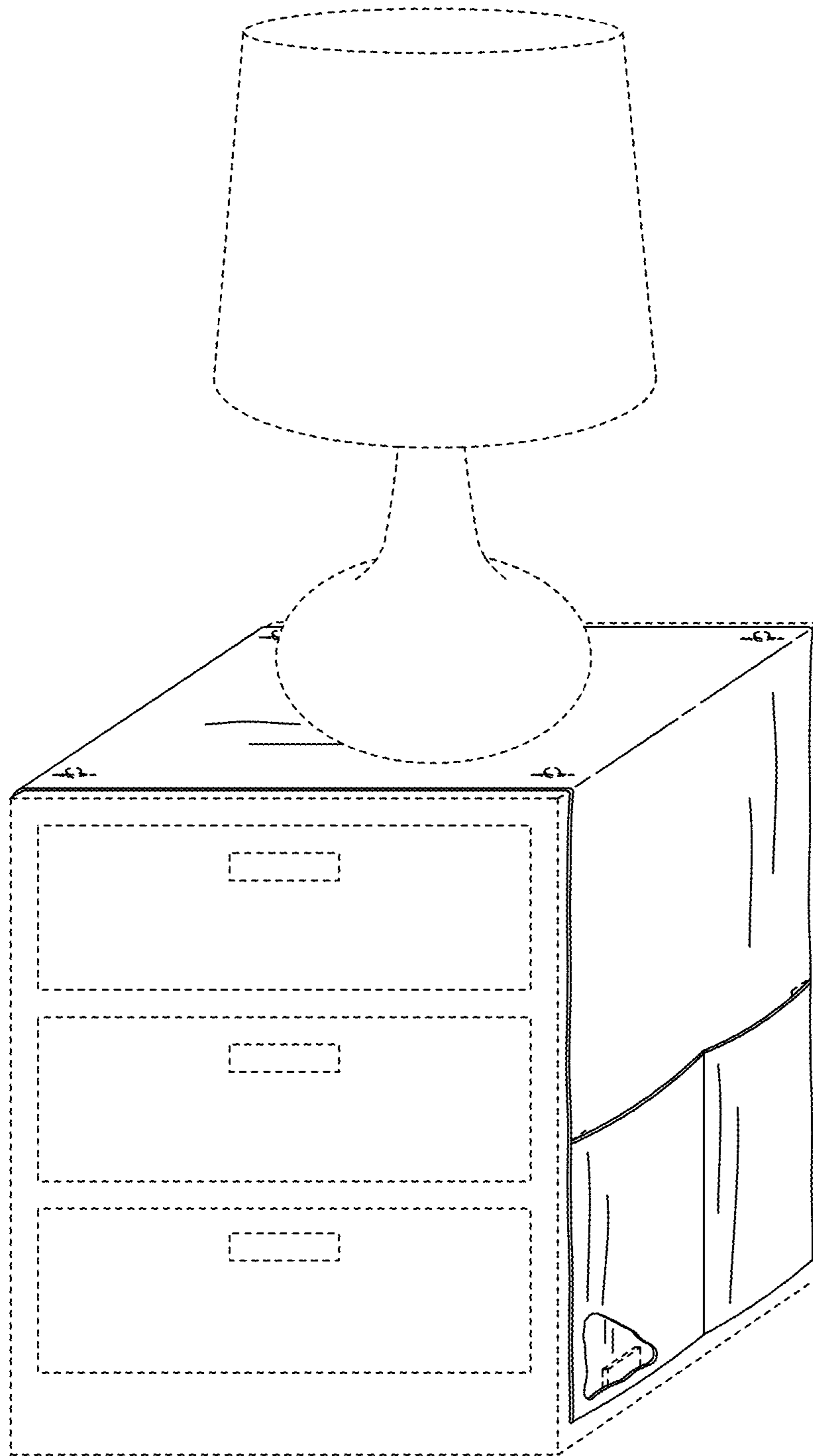


FIG. 12

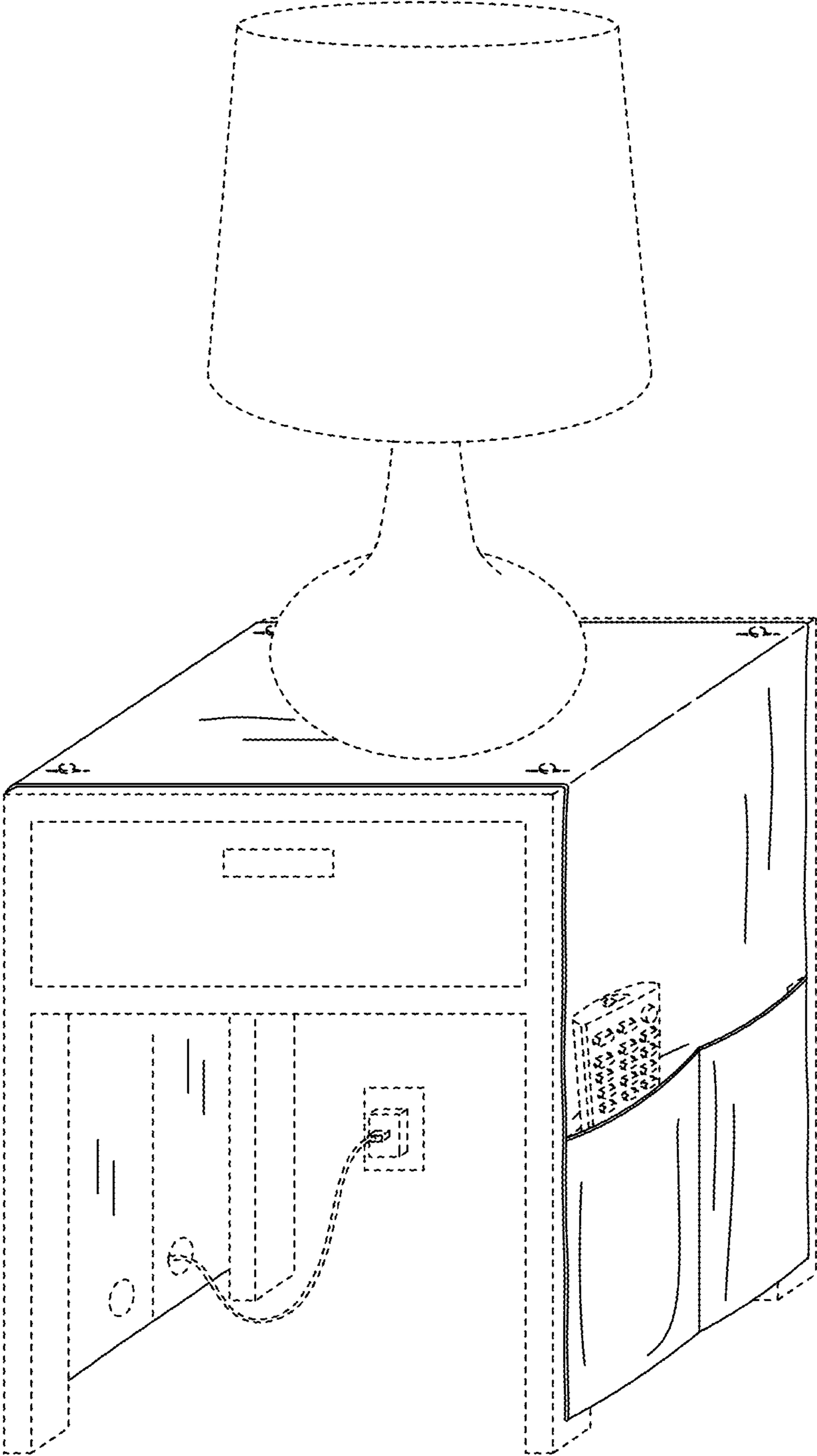


FIG. 13