



US00D790253S

(12) **United States Design Patent**
Zuber

(10) **Patent No.:** **US D790,253 S**

(45) **Date of Patent:** **** Jun. 27, 2017**

(54) **CIRCULAR PILLOW WITH BASE**

(71) Applicant: **Adam A. Zuber**, Fort Myers, FL (US)

(72) Inventor: **Adam A. Zuber**, Fort Myers, FL (US)

(**) Term: **15 Years**

(21) Appl. No.: **29/544,644**

(22) Filed: **Nov. 5, 2015**

(51) **LOC (10) Cl.** **06-09**

(52) **U.S. Cl.**
USPC **D6/601**

(58) **Field of Classification Search**

USPC D6/333, 349, 355, 375, 388, 512, 563,
D6/564, 595, 596, 601, 604, 611, 707,
D6/715, 716, 716.1; D24/183-185, 234;
D21/803, 804, 805, 809; 5/401, 420,
5/600, 630, 631, 632, 633, 635, 636, 638,
5/639, 646, 652, 652.1, 655, 703, 730;
297/1, 2, 4, 93, 180.11, 195.1, 195.11,
297/195.13, 393, 397, 452.12, 452.14,
297/452.15, 452.21, 452.24, 452.26,
297/452.48, 452.62, 482
CPC A47G 9/10; A47G 9/1009; A47G 9/1027;
A47G 9/1045; A47G 9/1063; A47G
9/1072; A47G 9/1081

See application file for complete search history.

(56) **References Cited**

U.S. PATENT DOCUMENTS

D15,790 S * 2/1885 Hofmann D6/716.1
RE17,607 E 2/1930 Lange
D110,708 S * 8/1938 Nelson D6/716.1
D172,633 S * 7/1954 Niemann D6/349
D255,743 S * 7/1980 Randall D6/596
D273,967 S * 5/1984 Budde D21/825
D274,286 S * 6/1984 Budde D21/825
D277,719 S * 2/1985 Spaneas D6/596
4,516,767 A * 5/1985 Eskijian A63B 5/11
482/27

4,688,285 A 8/1987 Roberts
4,830,345 A * 5/1989 Mar A47C 7/14
248/624
5,003,653 A * 4/1991 Mar A47C 3/16
250/441.11
D335,060 S * 4/1993 Dial D6/604
D355,077 S * 2/1995 Tegner D30/118
D367,789 S * 3/1996 Barile D6/716.1
D370,038 S * 5/1996 Wright D21/671
5,634,223 A * 6/1997 Obermaier A47C 7/021
297/452.41
D382,372 S * 8/1997 Castro D29/124
D397,879 S * 9/1998 Hutton D6/349
5,933,890 A 8/1999 Codd

(Continued)

FOREIGN PATENT DOCUMENTS

JP 2003-339504 12/2003

OTHER PUBLICATIONS

Mushroom-button-plugs, announced unknown, [online], [site visited Apr. 27, 2017]. Available from Internet, <URL: <http://store.craft-wood.com/buttons-plugs/mushroom-button-plugs>>.*

Primary Examiner — Eric Goodman

Assistant Examiner — Sanjeev Paul

(74) *Attorney, Agent, or Firm* — Livingston Loeffler, P.A.; Edward M. Livingston, Esq.; Bryan L. Loeffler, Esq.

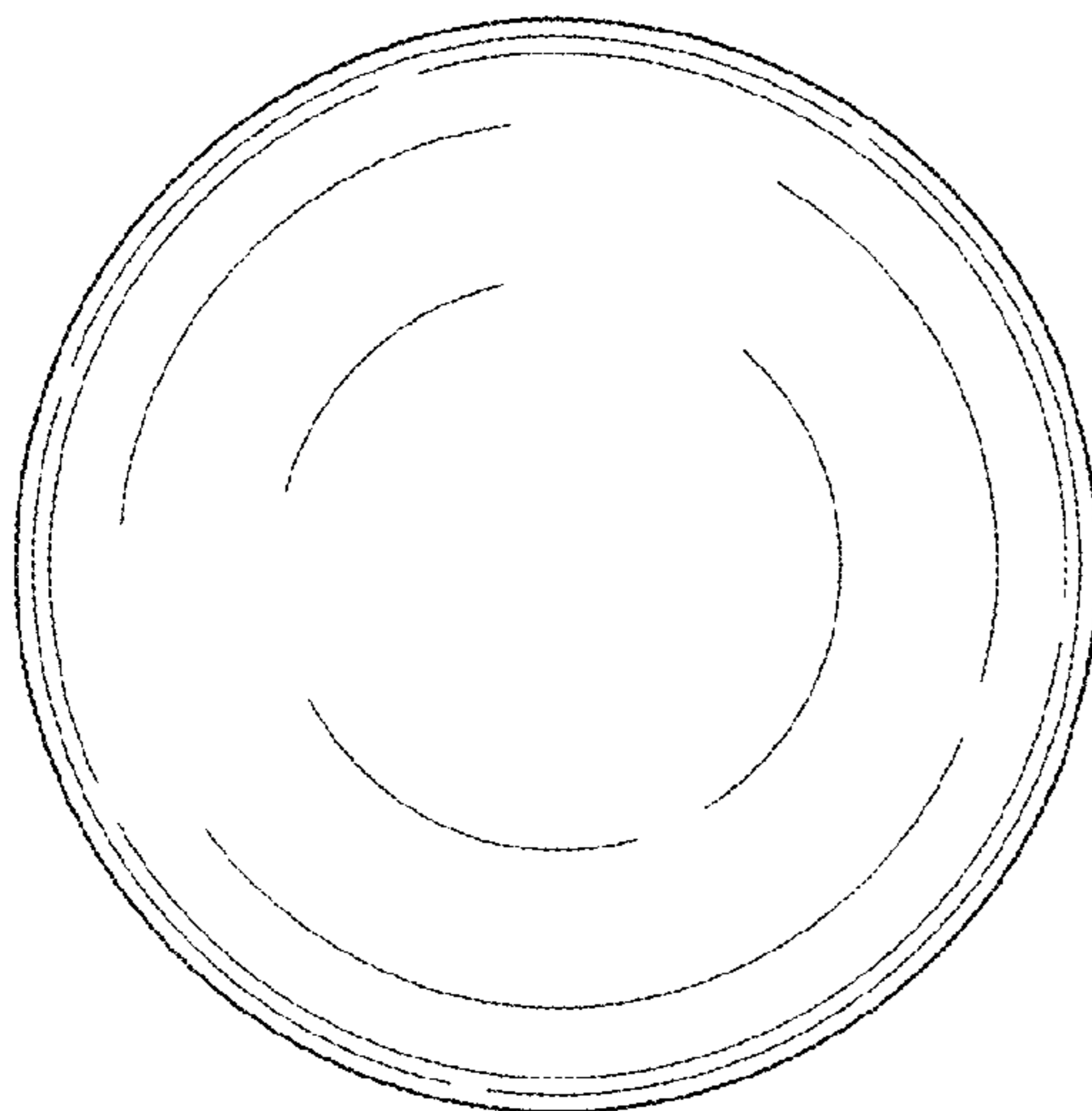
(57) **CLAIM**

The ornamental design for a circular pillow with base, as shown and described.

DESCRIPTION

FIG. 1 is a top view of a circular pillow with base of the present invention;
FIG. 2 is a bottom view of the circular pillow with base of the present invention; and,
FIG. 3 is a side view of the circular pillow with base of the present invention.

1 Claim, 1 Drawing Sheet



(56)

References Cited

U.S. PATENT DOCUMENTS

D478,454 S * 8/2003 Bibb D6/601
6,745,418 B1 6/2004 Turner, Jr.
D508,183 S * 8/2005 Lambden D20/19
6,966,088 B1 11/2005 Hu
7,159,940 B1 * 1/2007 Atkins A47C 3/18
297/240
D553,414 S * 10/2007 Boutin D6/601
D560,412 S * 1/2008 Fuchs D6/601
D575,566 S 8/2008 Berke et al.
D583,180 S * 12/2008 Haile D6/601
D588,392 S * 3/2009 Yang D6/601
D634,384 S * 3/2011 Song D21/769
D648,578 S * 11/2011 Gasser D6/716
D650,462 S * 12/2011 Parten D21/803
8,176,586 B2 5/2012 Berke et al.
D725,942 S * 4/2015 Rieber A47C 16/02
D6/601
D729,545 S * 5/2015 Blumenthal D6/601
2015/0351559 A1 * 12/2015 Gowaty A47D 13/08
5/655

* cited by examiner

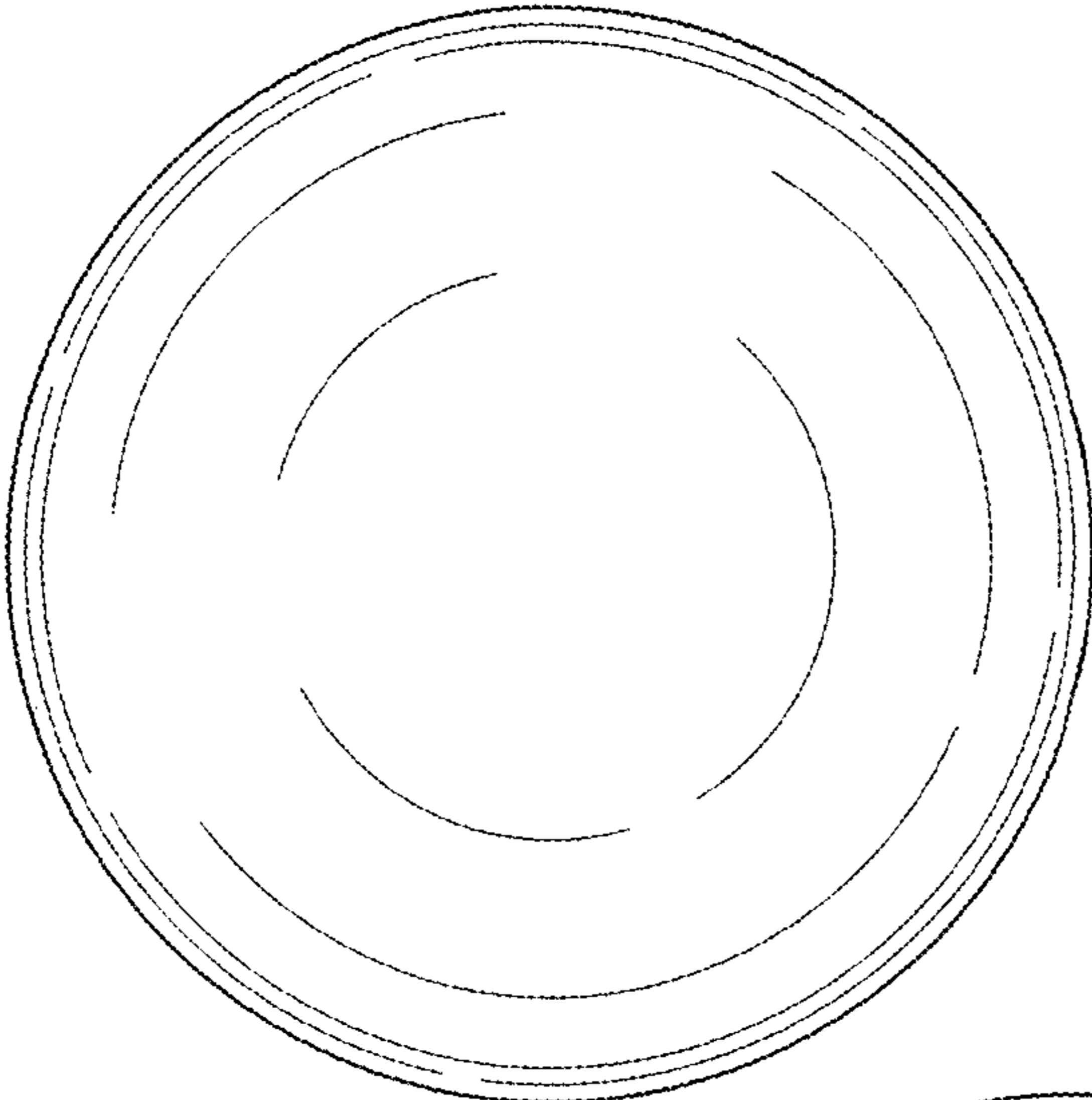


FIG 1

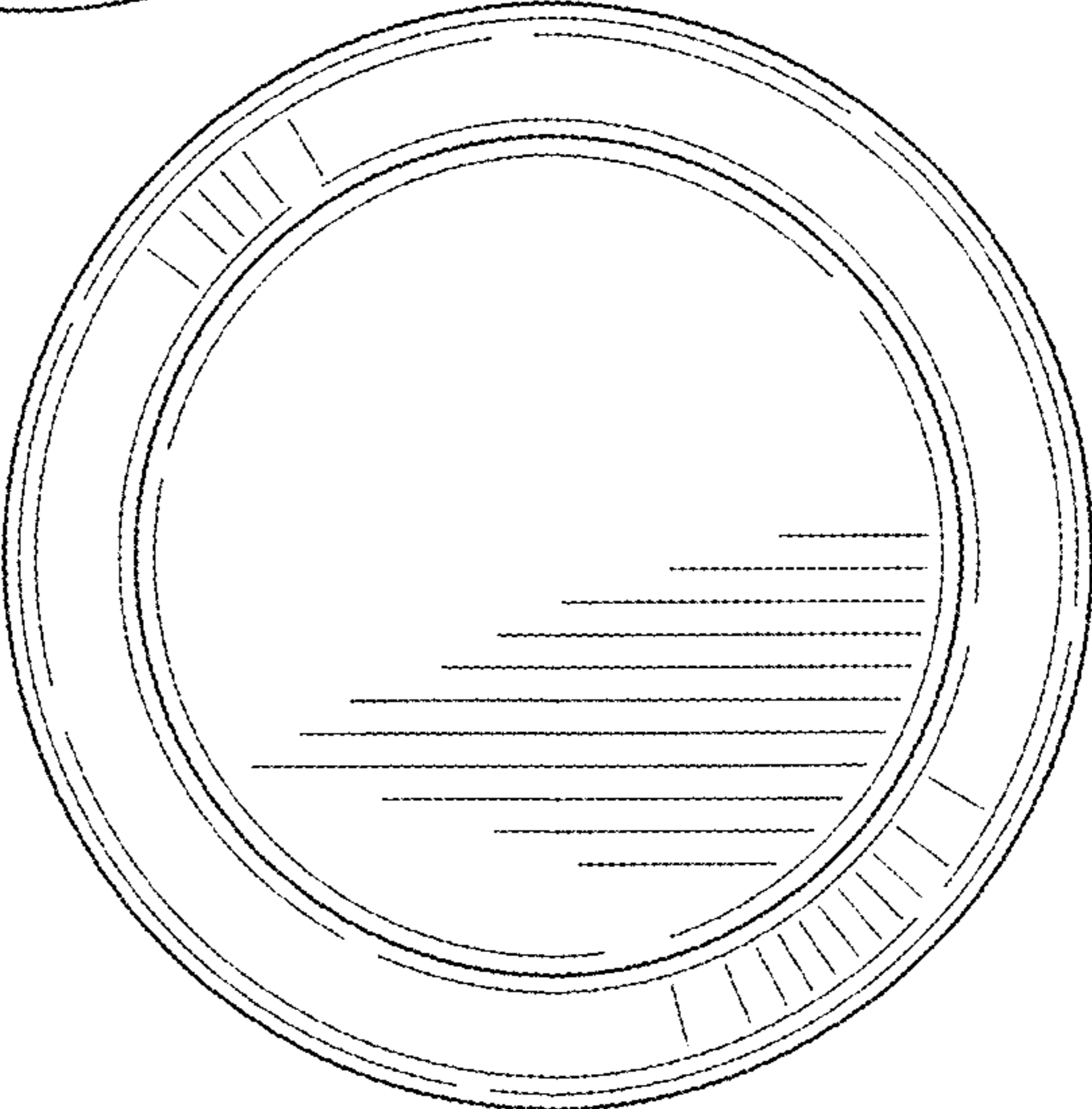


FIG 2



FIG 3